



US00D420928S

United States Patent [19] Spiller

[11] **Patent Number: Des. 420,928**

[45] **Date of Patent: ** Feb. 22, 2000**

[54] **PARKING STALL BUMPER WITH COVER**

[76] Inventor: **David V. Spiller**, 3615 Longridge Ave.,
Sherman Oaks, Calif. 91423

[**] Term: **14 Years**

[21] Appl. No.: **29/104,188**

[22] Filed: **Apr. 30, 1999**

[51] **LOC (7) Cl. 10-05**

[52] **U.S. Cl. D10/113**

[58] **Field of Search D10/104, 109,
D10/111, 113; 404/4-16**

[56] **References Cited**

U.S. PATENT DOCUMENTS

- D. 178,695 9/1956 Robbins D10/113
- D. 348,230 6/1994 Shairba D10/113

Primary Examiner—Marcus A. Jackson
Attorney, Agent, or Firm—Kelly Bauersfeld Lowry &
Kelley, LLP.

[57] **CLAIM**

The ornamental design for a parking stall bumper with cover, as shown.

DESCRIPTION

FIG. 1 is a perspective view showing the top, front and side of a parking stall bumper with cover embodying the new design.

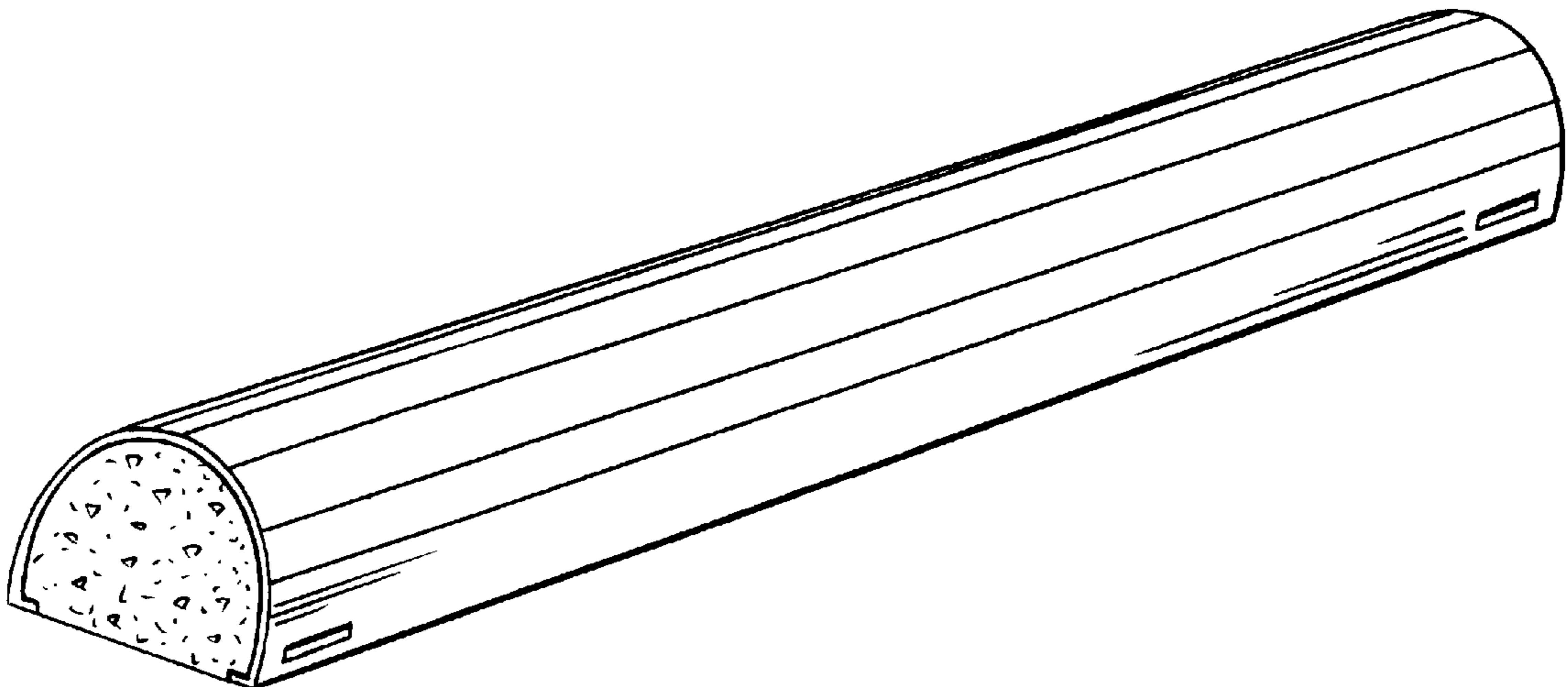
FIG. 2 is a side elevational view thereof;

FIG. 3 is a front elevational view thereof;

FIG. 4 is a top plan view thereof; and,

FIG. 5 is a bottom plan view thereof.

1 Claim, 1 Drawing Sheet



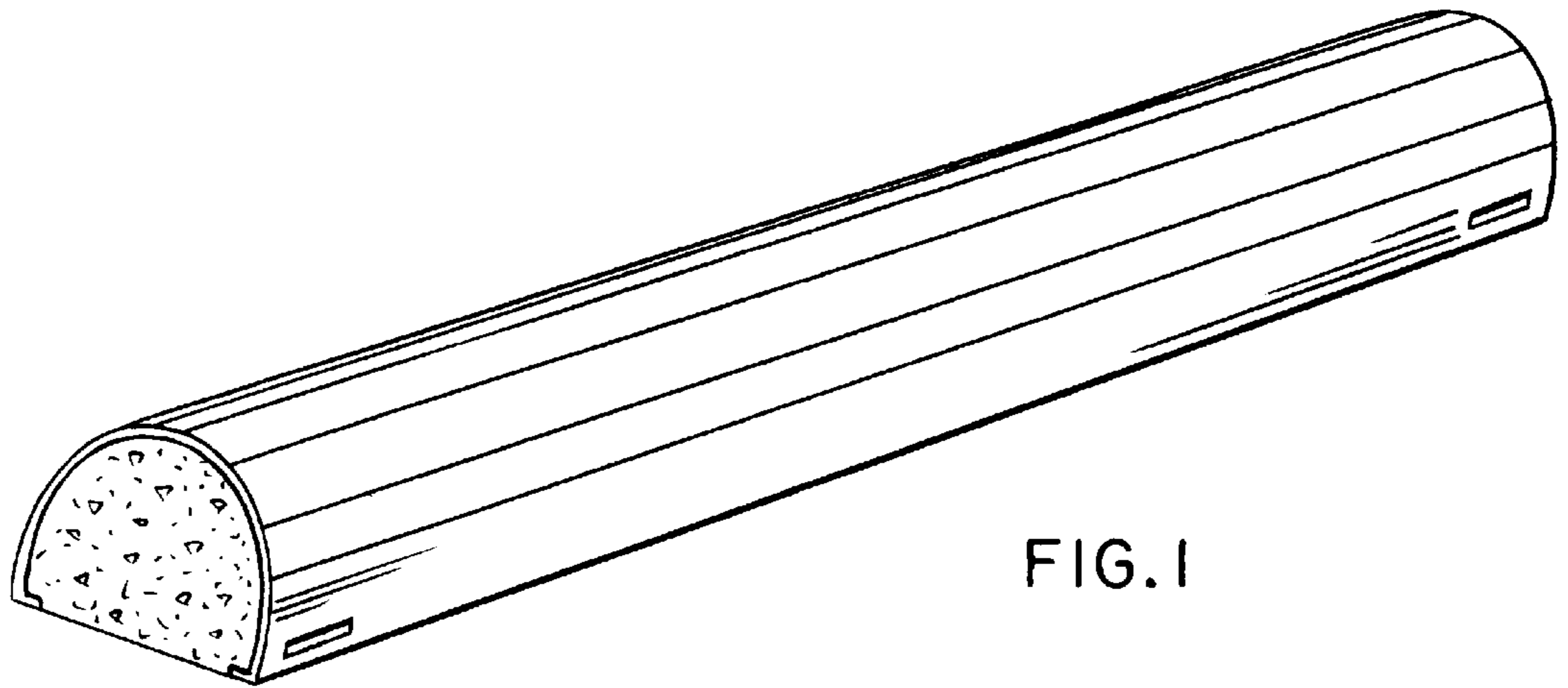


FIG. 1

FIG. 2

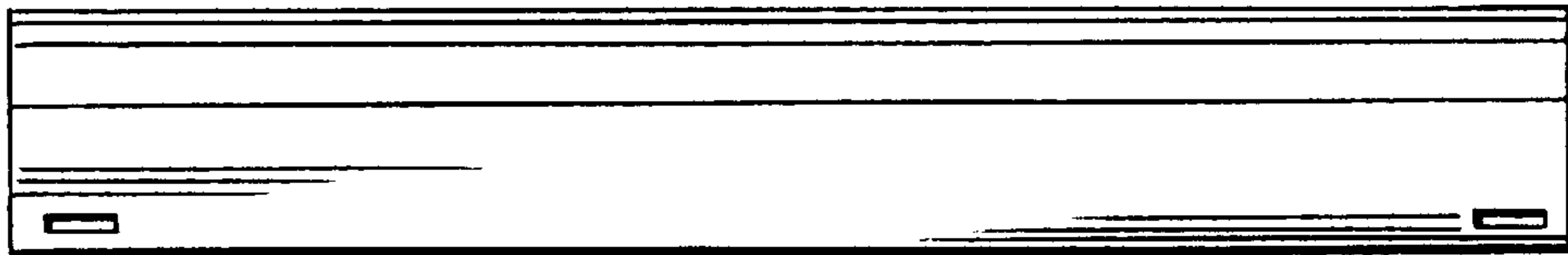
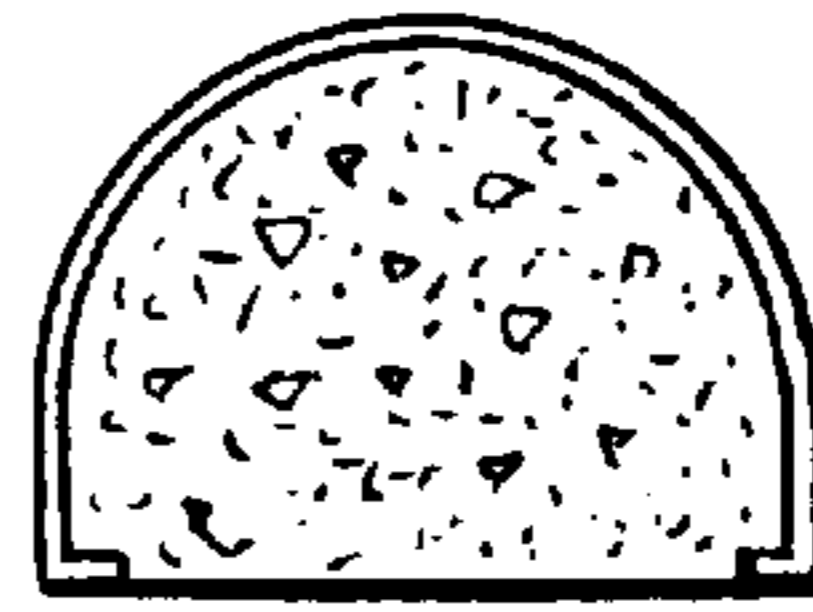


FIG. 3

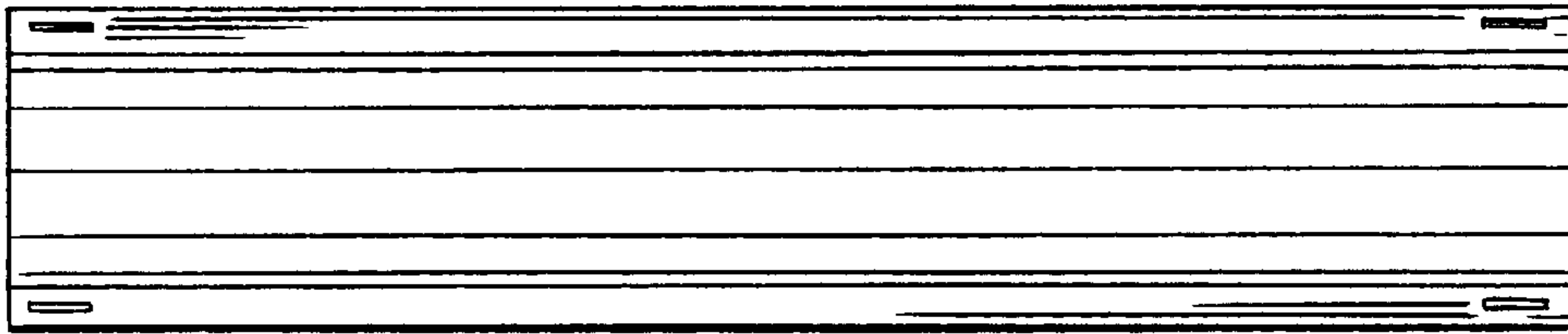


FIG. 4

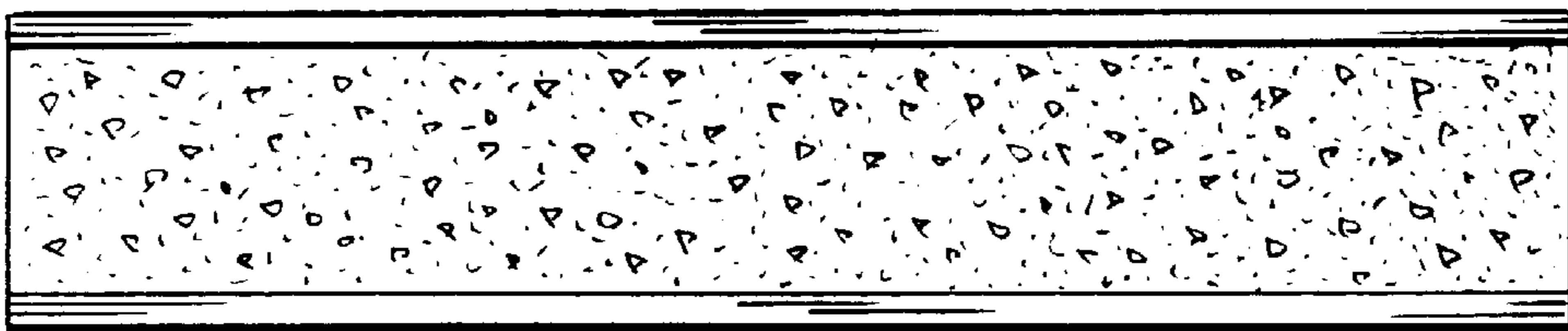


FIG. 5