



US00D420926S

United States Patent [19] Davis

[11] **Patent Number: Des. 420,926**

[45] **Date of Patent: ** Feb. 22, 2000**

[54] **TAPE MEASURE**

[75] Inventor: **Richard E. Davis**, Pasadena, Calif.

[73] Assignee: **Olympia Industrial, Inc.**, City of Industry, Calif.

[**] Term: **14 Years**

[21] Appl. No.: **29/092,852**

[22] Filed: **Aug. 27, 1998**

4,603,481	8/1986	Cohen et al.	33/768
4,760,648	8/1988	Doak et al.	33/760
4,930,227	6/1990	Ketchpal	33/758
5,319,805	6/1994	Holcomb et al.	33/761 X

Primary Examiner—Antoine Duval Davis
Attorney, Agent, or Firm—James E. Brunton

[57] CLAIM

The ornamental design for a “tape measure,” as shown and described.

DESCRIPTION

FIG. 1 is a top plan view of a tape measure showing my new design;

FIG. 2 is a side-elevational view thereof;

FIG. 3 is a front view thereof;

FIG. 4 is an enlarged fragmentary view of the portion identified in FIG. 1 by the numeral 4—4.

The broken line showing is for illustrative purposes only and forms no part of the claimed design.

Related U.S. Application Data

[63] Continuation-in-part of application No. 29/060,518, Sep. 30, 1996, Pat. No. Des. 397,626.

[51] **LOC (7) Cl.** **10-04**

[52] **U.S. Cl.** **D10/74**

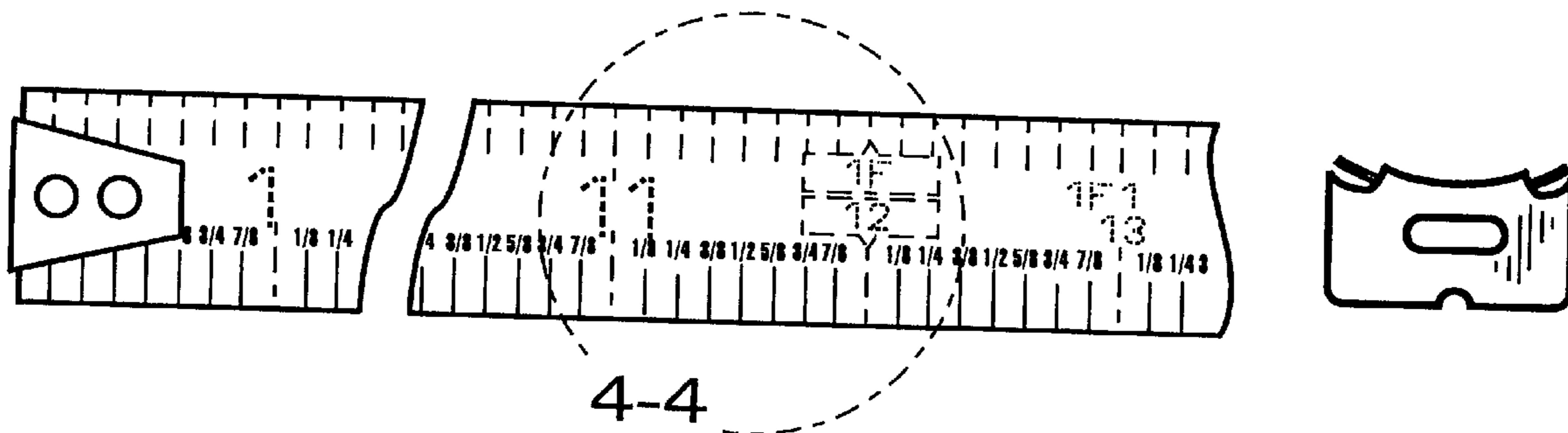
[58] **Field of Search** D10/72, 74; 33/755-770

[56] References Cited

U.S. PATENT DOCUMENTS

D. 398,868 9/1998 Taylor D10/65

1 Claim, 1 Drawing Sheet



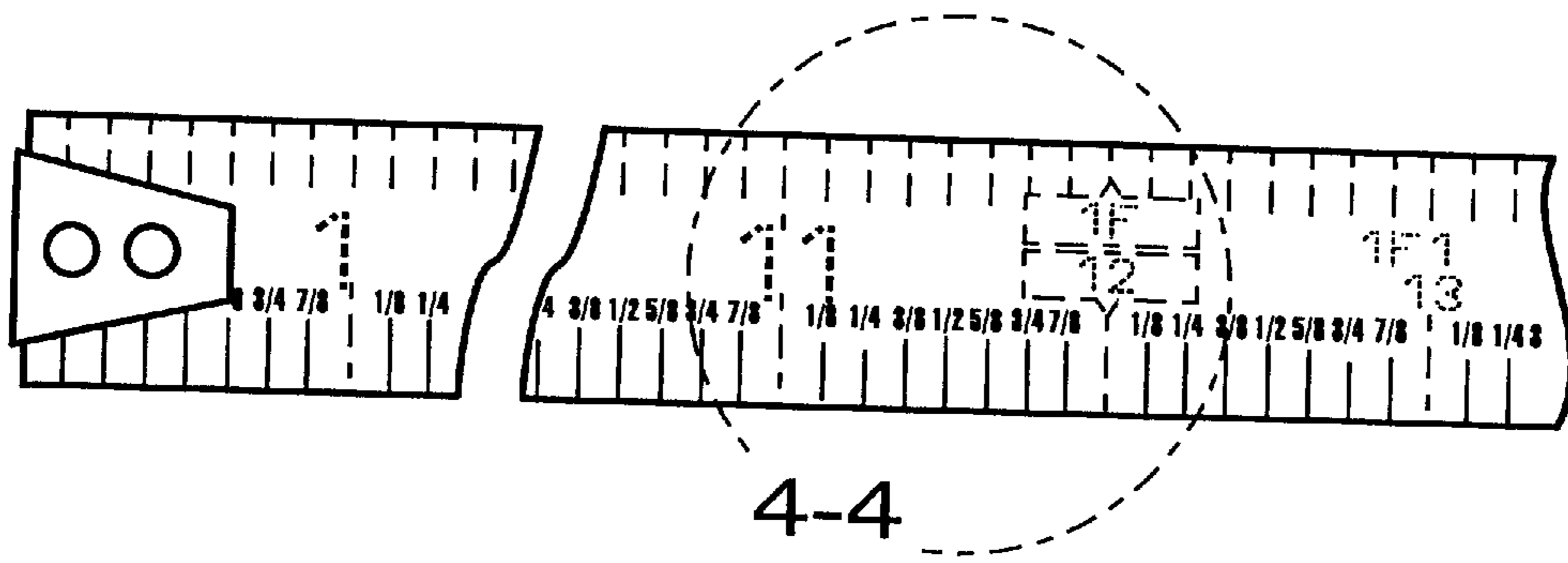


FIGURE 1

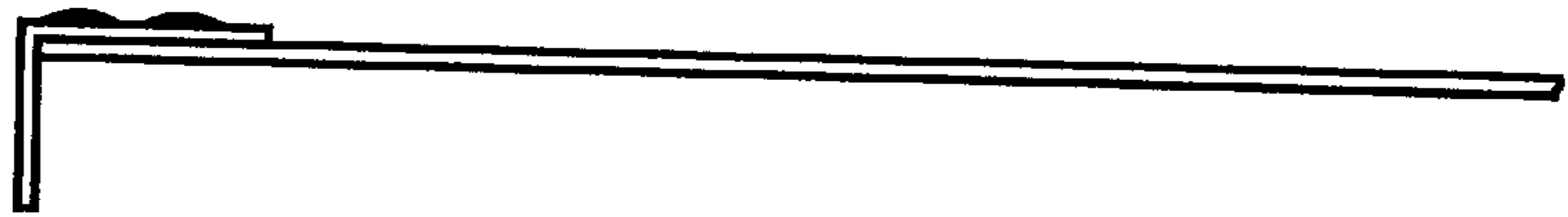


FIGURE 2



FIGURE 3

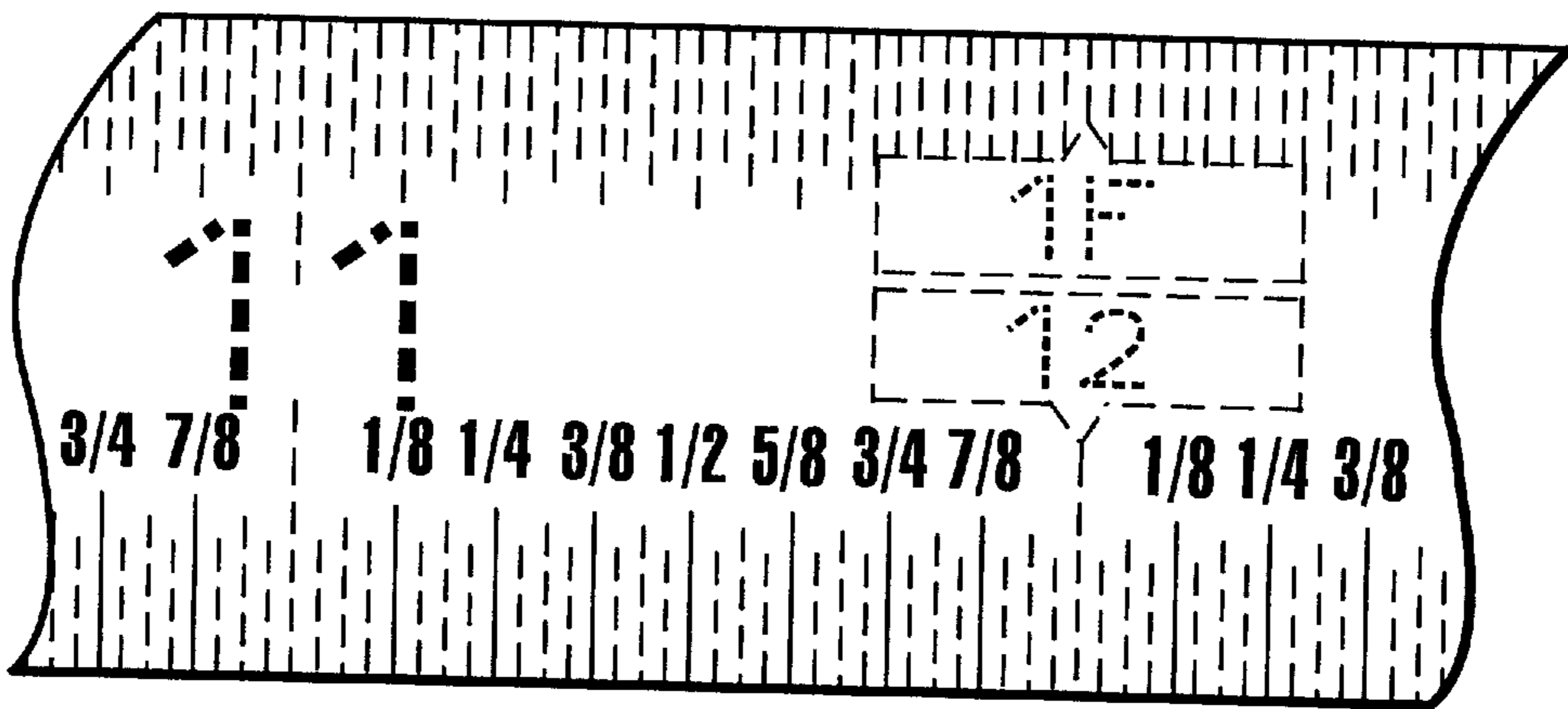


FIGURE 4