



US00D420925S

United States Patent [19]
Lin

[11] **Patent Number: Des. 420,925**

[45] **Date of Patent: ** Feb. 22, 2000**

[54] **MEASURING TAPE**

[75] **Inventor: Henry Lin, Taipei, Taiwan**

[73] **Assignee: Index Measuring Tape Co., Ltd., Taipei, Taiwan**

[**] **Term: 14 Years**

[21] **Appl. No.: 29/106,693**

[22] **Filed: Jun. 22, 1999**

[51] **LOC (7) Cl. 10-04**

[52] **U.S. Cl. D10/72**

[58] **Field of Search D10/72; 33/755-769**

[56] **References Cited**

U.S. PATENT DOCUMENTS

- D. 360,838 8/1995 Lin D10/72
- D. 373,090 8/1996 Bennett D10/72
- D. 376,546 12/1996 Lin D10/72
- D. 410,202 5/1999 Liu D10/72

- D. 412,858 8/1999 Staton D10/72
- 5,820,057 10/1998 Decarolis et al. 33/761 X
- 5,829,154 11/1998 Lin 33/767

Primary Examiner—Antoine Duval Davis
Attorney, Agent, or Firm—Dougherty & Troxell

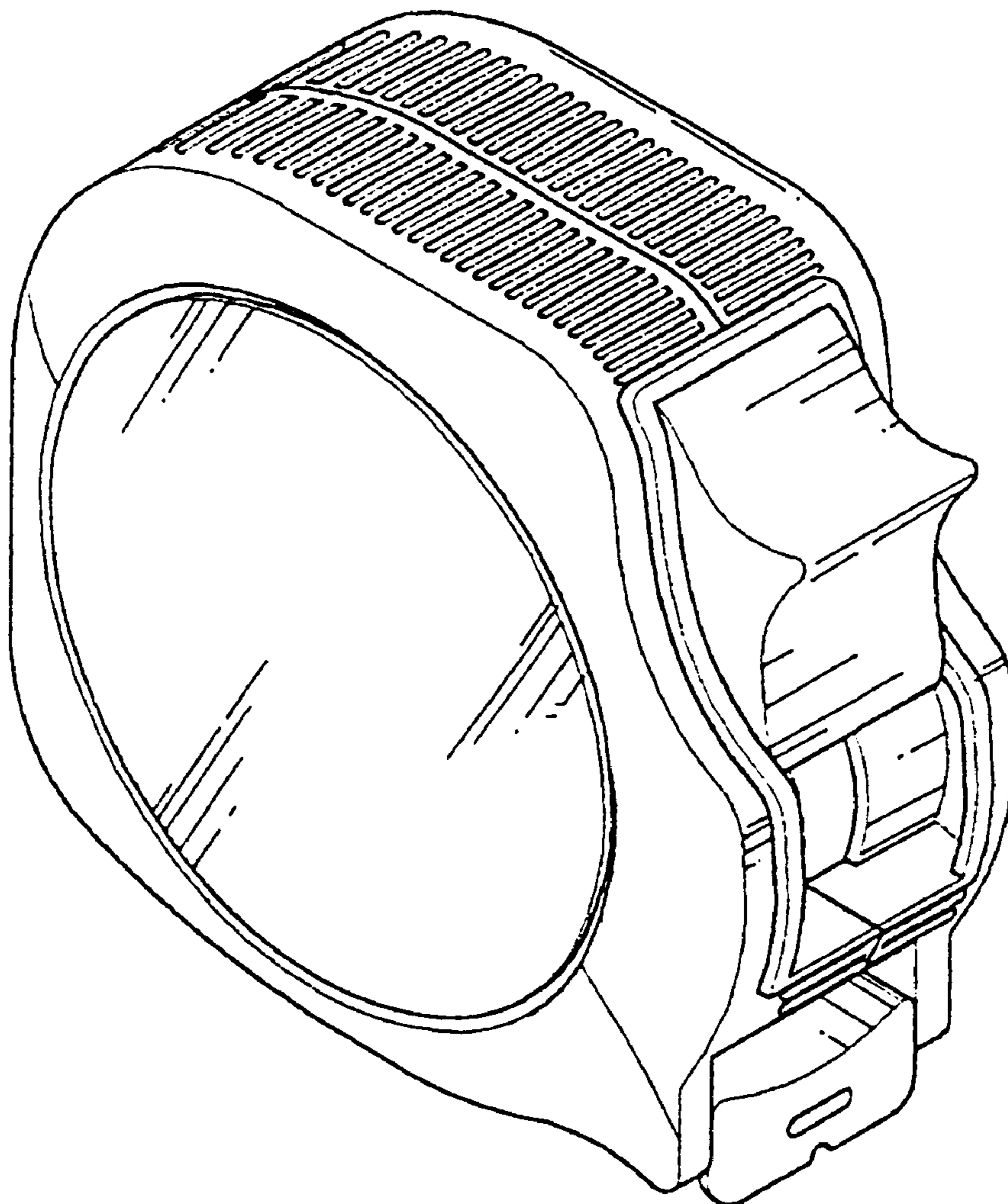
[57] **CLAIM**

The ornamental design for a measuring tape, as shown and described.

DESCRIPTION

FIG. 1 is a perspective view of a measuring tape showing my new design;
FIG. 2 is a front elevational view thereof;
FIG. 3 is a rear elevational view thereof;
FIG. 4 is a left side elevational view thereof;
FIG. 5 is a right side view thereof;
FIG. 6 is a top plan view thereof; and,
FIG. 7 is a bottom plan view thereof.

1 Claim, 4 Drawing Sheets



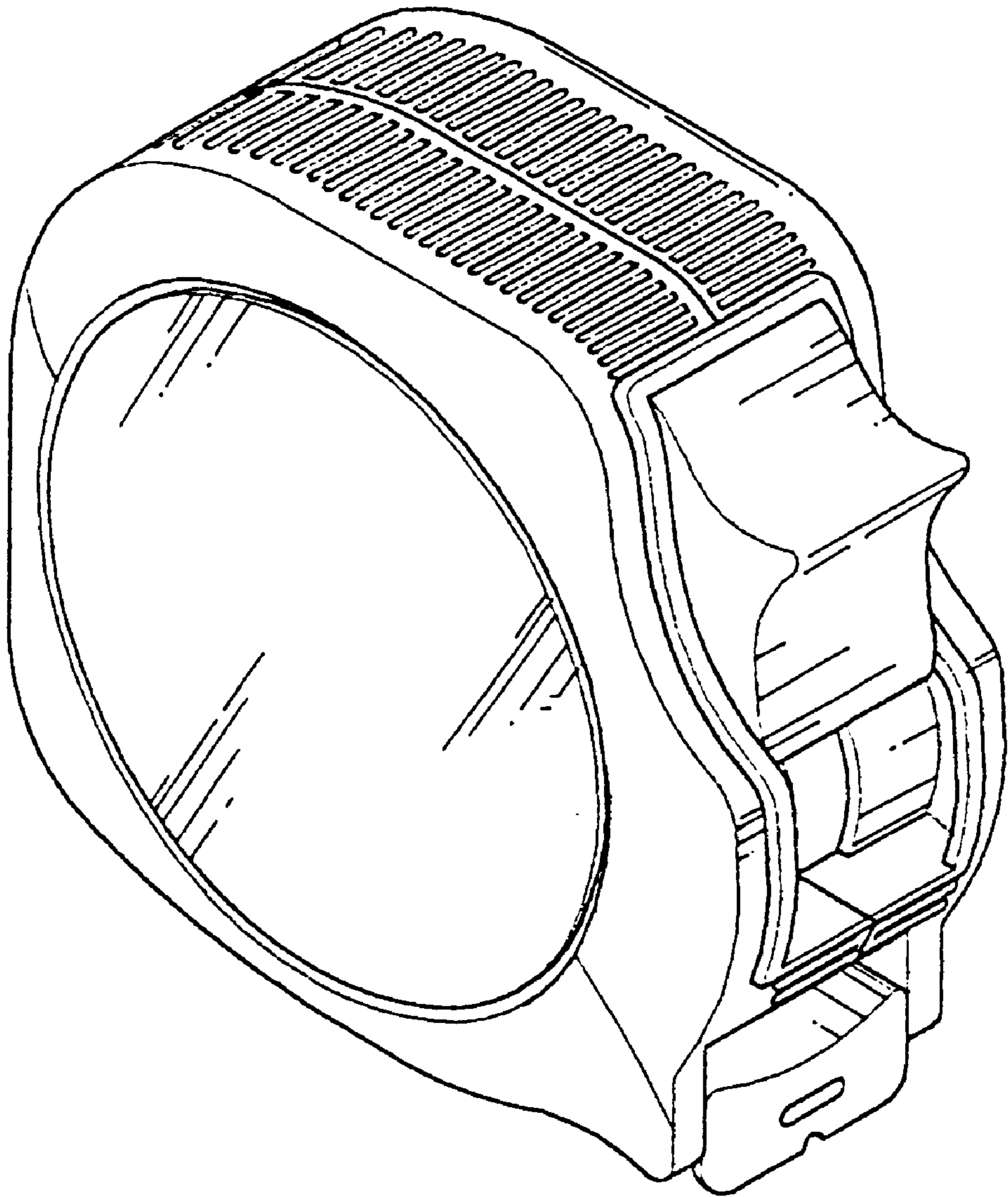


FIG 1

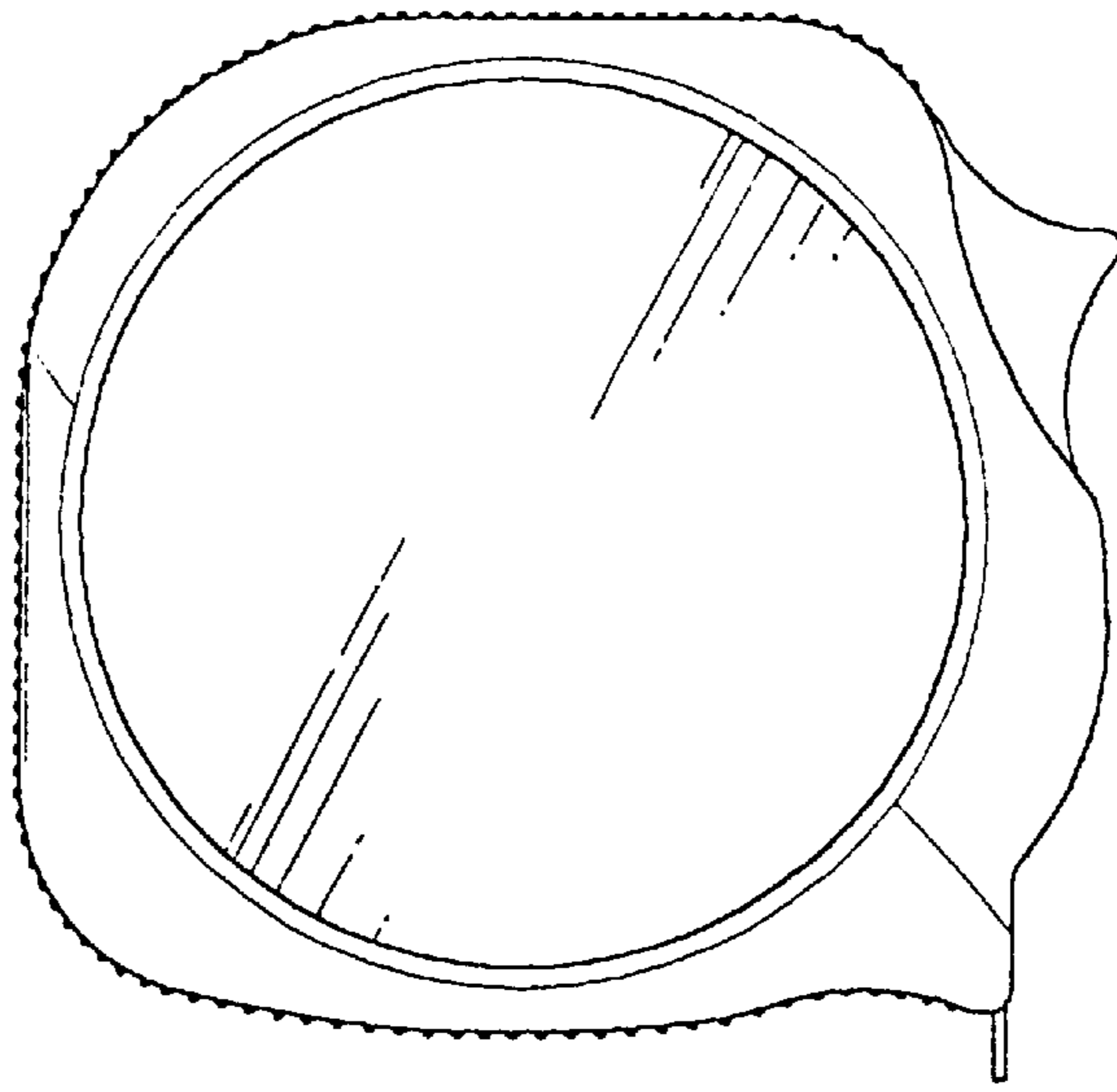


FIG 2

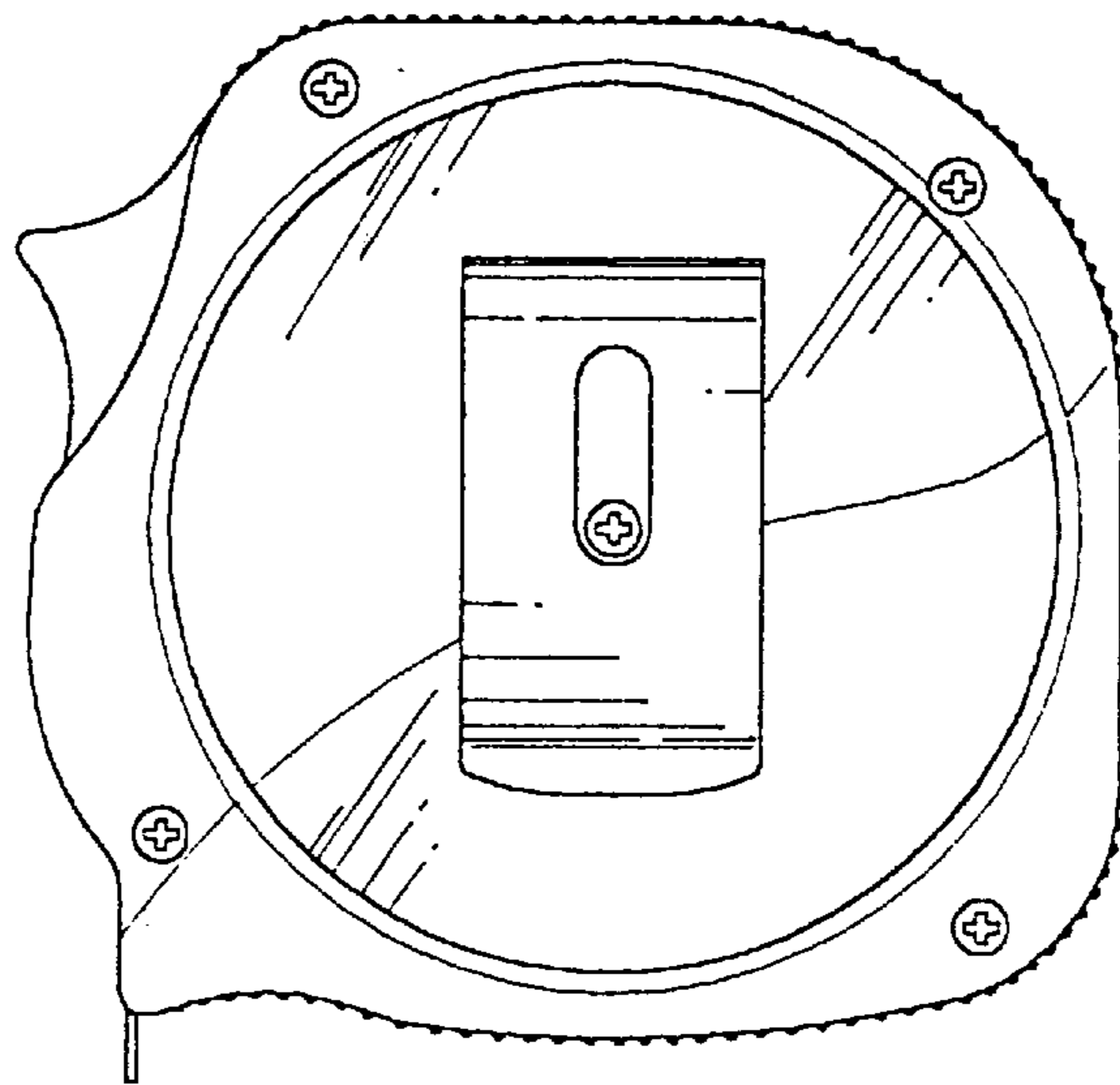


FIG 3

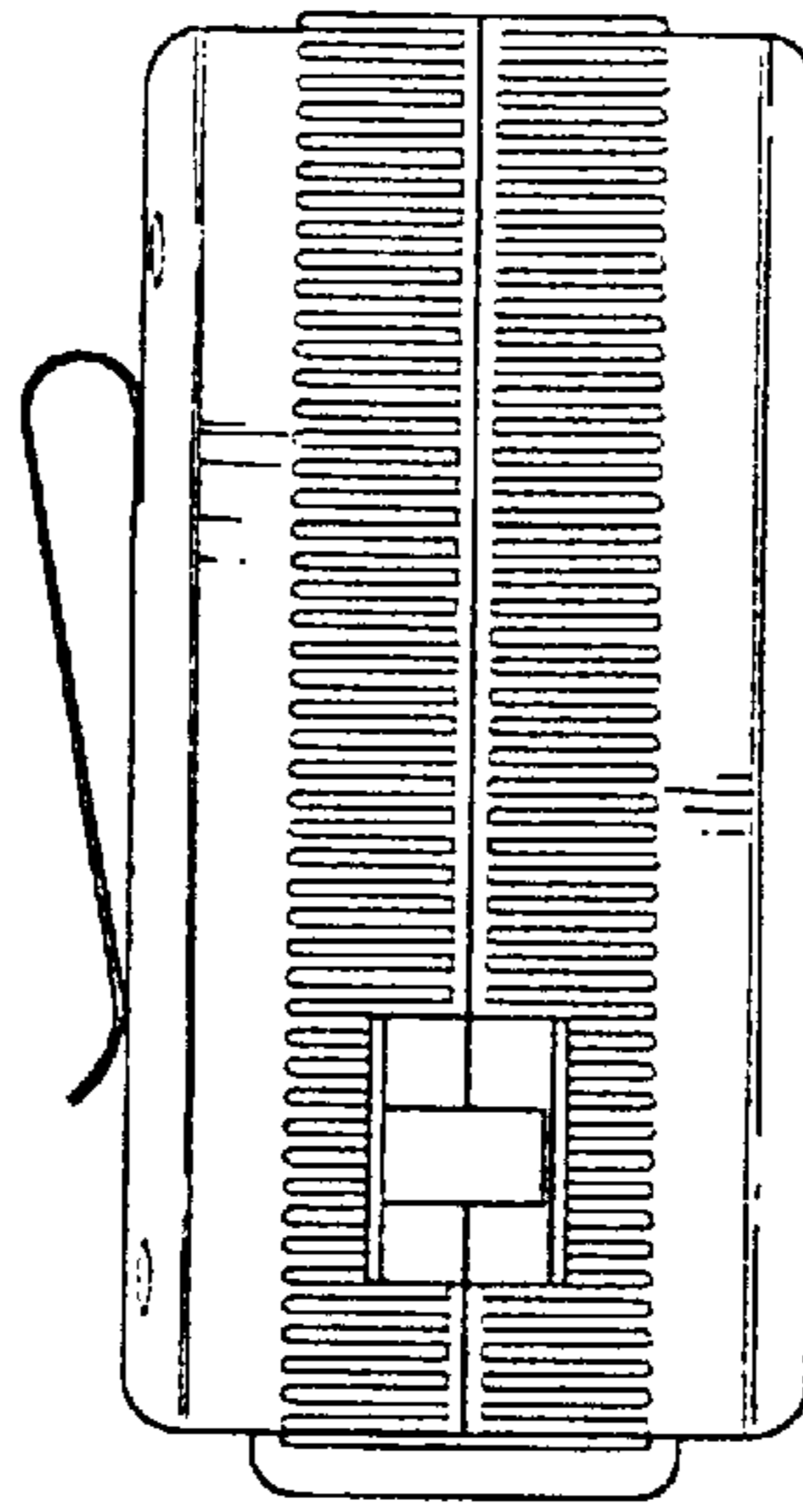


FIG 4

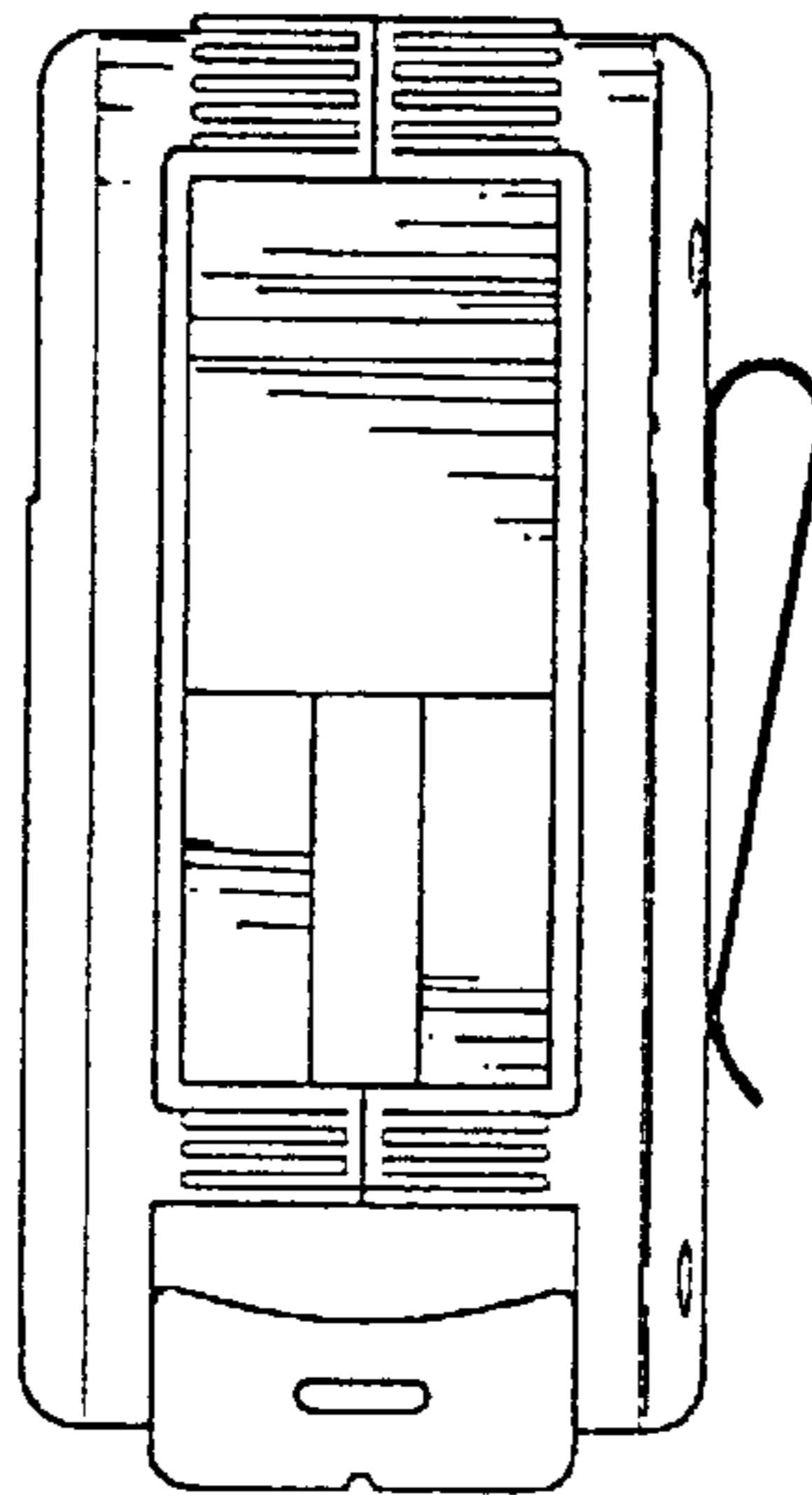


FIG 5

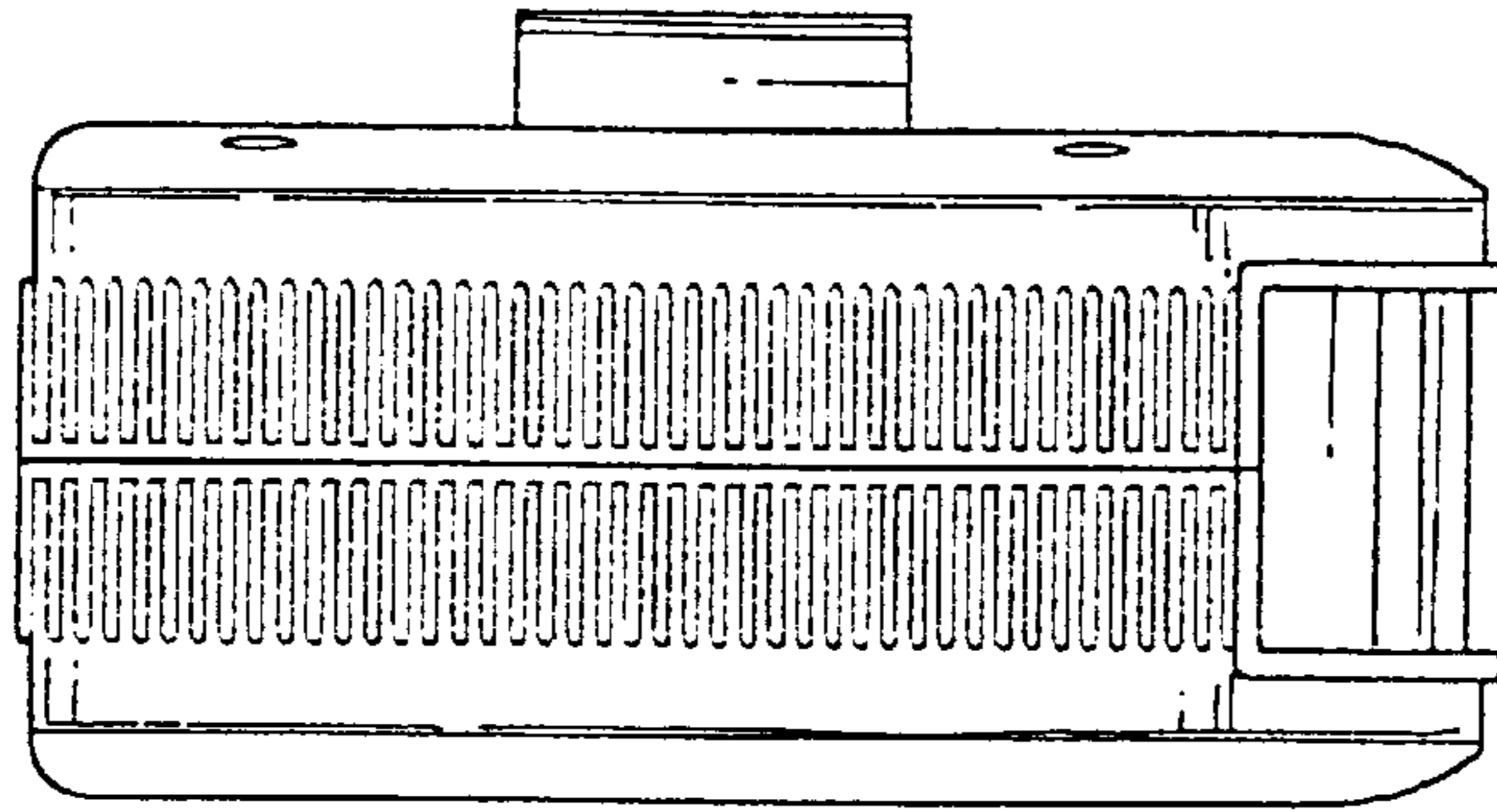


FIG 6

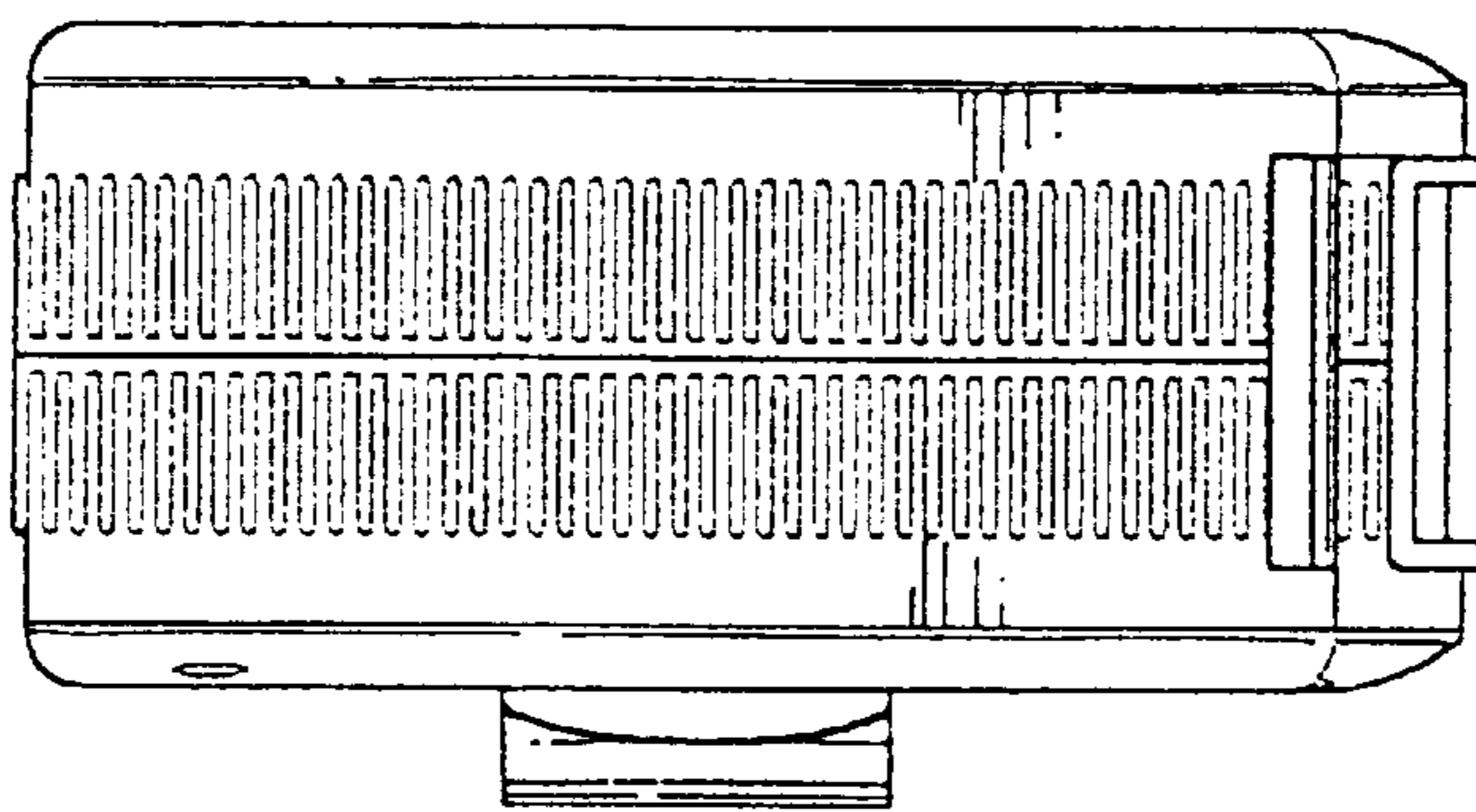


FIG 7