



US00D420916S

United States Patent [19]
Ohmi et al.

[11] **Patent Number: Des. 420,916**

[45] **Date of Patent: ** Feb. 22, 2000**

[54] **CONTAINER CLOSURE**

[75] Inventors: **Hidehiko Ohmi; Tateo Kubo; Mitsuo Kumata**, all of Hiratsuka, Japan

[73] Assignee: **Japan Crown Cork Co., Ltd.**, Tokyo, Japan

[**] Term: **14 Years**

[21] Appl. No.: **29/105,843**

[22] Filed: **Jun. 1, 1999**

[30] **Foreign Application Priority Data**

Dec. 7, 1998 [JP] Japan 10-35110
Dec. 7, 1998 [JP] Japan 10-35111

[51] **LOC (7) Cl.** **09-07**

[52] **U.S. Cl.** **D9/453; D9/454**

[58] **Field of Search** D9/435, 443, 452, D9/453, 454, 503, 529; 215/224, 316, 328, 295, 305; 220/260, 281, 284, 780, 793

[56] **References Cited**

U.S. PATENT DOCUMENTS

D. 233,138 10/1974 Vogel D9/453
4,043,475 8/1977 Wheeler 215/224 X
5,810,190 9/1998 Welch 220/780 X

Primary Examiner—Cathron B. Matta
Attorney, Agent, or Firm—Antonelli, Terry, Stout & Kraus, LLP

[57] **CLAIM**

The ornamental design for a container closure, as shown and described.

DESCRIPTION

FIG. 1 is a top plan view of a container closure showing a first embodiment of my new design;
FIG. 2 is a rear elevational view of the first embodiment;
FIG. 3 is a front elevational view of the first embodiment;
FIG. 4 is a right side elevational view of the first embodiment, the left side being a mirror image thereof;
FIG. 5 is a bottom plan view of the first embodiment;
FIG. 6 is a sectional view taken along line 6—6 of FIG. 3;
FIG. 7 is a top plan view of a container closure showing a second embodiment of my new design;
FIG. 8 is a bottom plan view of the second embodiment;
FIG. 9 is a rear elevational view of the second embodiment;
FIG. 10 is a front elevational view of the second embodiment;
FIG. 11 is a right side elevational view of the second embodiment, the left side being a mirror image thereof; and,
FIG. 12 is a sectional view taken along line 12—12 of FIG. 10.

1 Claim, 6 Drawing Sheets

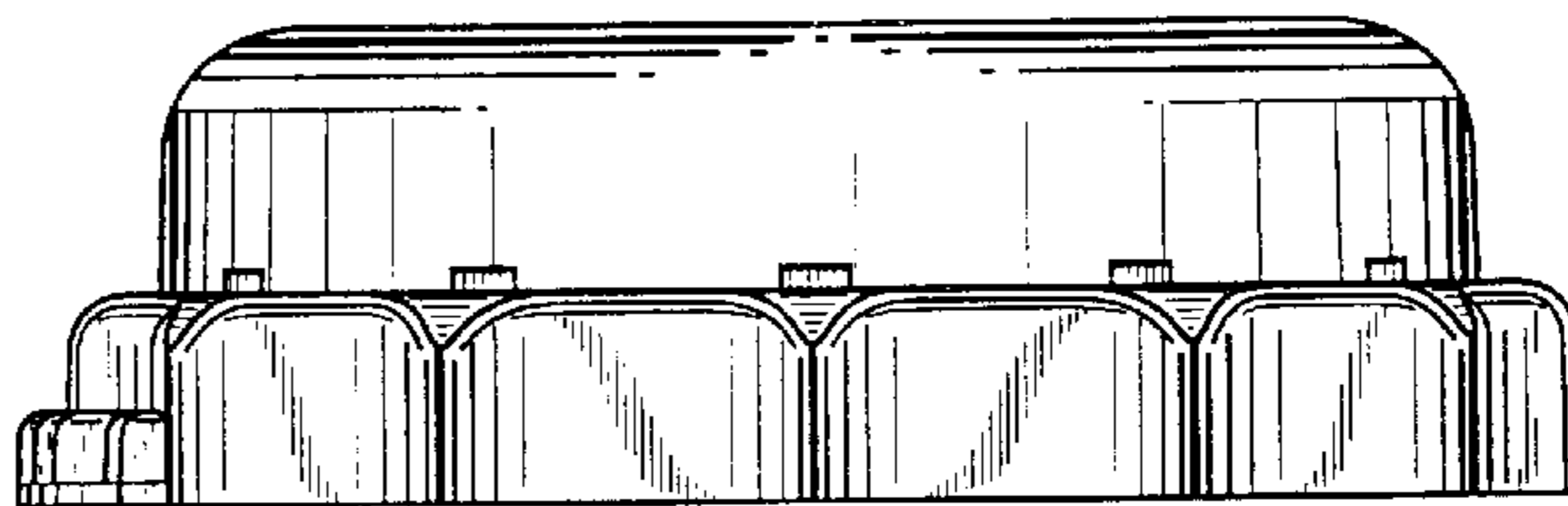
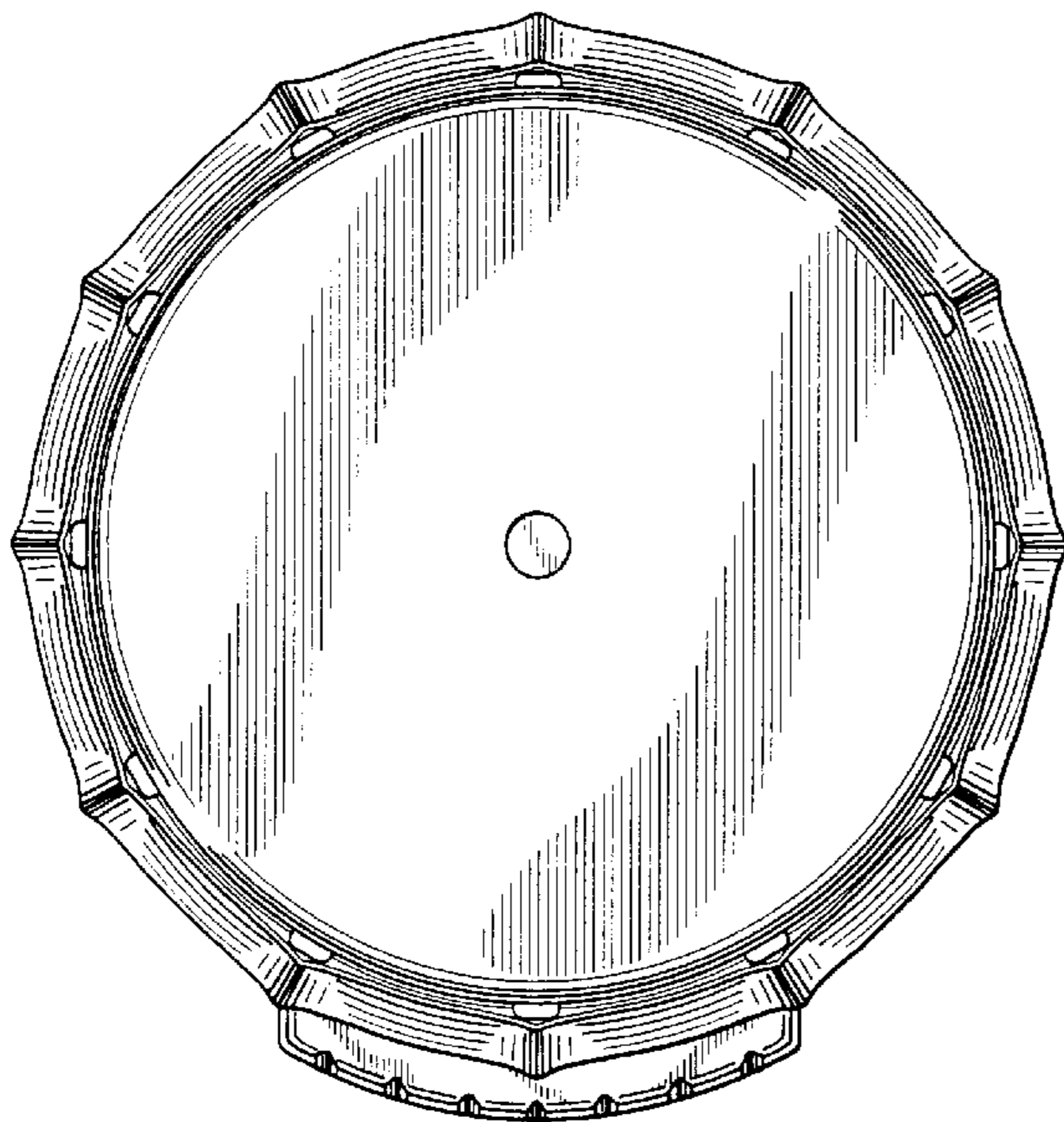


FIG. 5

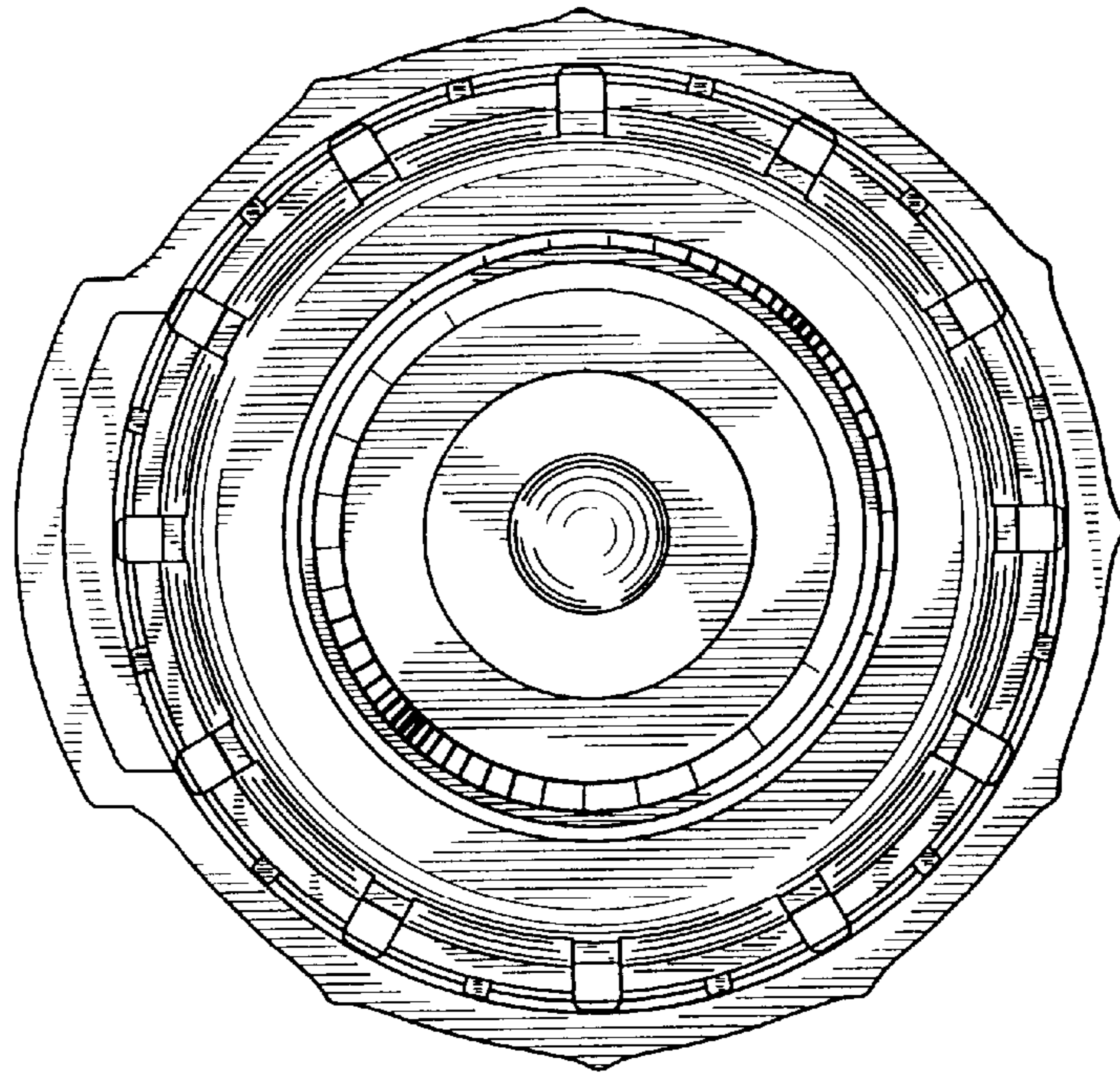


FIG. 1

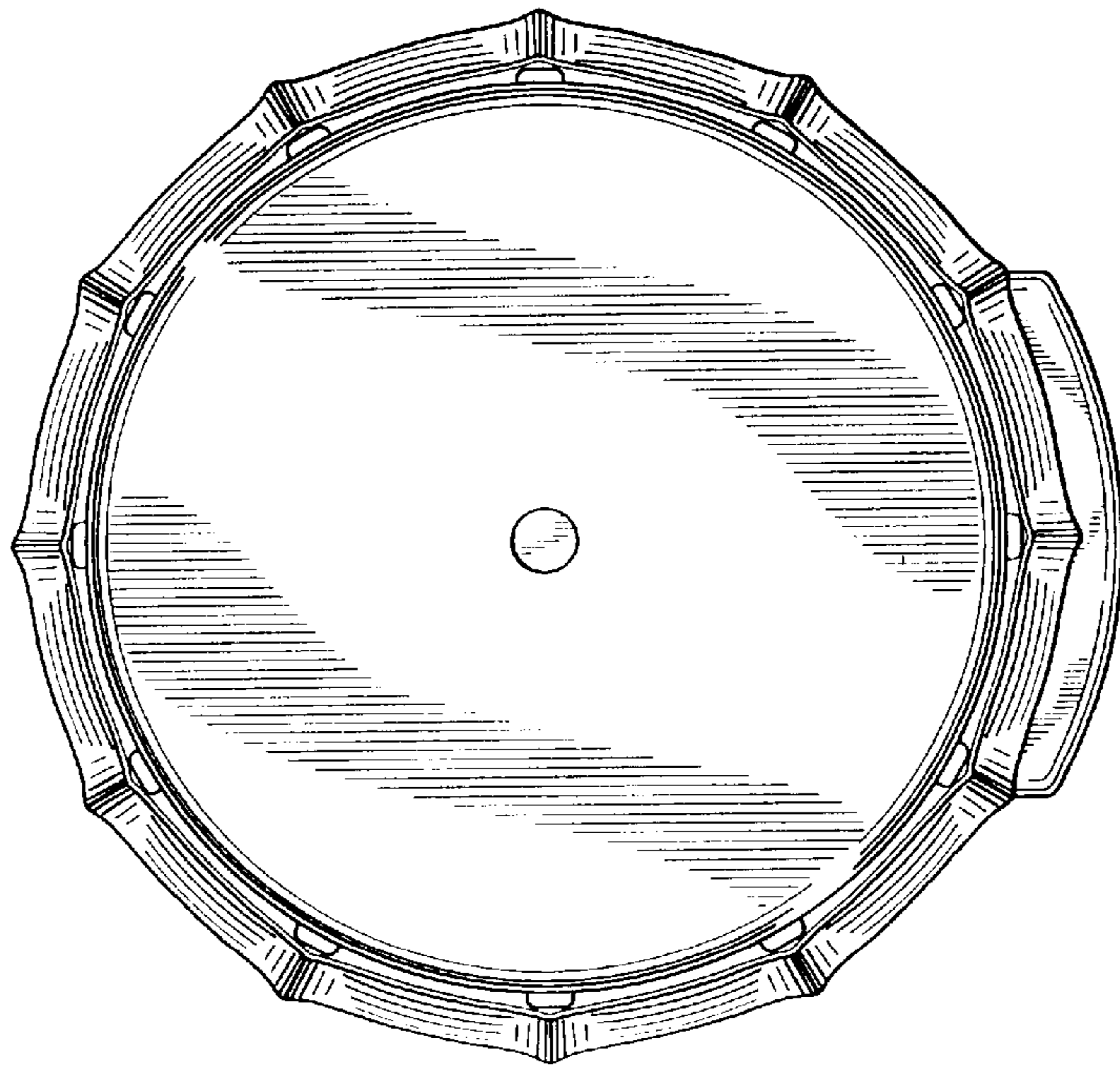


FIG. 2

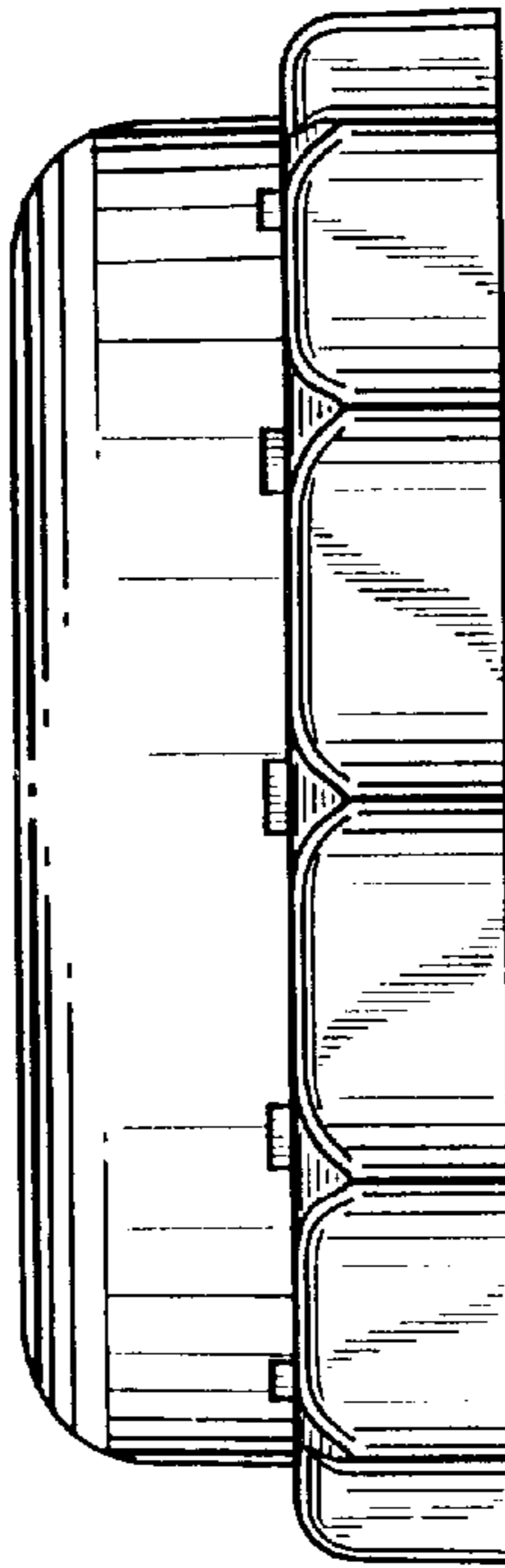
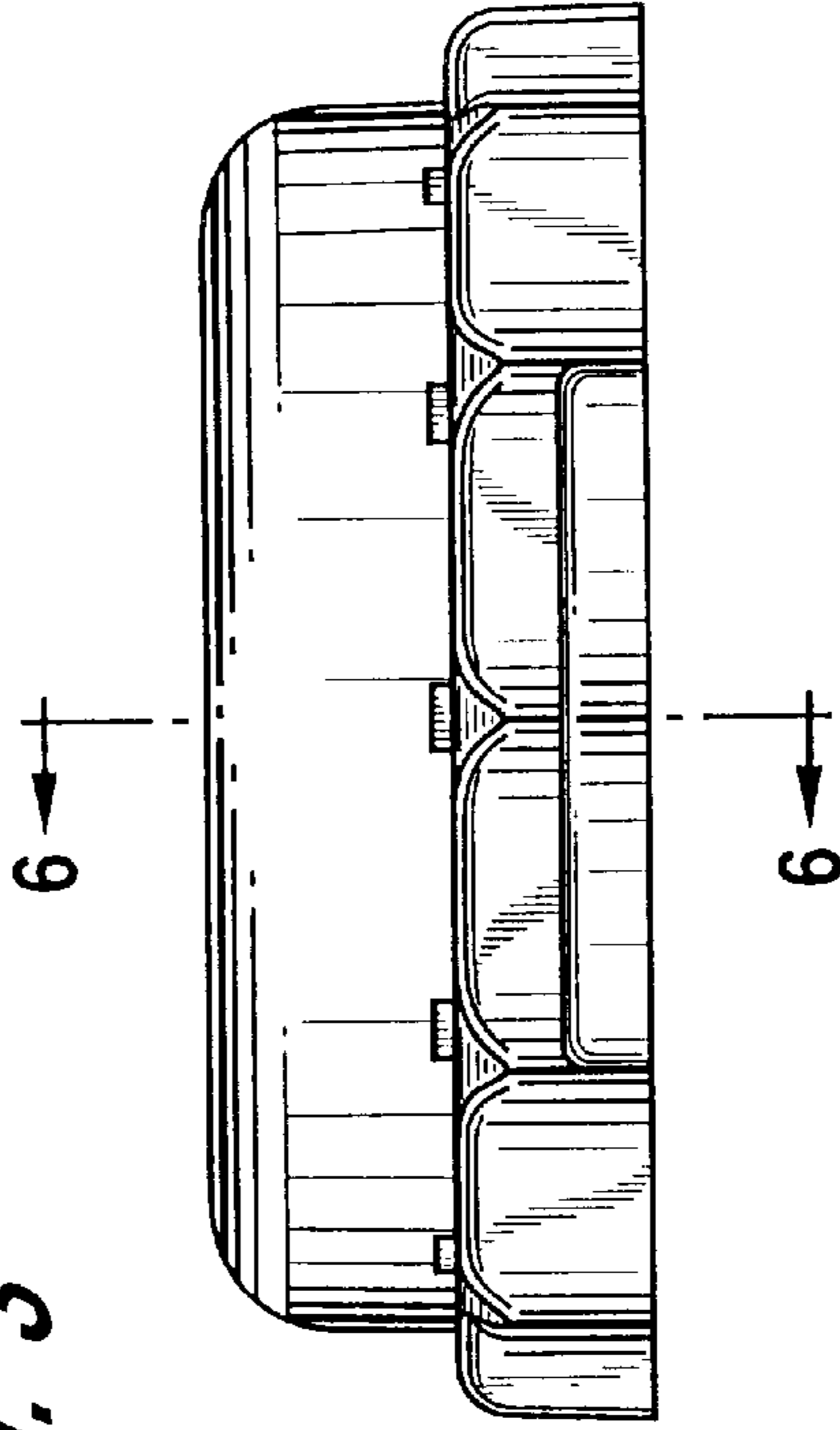


FIG. 3



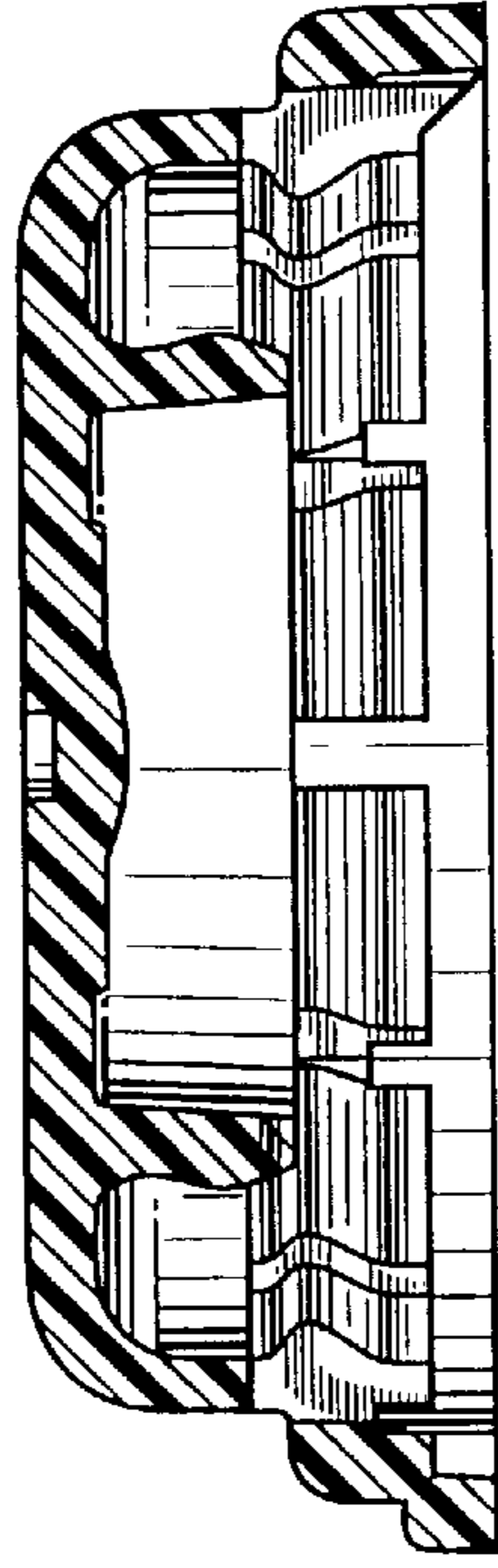


FIG. 6

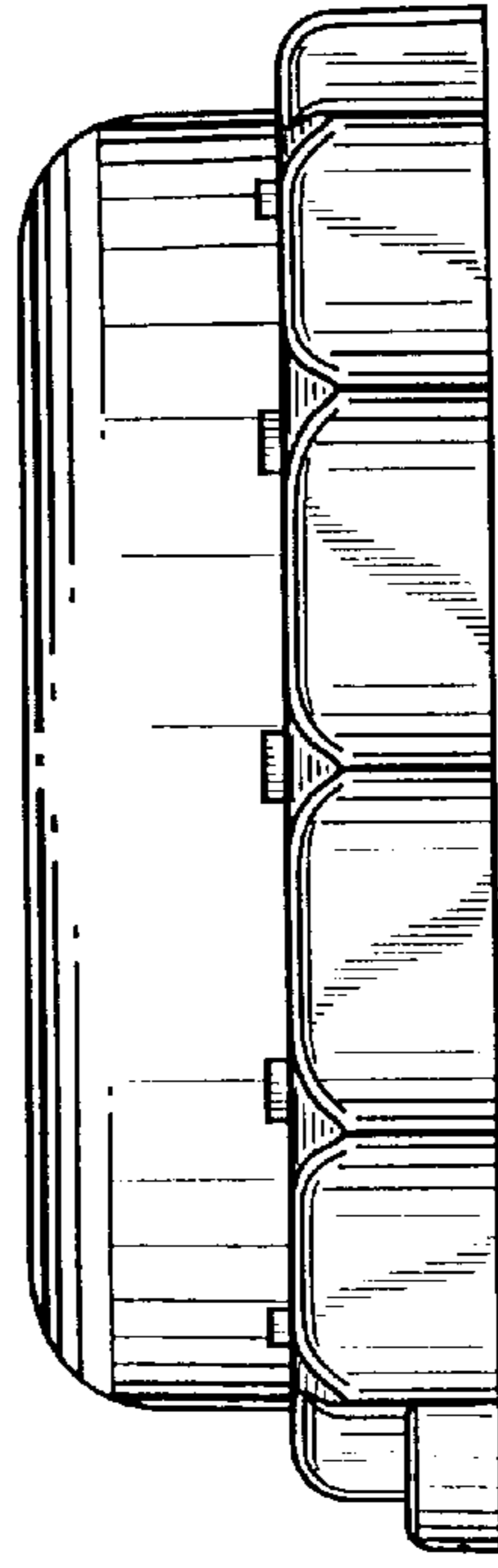


FIG. 4

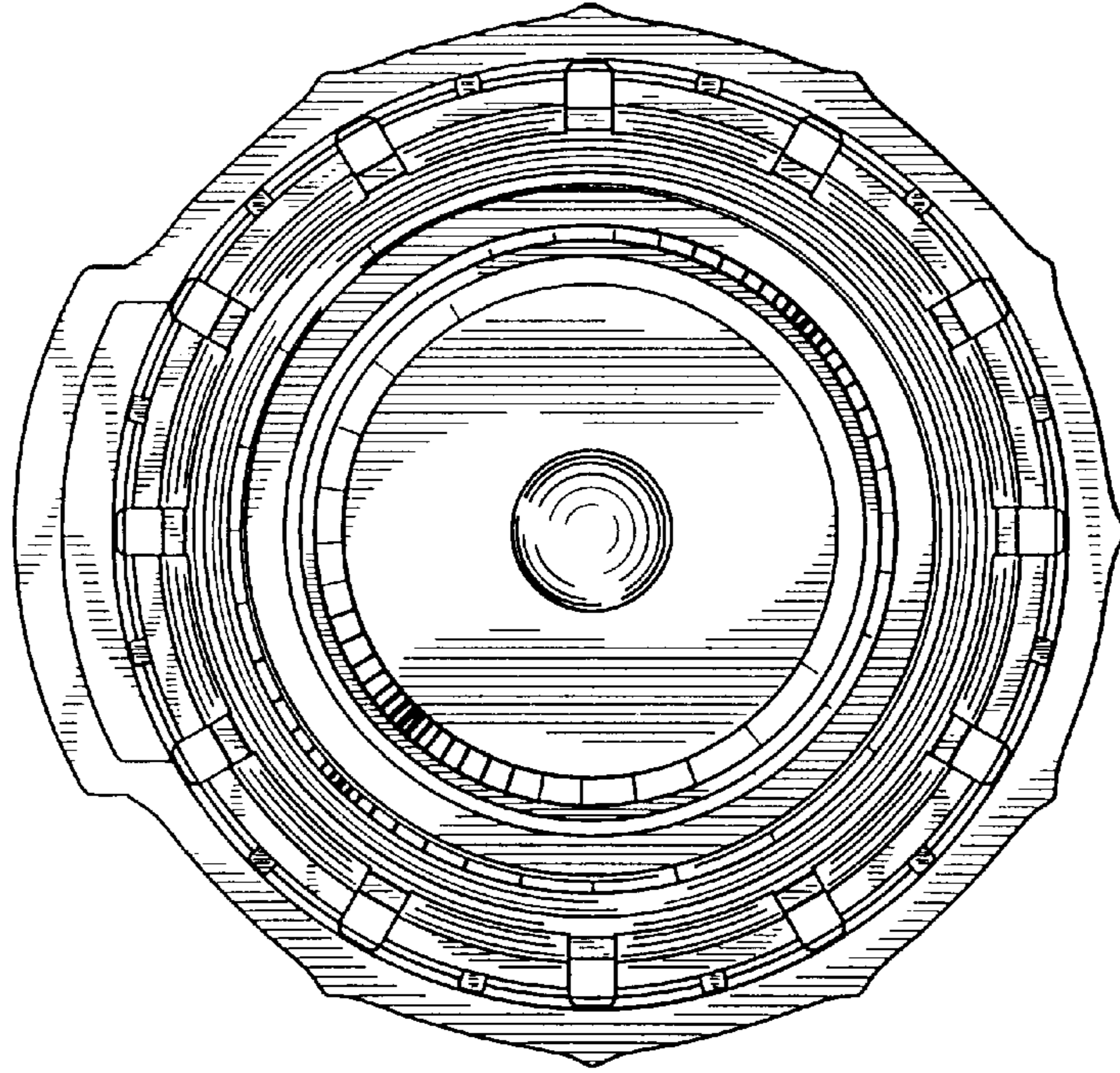


FIG. 8

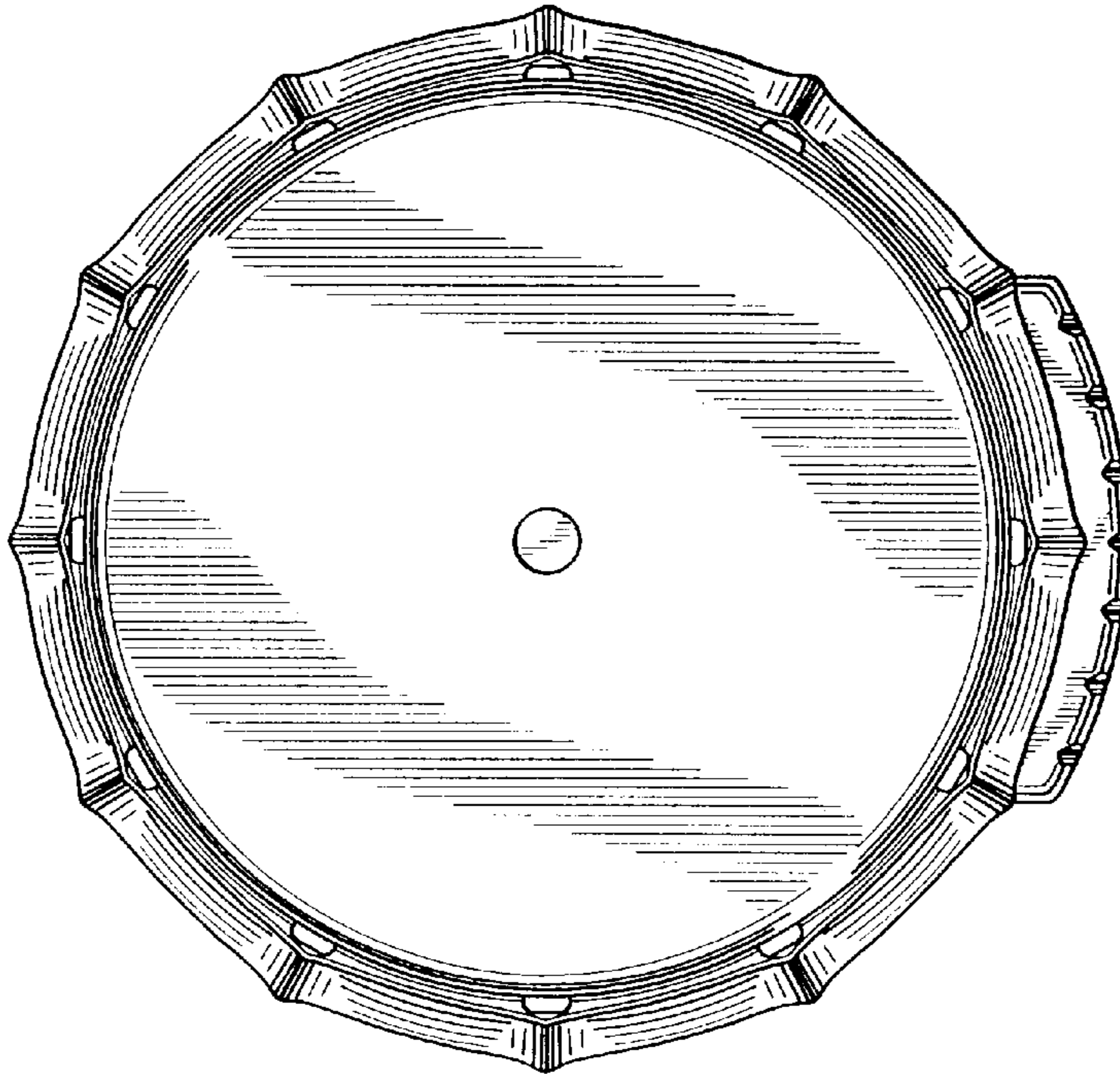


FIG. 7

FIG. 10

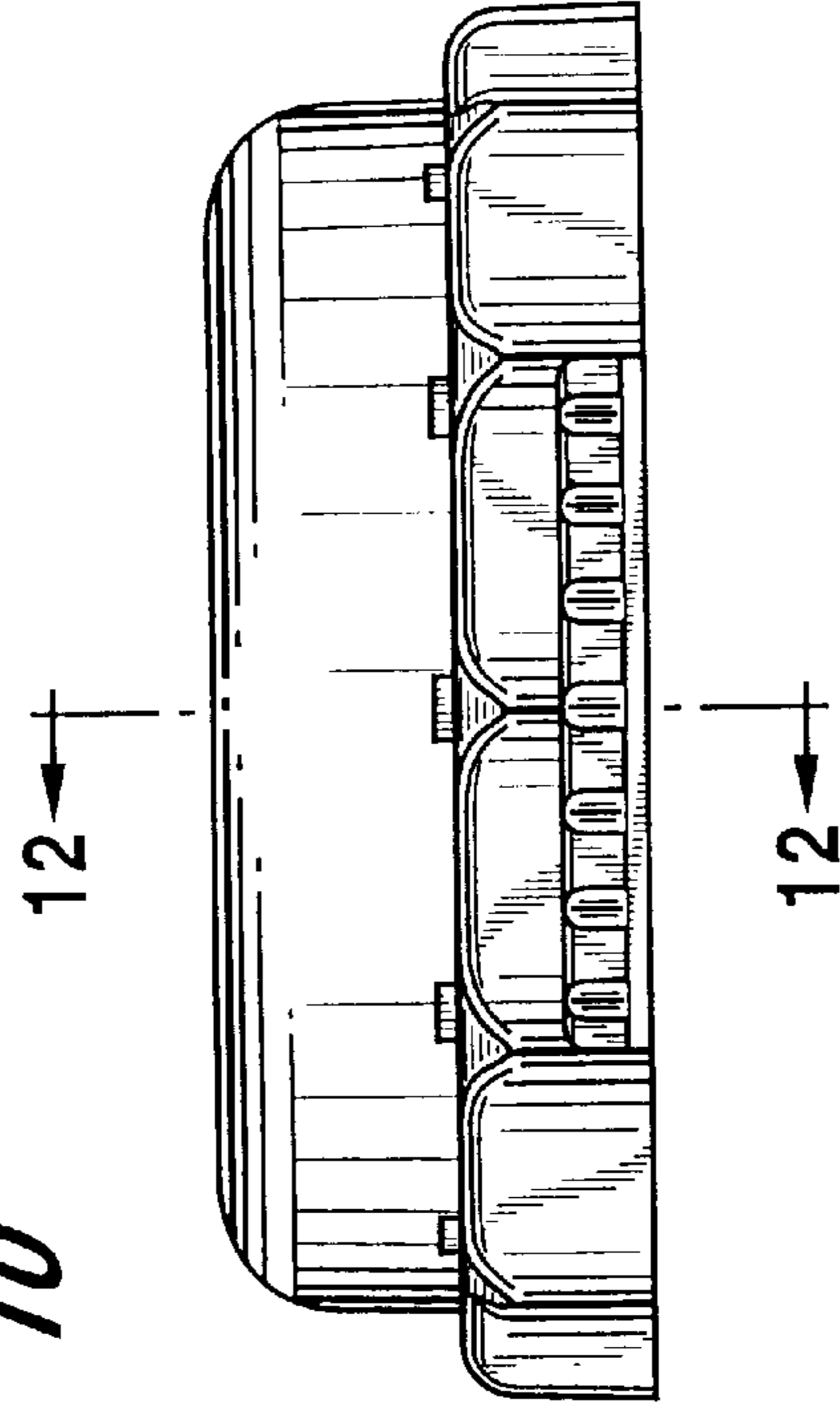


FIG. 9

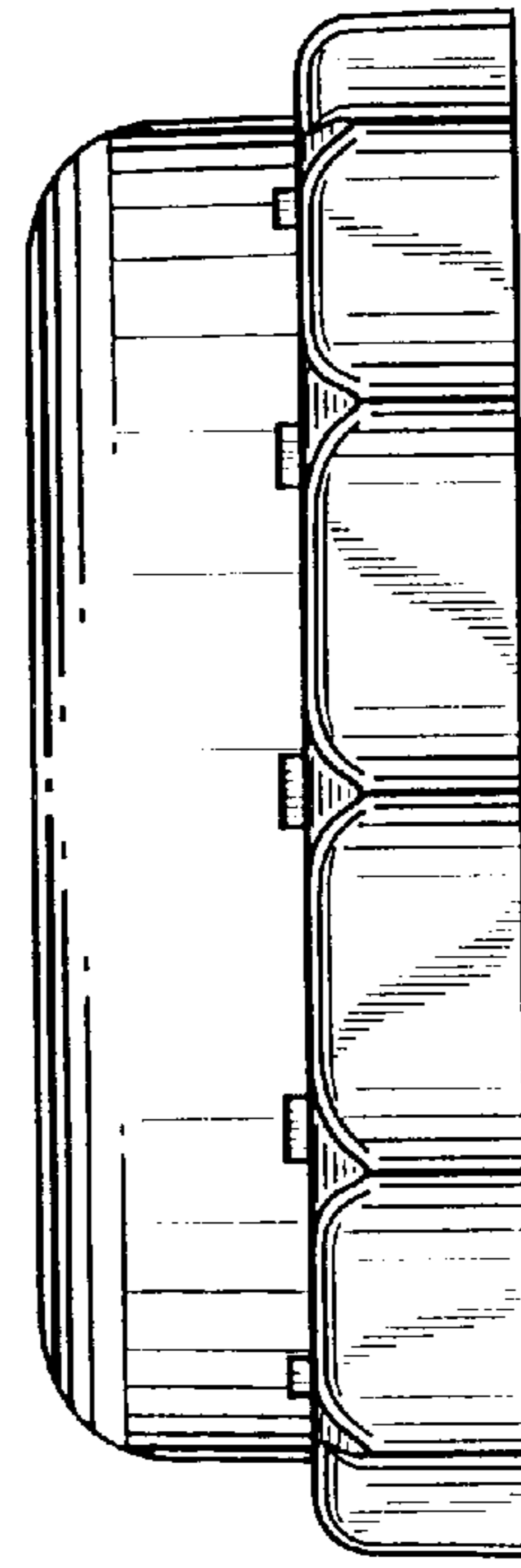


FIG. 12

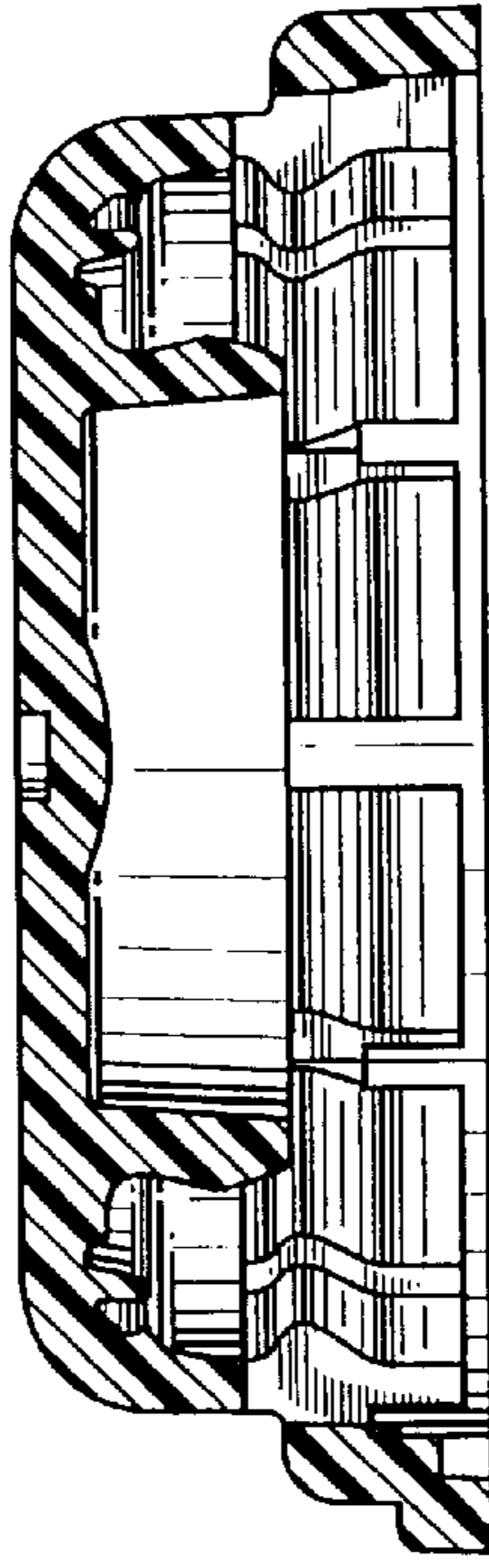


FIG. 11

