



US00D420911S

United States Patent [19]
Panasewicz

[11] **Patent Number: Des. 420,911**

[45] **Date of Patent: ** Feb. 22, 2000**

[54] **CONTAINER FOR ICE CREAM**

[75] Inventor: **Dale A. Panasewicz**, Strongsville, Ohio

[73] Assignee: **Creative Edge Design Group, Ltd.**,
Canton, Ohio

[**] Term: **14 Years**

[21] Appl. No.: **29/093,891**

[22] Filed: **Sep. 21, 1998**

[51] **LOC (7) Cl.** **09-03**

[52] **U.S. Cl.** **D9/432**

[58] **Field of Search** D7/629; D9/337-338,
D9/341, 345, 424-425, 432, 445; 220/305,
792, 796, 802, 4.26

[56] **References Cited**

U.S. PATENT DOCUMENTS

Re. 24,889	10/1960	Tupper	220/792
D. 159,811	8/1950	Hill	D7/629
D. 351,765	10/1994	Beeler et al.	D9/424
2,752,970	7/1956	Tupper	220/802
3,056,525	10/1962	Deinert	220/507
3,294,222	12/1966	Hodgson	220/835
4,113,095	9/1978	Dietz et al.	D9/445
5,045,333	9/1991	Petrofsky et al.	426/120
5,511,684	4/1996	Weaver, Jr.	220/796
5,644,976	7/1997	Muchin et al.	220/574

Primary Examiner—B. J. Bullock
Assistant Examiner—Carol Rademaker

Attorney, Agent, or Firm—Vickers, Daniels & Young

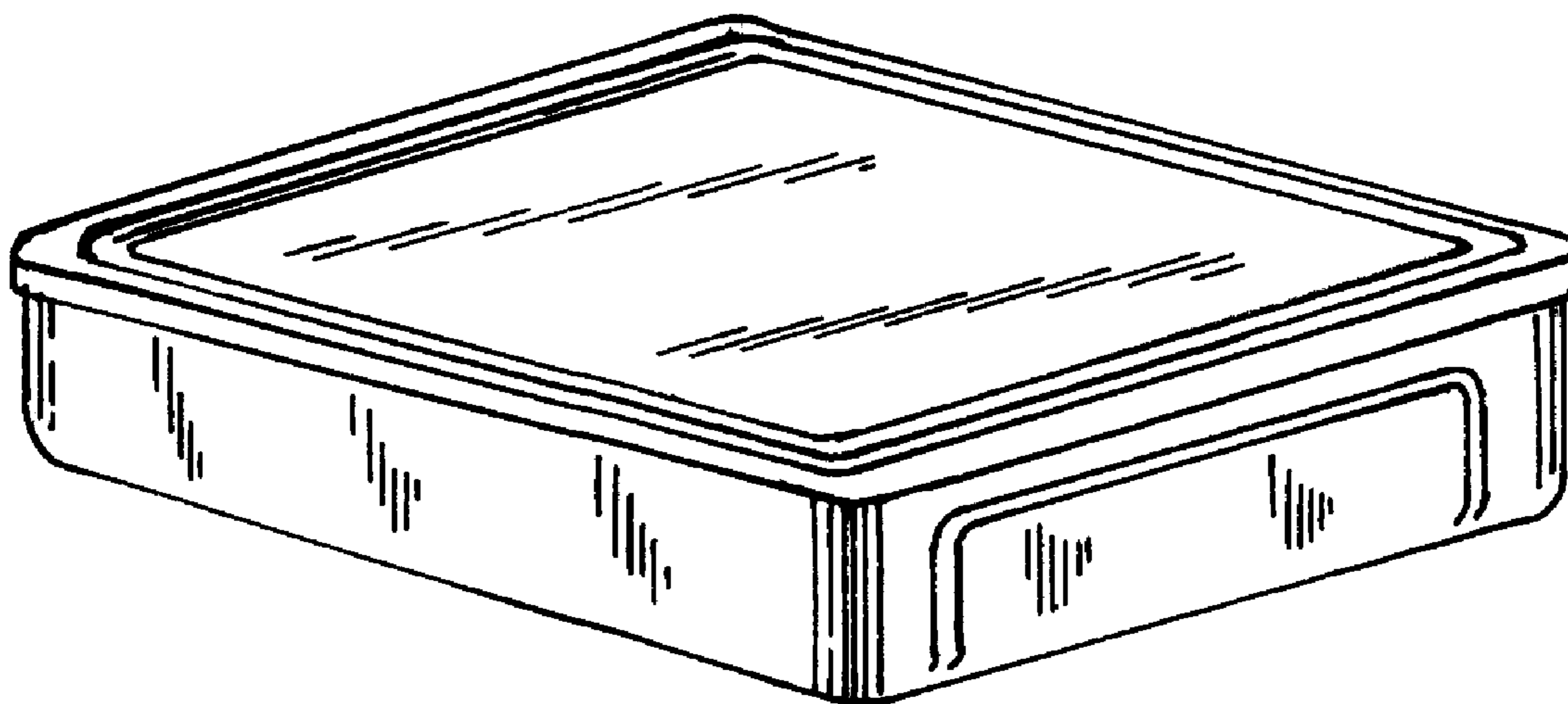
[57] **CLAIM**

The ornamental design for a container for ice cream, as shown and described.

DESCRIPTION

FIG. 1 is a perspective view of a container for ice cream in accordance with the present invention;
 FIG. 2 is a left side view of the container for ice cream as seen in FIG. 1, the right side being a mirror image thereof;
 FIG. 3 is a rear view of the container for ice cream as seen in FIG. 1;
 FIG. 4 is a front side view of the container for ice cream as seen in FIG. 1;
 FIG. 5 is a top view of the container for ice cream as seen in FIG. 1;
 FIG. 6 is a bottom view of the container for ice cream as seen in FIG. 1;
 FIG. 7 is a left side view of the container for ice as seen in a second embodiment of FIG. 1, the right side being a mirror image thereof;
 FIG. 8 is a rear view of the container for ice cream as seen in FIG. 7;
 FIG. 9 is a front view of the front side of the container for ice cream as seen in FIG. 7;
 FIG. 10 is a view of the top side of the container for ice cream as seen in FIG. 7; and,
 FIG. 11 is a rear view of the container for ice cream as seen in FIG. 1.

1 Claim, 2 Drawing Sheets



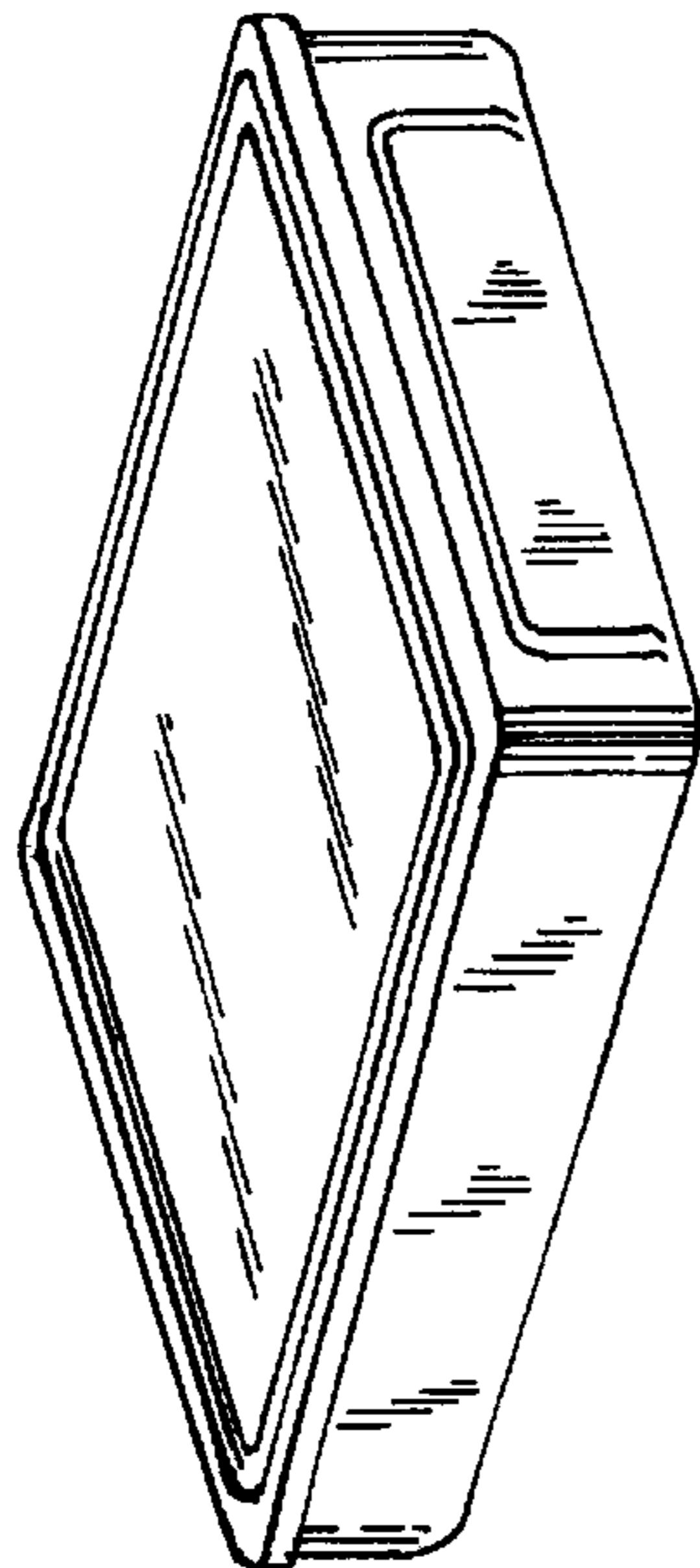


Fig. 1

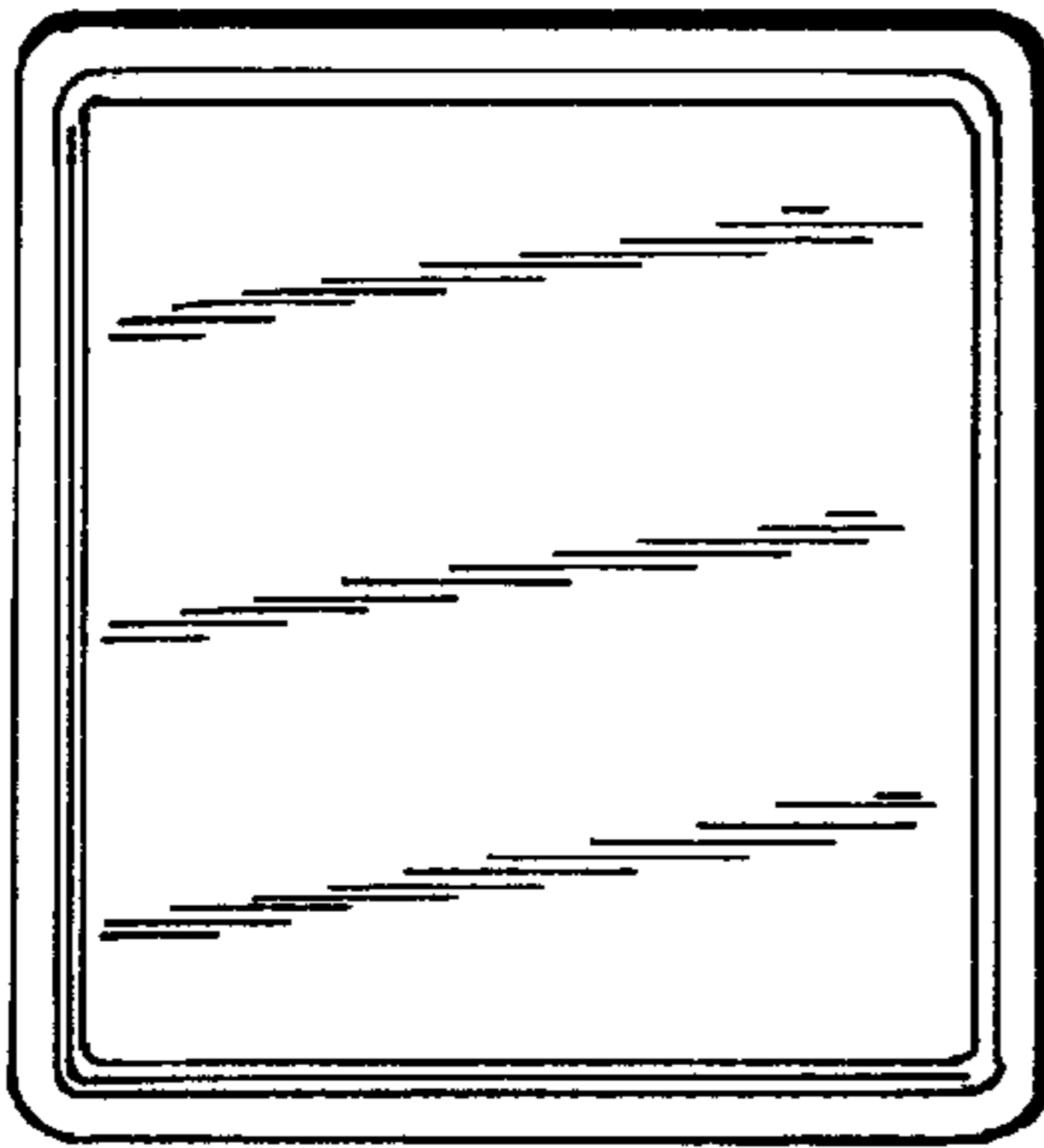


Fig. 5



Fig. 4

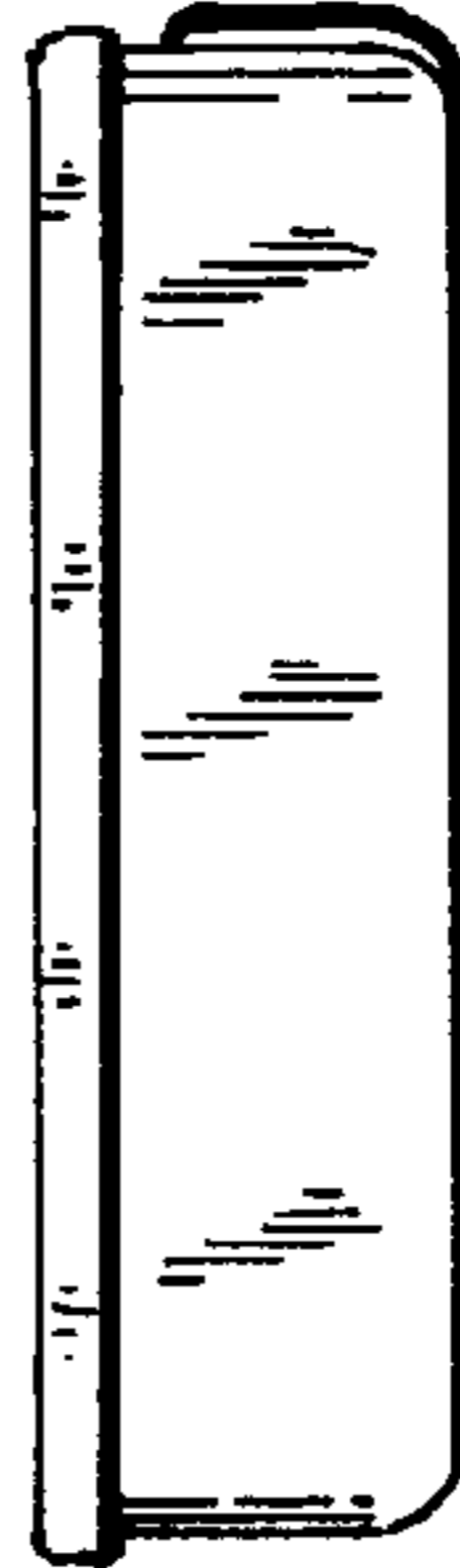


Fig. 2

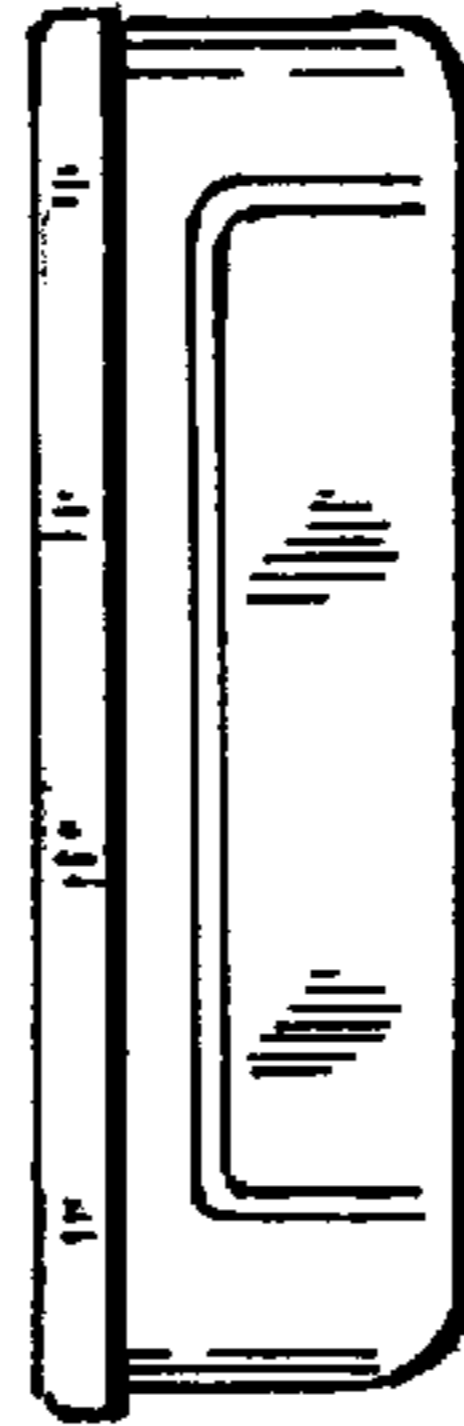


Fig. 3

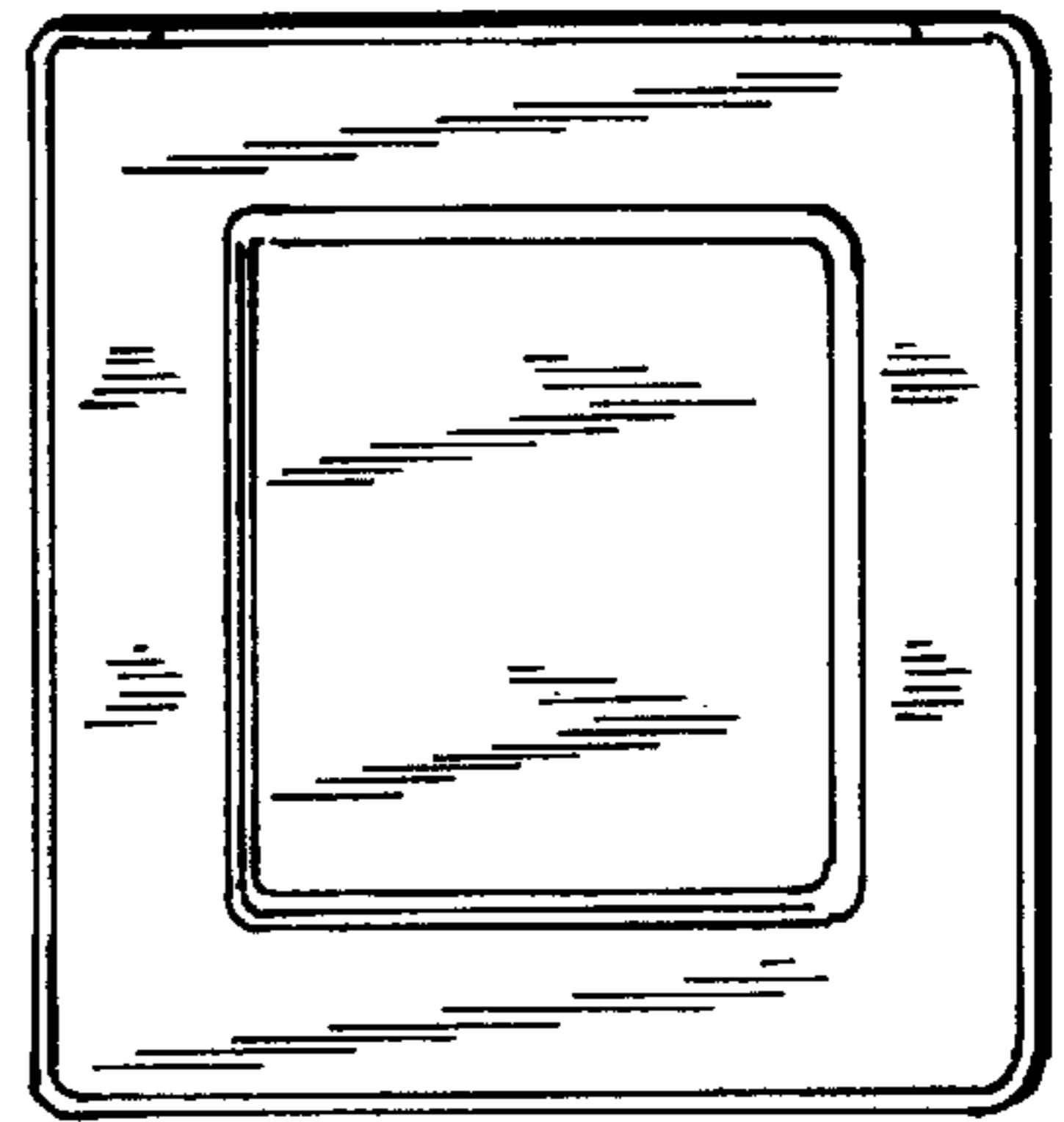


Fig. 6

