



US00D420909S

# United States Patent [19]

[11] **Patent Number: Des. 420,909**

**Tadayon**

[45] **Date of Patent: \*\* Feb. 22, 2000**

[54] **PRODUCT PACKAGING**

[76] Inventor: **H. Thomas Tadayon**, 2243 Martin St.,  
Unit No. 412, Irvine, Calif. 92612

[\*\*] Term: **14 Years**

[21] Appl. No.: **29/072,441**

[22] Filed: **Jun. 17, 1997**

[51] **LOC (7) Cl.** ..... **09-07**

[52] **U.S. Cl.** ..... **D9/431; D3/905**

[58] **Field of Search** ..... D9/414, 430, 431,  
D9/423; D3/201, 272, 276, 905; 206/349;  
220/696, DIG. 20; 229/117.15, 117.09;  
312/902

[56] **References Cited**

**U.S. PATENT DOCUMENTS**

- D. 355,763 2/1995 Sun ..... D3/276 X
- D. 357,581 4/1995 Rogers et al. .... D3/276
- D. 364,504 11/1995 Bieizer et al. .... D3/276
- D. 384,583 10/1997 Green et al. .... D9/431
- 2,357,555 9/1944 Seaton ..... 206/349 X

- 2,644,633 7/1953 Stopper ..... 229/117.15 X
- 4,240,222 12/1980 Covington ..... 220/696 X
- 4,550,828 11/1985 Baldwin et al. .... 206/349 X
- 5,603,405 2/1997 Smith ..... 206/349 X

*Primary Examiner*—Prabhakar G. Deshmukh  
*Attorney, Agent, or Firm*—Eric Karich

[57] **CLAIM**

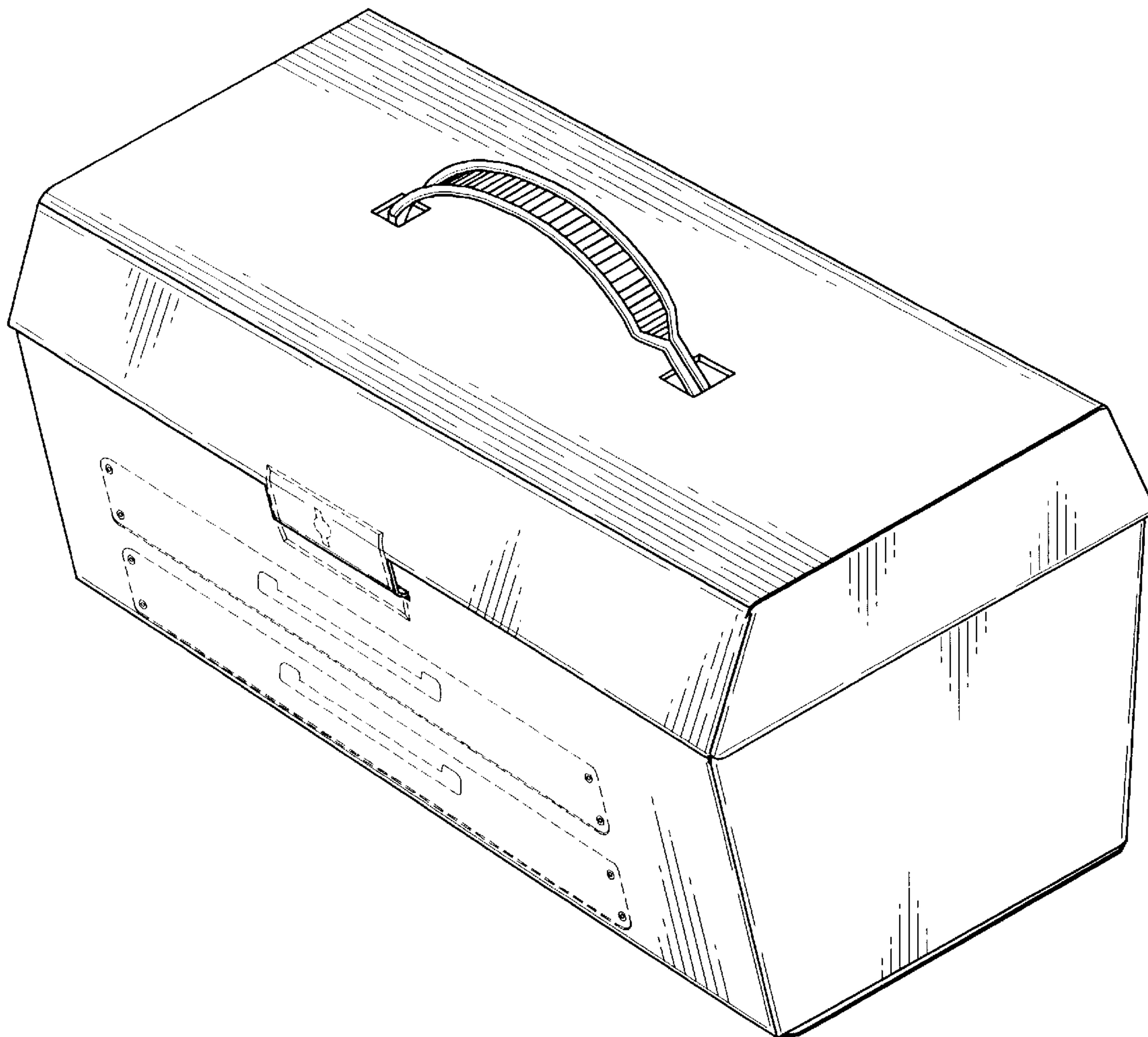
The ornamental design for product packaging, as shown and described.

**DESCRIPTION**

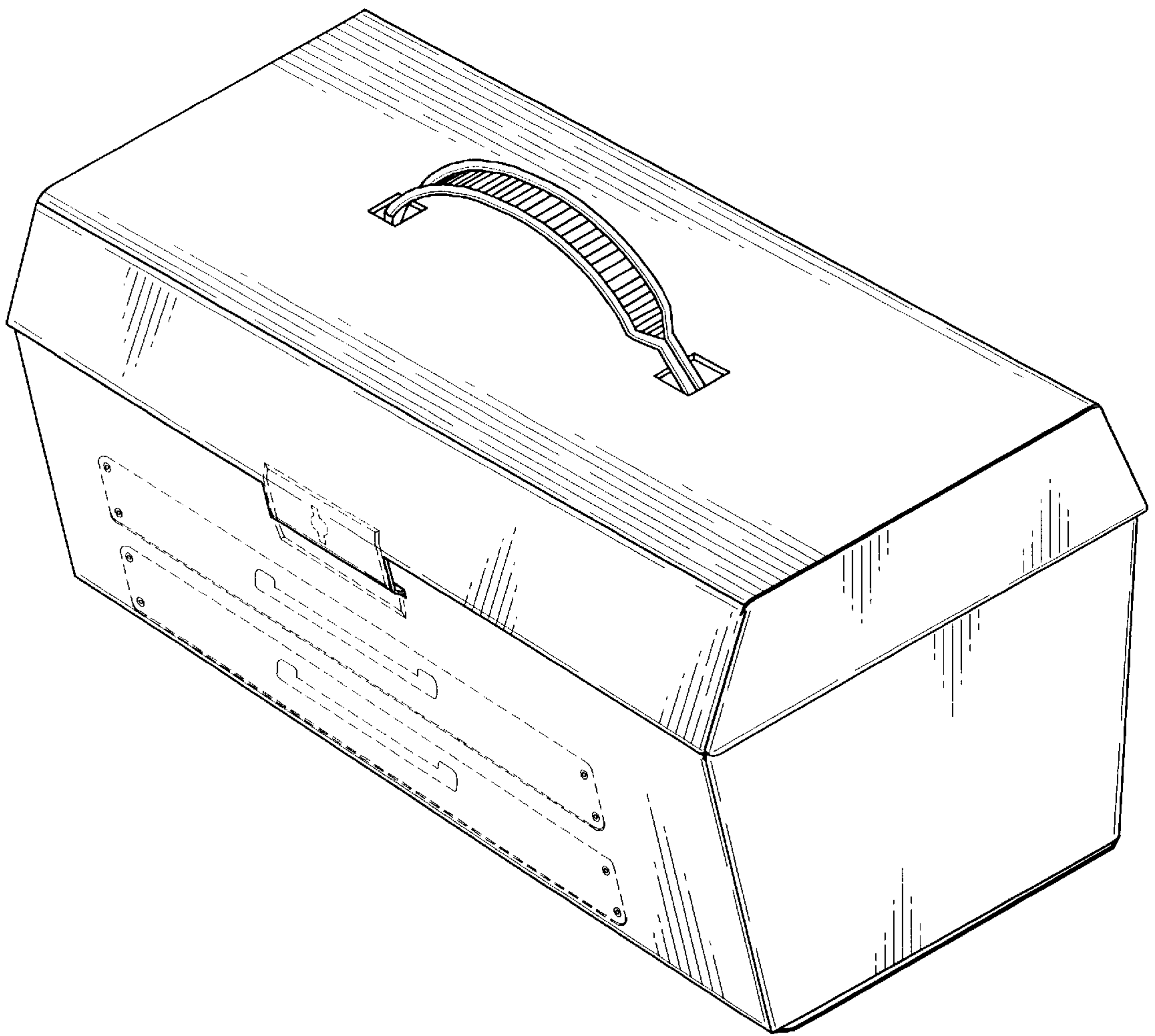
FIG. 1 is a perspective view of the product packaging;  
FIG. 2 is a top view thereof;  
FIG. 3 is a front-end view thereof;  
FIG. 4 is a bottom view thereof;  
FIG. 5 is a left side view thereof which is also a mirror image  
of the right side thereof; and,  
FIG. 6 is a back-end view thereof.

The broken lines showing of drawers and closer are for illustrative purpose and forms no part of the claim.

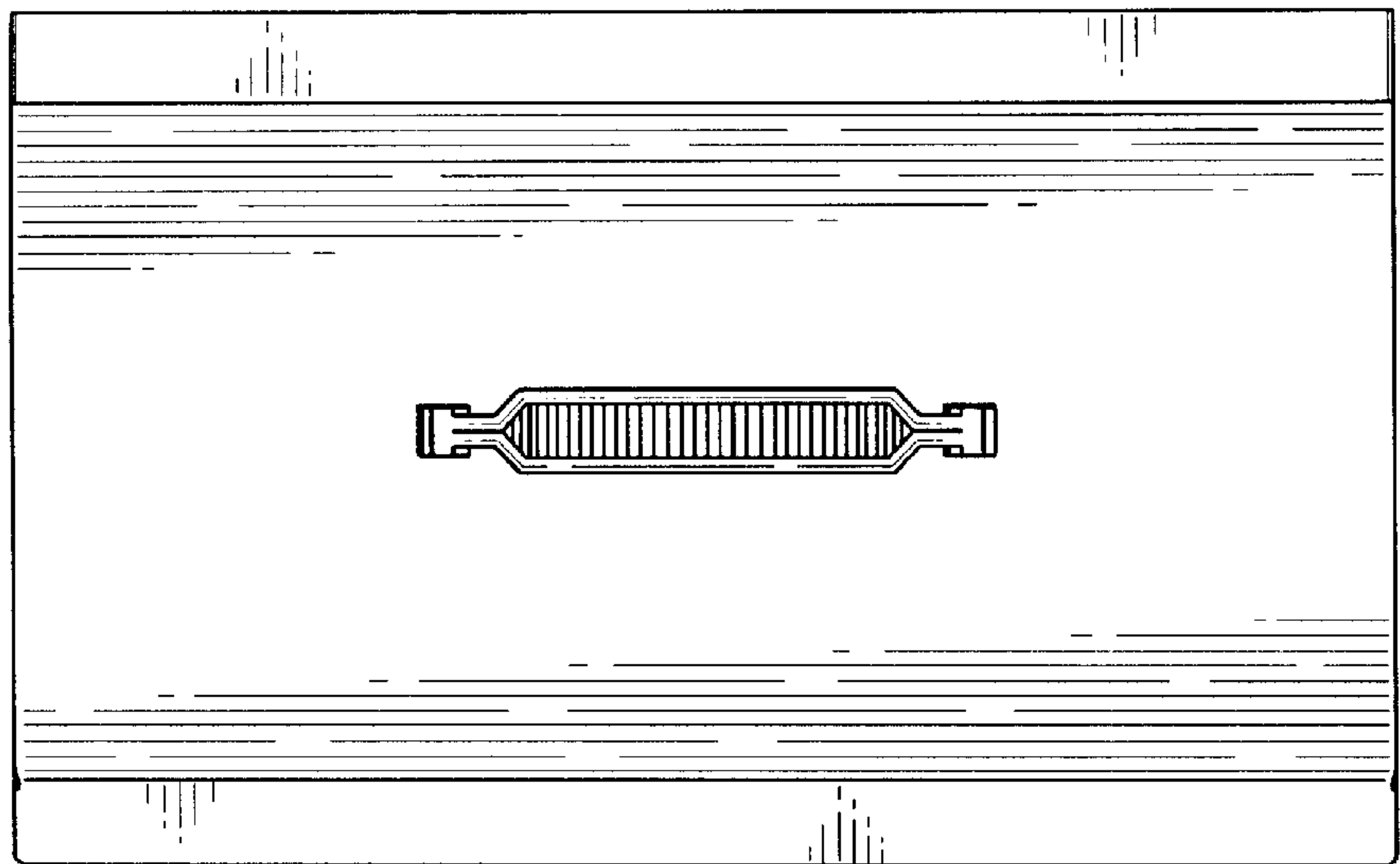
**1 Claim, 3 Drawing Sheets**



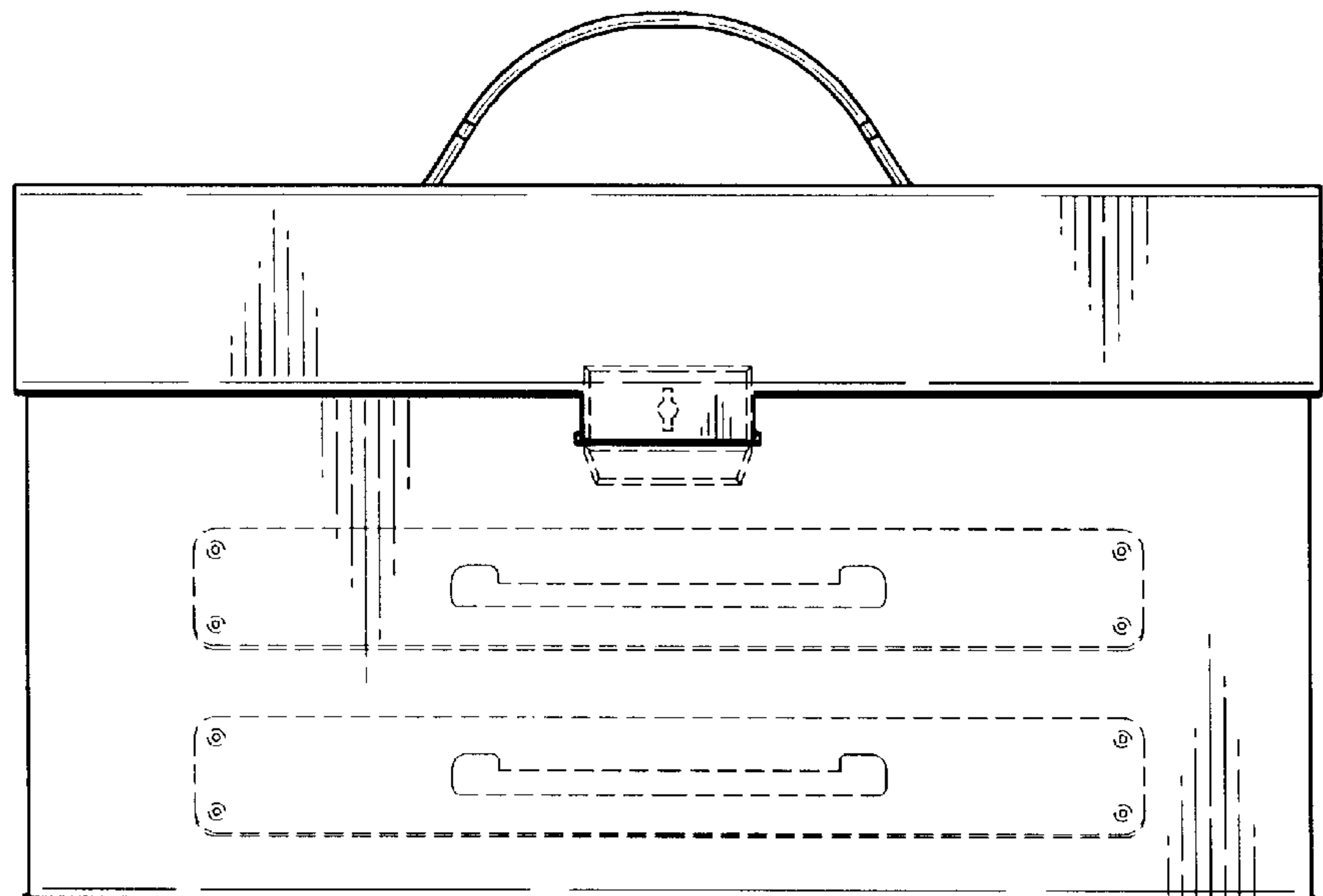
*Fig. 1*



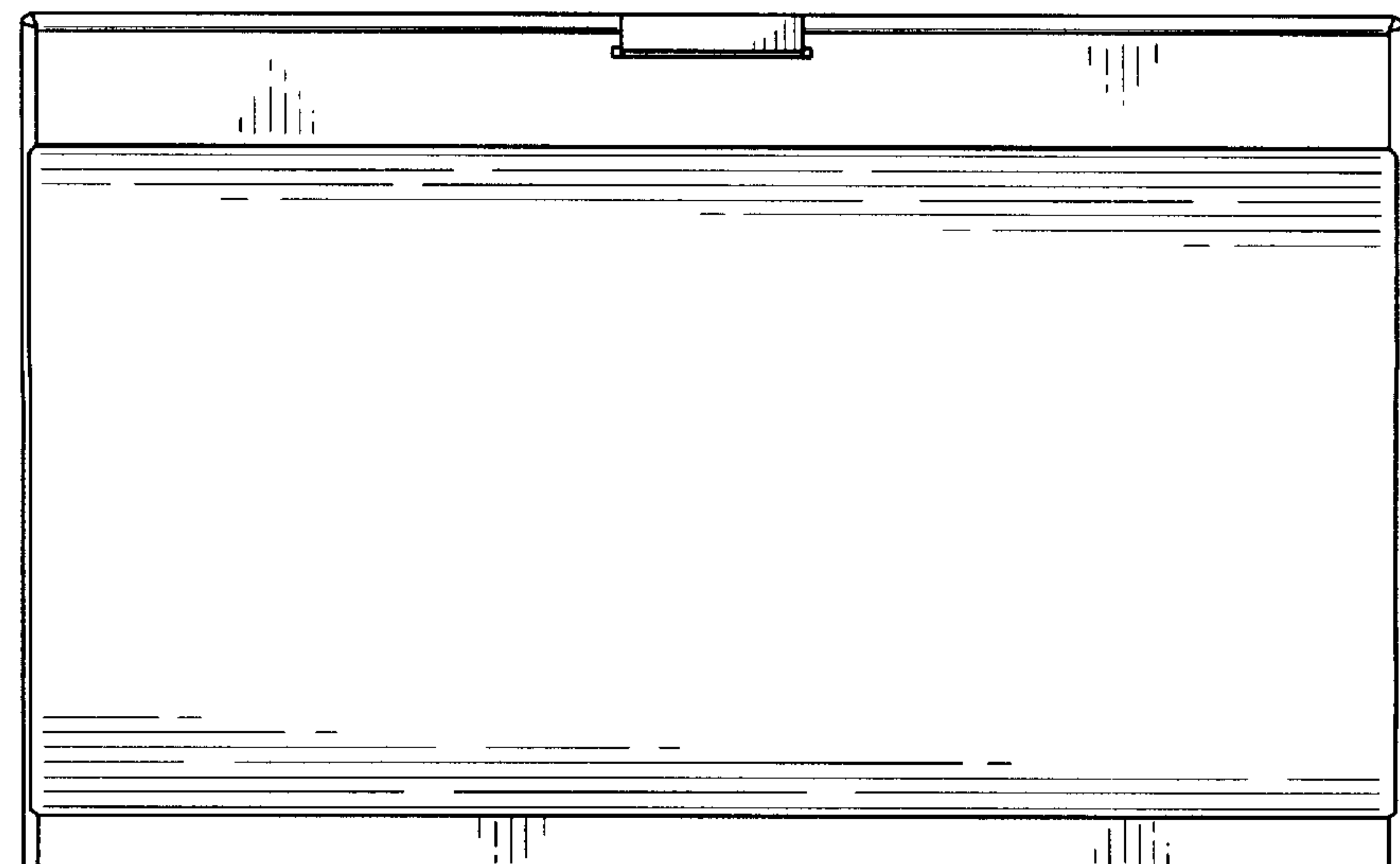
*Fig. 2*



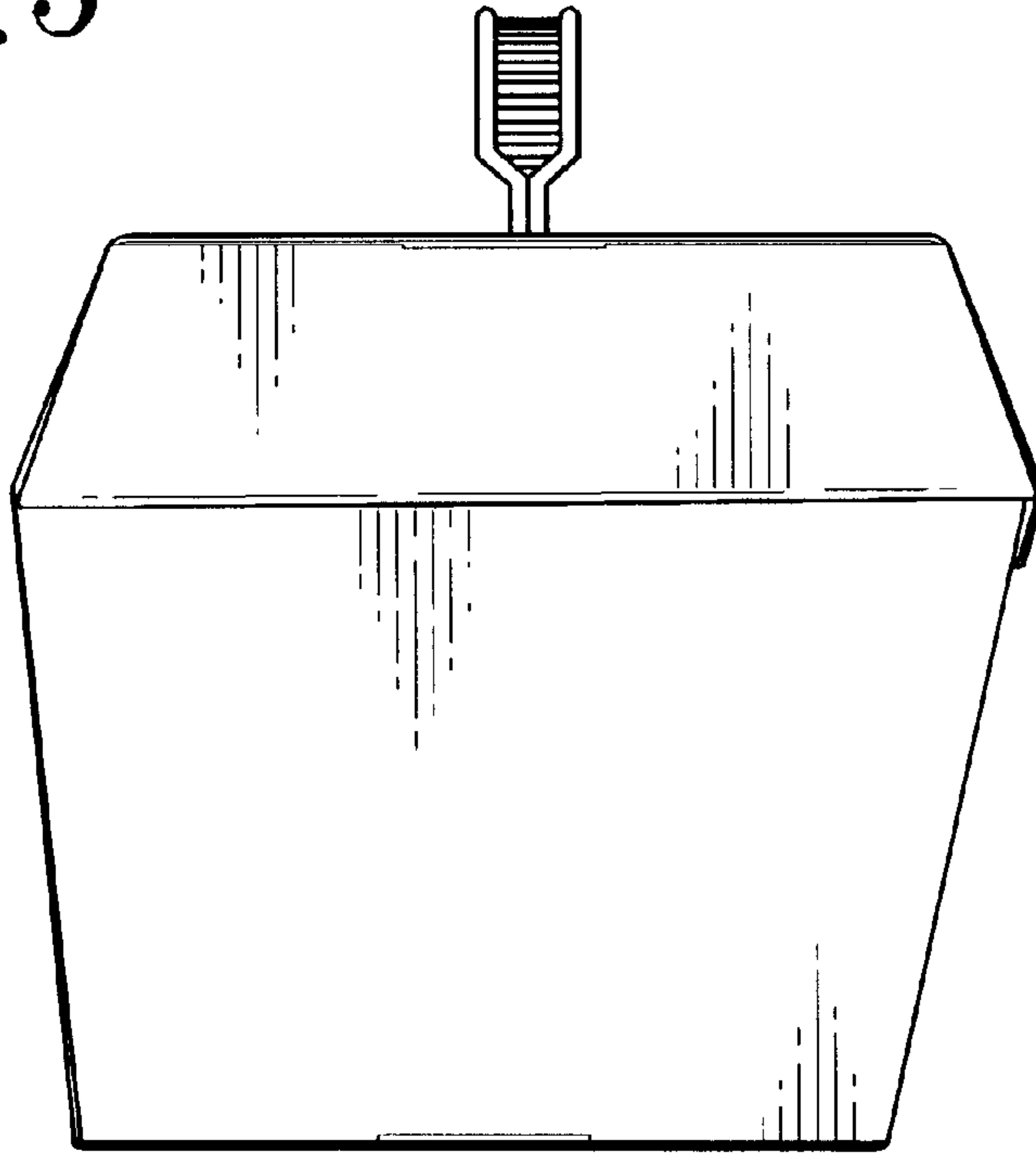
*Fig. 3*



*Fig. 4*



*Fig. 5*



*Fig. 6*

