



US00D420907S

# United States Patent [19]

Stacy-Ryan et al.

[11] Patent Number: **Des. 420,907**

[45] Date of Patent: **\*\* Feb. 22, 2000**

[54] **BEVELED EDGE CARTON**  
[75] Inventors: **Russell Stacy-Ryan**, Chicago; **David Anchor**, Union, both of Ill.; **Tommy Bo-Göran Ljungstrom**, Höör, Sweden

[73] Assignee: **Tetra Laval Holdings & Finance, SA**, Pully, Switzerland

[\*\*] Term: **14 Years**

[21] Appl. No.: **29/093,044**

[22] Filed: **Sep. 2, 1998**

[51] **LOC (7) Cl.** ..... **09-07**

[52] **U.S. Cl.** ..... **D9/417**

[58] **Field of Search** ..... D9/414, 416, 417, D9/432, 430, 424; 229/109, 108, 106, 249, 213, 214, 116.1, 922, 100

### [56] References Cited

#### U.S. PATENT DOCUMENTS

D. 244,993	7/1977	Drysdale	.....	D9/222
D. 391,847	3/1998	Seo et al.	.....	D9/417
D. 401,148	11/1998	Bouraoui et al.	.....	D9/432
D. 402,201	12/1998	Miller	.....	D9/430 X
2,050,894	8/1936	Paige	.....	229/116.1
2,815,164	12/1957	Painter	.....	229/109
2,841,319	7/1958	White et al.	.....	229/109 X
3,126,143	3/1964	Hagan	.....	229/37
4,076,147	2/1978	Schmit	.....	229/89

4,714,164	12/1987	Bachner	.....	206/518
4,798,296	1/1989	Lagerstedt et al.	.....	206/631.2
5,108,029	4/1992	Abrams et al.	.....	229/125.15 X
5,636,785	6/1997	Kalberer et al.	.....	229/137
5,704,541	1/1998	Mogard	.....	229/125.15
5,738,272	4/1998	Anchor et al.	.....	229/116.1 X

#### FOREIGN PATENT DOCUMENTS

0276893	1/1988	European Pat. Off.	.
0277673	1/1988	European Pat. Off.	.

*Primary Examiner*—Prabhakar Deshmukh  
*Attorney, Agent, or Firm*—Welsh & Katz, Ltd.

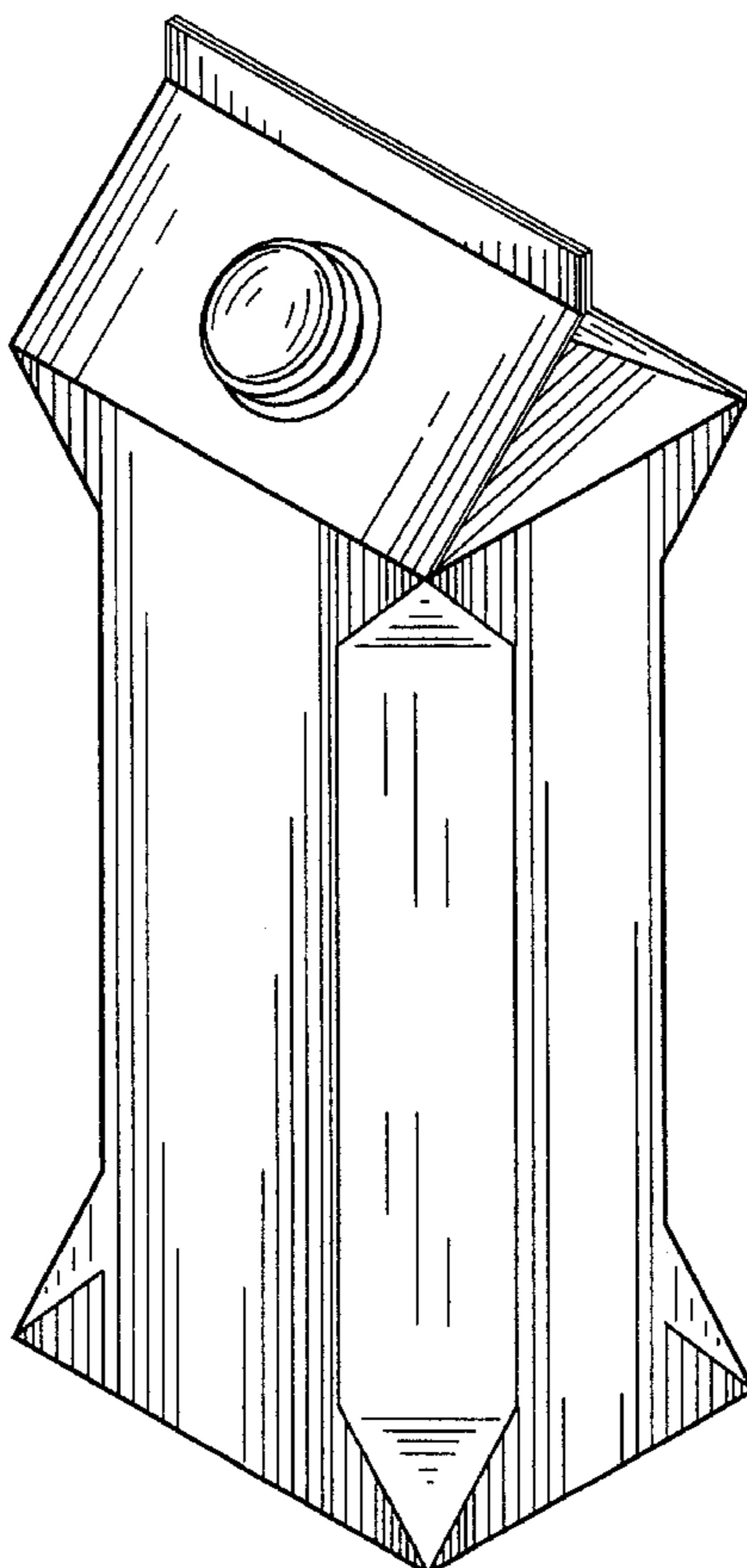
### [57] CLAIM

The ornamental design for a beveled edge carton, as shown and described.

#### DESCRIPTION

FIG. 1 is a front perspective view of a beveled edge carton showing our new design;  
FIG. 2 rear perspective view thereof;  
FIG. 3 is a front elevation view thereof, the rear elevational view being a mirror image thereof;  
FIG. 4 is a right side elevational view thereof, the left side elevational view being a mirror image thereof; and,  
FIG. 5 is a top plan view thereof.  
The bottom is unornamented and is not a part of the claimed design.

**1 Claim, 3 Drawing Sheets**



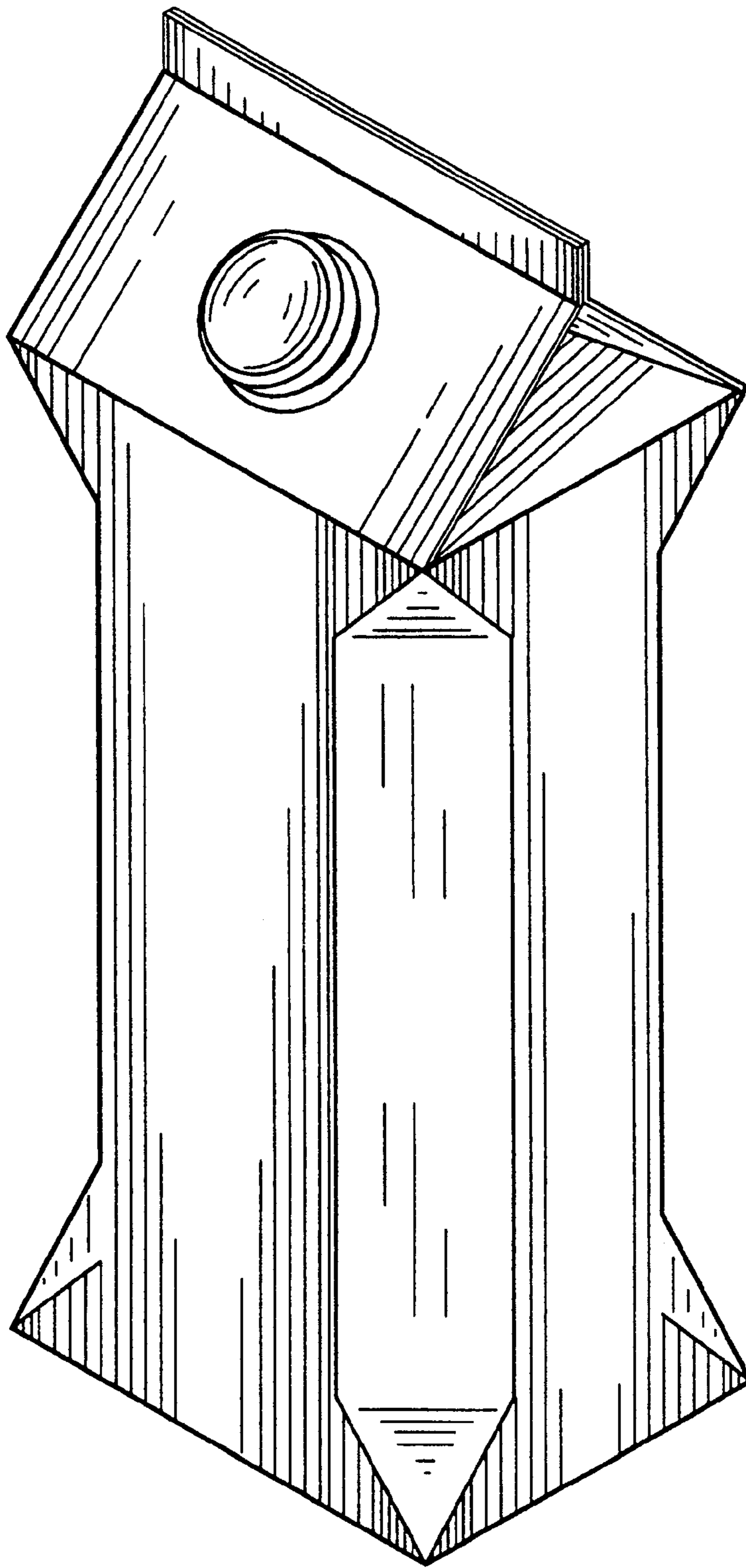


FIG. 1

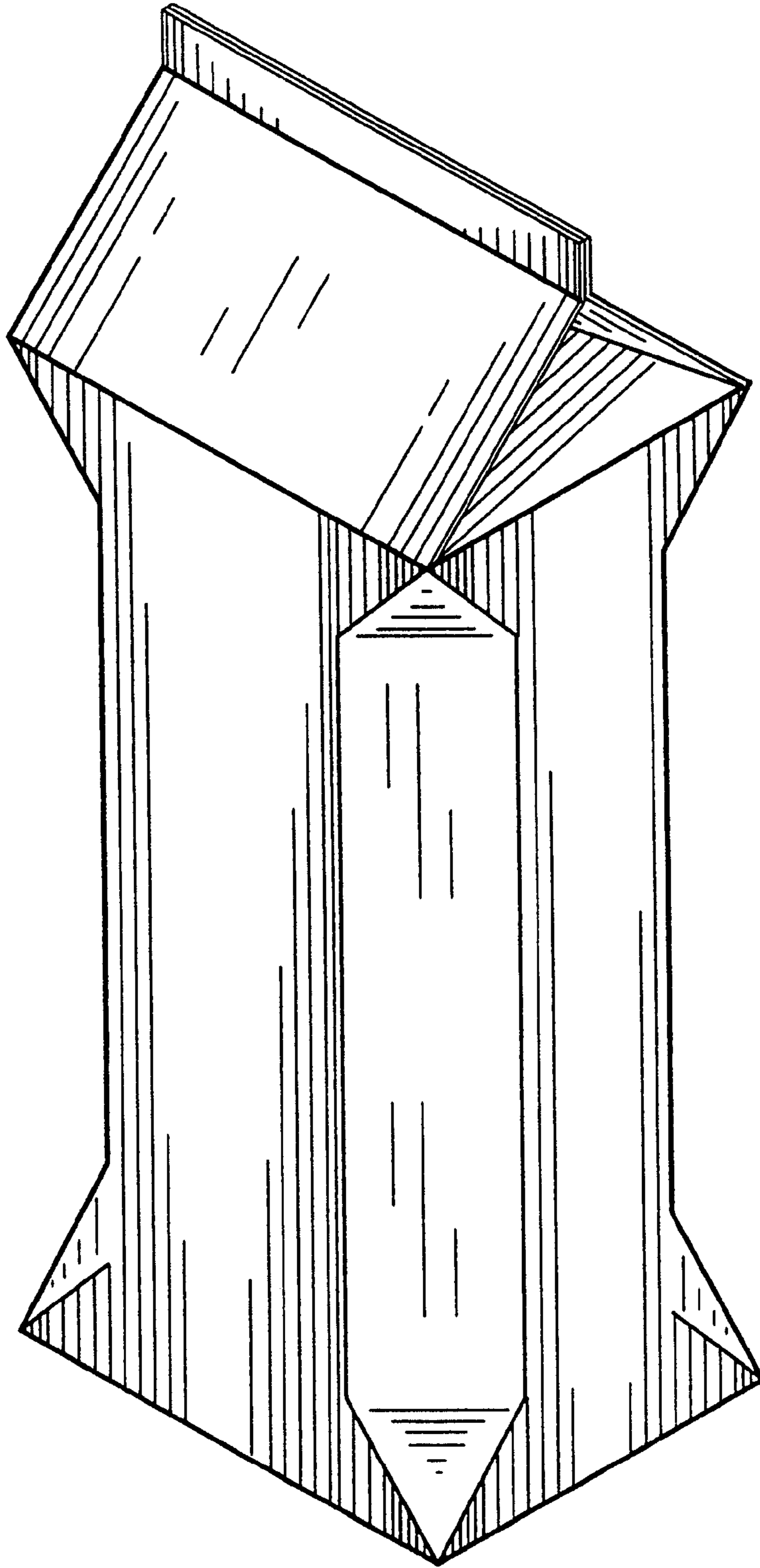


FIG. 2

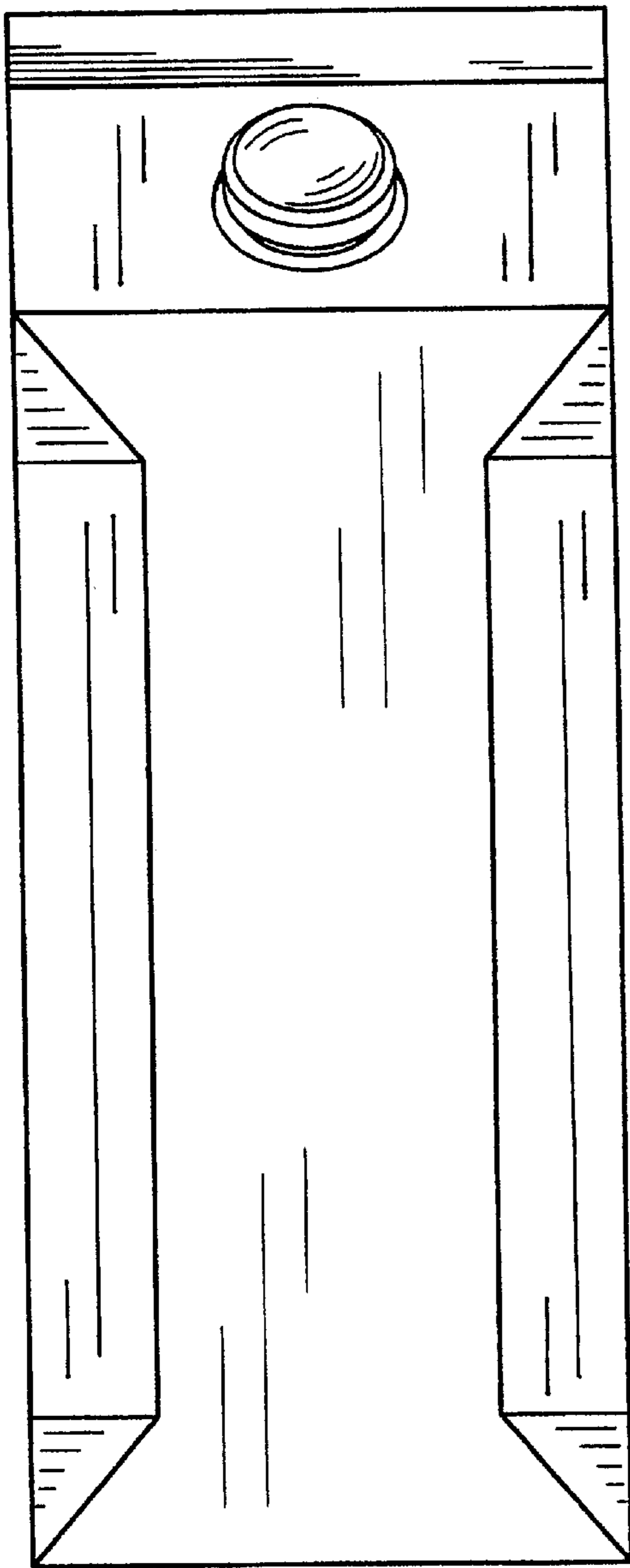


FIG. 3

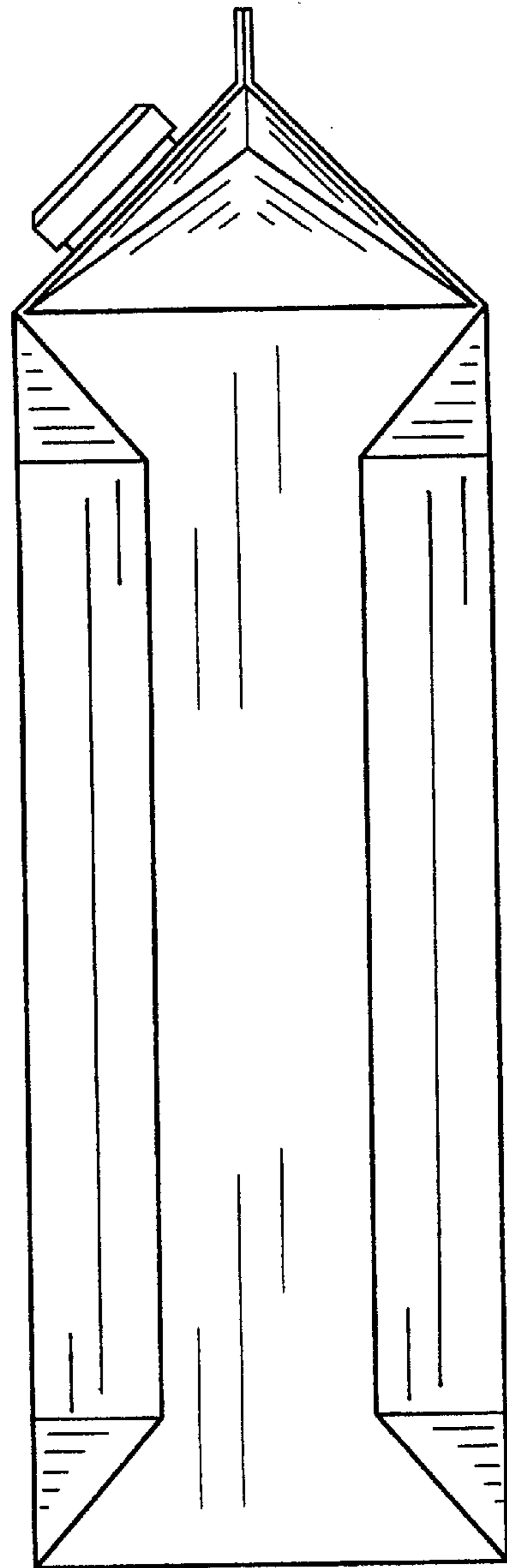


FIG. 4

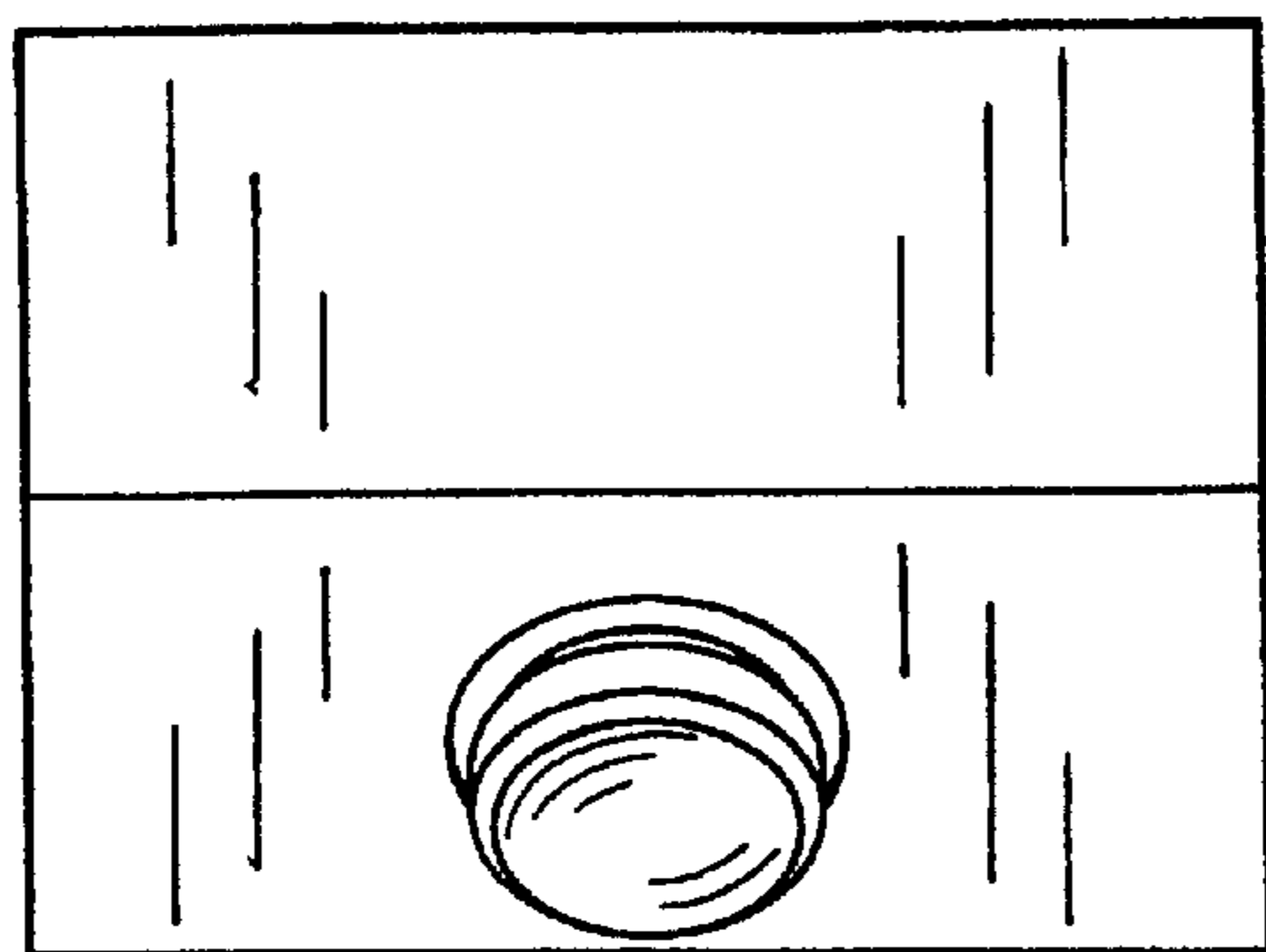


FIG. 5