



US00D420905S

# United States Patent [19] Adkins

[11] Patent Number: **Des. 420,905**

[45] Date of Patent: **\*\* Feb. 22, 2000**

[54] **DISPLAY PACKAGE**

[75] Inventor: **Richard E Adkins**, Oak Creek, Wis.

[73] Assignee: **Adkins Collectibles Ltd.**, Oak Creek, Wis.

[\*\*] Term: **14 Years**

[21] Appl. No.: **29/096,631**

[22] Filed: **Nov. 17, 1998**

[51] **LOC (7) Cl.** ..... **09-07**

[52] **U.S. Cl.** ..... **D9/415**

[58] **Field of Search** ..... D9/414, 415, 418,  
D9/337, 456; 206/461-471, 495, 806, 775-779,  
769-773

[56] **References Cited**

**U.S. PATENT DOCUMENTS**

D. 296,988	8/1988	Yamada	.....	D9/415
D. 305,000	12/1989	Hernandez	.....	D9/415
D. 311,332	10/1990	Miller et al.	.....	D9/415
3,467,248	9/1969	Makowicki	.....	206/462 X
3,487,915	1/1970	Scott	.....	206/461
3,939,979	2/1976	Neumayer	.....	206/461
4,199,058	4/1980	Lense et al.	.....	206/461 X
4,326,546	4/1982	Acker	.....	206/461 X
5,139,139	8/1992	Goetz	.....	206/462 X
5,209,354	5/1993	Thornhill et al.	.....	206/470 X
5,735,404	4/1998	Kumakura et al.	.....	206/469

**OTHER PUBLICATIONS**

Modern Packaging Catalog, p. 300, Jan. 1941.  
Techform Inc. (From 206/461 Shoe), Nov. 1982.

*Primary Examiner*—Prabhakar Deshmukh

*Attorney, Agent, or Firm*—Andrus, Scales, Starke & Sawall

[57] **CLAIM**

The ornamental design for a display package, as shown and described.

**DESCRIPTION**

FIG. 1 is a perspective view of a display package showing my new design;

FIG. 2 is a front elevational view of the display package shown in FIG. 1;

FIG. 3 is a top view of the display package shown in FIG. 1;

FIG. 4 is a view of the display package taken from the left side of FIG. 1;

FIG. 5 is a view of the display package taken from the right side of FIG. 1;

FIG. 6 is a bottom view of the display package shown in FIG. 1;

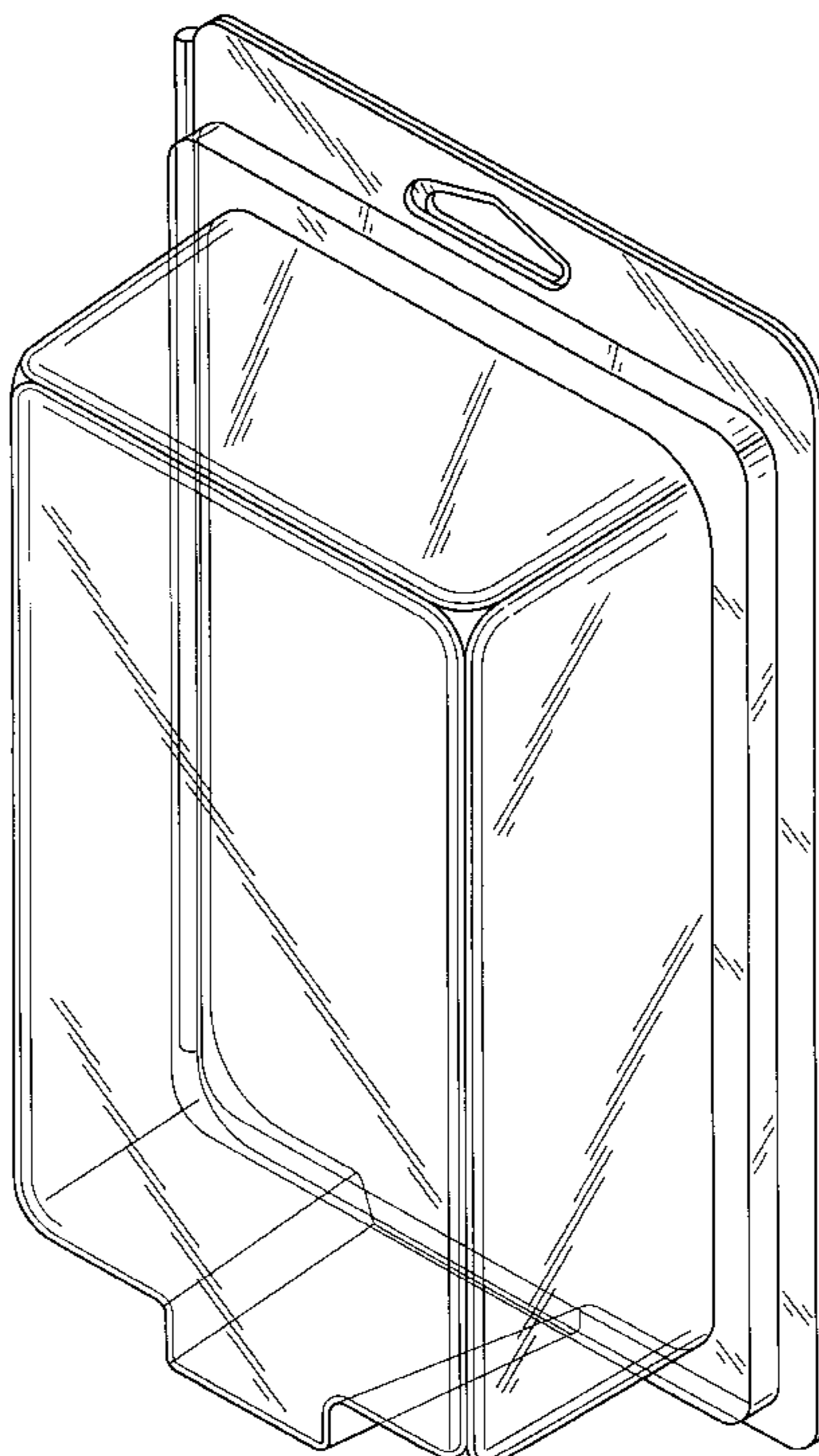
FIG. 7 is a rear view of the display package shown in FIG. 1;

FIG. 8 is a cross-sectional view of the display package taken on line 8—8 of FIG. 7;

FIG. 9 is a cross-sectional view of the display package taken on line 9—9 of FIG. 7; and,

FIG. 10 is an enlarged detail view of the display package taken on line 10—10 of FIG. 8.

**1 Claim, 5 Drawing Sheets**



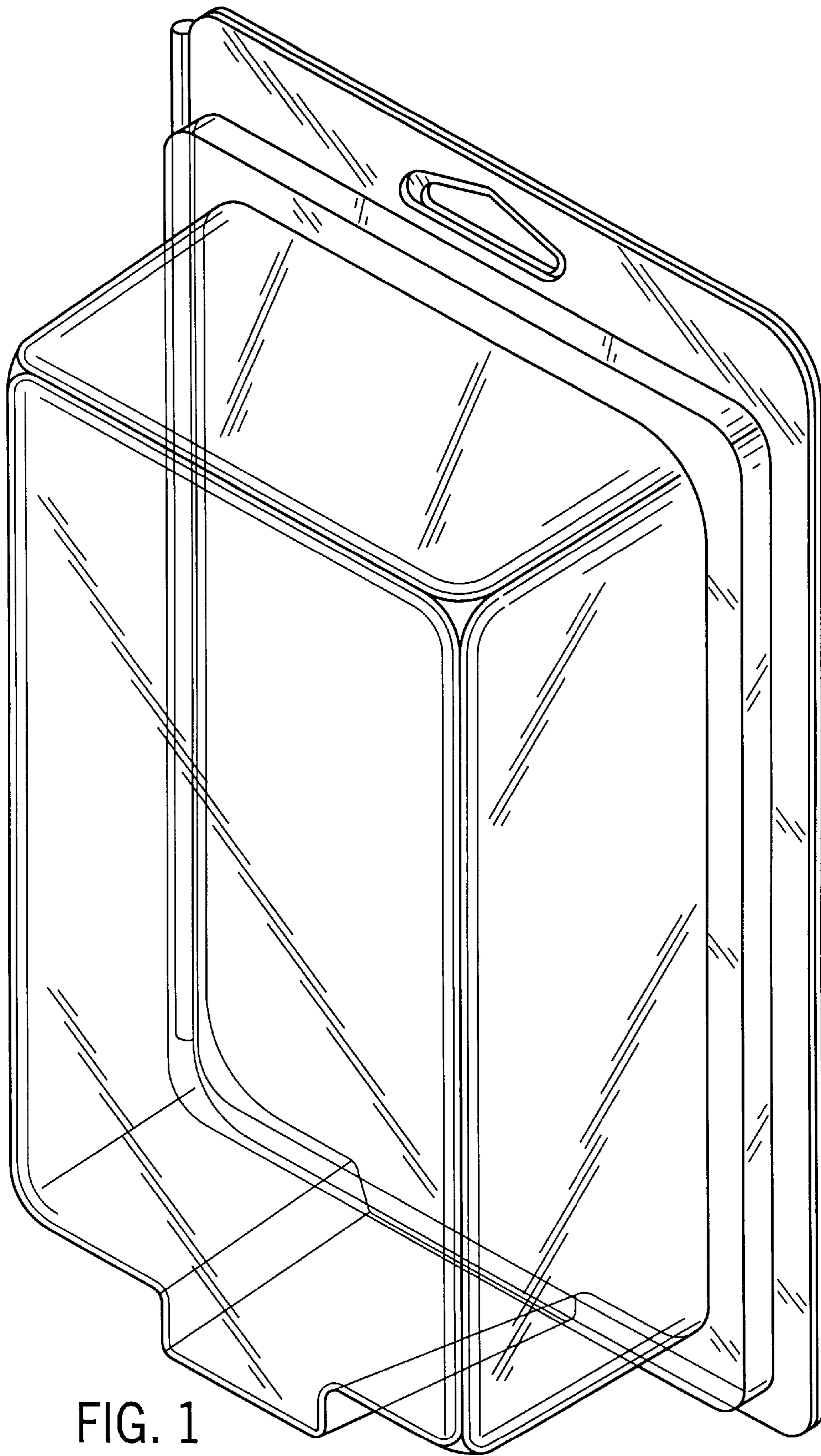


FIG. 1

FIG. 2

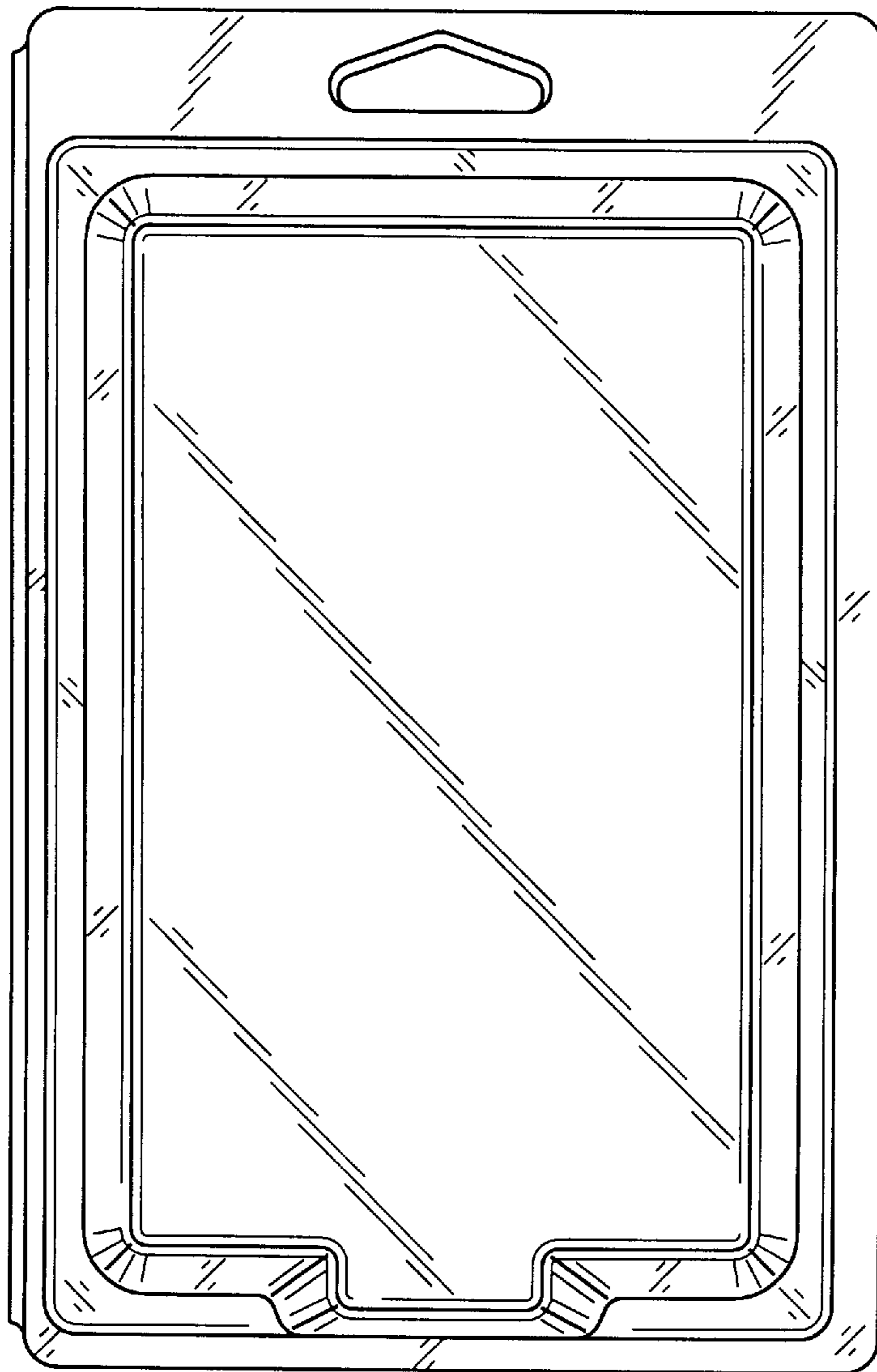
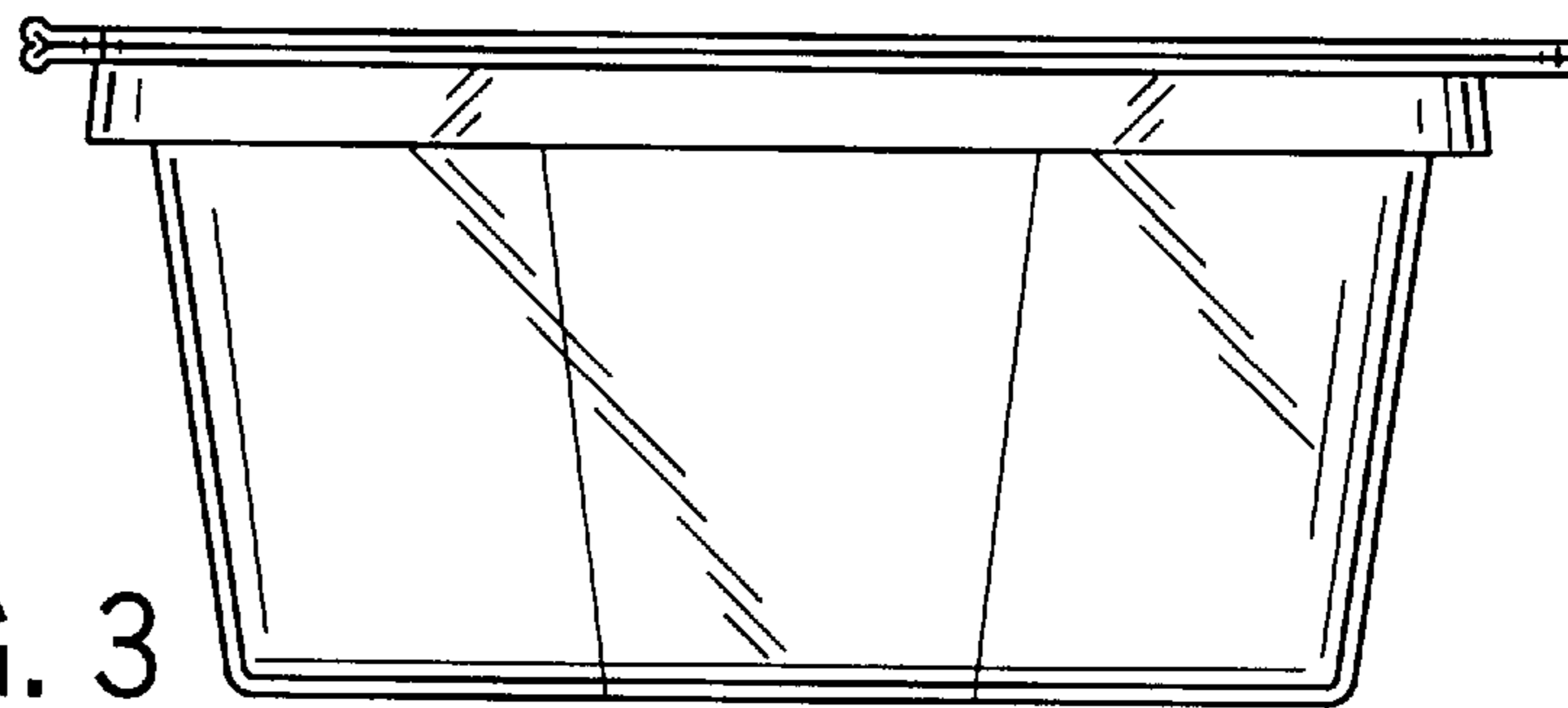


FIG. 3



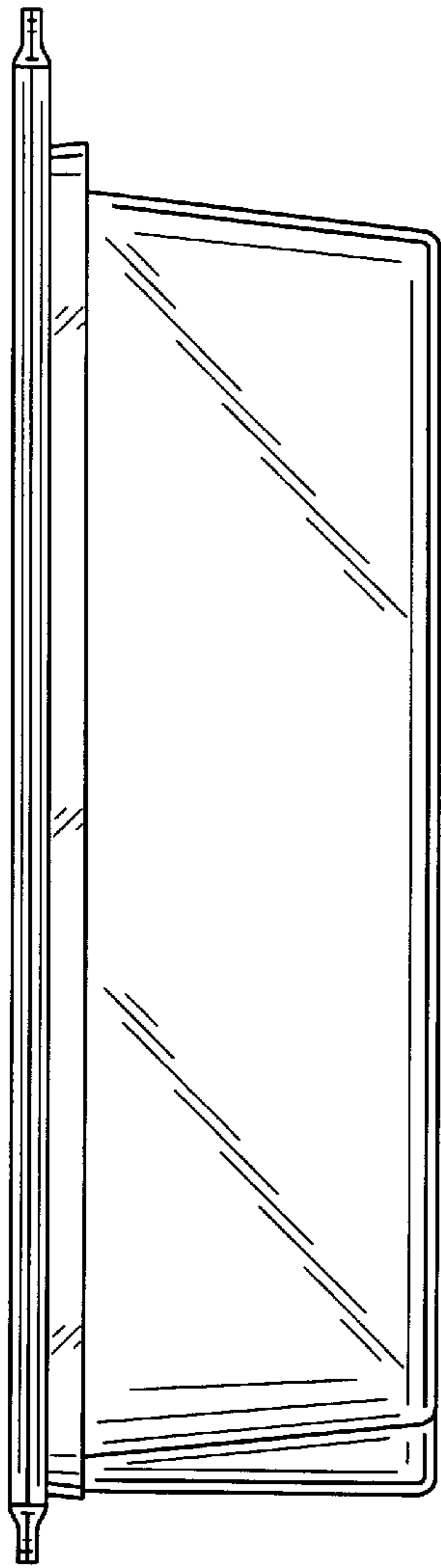


FIG. 4

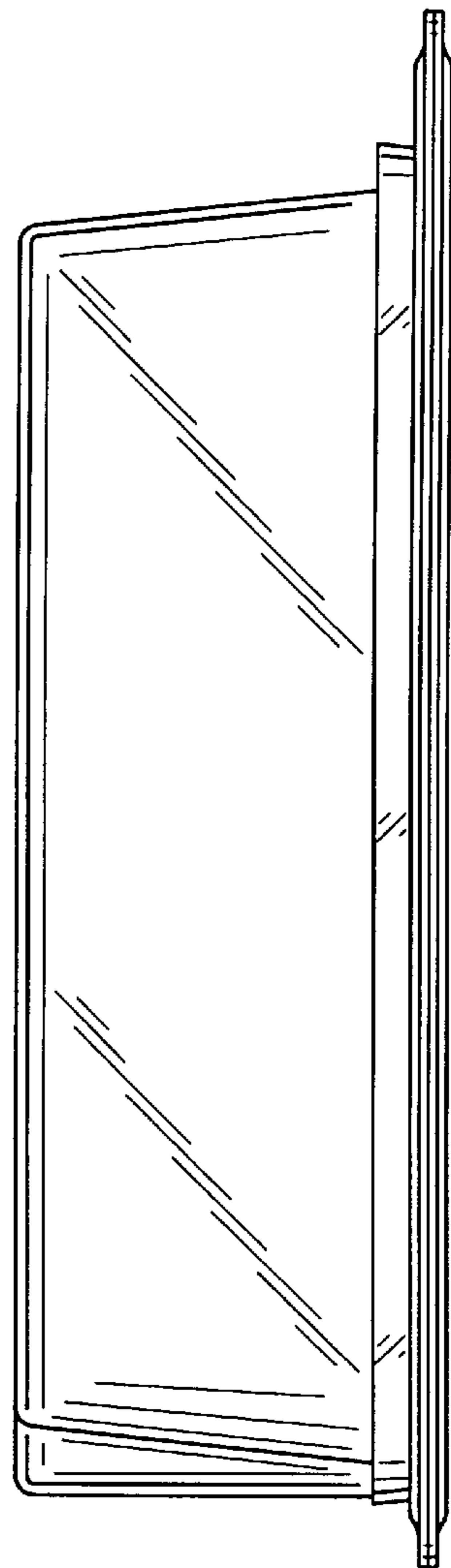


FIG. 5

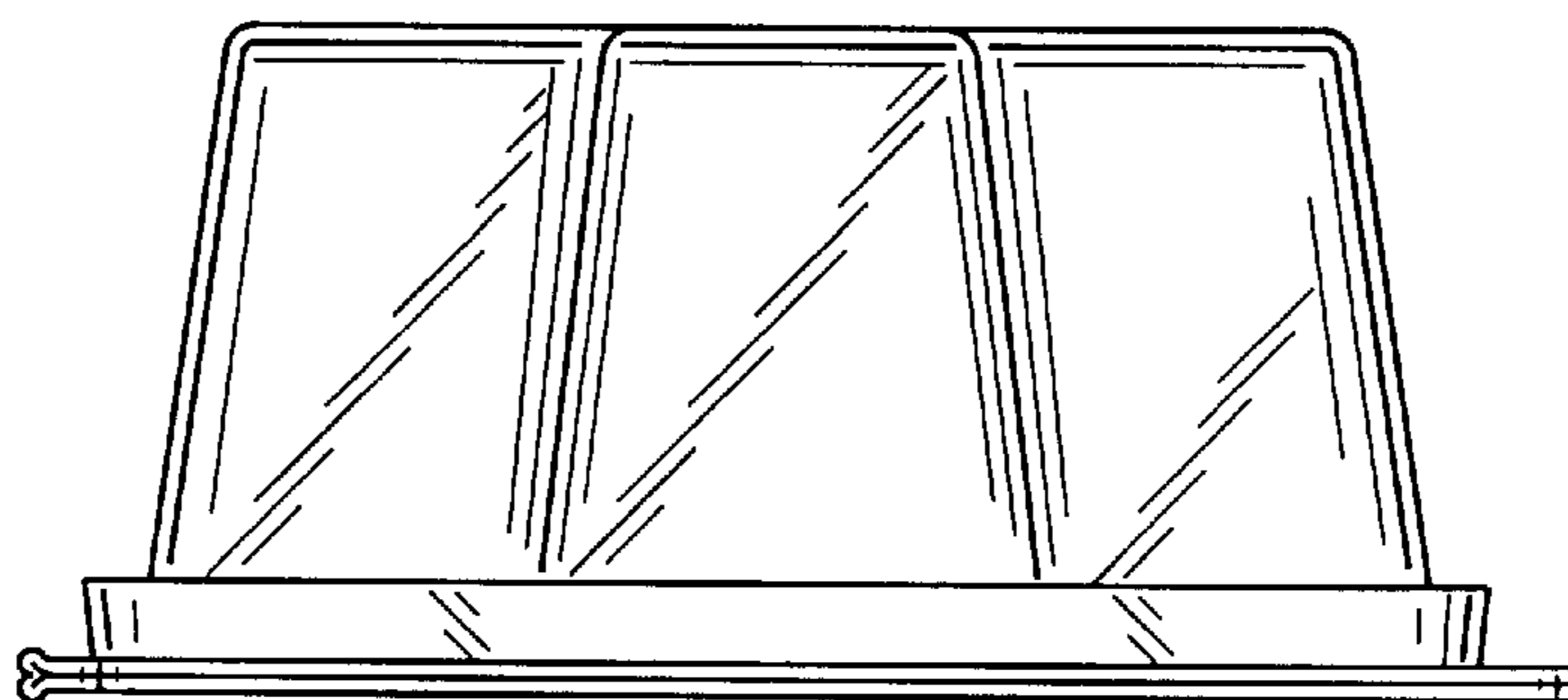


FIG. 6

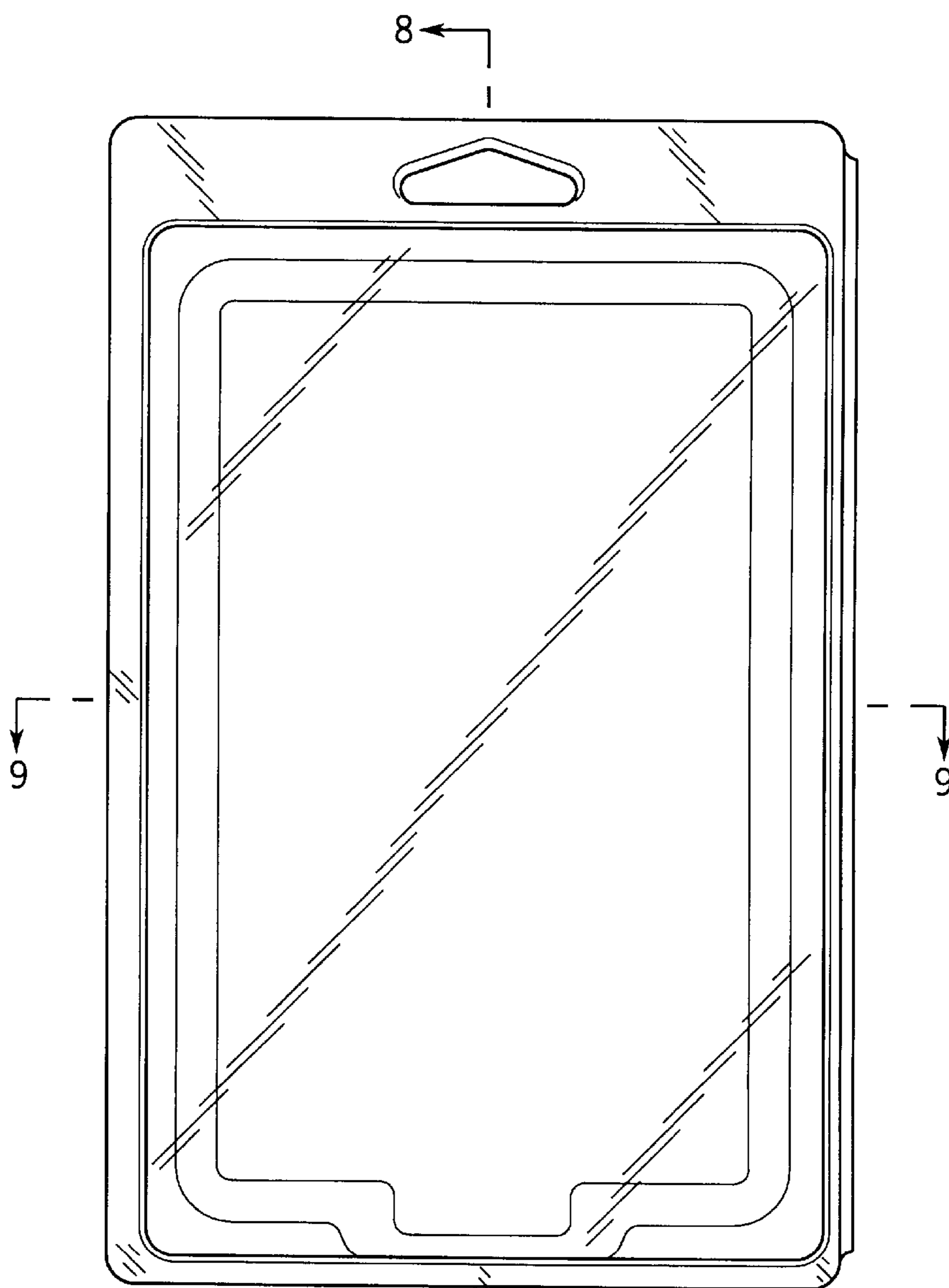


FIG. 7

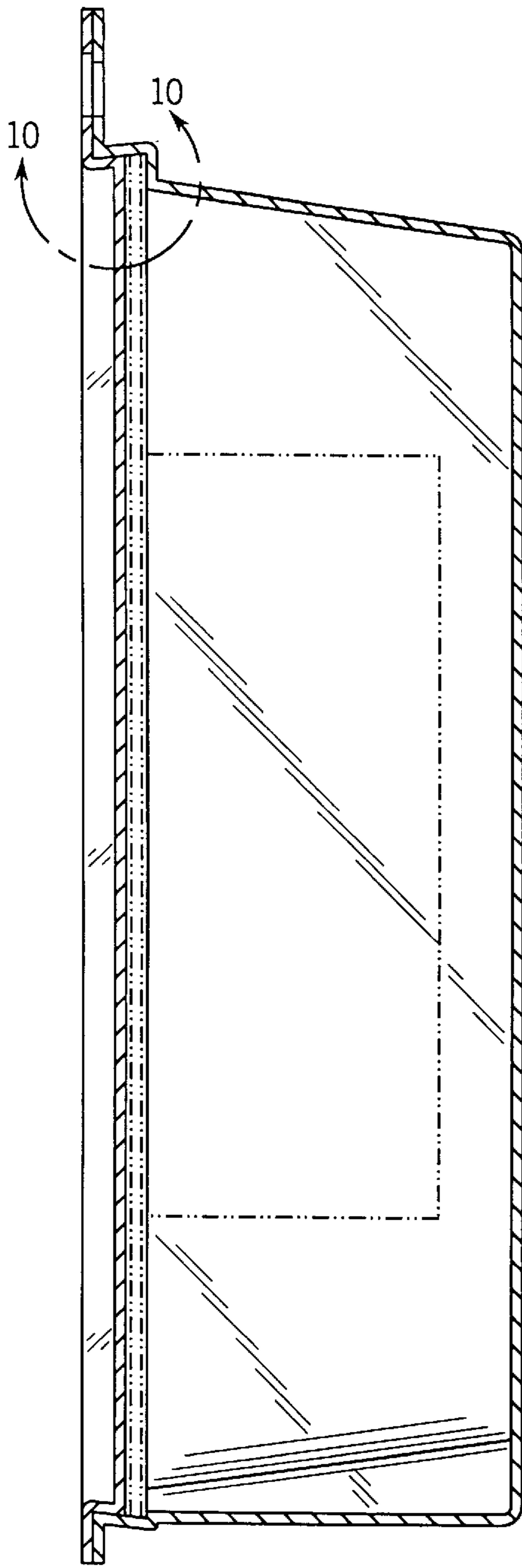


FIG. 8

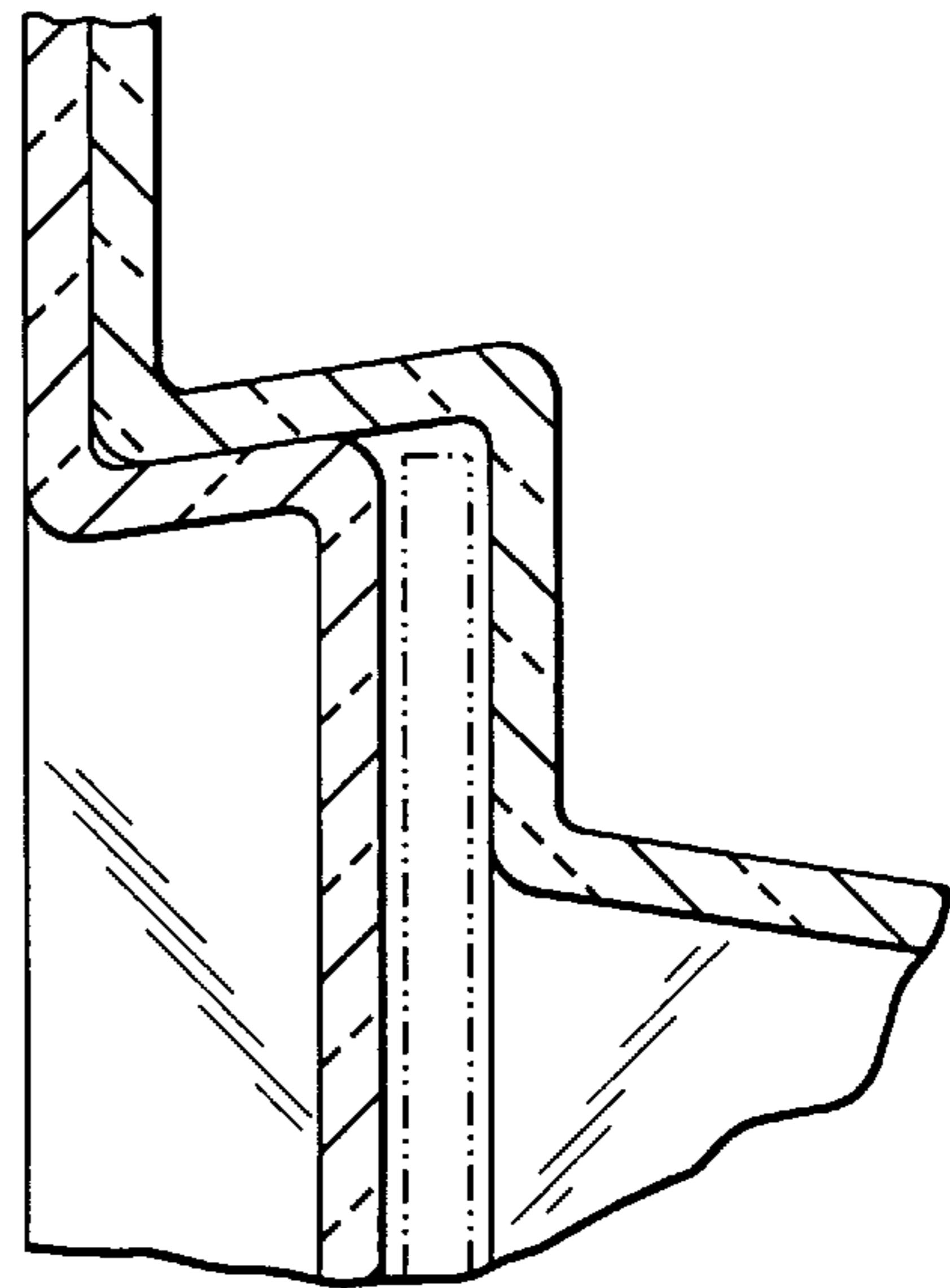


FIG. 10

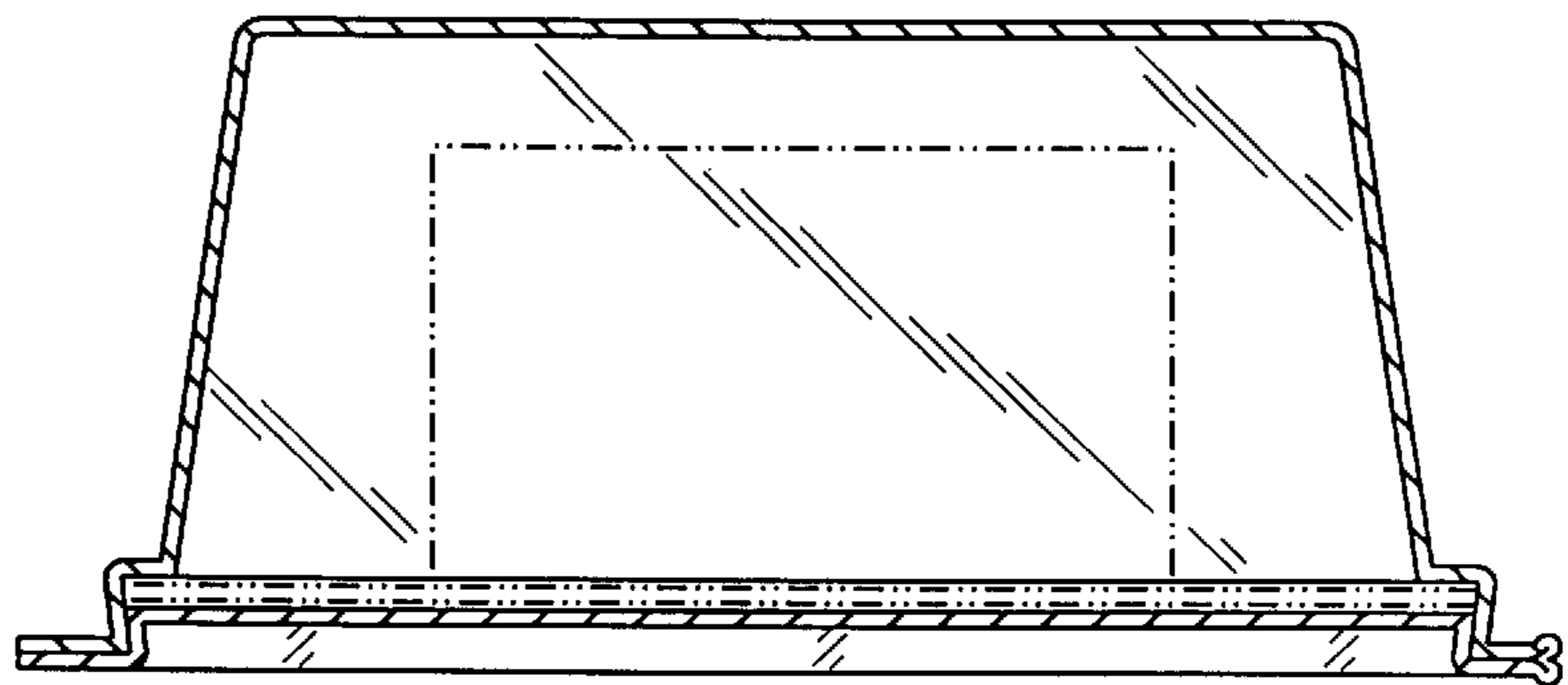


FIG. 9