



US00D420897S

# United States Patent [19]

Fuller et al.

[11] Patent Number: **Des. 420,897**

[45] Date of Patent: **\*\* Feb. 22, 2000**

[54] LUG NUT

[75] Inventors: **Everett Fuller**, Mission Viejo; **Russell Fuller**, Huntington Beach, both of Calif.

[73] Assignee: **Coyote Enterprises, Inc.**, Anaheim, Calif.

[\*\*] Term: **14 Years**

[21] Appl. No.: **29/085,909**

[22] Filed: **Apr. 1, 1998**

### Related U.S. Application Data

[63] Continuation of application No. 08/758,700, Dec. 3, 1996, Pat. No. 5,797,659.

[51] LOC (7) Cl. .... **08-08**

[52] U.S. Cl. .... **D8/397**

[58] Field of Search ..... D8/397, 399; 411/429, 411/410, 910; 301/111, 35.62, 177.2

### [56] References Cited

#### U.S. PATENT DOCUMENTS

D. 241,520 9/1976 Fajia ..... D8/397

D. 243,317	2/1977	Fukuyama	.....	D8/397
D. 244,175	5/1977	Fukuyama	.....	D8/397
D. 254,232	2/1980	Ono	.....	D8/397
D. 254,291	2/1980	Ono	.....	D8/397
D. 262,354	12/1981	Kishida	.....	D8/397
D. 288,777	3/1987	Kwon	.....	D8/397
D. 298,737	11/1988	Wallace	.....	D8/397
D. 356,493	3/1995	Holzapfel et al.	.....	D8/397
5,797,659	8/1998	Fuller	.....	411/410

*Primary Examiner*—Mitchell I Siegel  
*Attorney, Agent, or Firm*—Fulwider Patton Lee & Utecht, LLP

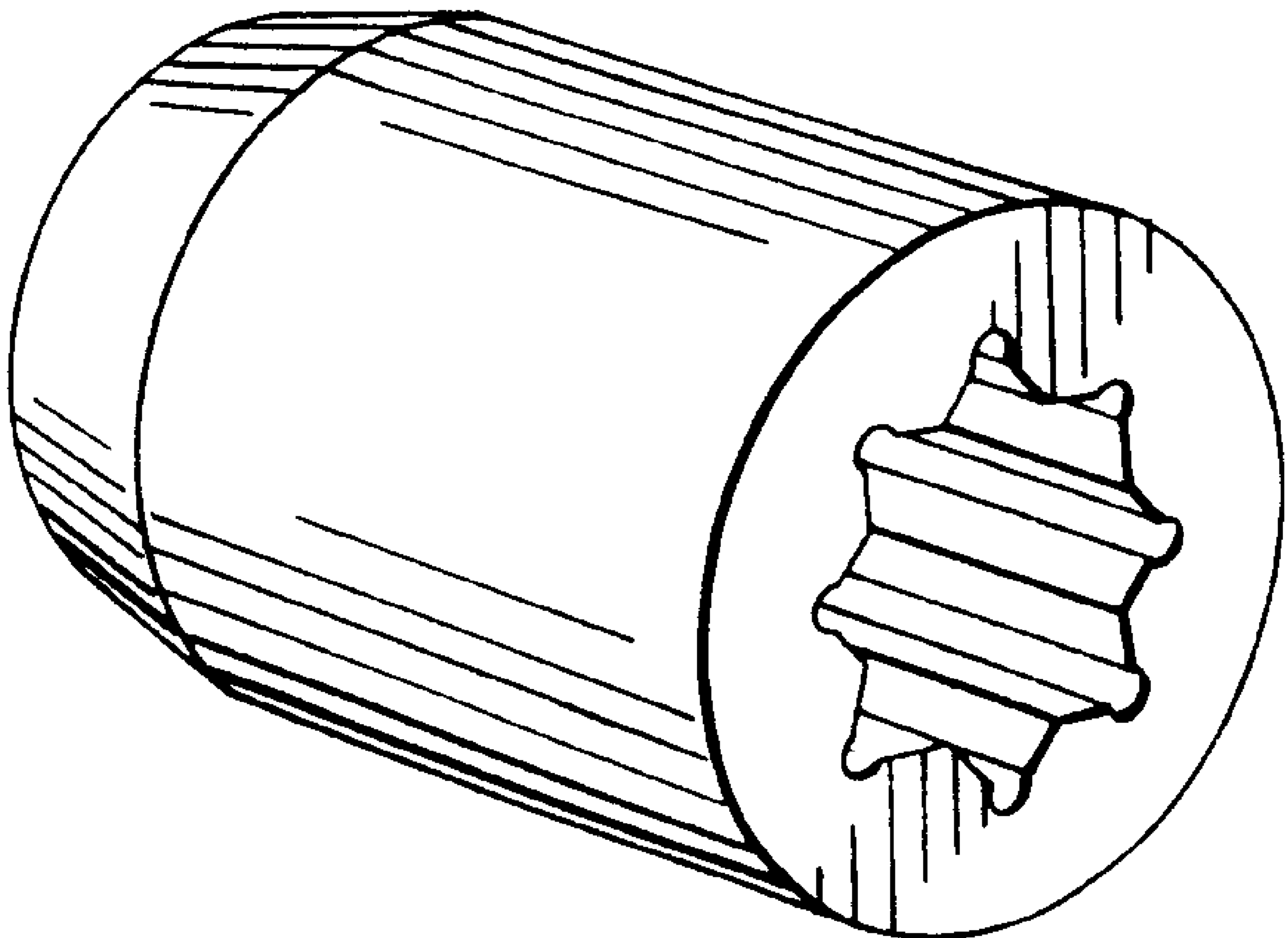
### [57] CLAIM

The ornamental design for a lug nut, as shown and described.

### DESCRIPTION

FIG. 1 is a perspective view of the lug nut showing my new design;  
FIG. 2 is a front view, in enlarged scale, thereof the undisclosed sides are identical;  
FIG. 3 is a left end view, in enlarged scale, thereof; and,  
FIG. 4 is a right end view, in enlarged scale, thereof.

**1 Claim, 1 Drawing Sheet**



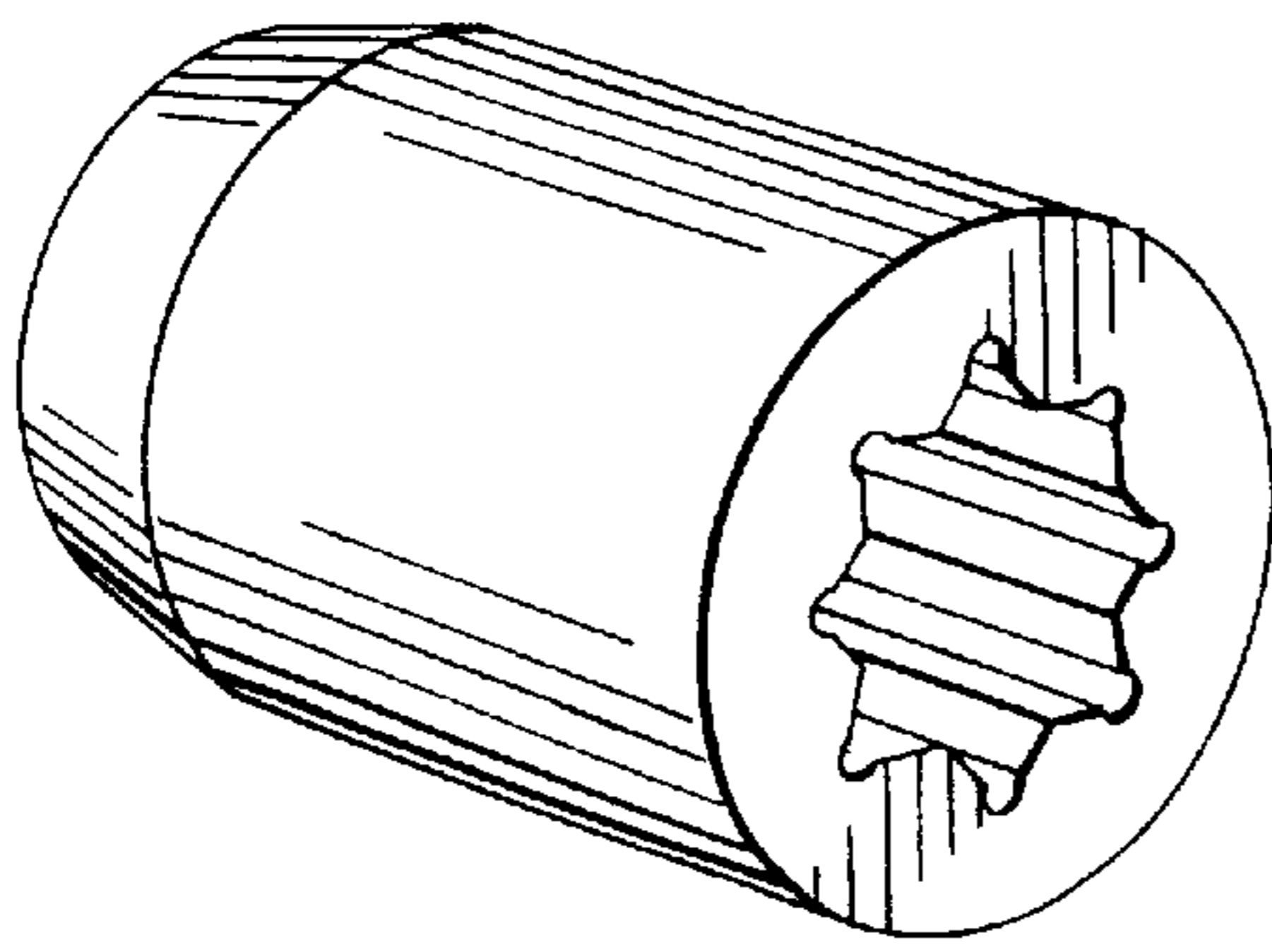


FIG. 1

FIG. 2

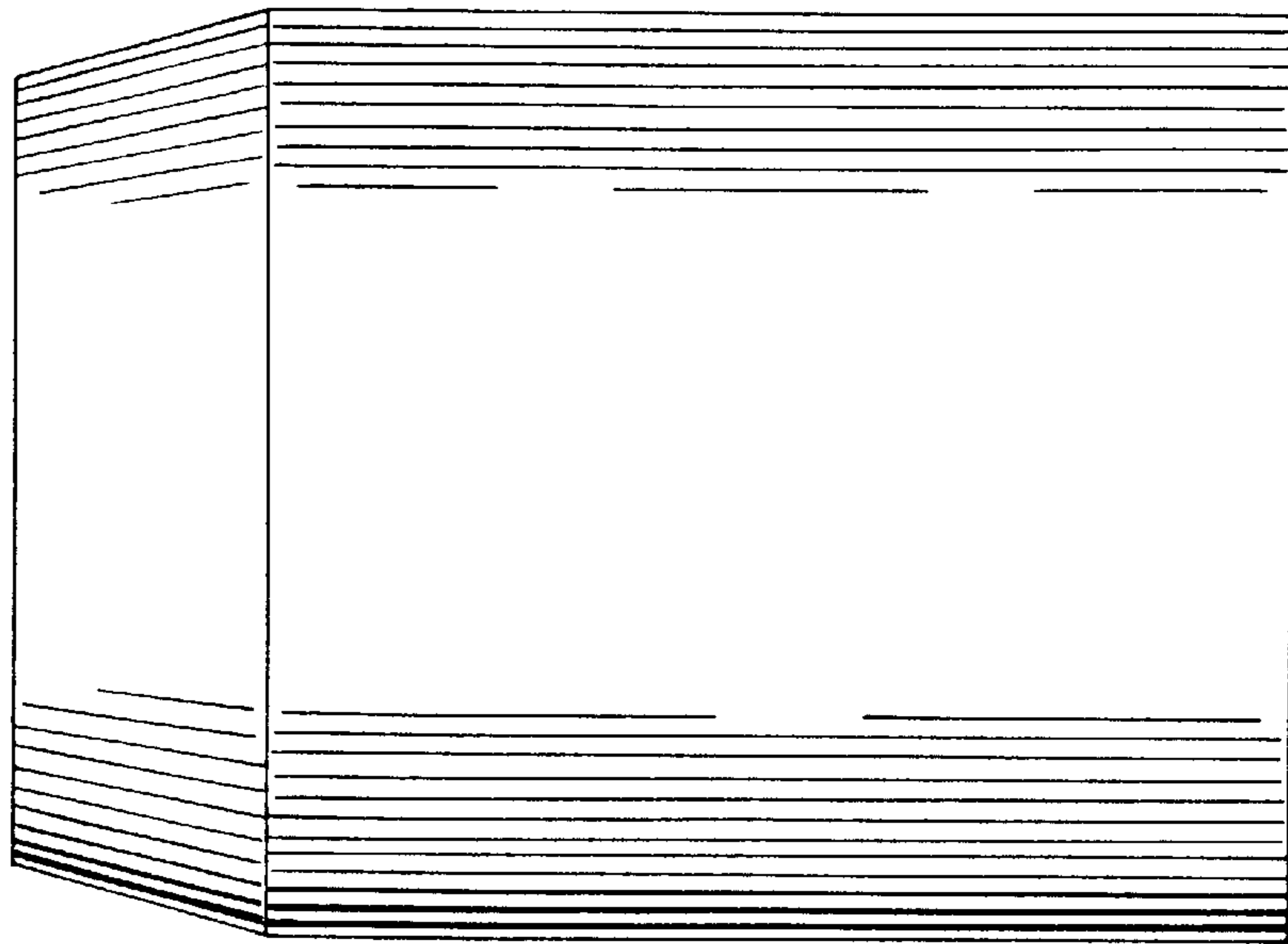


FIG. 3

FIG. 4

