



US00D420894S

**United States Patent** [19]  
**Wang**

[11] **Patent Number: Des. 420,894**

[45] **Date of Patent: \*\* Feb. 22, 2000**

[54] **MULTI-SWIVEL CONNECTOR**

[75] Inventor: **Yong Wang**, Ossining, N.Y.

[73] Assignee: **UNEX Corporation**, Mahwah, N.J.

[\*\*] Term: **14 Years**

[21] Appl. No.: **29/104,023**

[22] Filed: **Apr. 27, 1999**

**Related U.S. Application Data**

[62] Division of application No. 29/097,703, Dec. 11, 1998.

[51] **LOC (7) Cl.** ..... **08-08**

[52] **U.S. Cl.** ..... **D8/382**

[58] **Field of Search** ..... D8/382; 403/292,  
403/295-296, 405.1

[56] **References Cited**

**U.S. PATENT DOCUMENTS**

D. 373,720 9/1996 Hirano et al. .... D8/382

*Primary Examiner*—Holly Baynham  
*Attorney, Agent, or Firm*—Michael J. Striker

[57] **CLAIM**

The ornamental design for a multi-swivel connector, as shown and described.

**DESCRIPTION**

FIG. 1 is a perspective view of a multi-swivel connector showing my new design;

FIG. 2 is an end view thereof;

FIG. 3 is the opposite end view thereof;

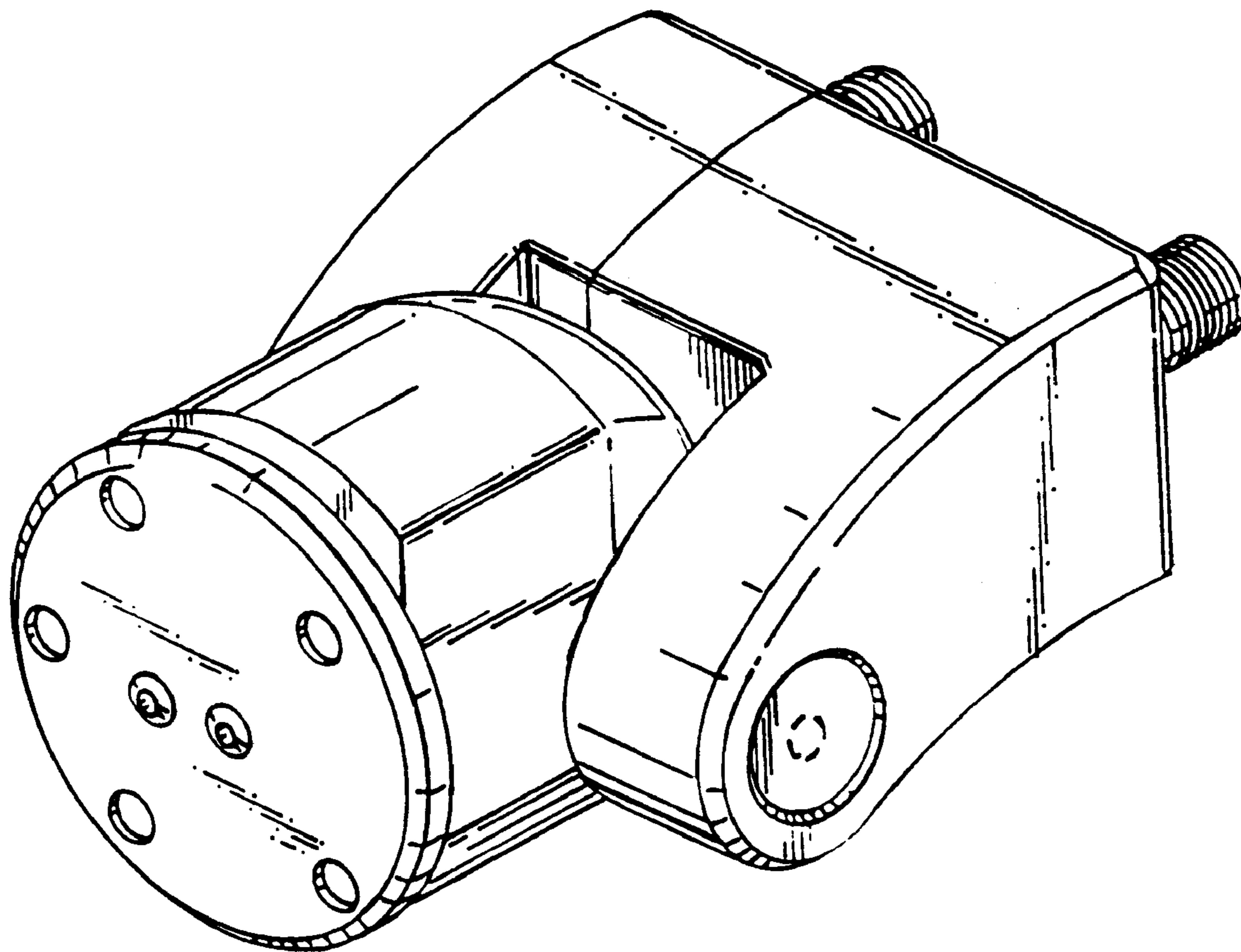
FIG. 4 is a side view thereof;

FIG. 5 is the opposite side view thereof;

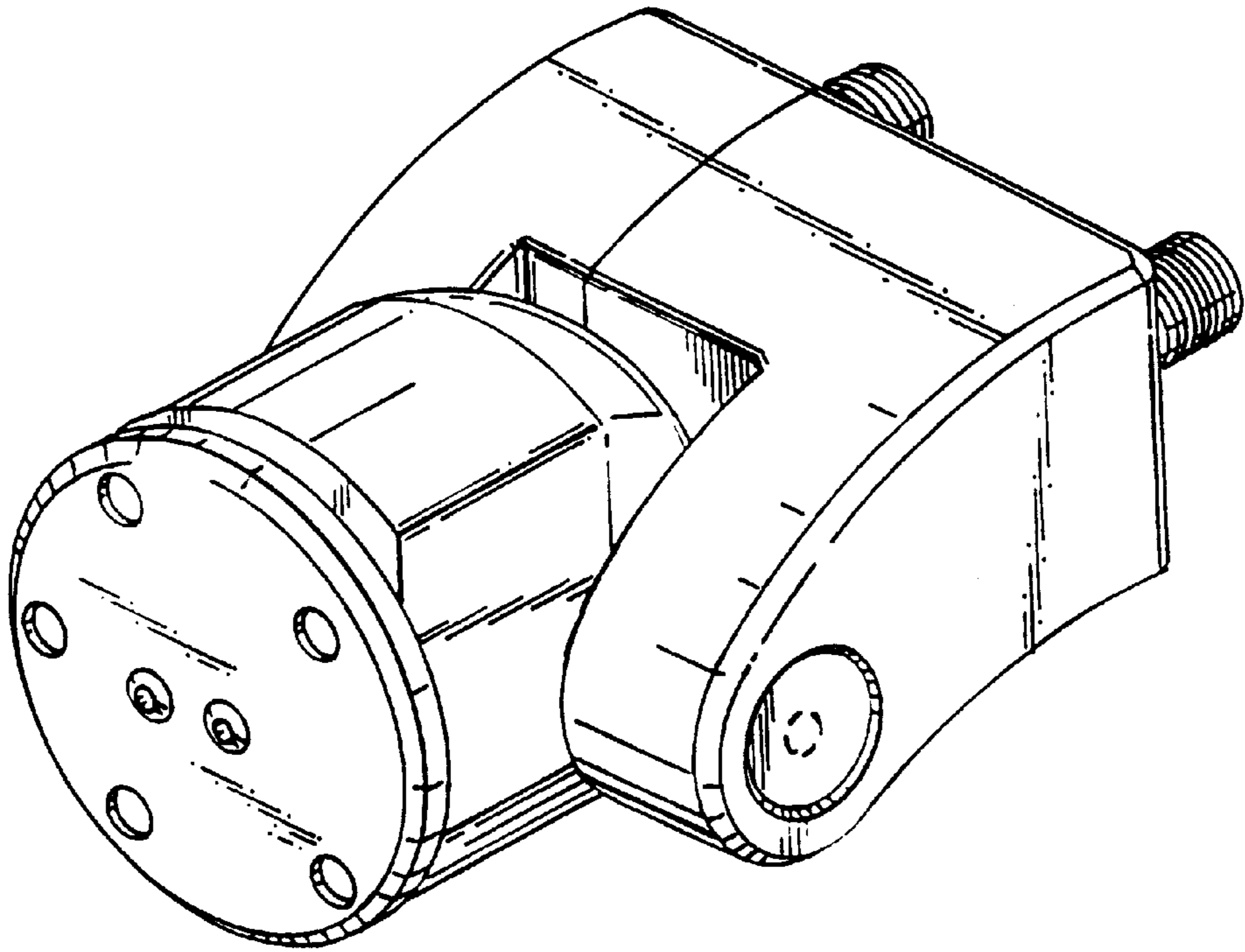
FIG. 6 is a top plan view thereof; and,

FIG. 7 is a bottom plan view thereof.

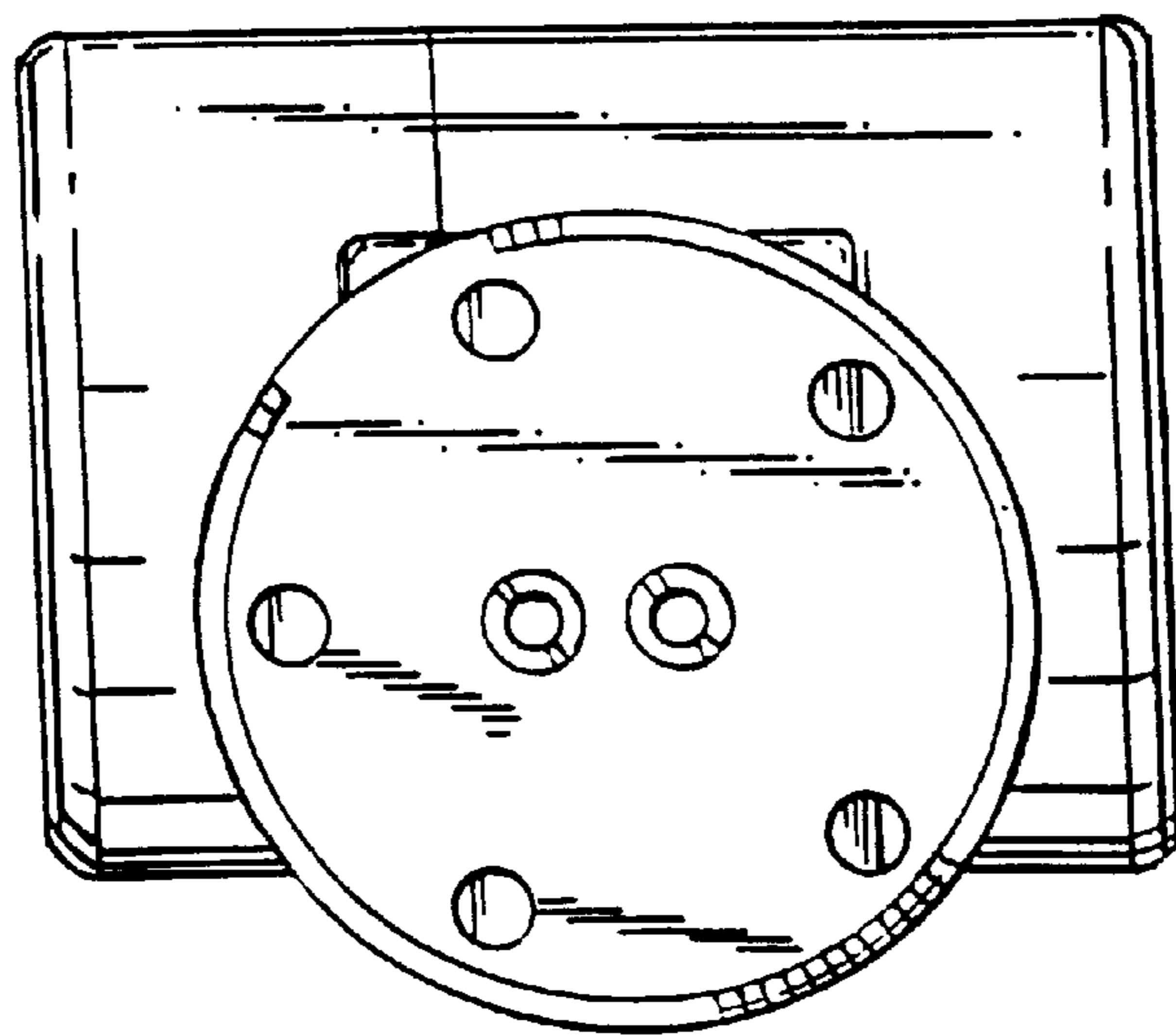
**1 Claim, 3 Drawing Sheets**



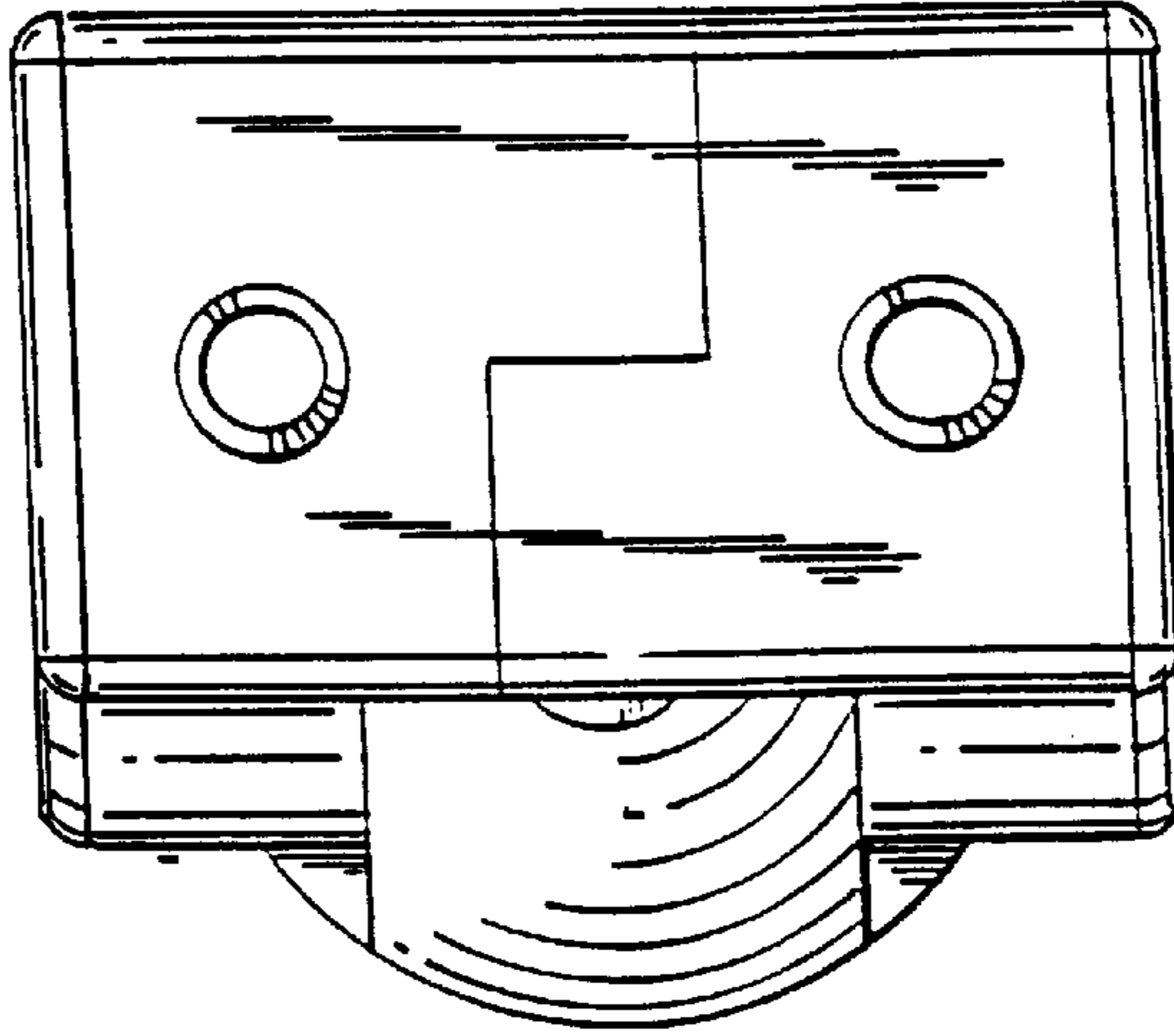
*FIG. 1*



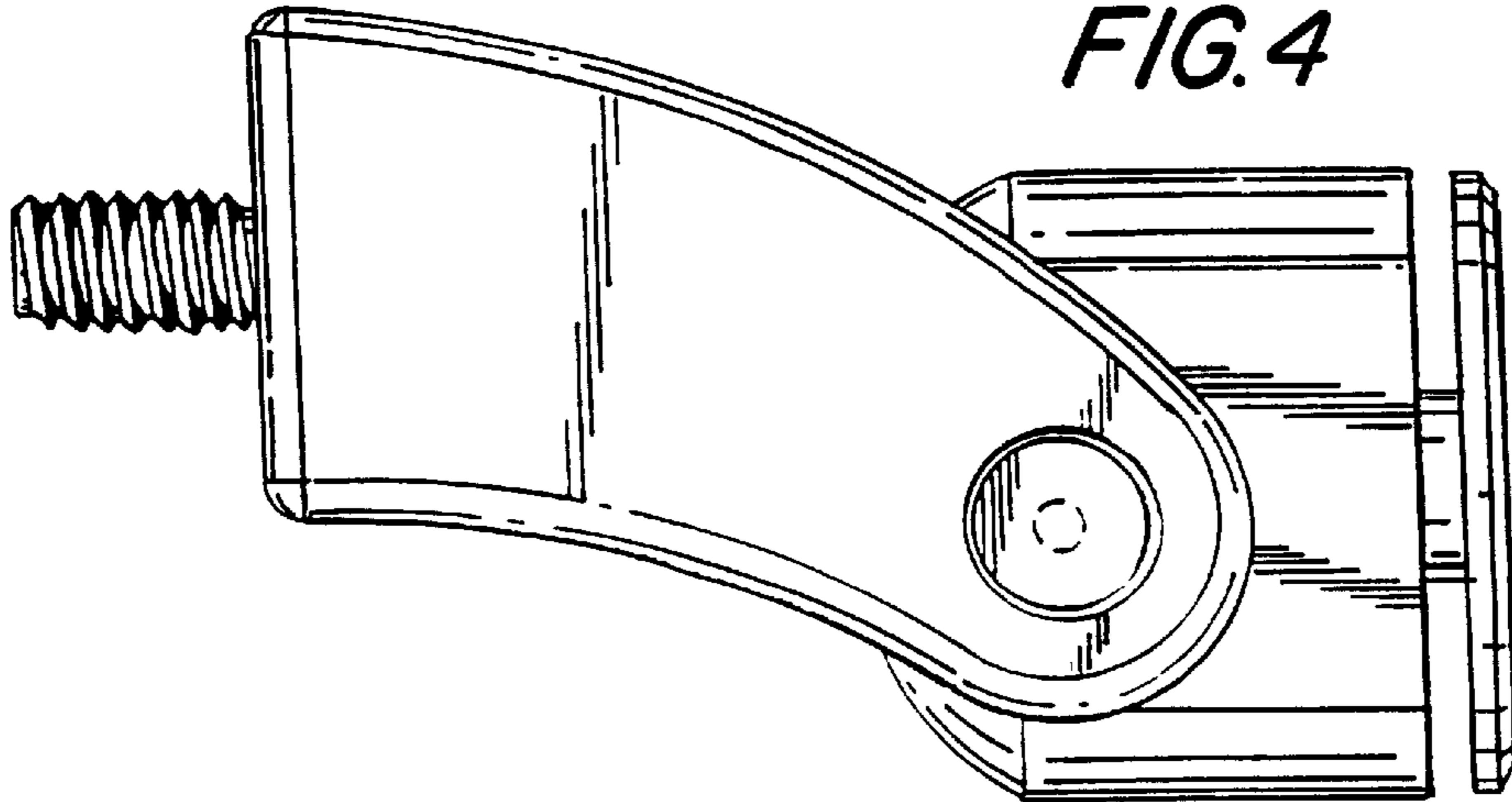
*FIG. 2*



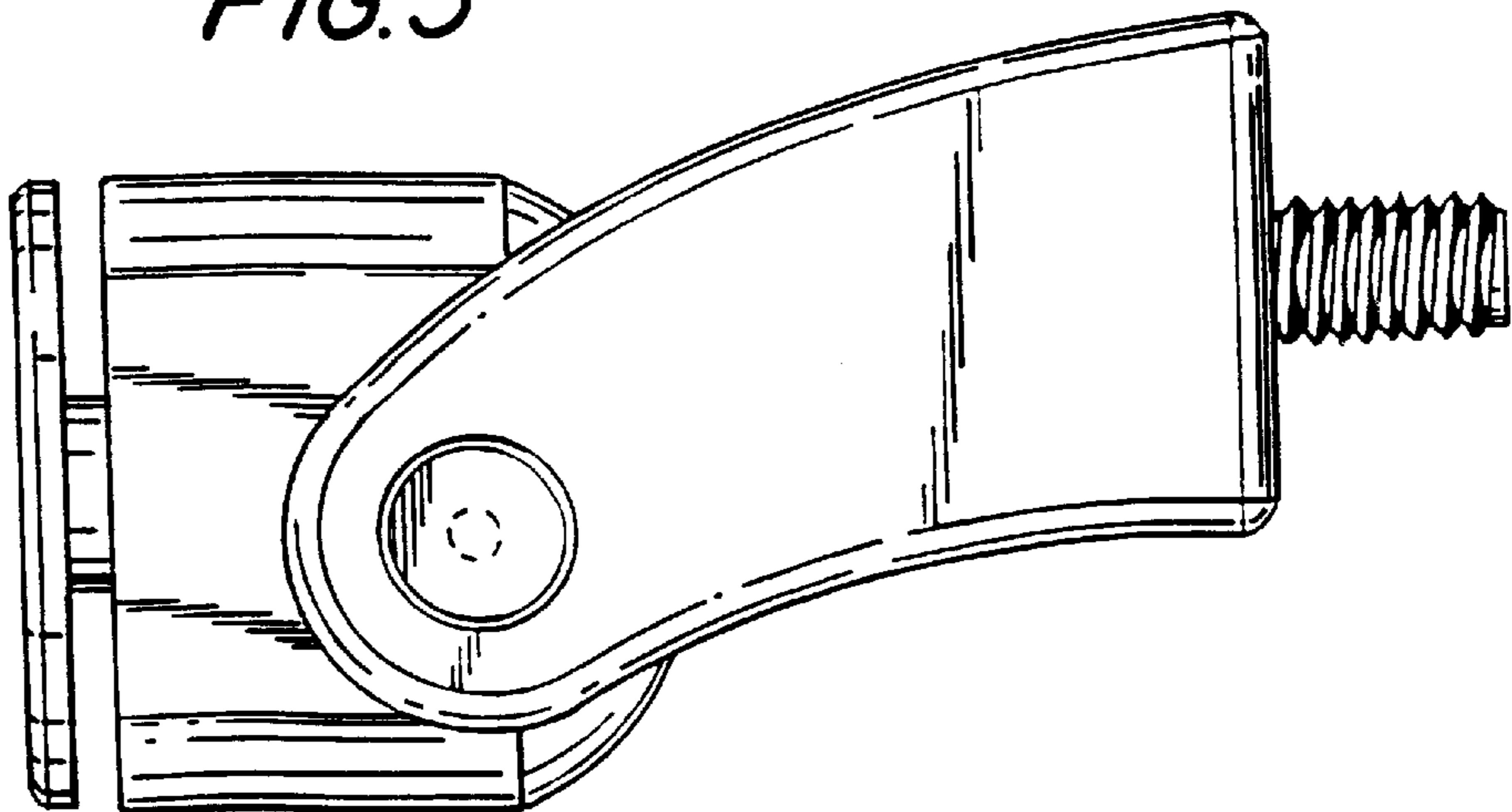
*FIG. 3*



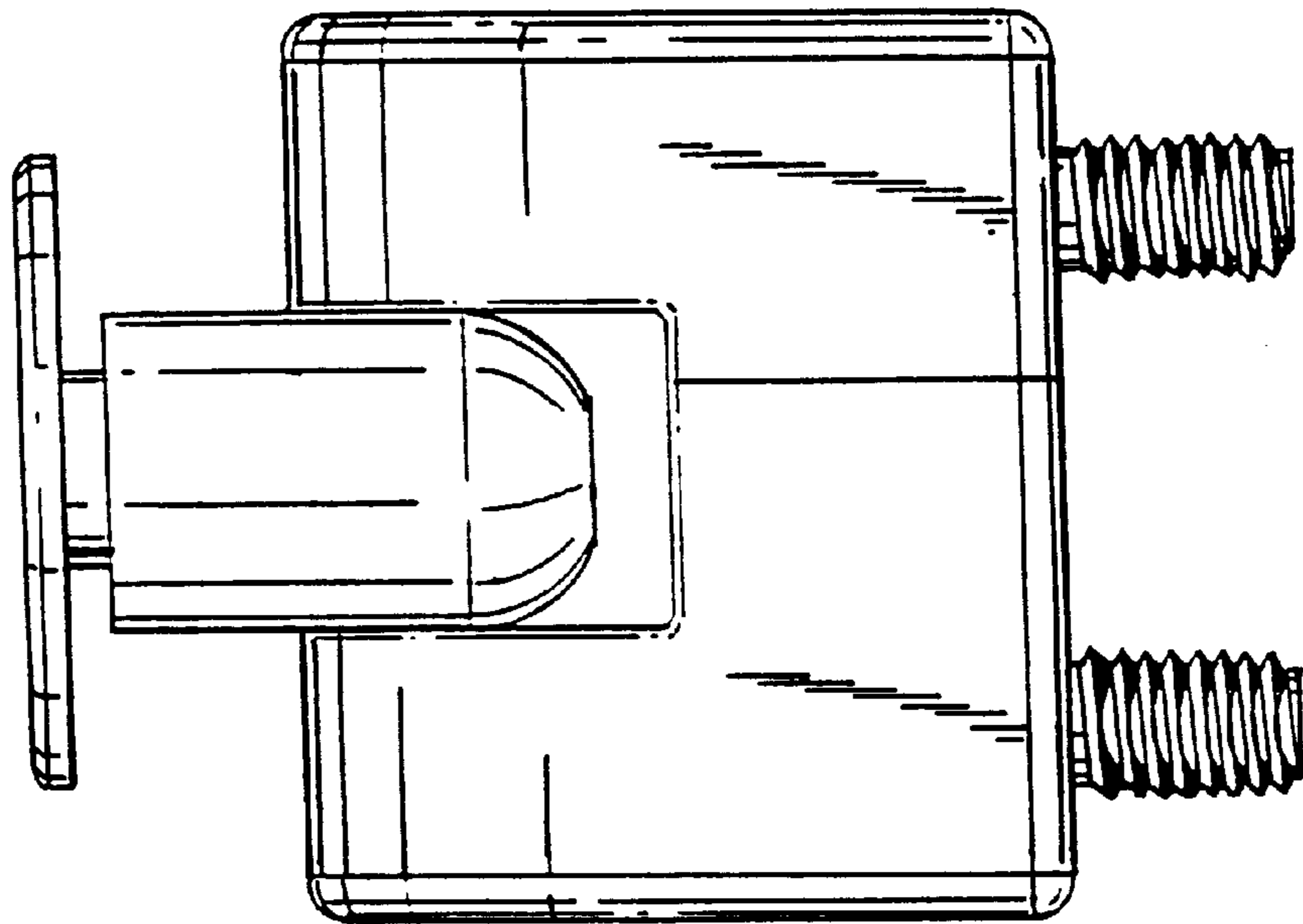
*FIG. 4*



*FIG. 5*



*FIG. 6*



*FIG. 7*

