



US00D420893S

United States Patent [19]

King et al.

[11] Patent Number: **Des. 420,893**

[45] Date of Patent: **** Feb. 22, 2000**

[54] **CONVERTIBLE ELECTRIC UTILITY CROSS ARM INSULATOR ASSEMBLY**

[75] Inventors: **Nancy King; Halm King**, both of Del Rio, Tex.

[73] Assignee: **CAI Unit, Inc.**, Del Rio, Tex.

[**] Term: **14 Years**

[21] Appl. No.: **29/097,839**

[22] Filed: **Dec. 15, 1998**

[51] **LOC (7) Cl.** **08-05**

[52] **U.S. Cl.** **D8/364**

[58] **Field of Search** D13/129, 130, D13/131, 132; D8/364; 174/149 R, 45 R, 148, 158 R; 52/697; 248/68.1, 219.3

[56] **References Cited**

U.S. PATENT DOCUMENTS

D. 25,178 2/1896 Beardsley D8/364

D. 155,301	9/1949	Lowrey	D8/364
D. 216,672	3/1970	Barnes	D8/364
D. 254,168	2/1980	Ilukowicz	D8/354
D. 299,022	12/1988	King, Jr. et al.	D13/132
2,056,366	10/1936	Richards et al.	52/697
4,682,747	7/1987	King, Jr. et al.	248/68.1

Primary Examiner—Joel Sincavage
Attorney, Agent, or Firm—Jackson Walker L.L.P.

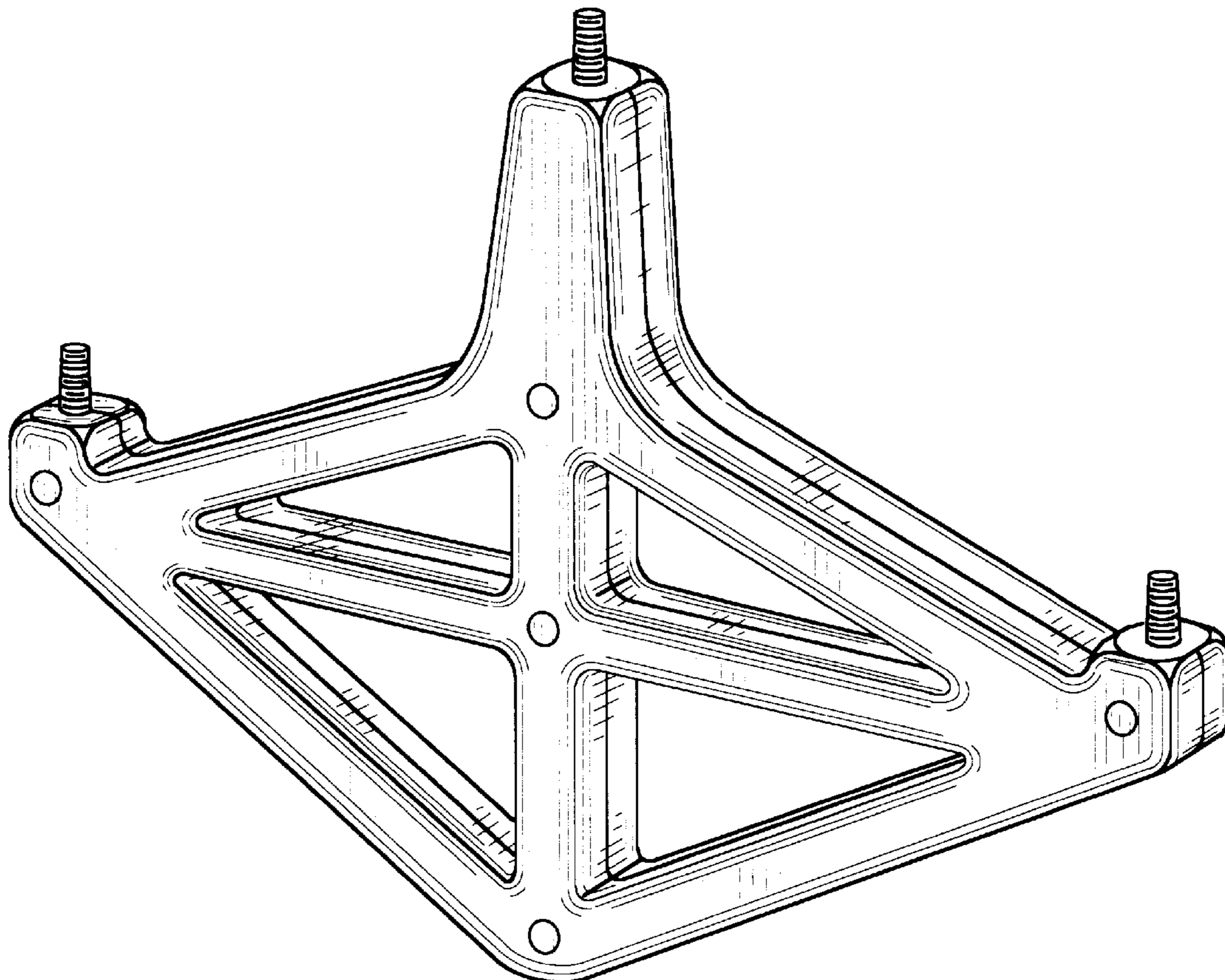
[57] **CLAIM**

The ornamental design of a convertible electric utility cross arm insulator assembly, as shown and described.

DESCRIPTION

FIG. 1 is a top plan view showing my new design.
FIG. 2 is a front elevation view thereof.
FIG. 3 is a bottom plan view thereof.
FIG. 4 is a left side elevation view thereof.
FIG. 5 is a right side elevation view thereof.
FIG. 6 is a rear elevation view thereof; and,
FIG. 7 is a top, front, left side perspective view thereof.

1 Claim, 3 Drawing Sheets



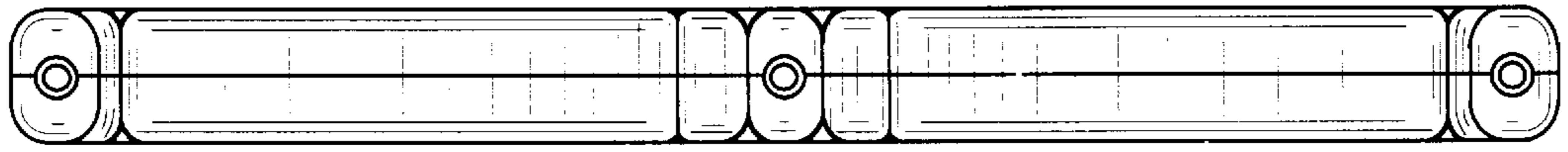


Fig. 1

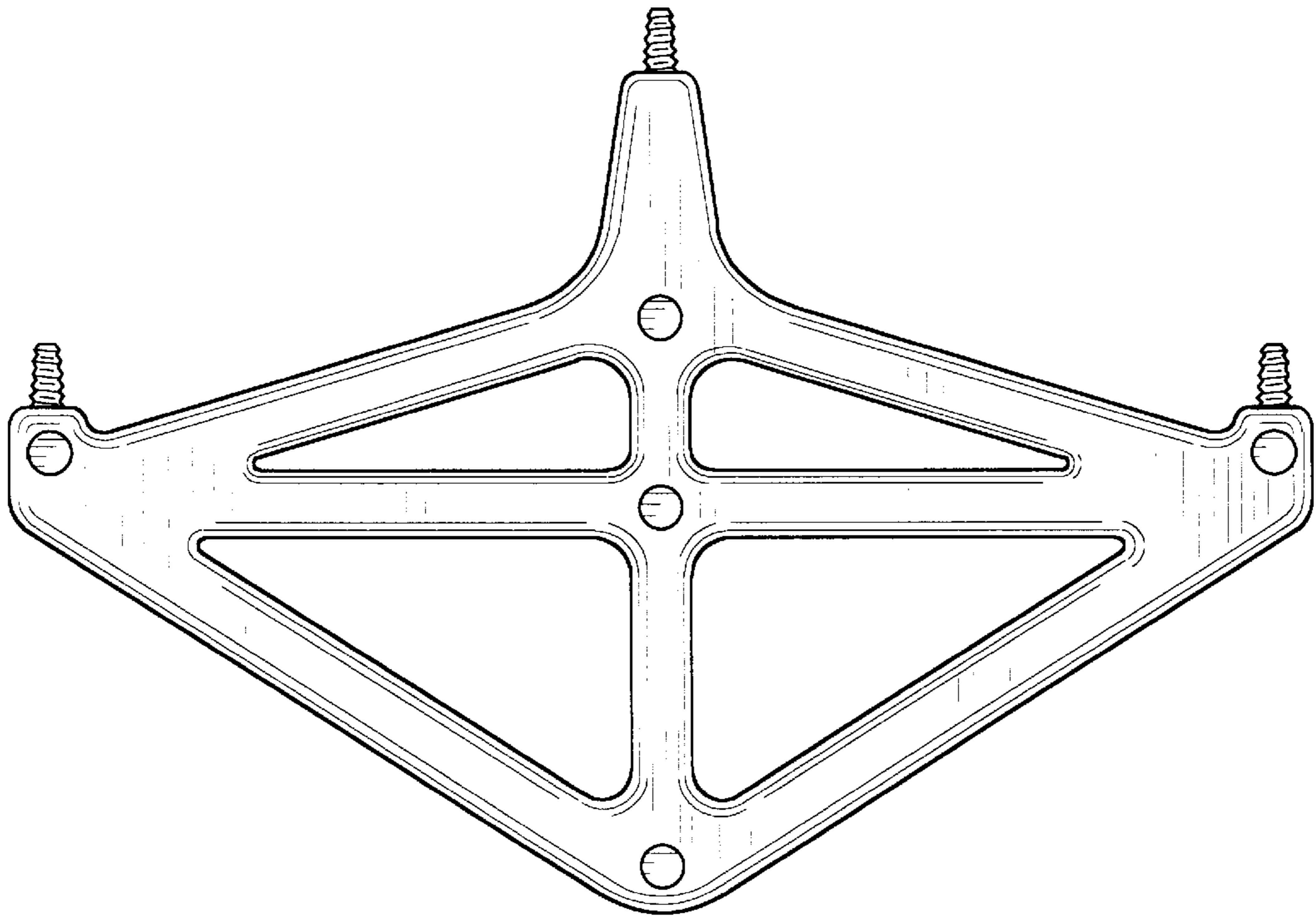


Fig. 2

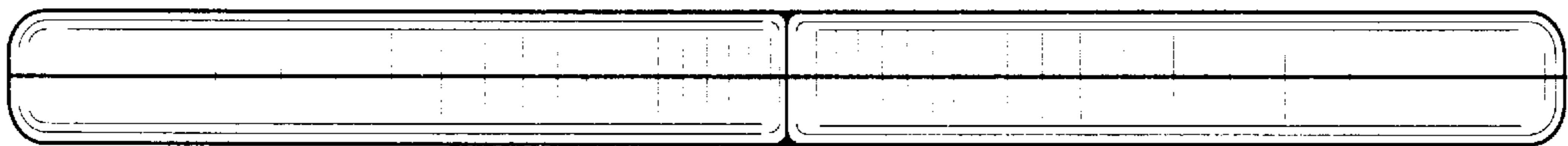


Fig. 3

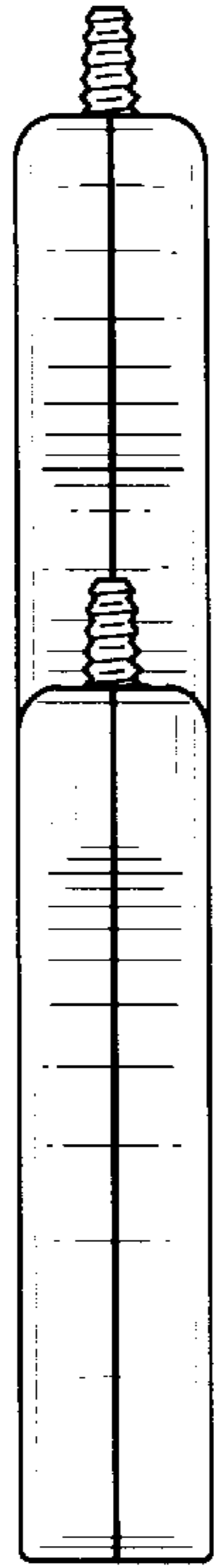


Fig. 4

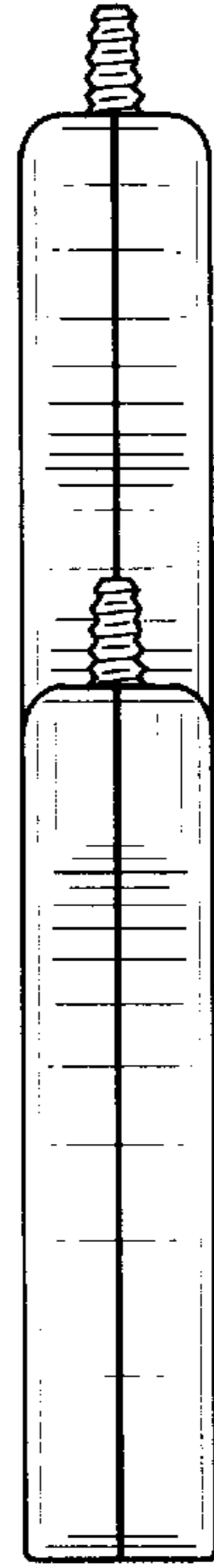


Fig. 5

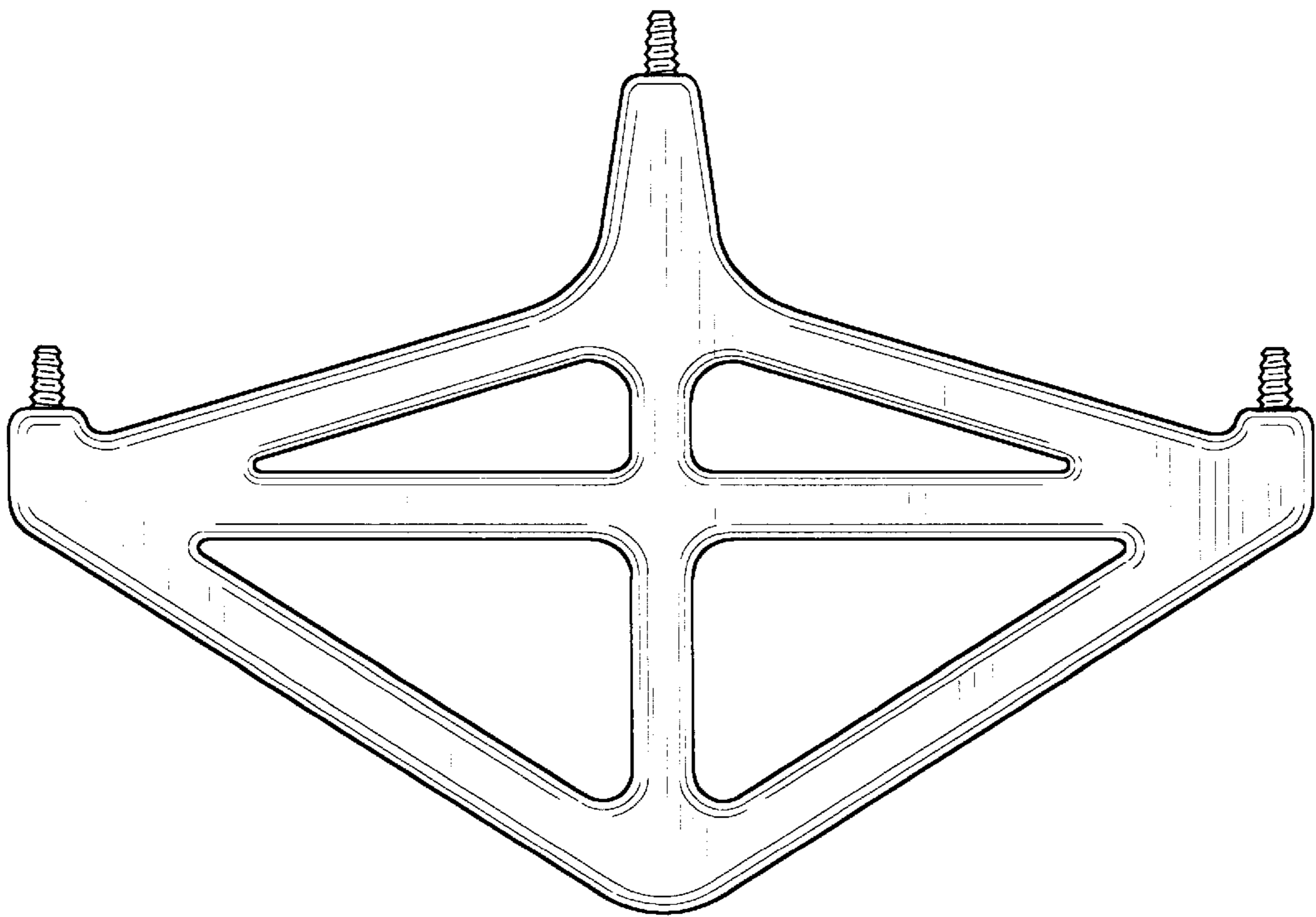


Fig. 6

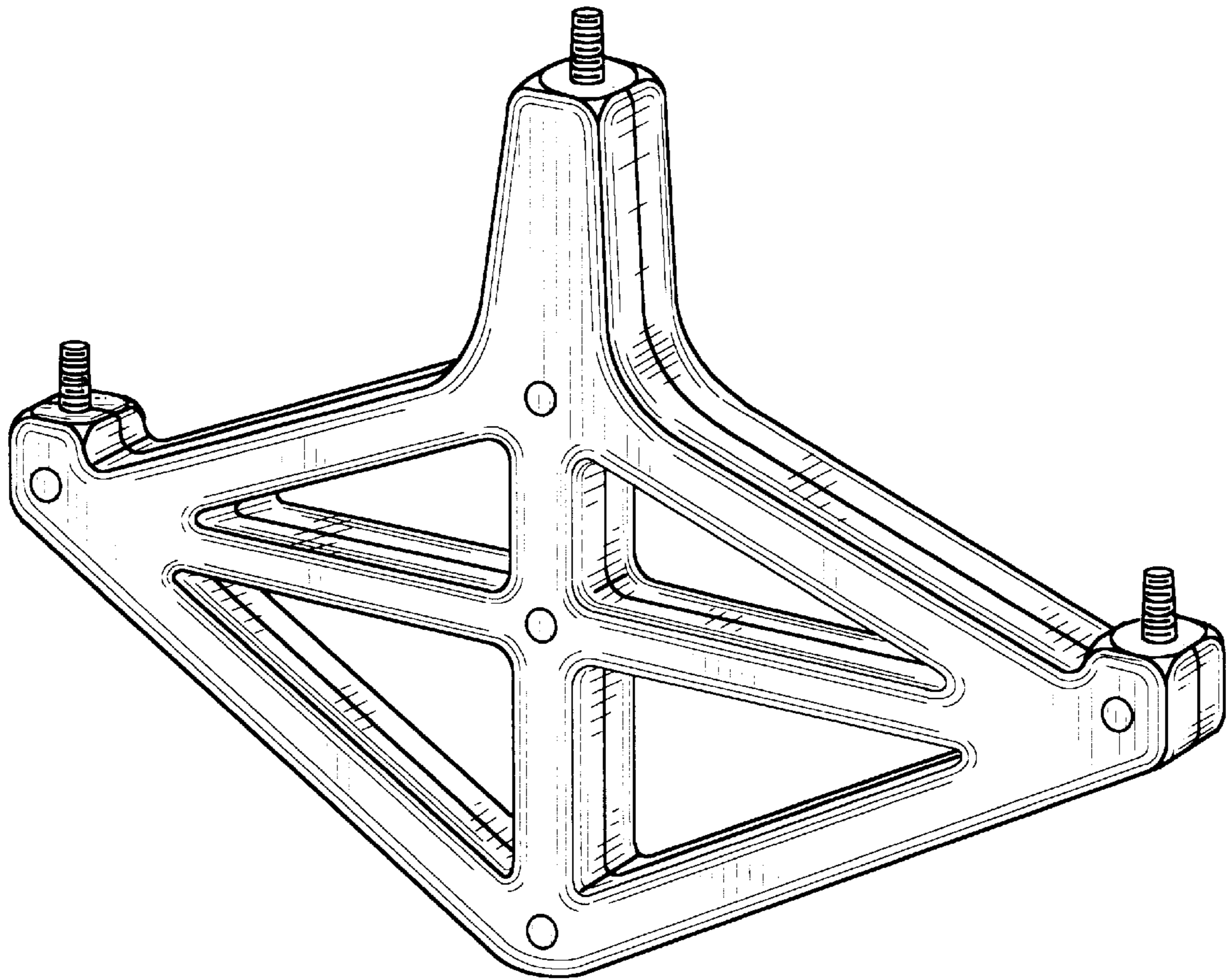


Fig. 7