



US00D420890S

United States Patent [19]
Kuhnke

[11] **Patent Number: Des. 420,890**

[45] **Date of Patent: ** Feb. 22, 2000**

[54] **QUICK RELEASE POST BASE**

[75] Inventor: **Gerry Kuhnke**, Plover, Wis.

[73] Assignee: **Gamber Johnson**, Stevens Point, Wis.

[**] Term: **14 Years**

[21] Appl. No.: **29/097,917**

[22] Filed: **Dec. 17, 1998**

[51] **LOC (7) Cl.** **08-05**

[52] **U.S. Cl.** **D8/354**

[58] **Field of Search** D8/354, 374; D6/495;
248/346.01, 188.1, 188.2, 545; 108/150;
D25/133, 109; 52/514, 296

[56] **References Cited**

U.S. PATENT DOCUMENTS

D. 221,616	8/1971	Hollander .	
D. 230,235	2/1974	Green et al. .	
D. 295,730	5/1988	Blackburn .	
D. 297,370	8/1988	Foster, Jr.	D25/133
D. 315,997	4/1991	Bales et al. .	
D. 334,314	3/1993	Milton .	
3,167,291	1/1965	Maguire	248/188.1
3,392,848	7/1968	McConnell et al. .	
3,564,984	2/1971	Alexander .	
4,603,829	8/1986	Koike et al. .	
5,337,989	8/1994	Apple .	
5,427,406	6/1995	Zushi et al. .	
5,688,030	11/1997	McAnally et al. .	

Primary Examiner—Holly Baynham
Attorney, Agent, or Firm—Oblon, Spivak, McClelland,
Maier & Neustadt, P.C.

[57] **CLAIM**

The ornamental design for quick release post base, as shown and described.

DESCRIPTION

FIG. 1 is a top and front perspective view of quick release

post base, embodying our new design;

FIG. 2 is a front elevational view thereof;

FIG. 3 is a left side elevational view thereof;

FIG. 4 is a right side elevational view thereof;

FIG. 5 is a top plan view thereof;

FIG. 6 is a bottom, front and right side elevational view thereof;

FIG. 7 is a top and front perspective view of the base portion of the quick release post base;

FIG. 8 is a front elevational view thereof;

FIG. 9 is a left side elevational view thereof;

FIG. 10 is a right side elevational view thereof;

FIG. 11 is a top plan view thereof;

FIG. 12 is a bottom, front and right side perspective view thereof;

FIG. 13 is a top and front perspective view of the post portion of the quick release post base;

FIG. 14 is a front elevational view thereof;

FIG. 15 is a left side elevational view thereof;

FIG. 16 is a right side elevational view thereof;

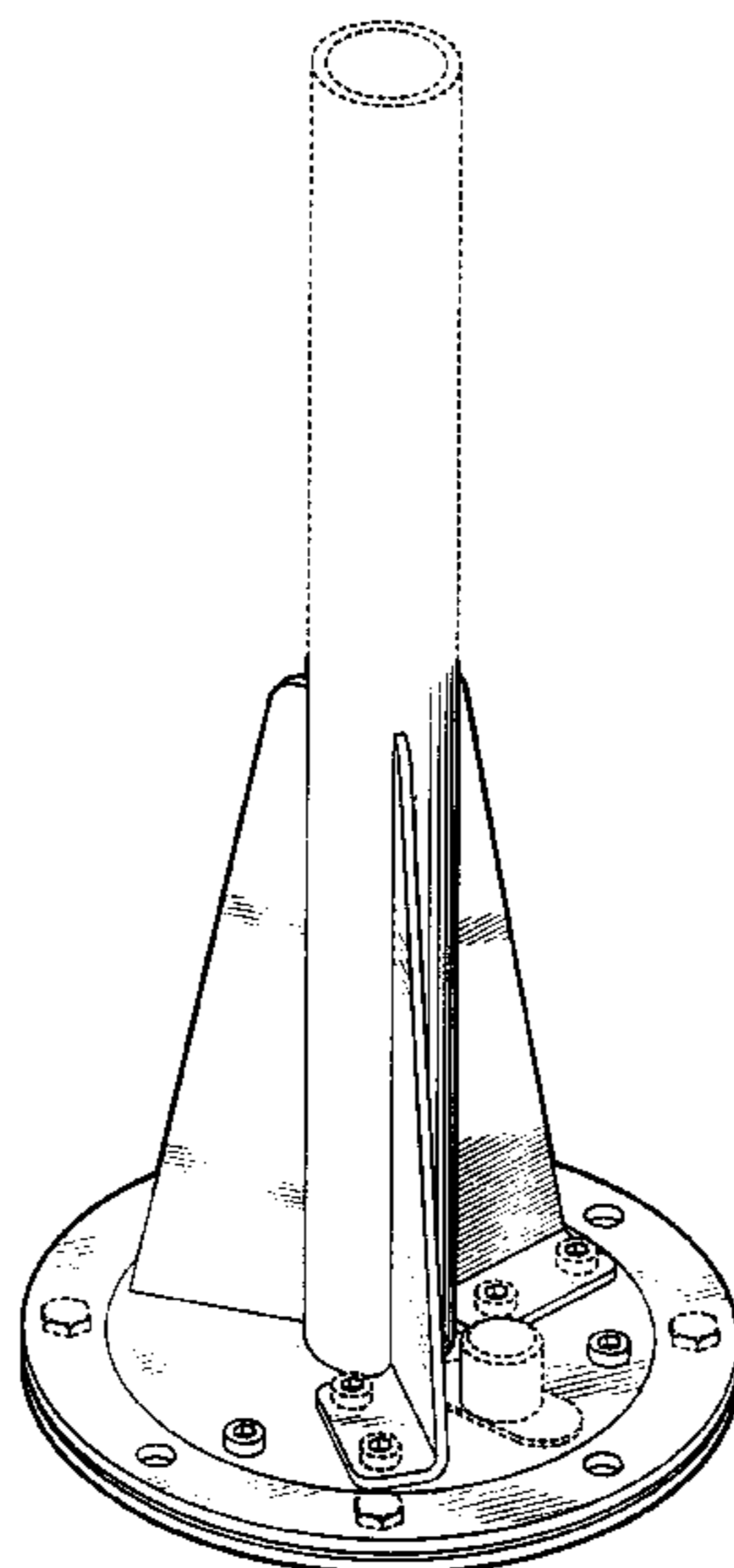
FIG. 17 is a top plan view thereof; and,

FIG. 18 is a bottom, front and right side perspective view thereof.

The features shown in phantom lines in FIGS. 1-18 are shown for illustrative purposes only and form no part of the claimed design.

The elements of the claimed design are shown separately for clarity of illustration.

1 Claim, 10 Drawing Sheets



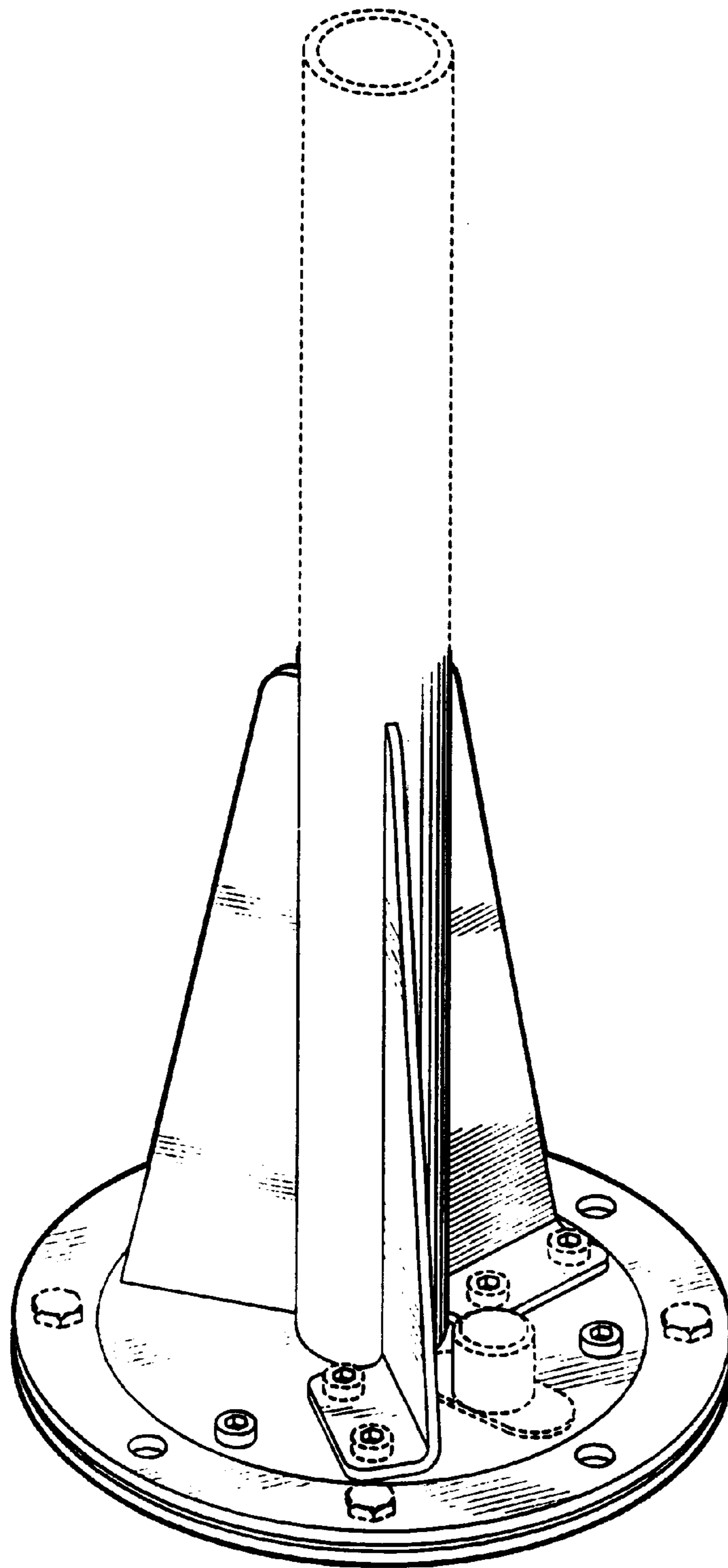


FIG. 1

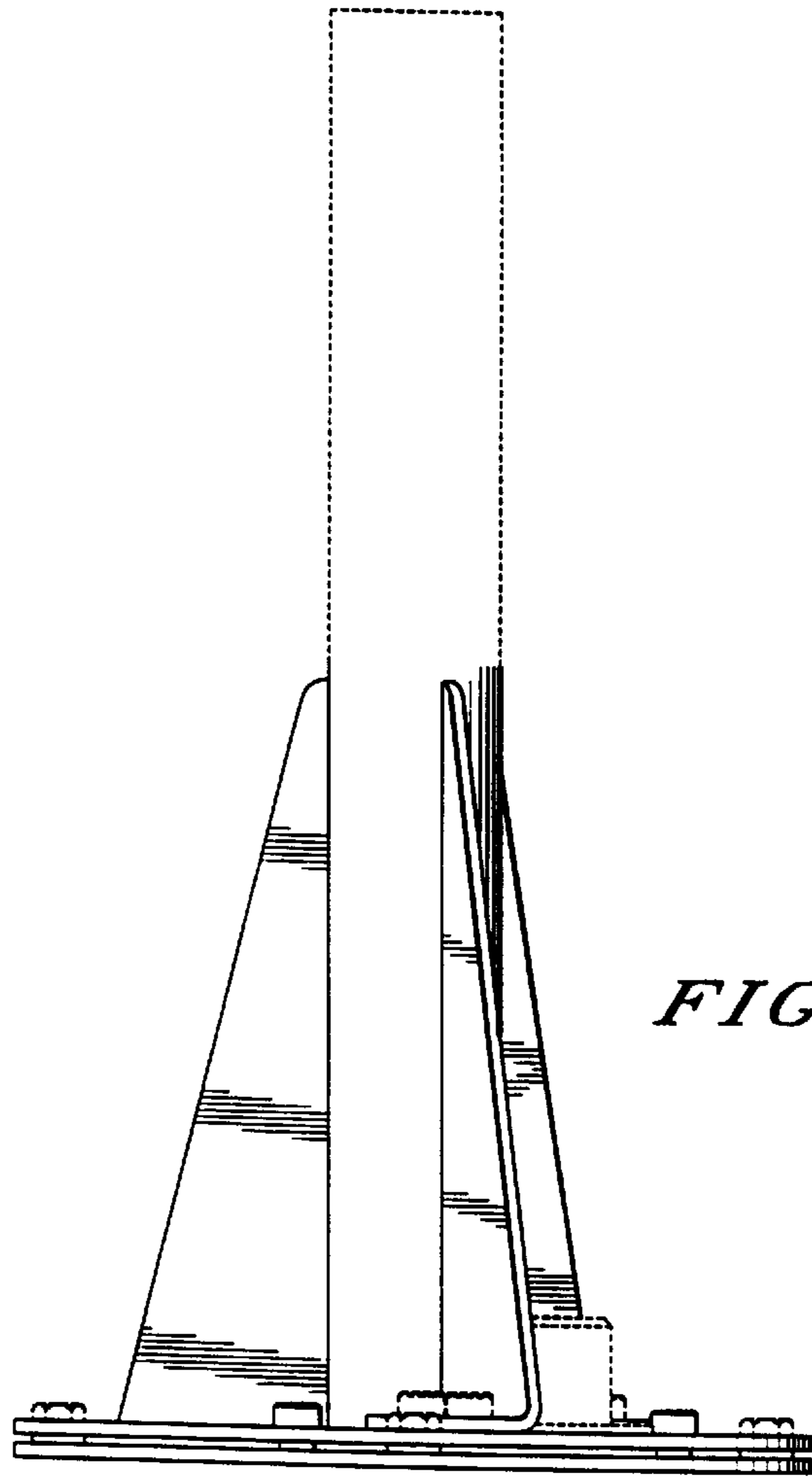


FIG. 2

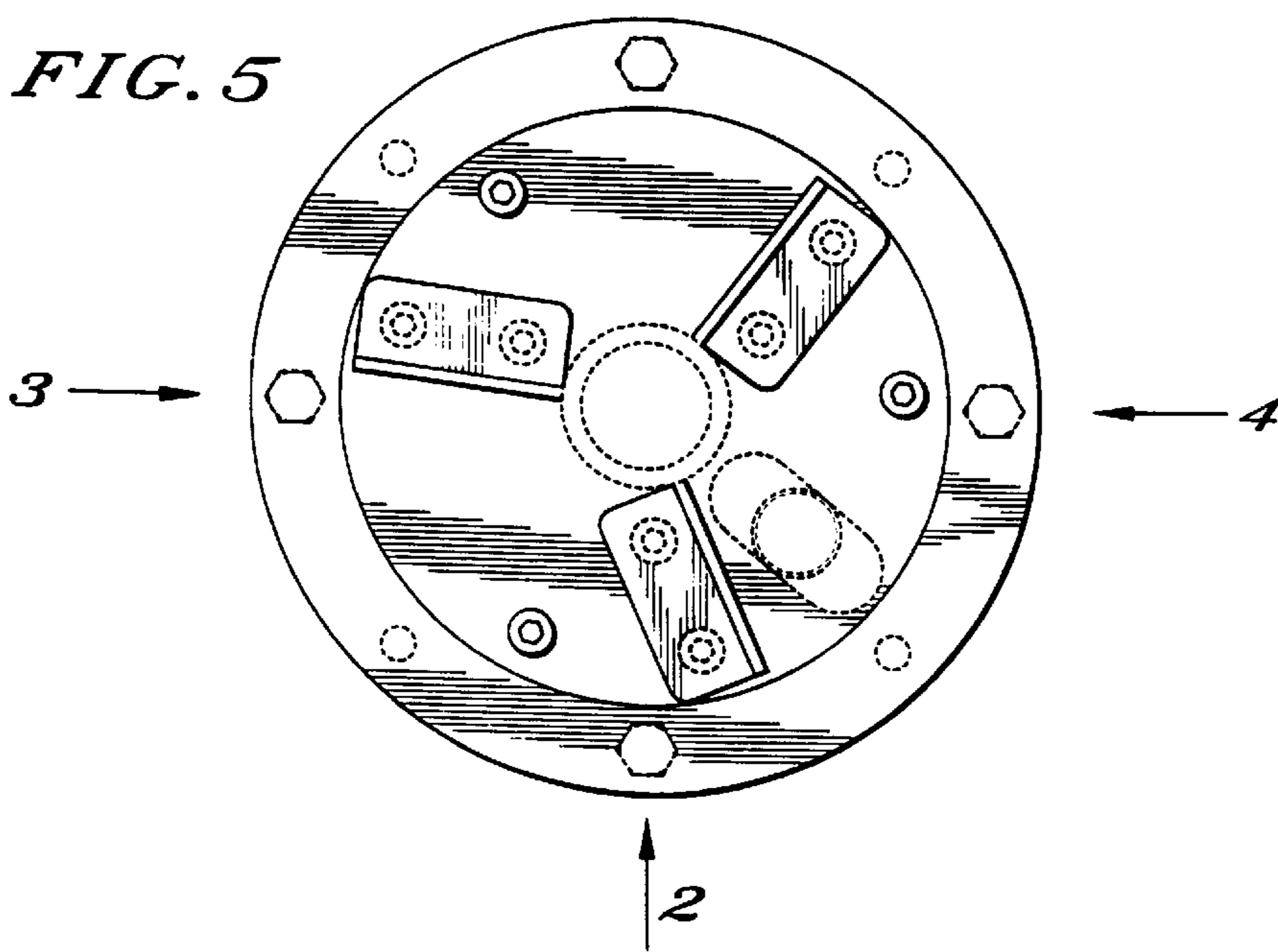


FIG. 5

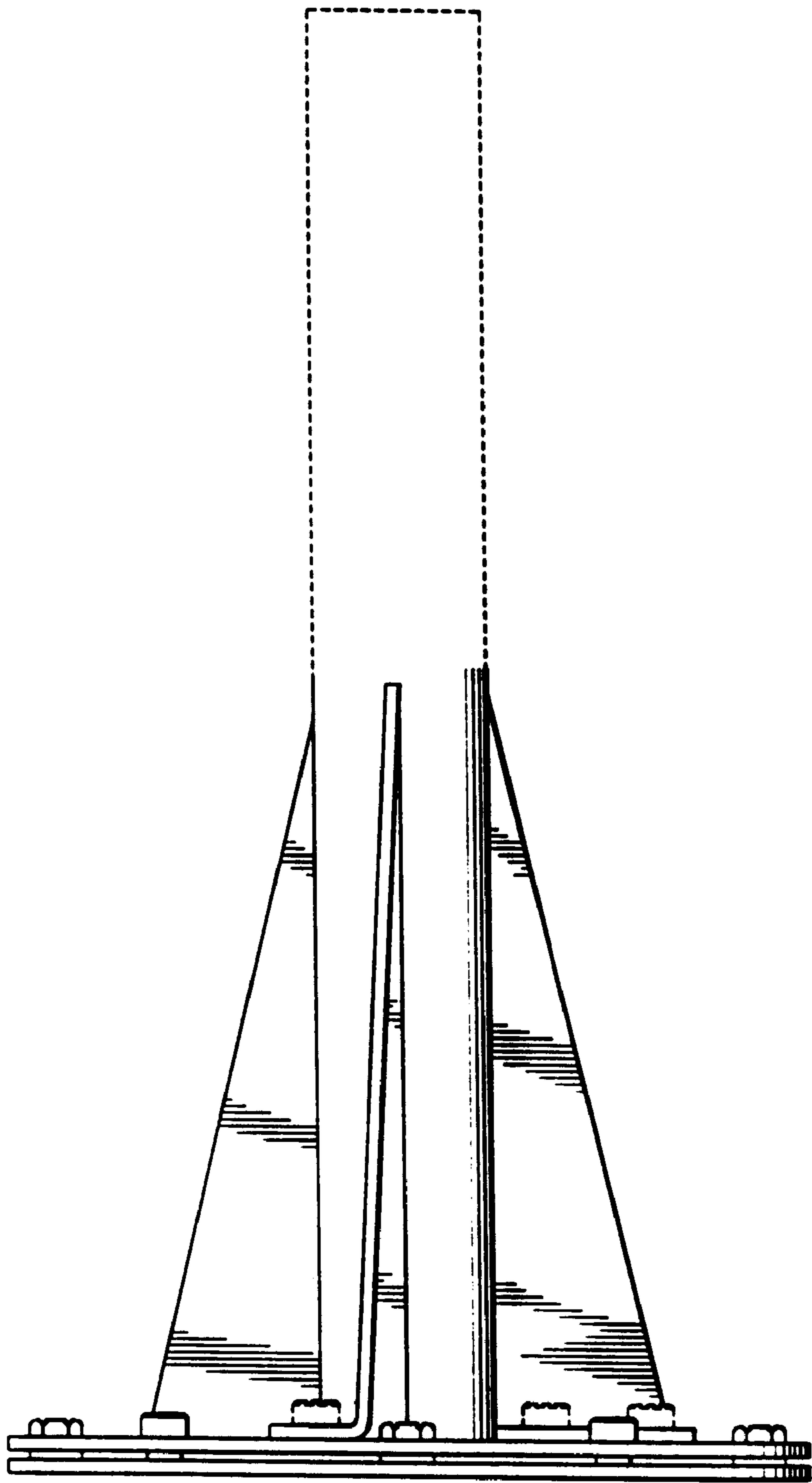


FIG. 3

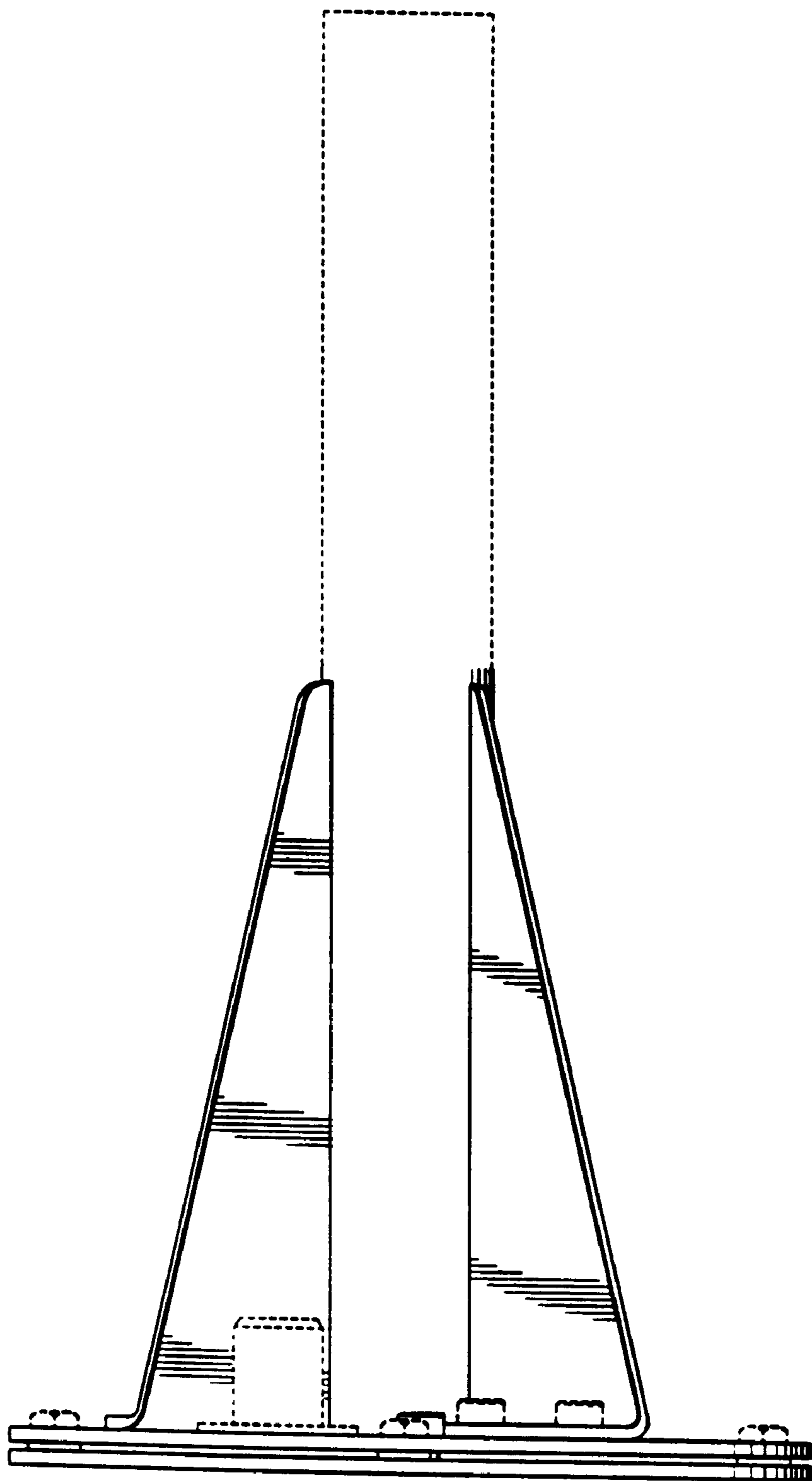


FIG. 4

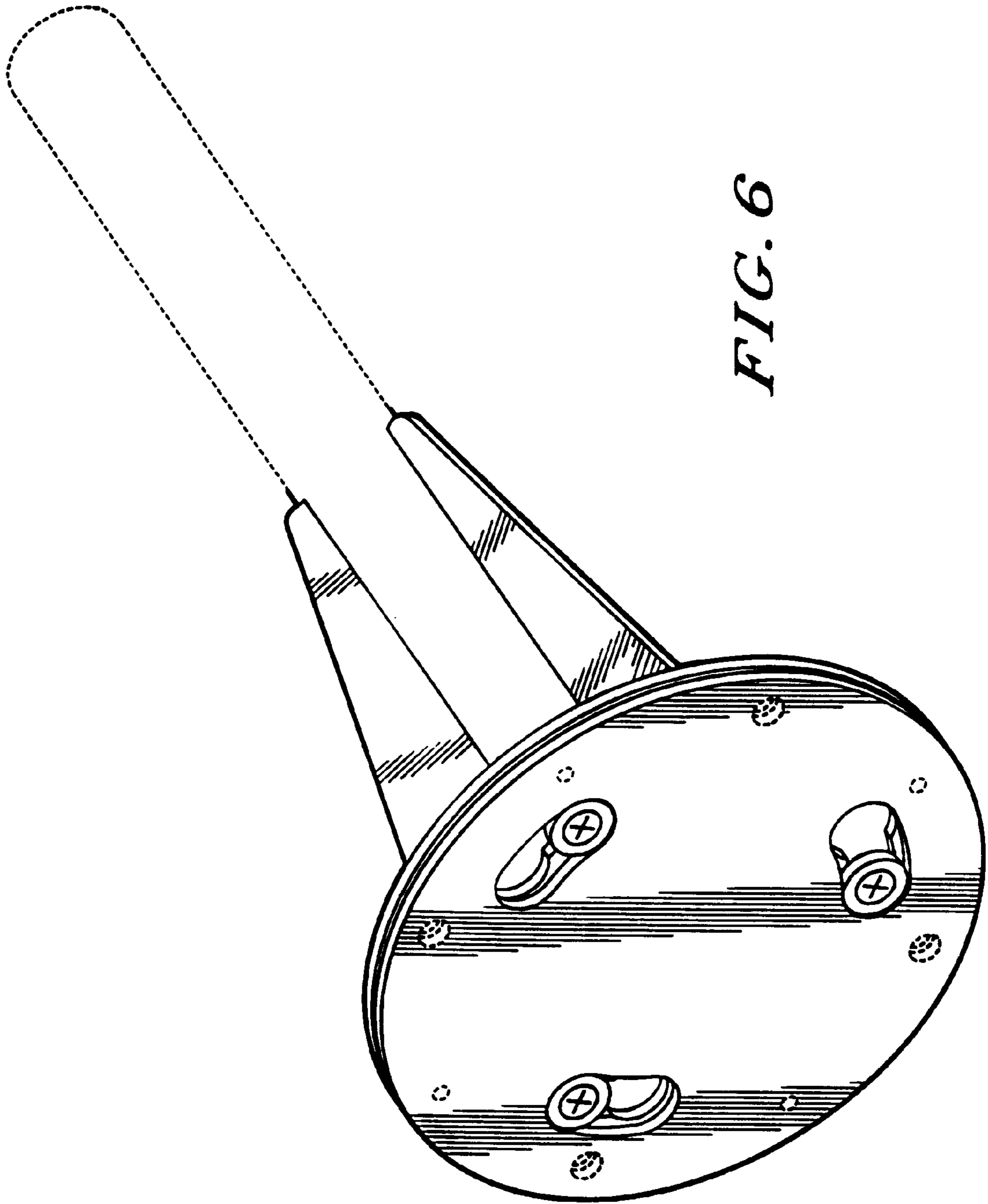


FIG. 6

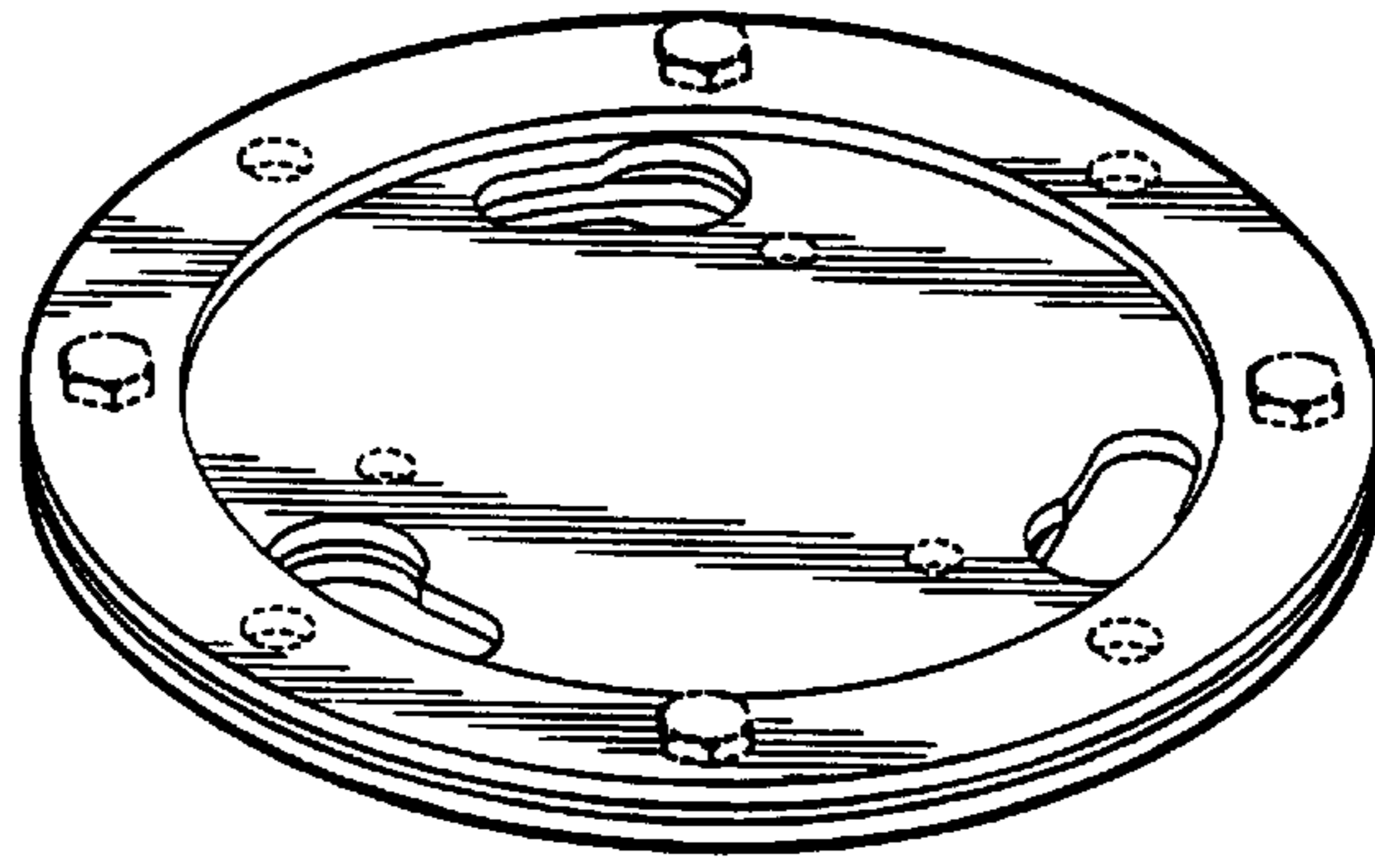


FIG. 7



FIG. 8

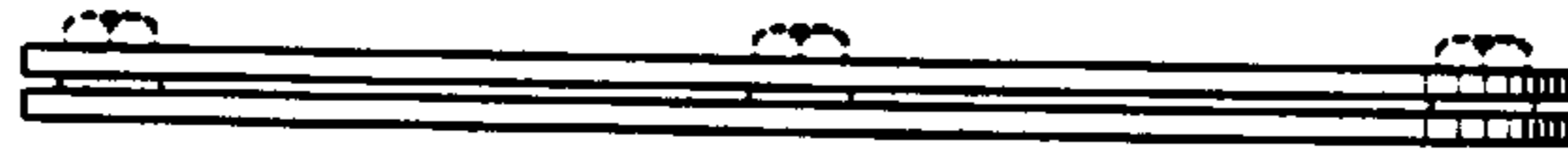


FIG. 9

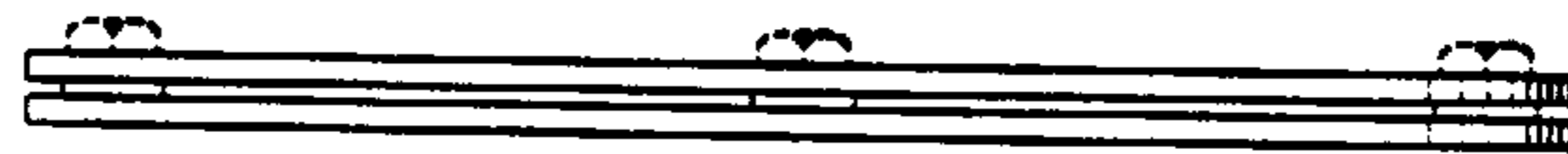


FIG. 10

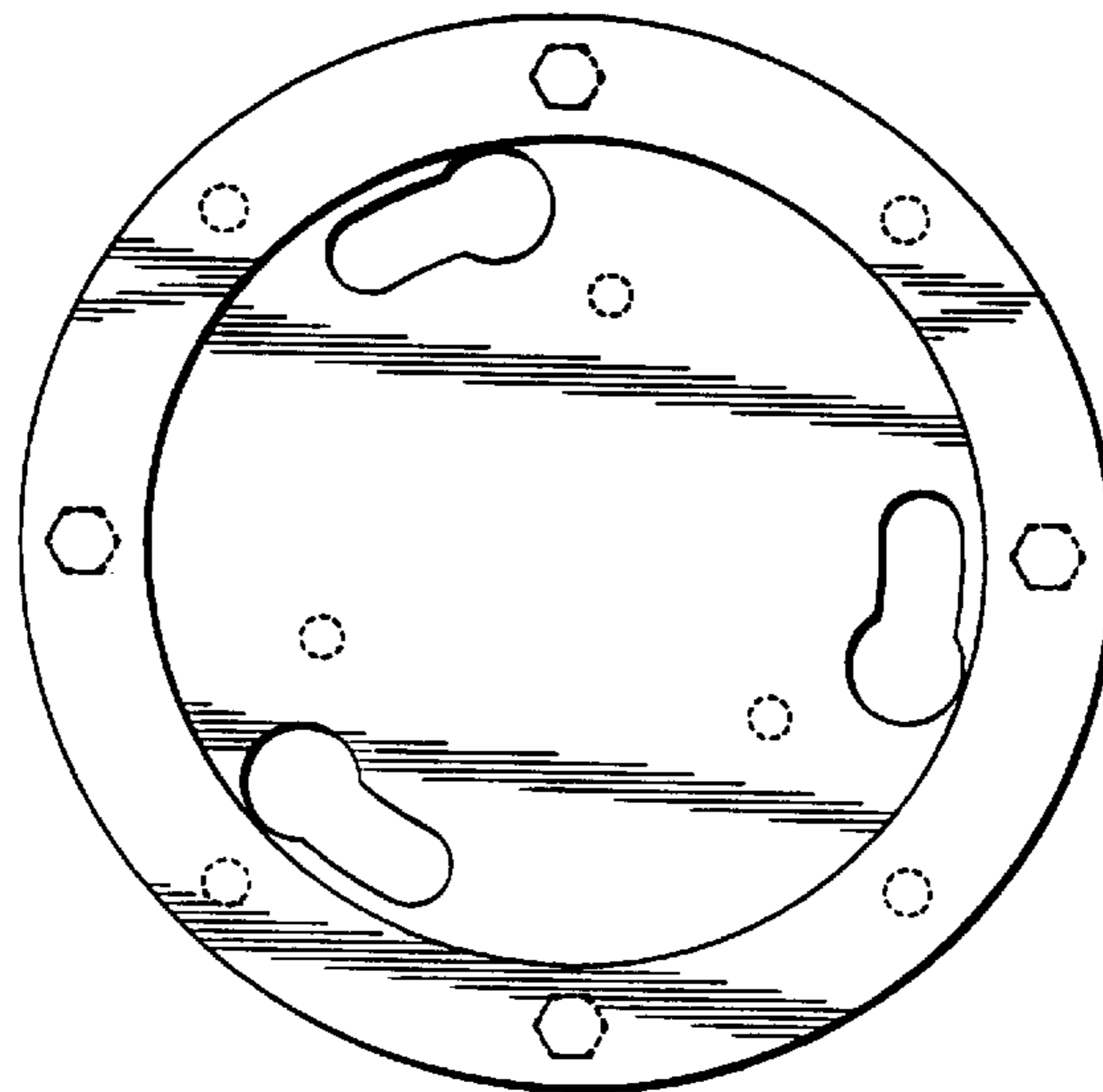


FIG. 11

FIG. 12

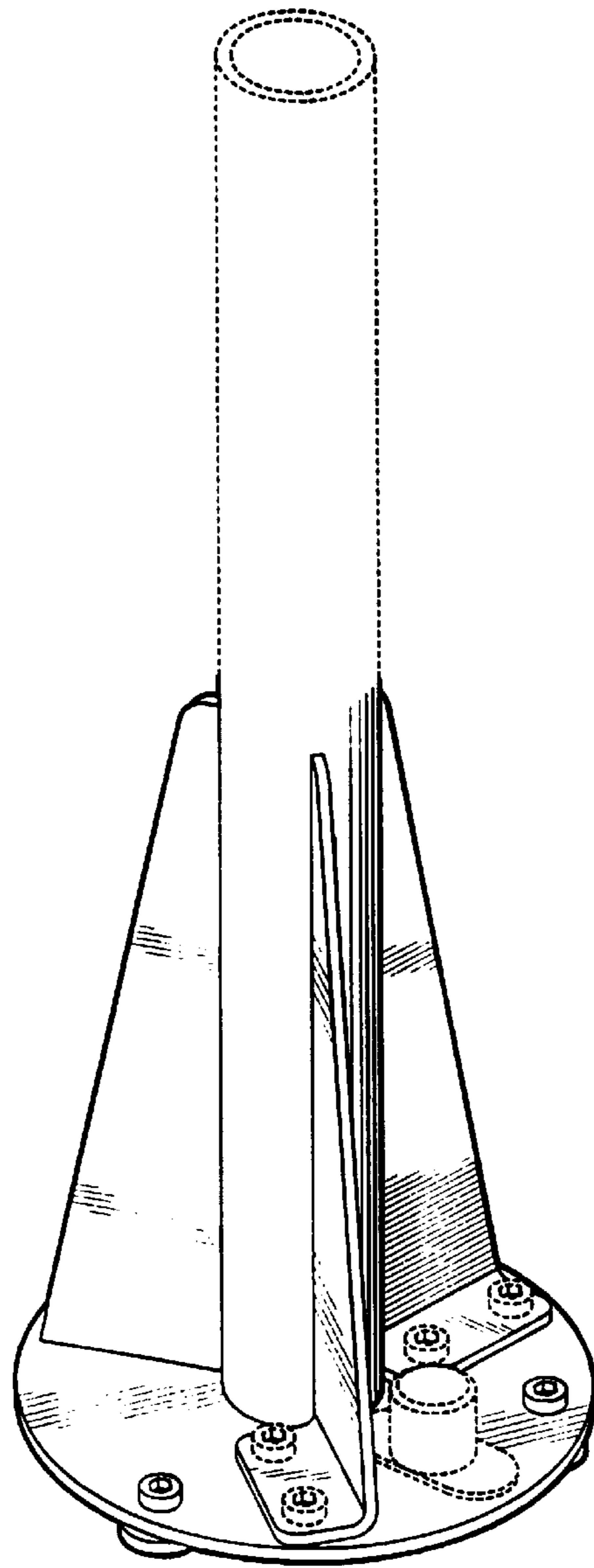
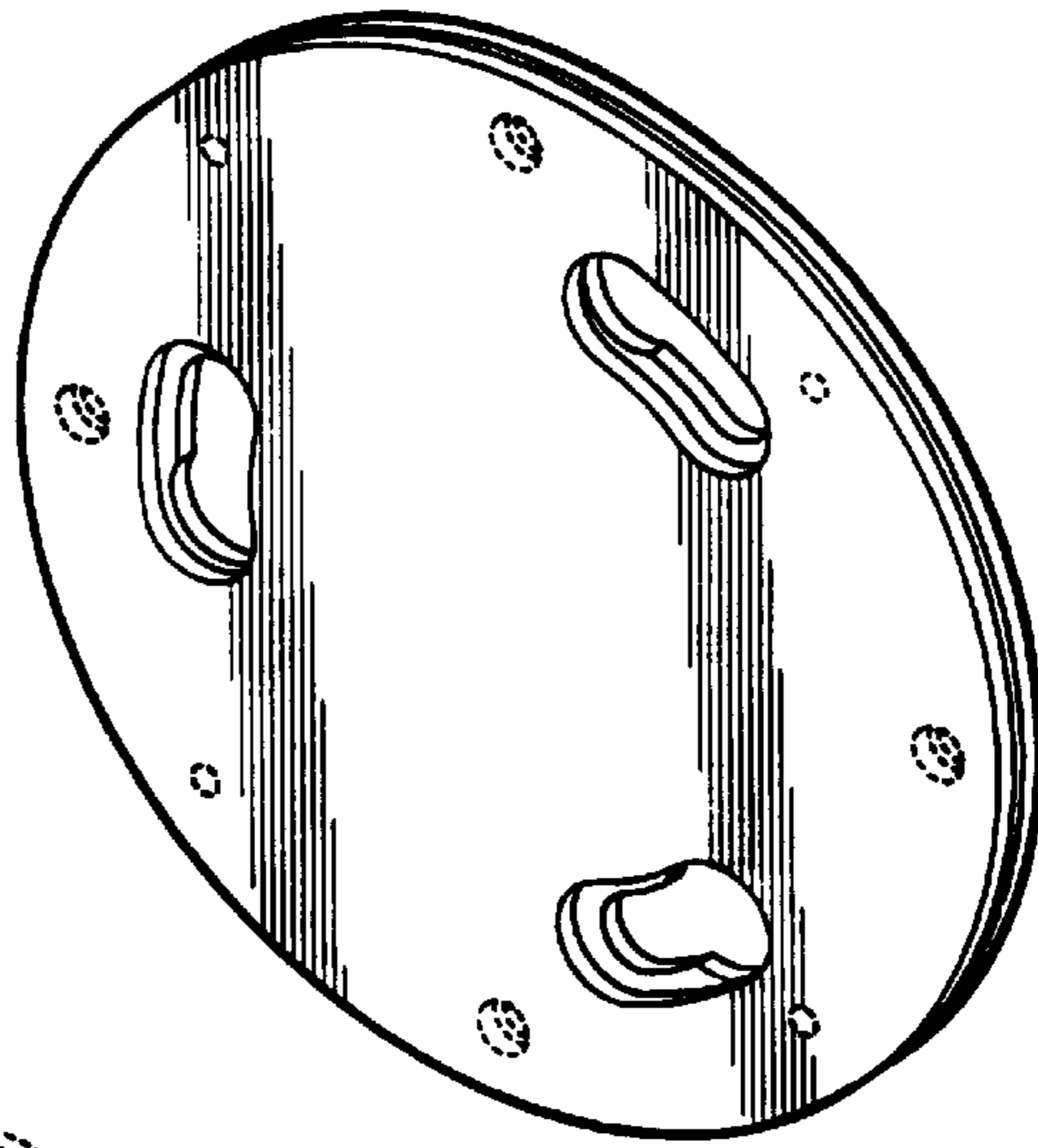


FIG. 13

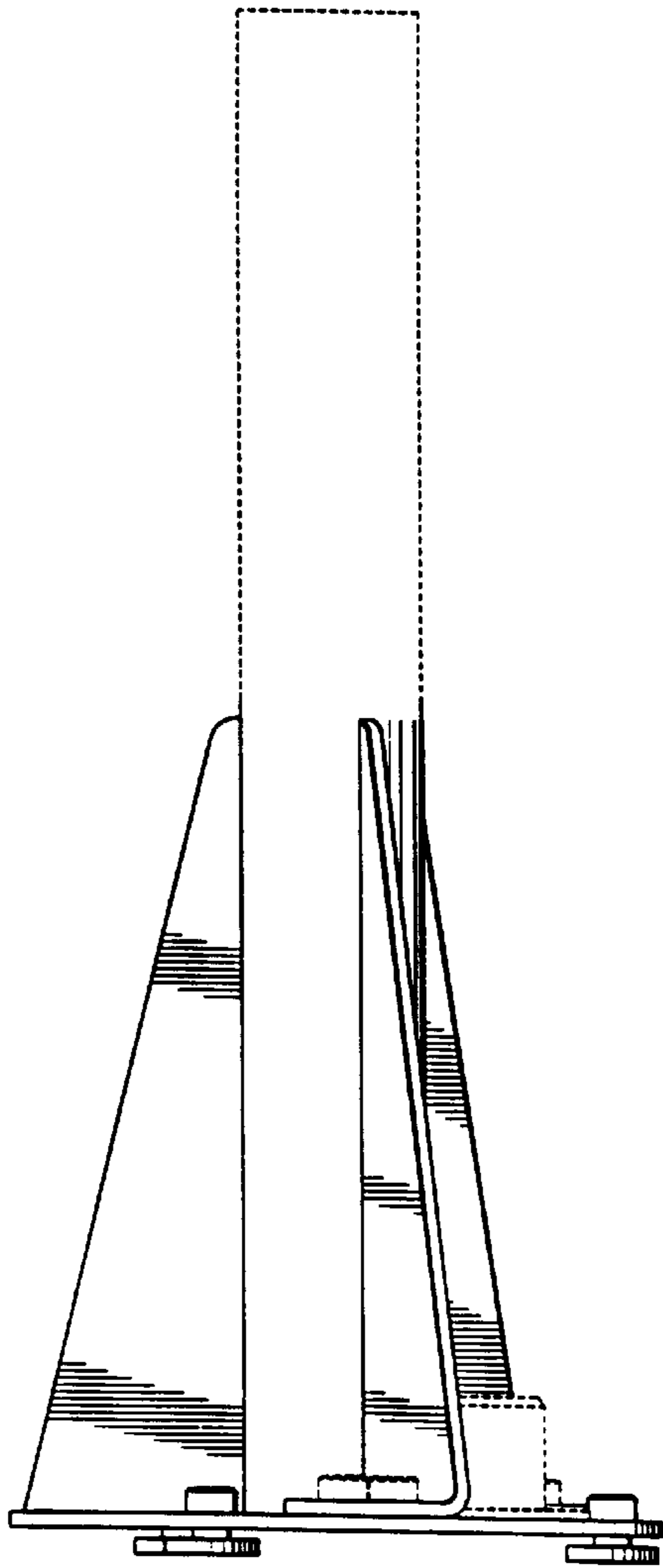


FIG. 14

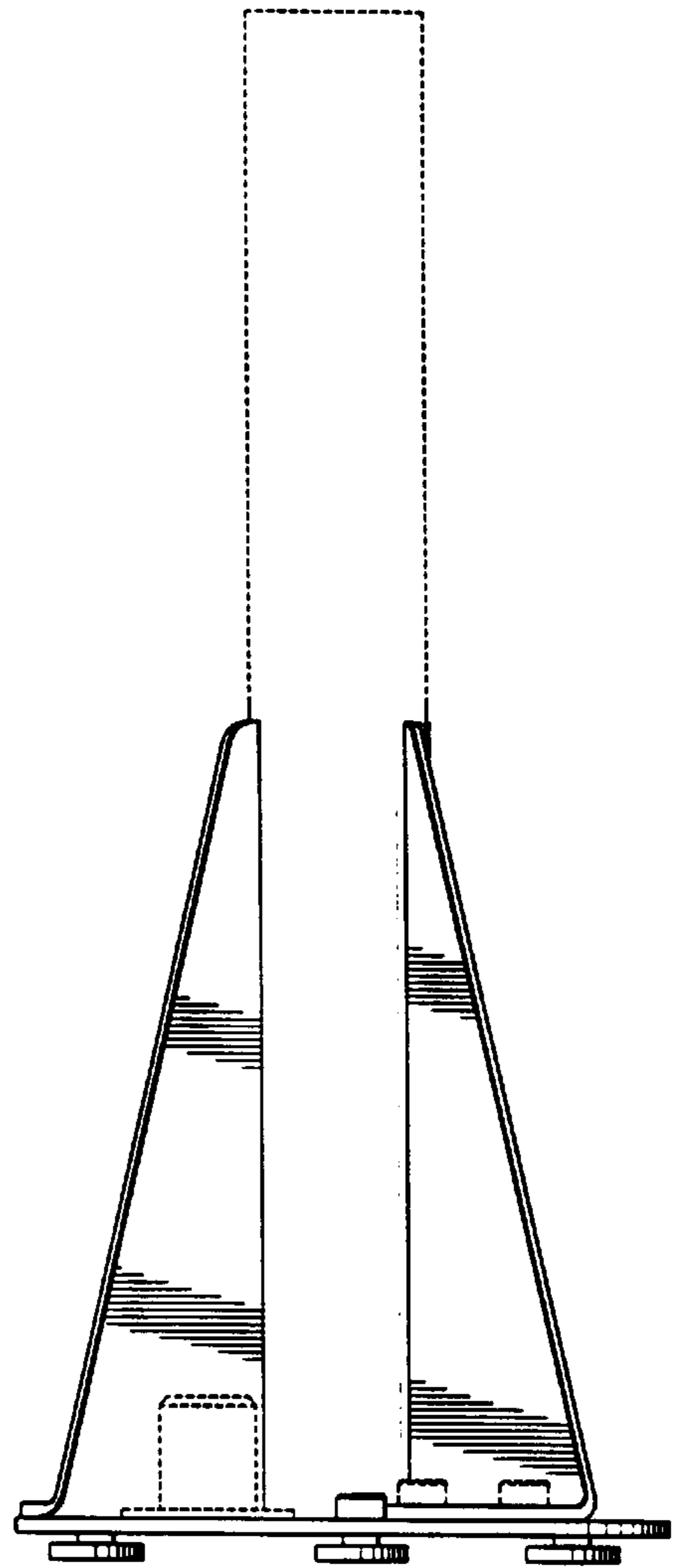


FIG. 16

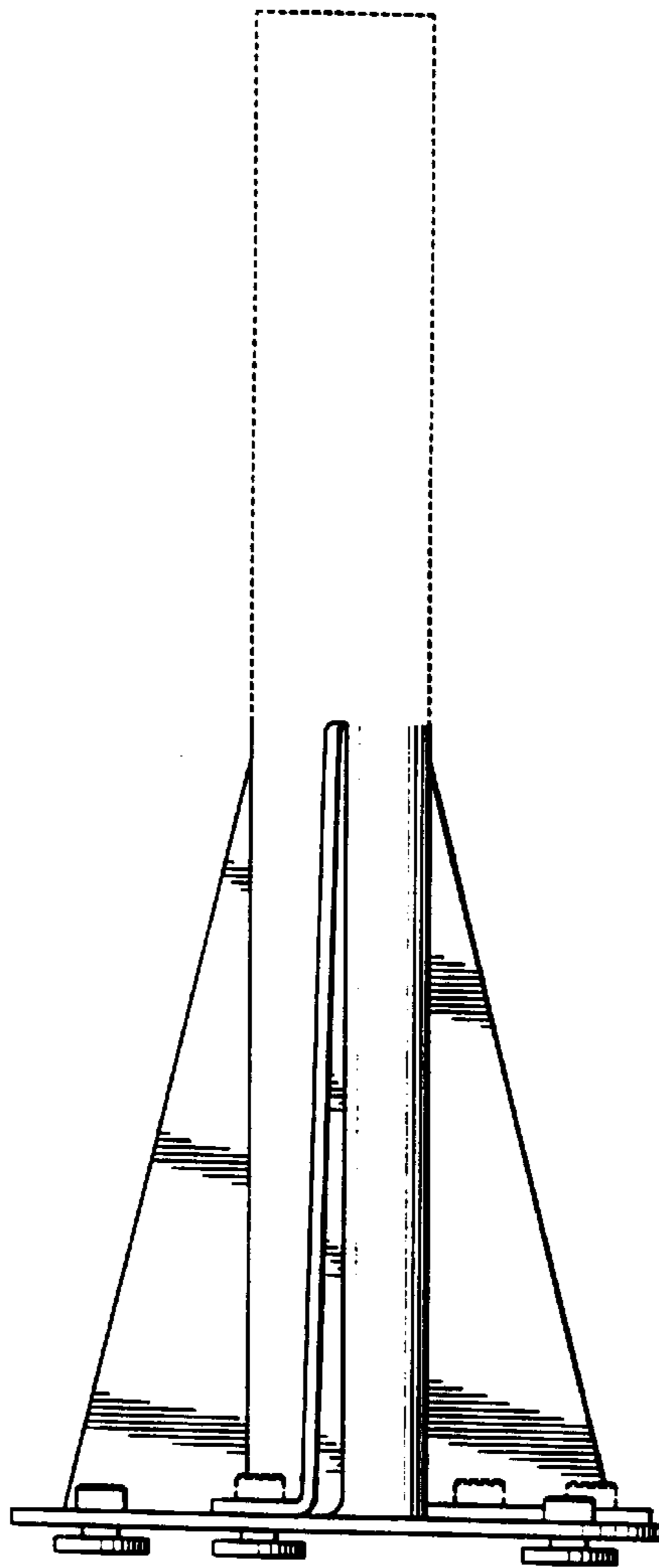


FIG. 15

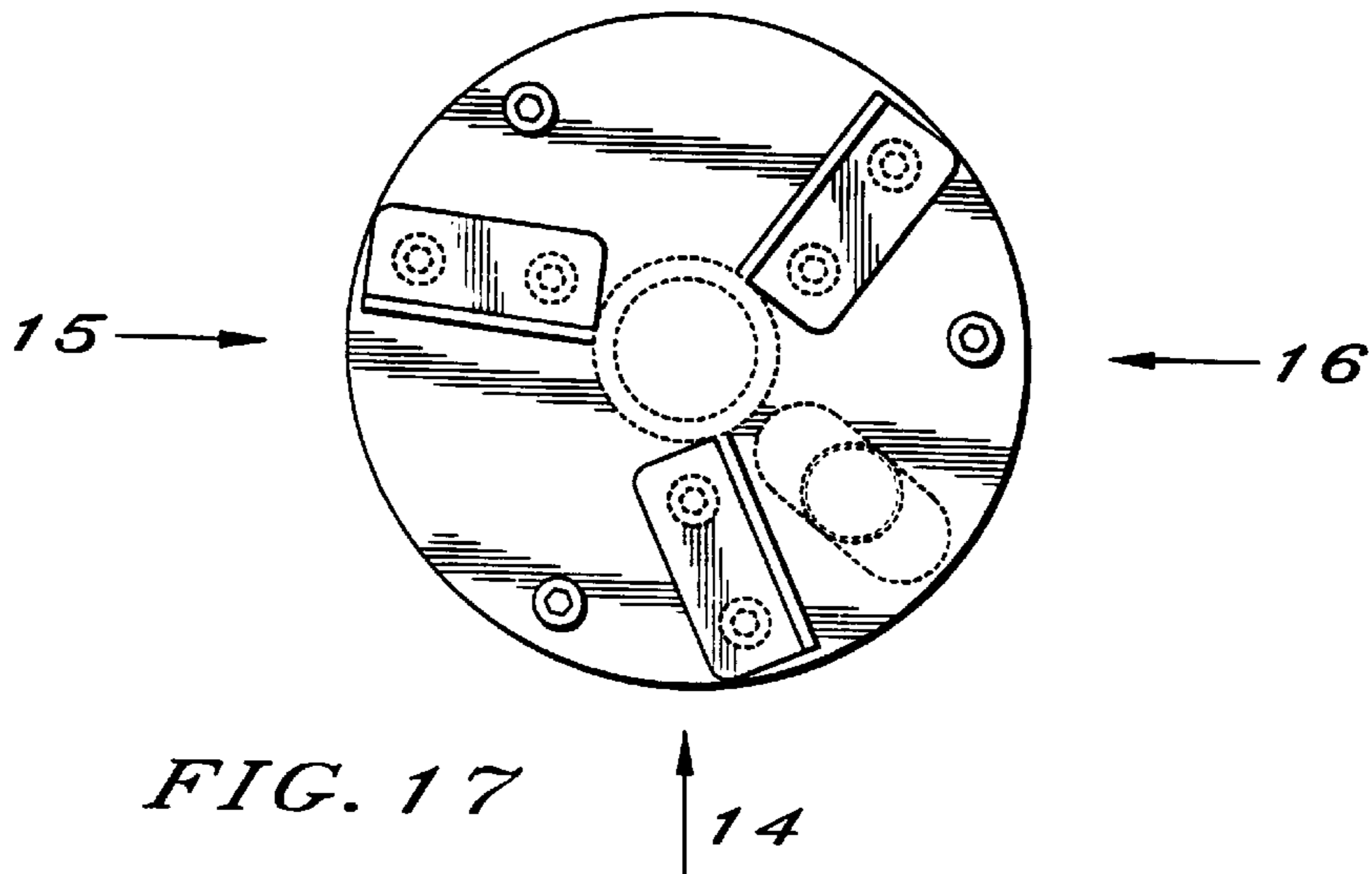


FIG. 17

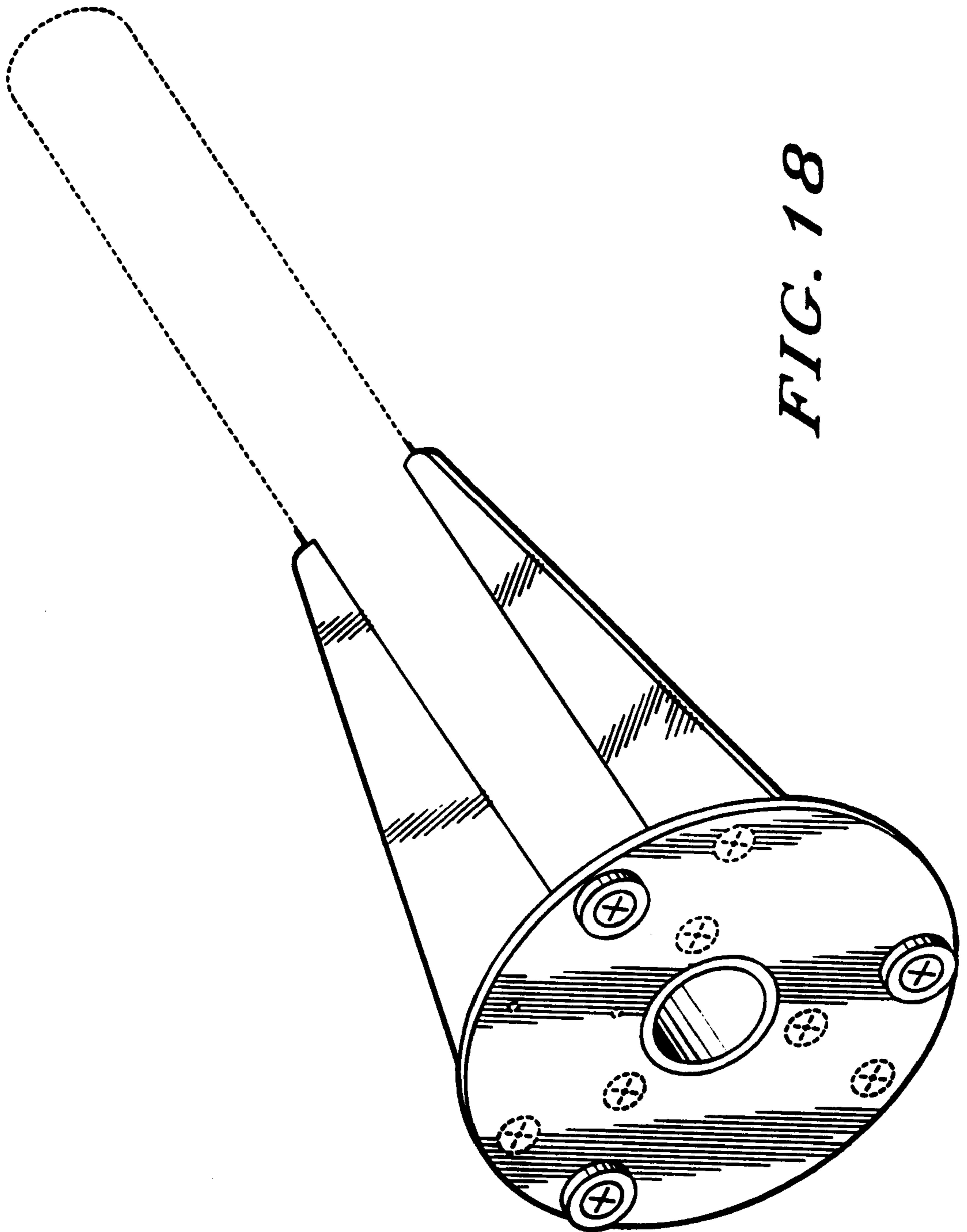


FIG. 18