



US00D420889S

# United States Patent [19]

DePass

[11] Patent Number: Des. 420,889

[45] Date of Patent: \*\* Feb. 22, 2000

[54] AWNING WINDOW OPERATOR

[76] Inventor: **Geoffrey DePass**, 1484 NW. 105 Ave.,  
Plantation, Fla. 33322

[\*\*] Term: **14 Years**

[21] Appl. No.: **29/092,428**

[22] Filed: **Aug. 19, 1998**

[51] LOC (7) Cl. .... **08-07**

[52] U.S. Cl. .... **D8/337; D8/450**

[58] Field of Search ..... D8/300, 307, 308,  
D8/309, 400, 330, 331, 337, 338; 16/114 R,  
110 R, 121; 49/341, 342, 343, 324

## [56] References Cited

### U.S. PATENT DOCUMENTS

D. 160,682	10/1950	Zarbock	.....	D8/400
D. 179,639	2/1957	Harby	.....	D8/400
D. 198,202	5/1964	Morgan	.....	D8/400
2,635,485	4/1953	Gravenstine et al.	.....	49/342 X

### OTHER PUBLICATIONS

Item 2002 Jalousie Window Operator, p. 9, Blaine Window Hardware, 1983-84.

*Primary Examiner*—Susan J. Lucas

*Assistant Examiner*—Jennifer Rivard

*Attorney, Agent, or Firm*—D. Peter Hochberg; William H. Holt

## [57] CLAIM

The ornamental design for a awning window operator, as shown and described.

## DESCRIPTION

FIG. 1 is a perspective view of the preferred right handed

operator;

FIG. 2 is a front view of the preferred right handed operator shown in FIG. 1;

FIG. 3 is a rear view of the preferred right handed operator shown in FIG. 1;

FIG. 4 is side view of the preferred right handed operator shown in FIG. 1 with a preferred handle portion facing to the right;

FIG. 5 is side view of the preferred right handed operator shown in FIG. 1 with the preferred handle portion facing to the left;

FIG. 6 is a top view of the preferred right handed operator shown in FIG. 1 with the preferred handle portion facing out of the page;

FIG. 7 is a top view of the preferred right handed operator shown in FIG. 1 with the preferred handle portion facing into the page;

FIG. 8 is a perspective view of the preferred left handed operator;

FIG. 9 is a front view of the preferred left handed operator shown in FIG. 8;

FIG. 10 is a rear view of the preferred left handed operator shown in FIG. 8;

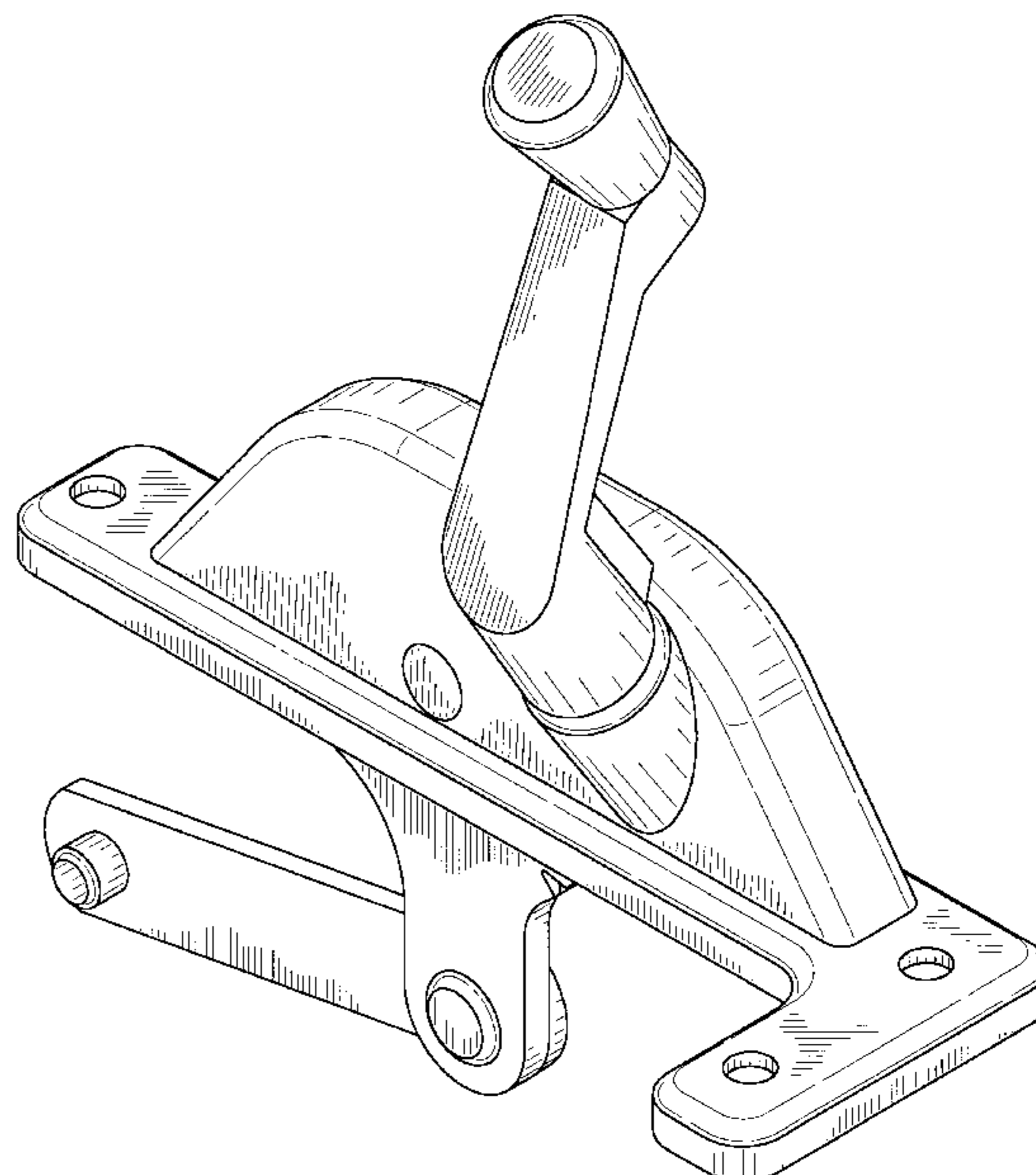
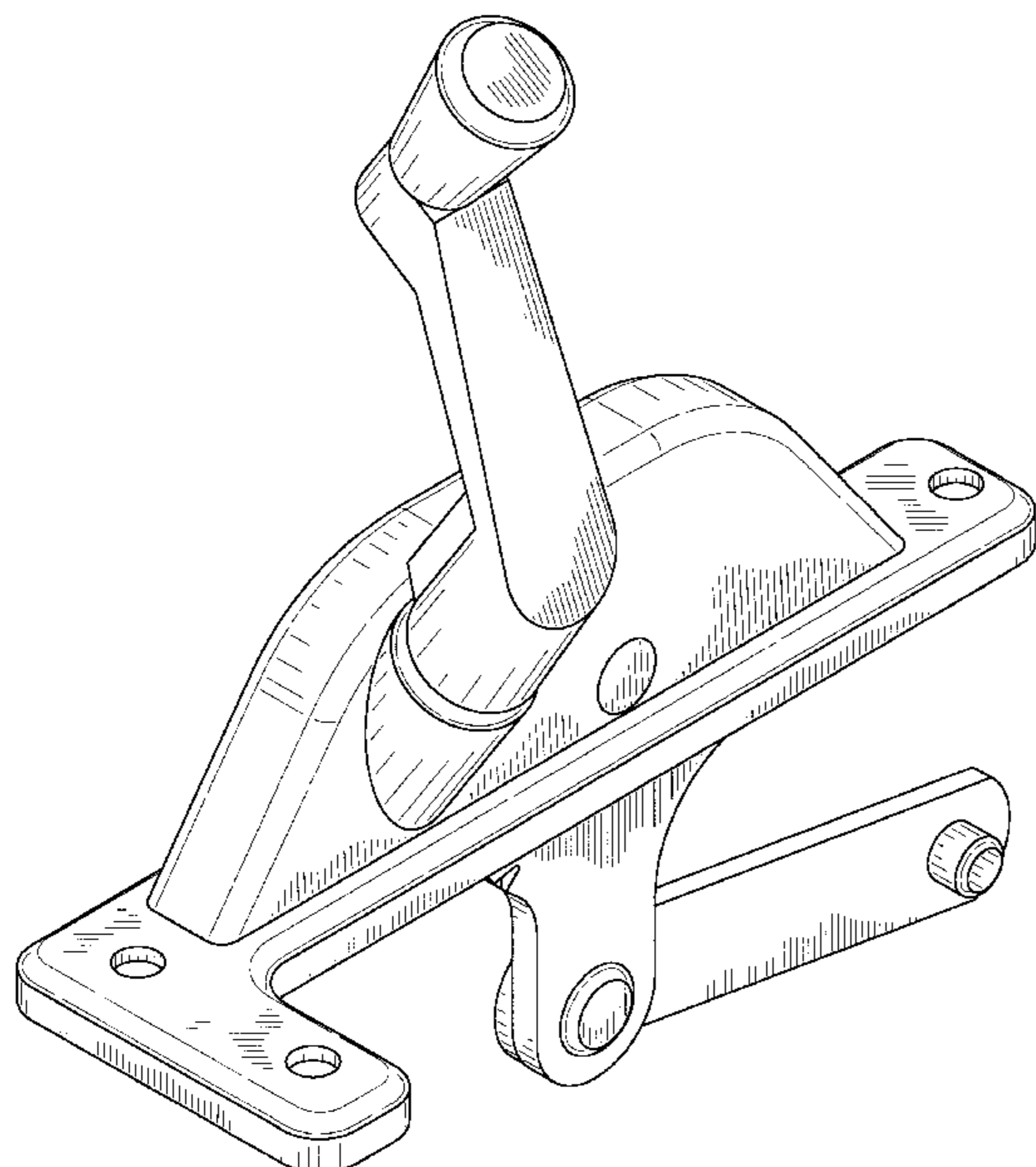
FIG. 11 is side view of the preferred left handed operator shown in FIG. 8 with a preferred handle portion facing to the right;

FIG. 12 is side view of the preferred left handed operator shown in FIG. 8 with the preferred handle portion facing to the left;

FIG. 13 is a top view of the preferred left handed operator shown in FIG. 8 with the preferred handle portion facing out of the page; and,

FIG. 14 is a top view of the preferred left handed operator shown in FIG. 8 with the preferred handle portion facing into the page.

**1 Claim, 10 Drawing Sheets**



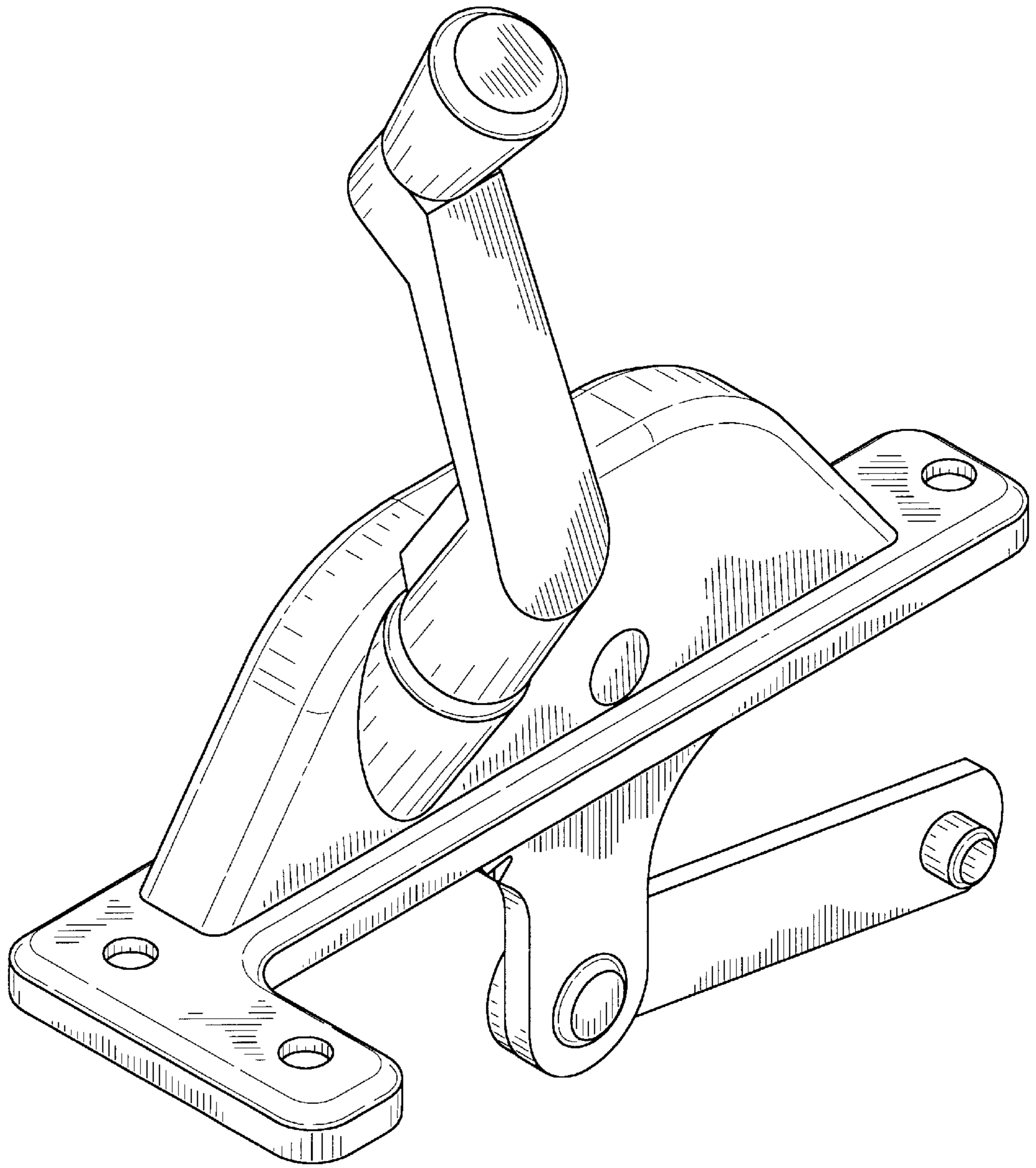


FIG-1

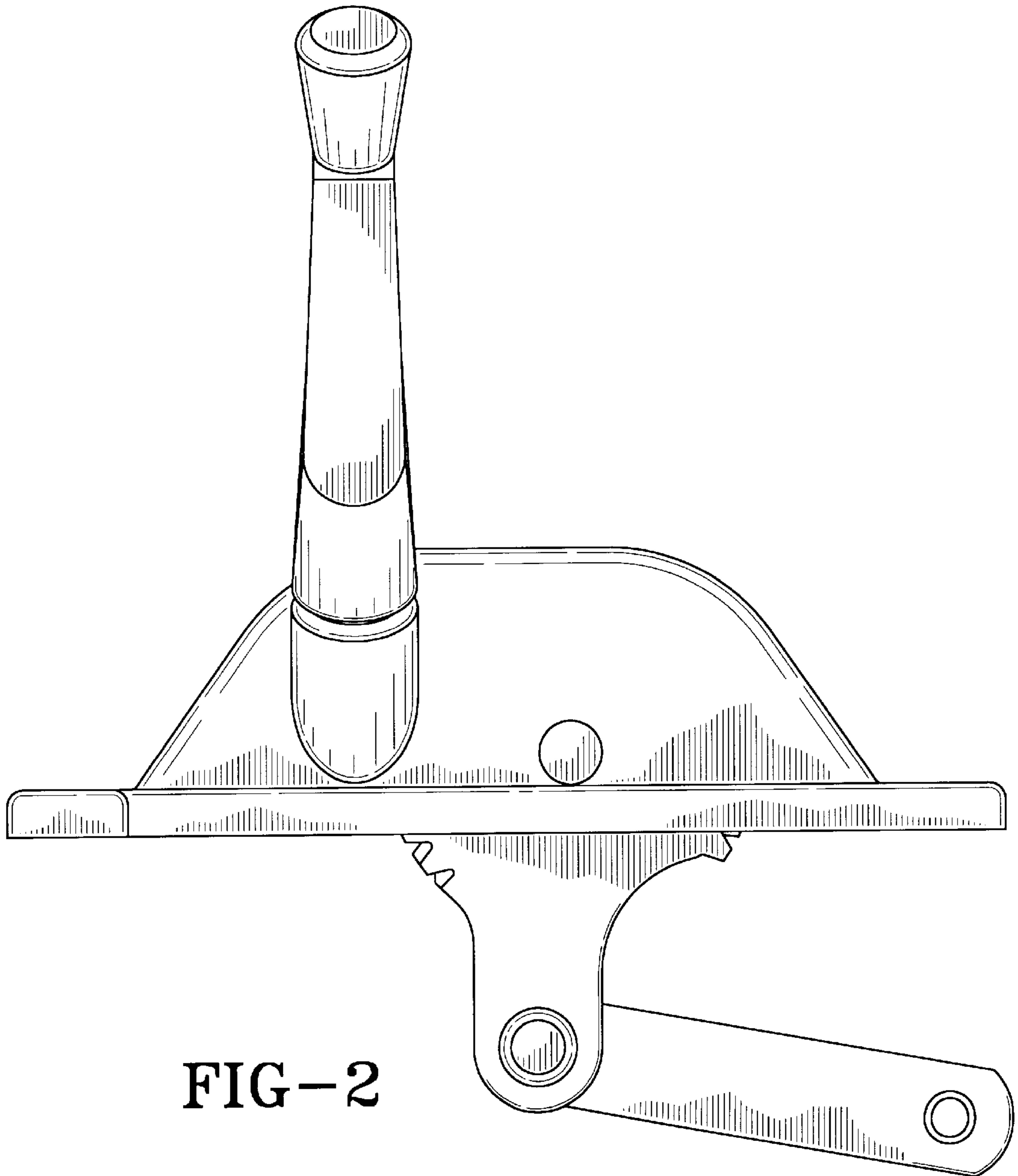


FIG-2

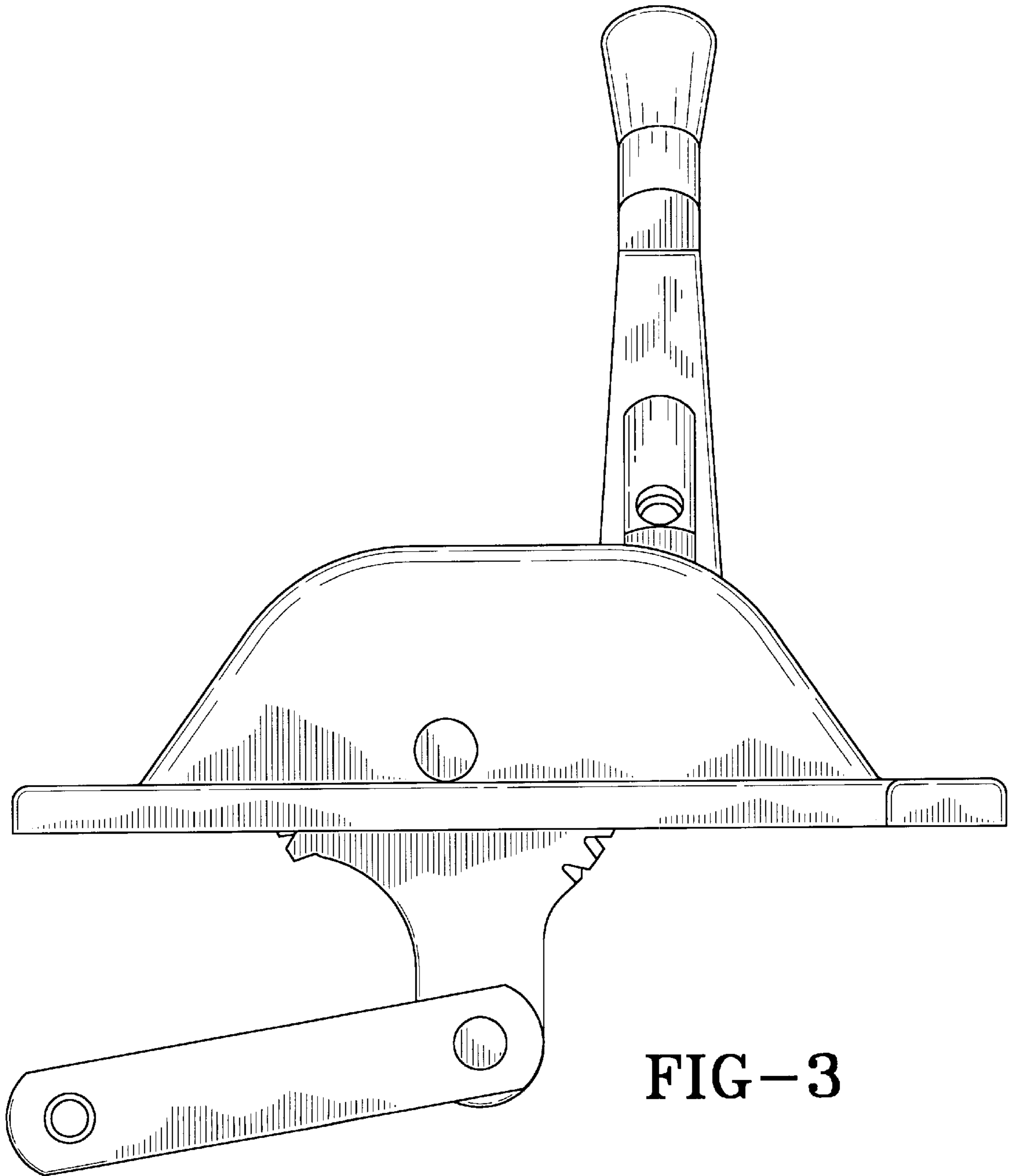


FIG-3

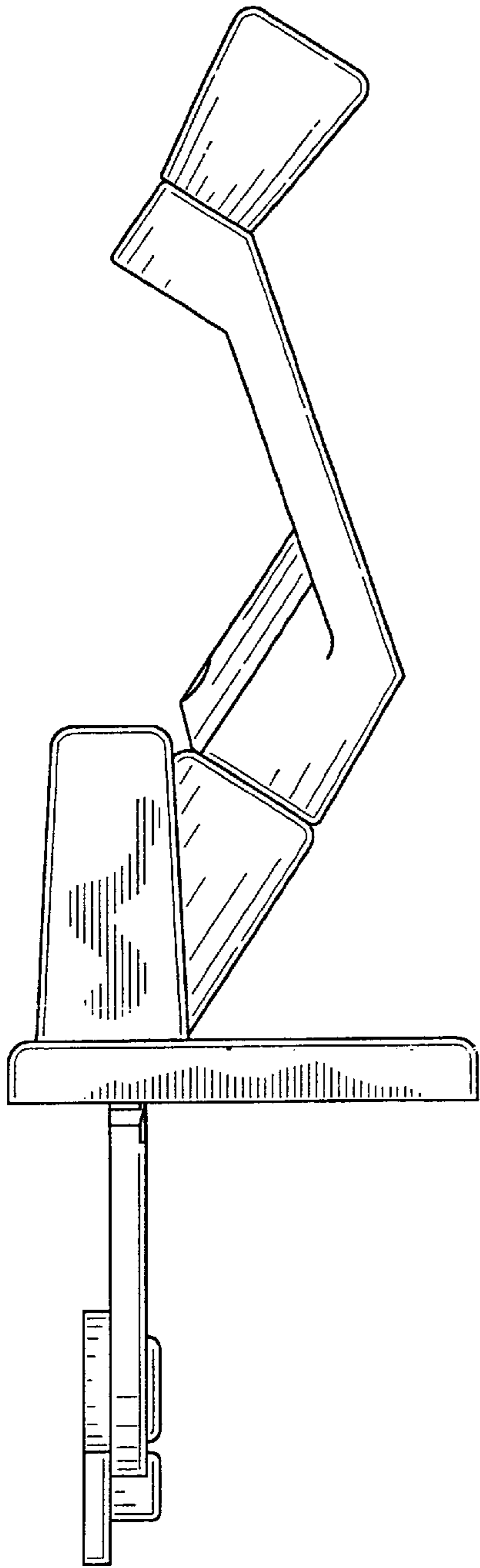


FIG-4

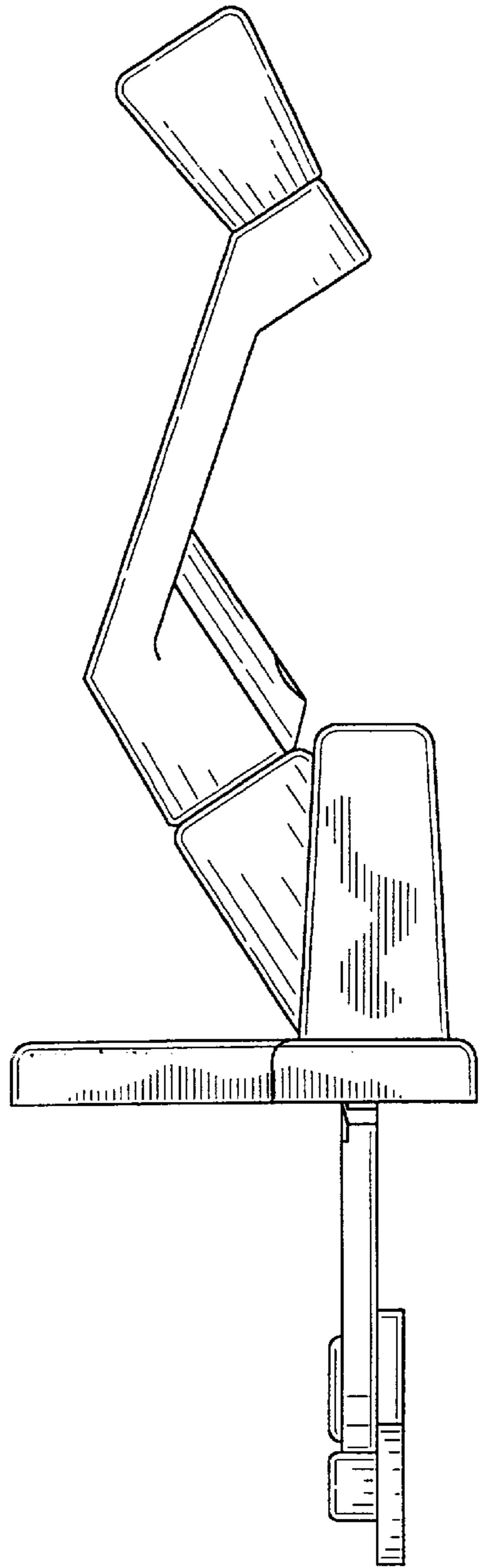


FIG-5

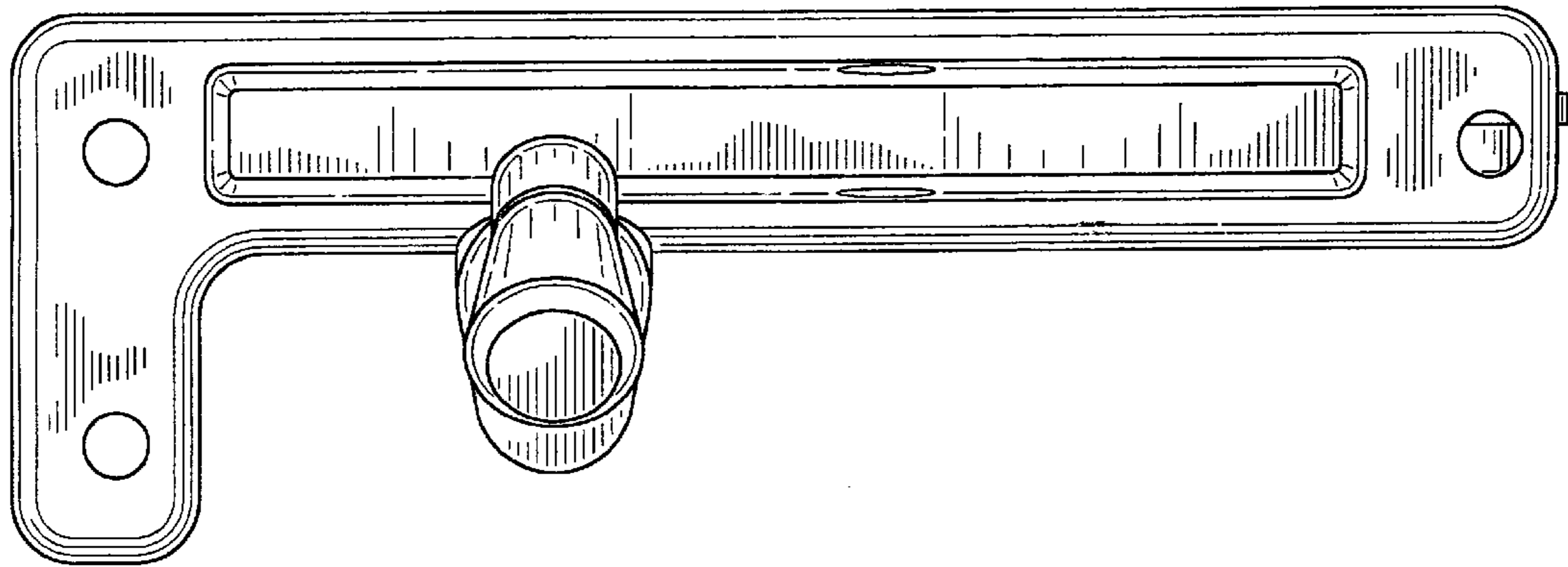


FIG-6

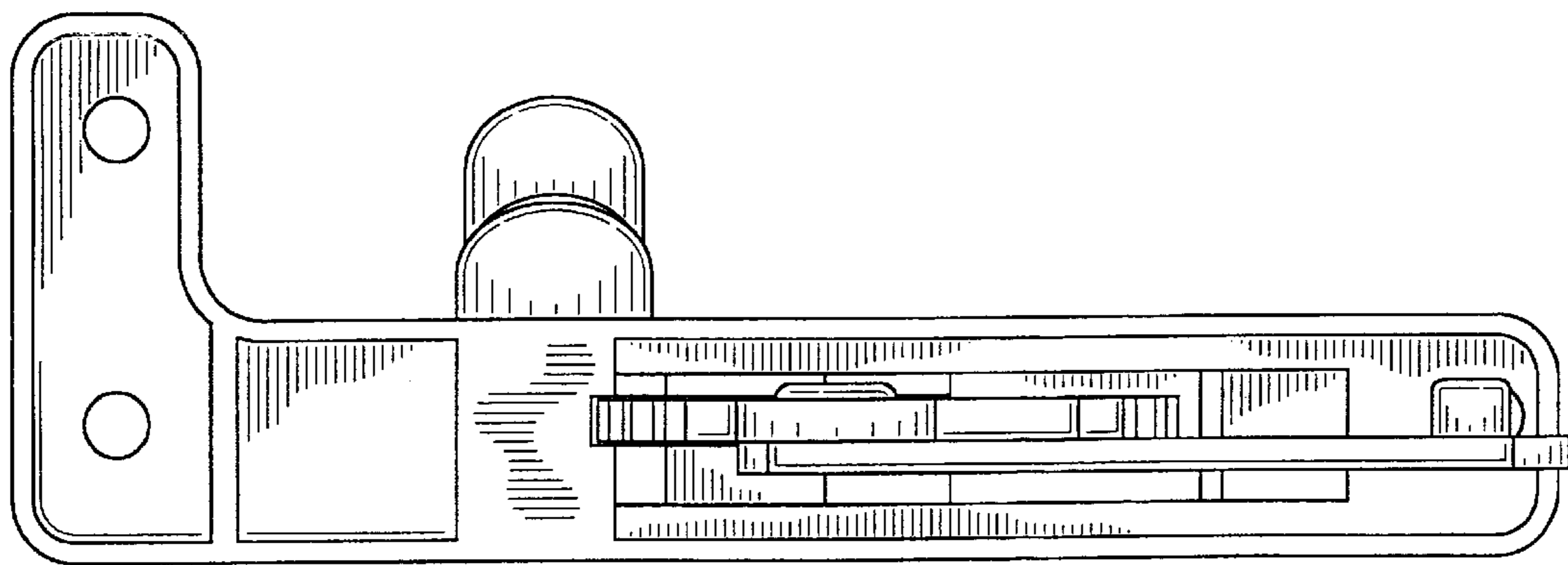


FIG-7

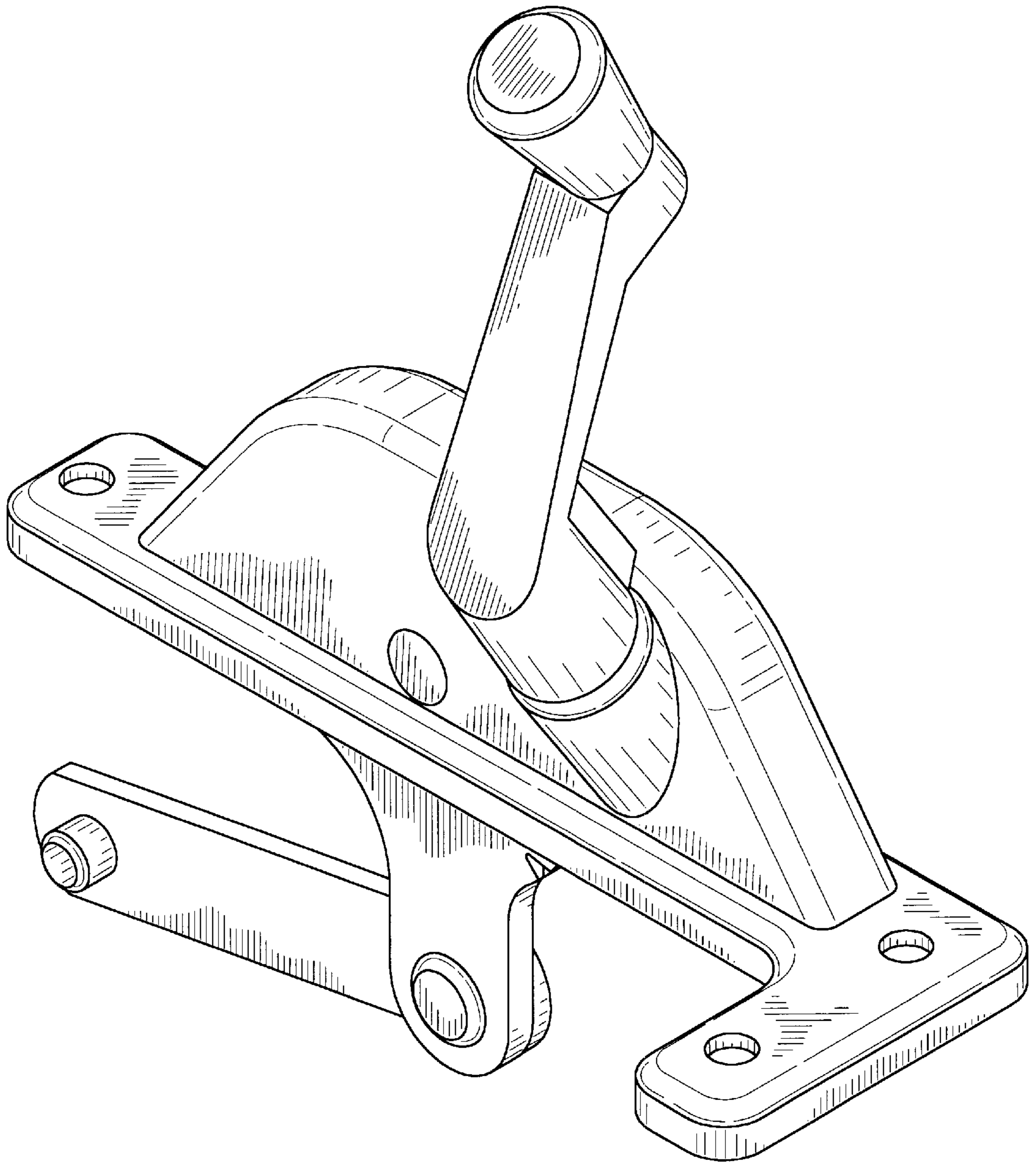
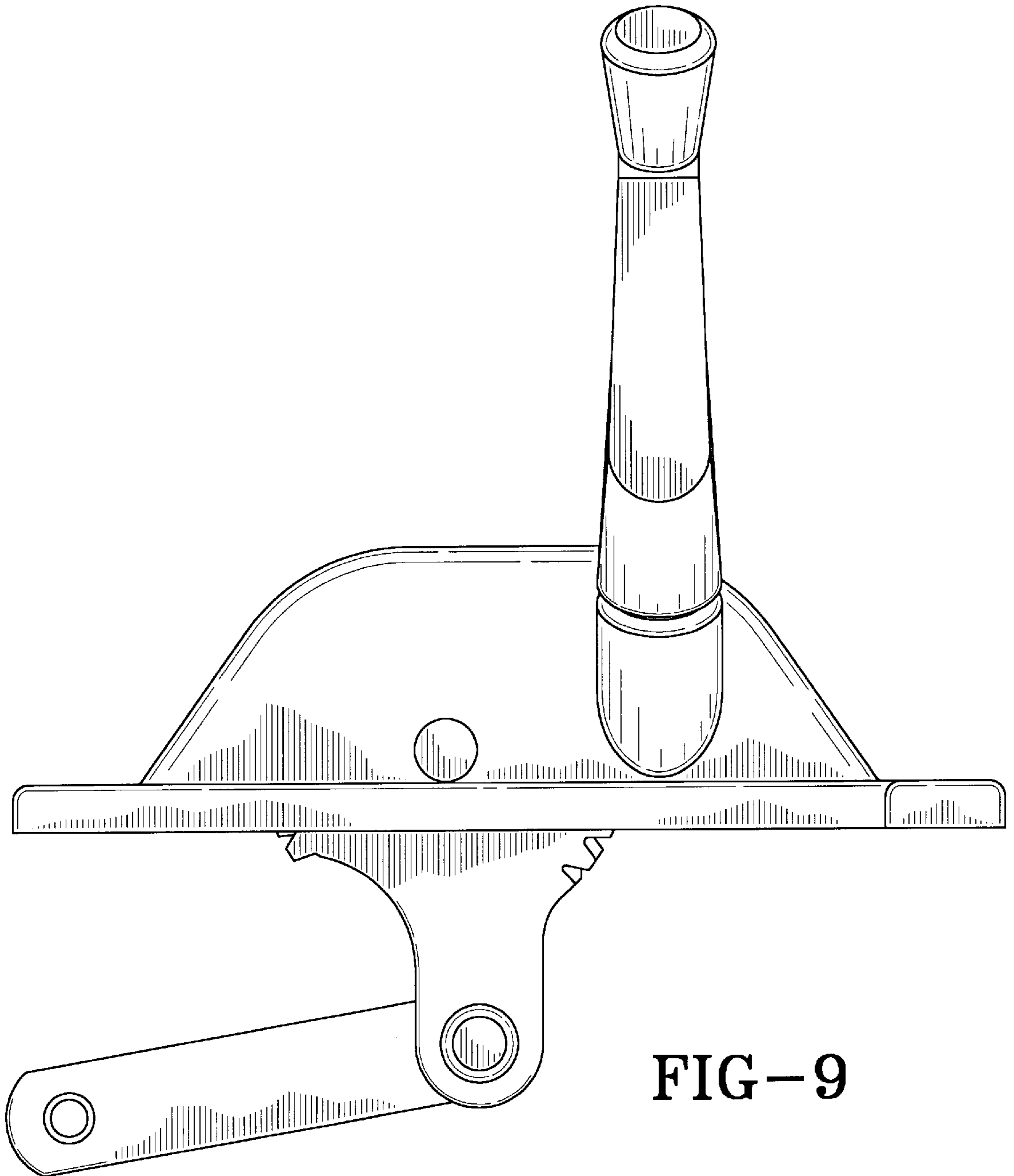


FIG-8





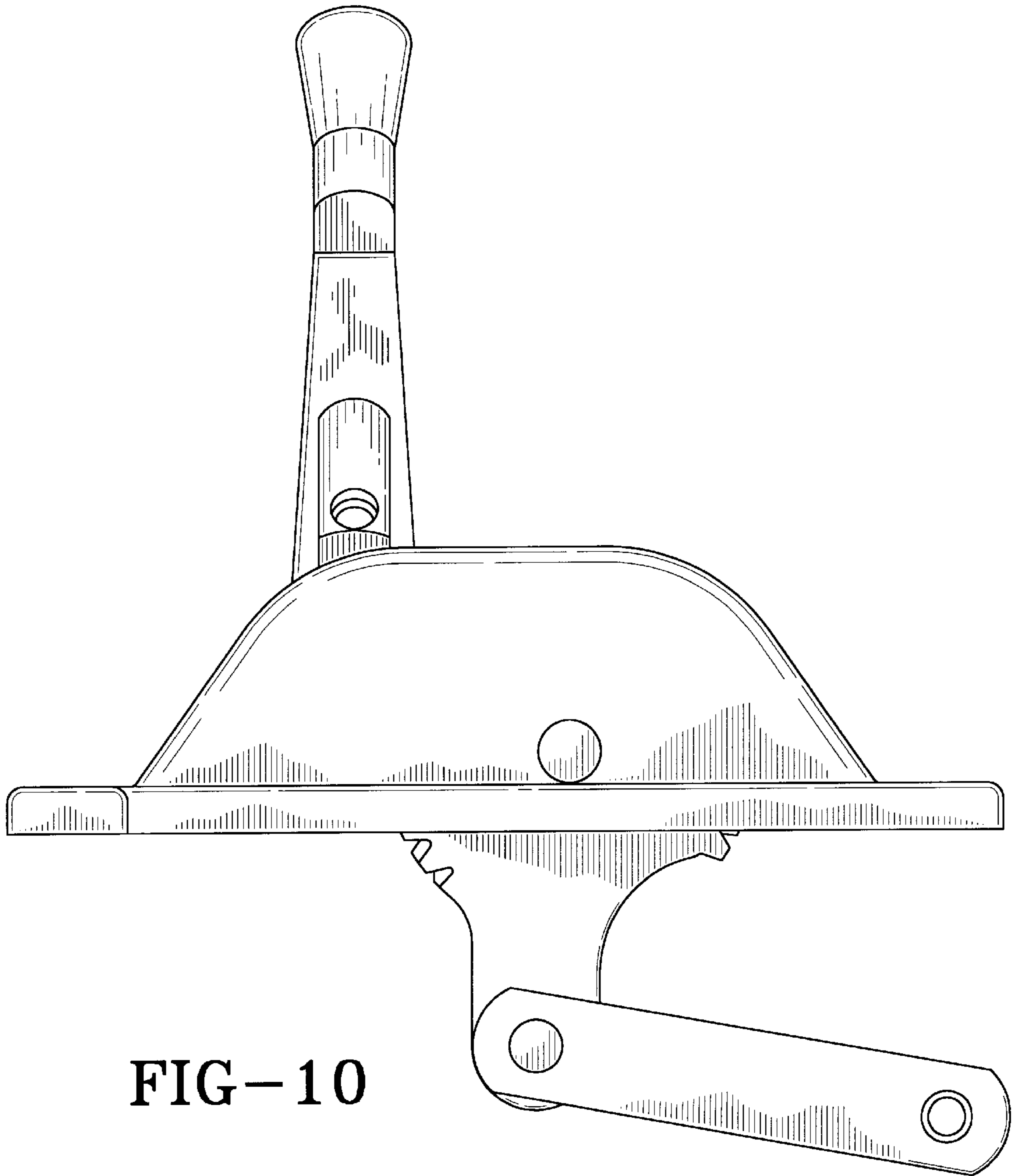


FIG-10

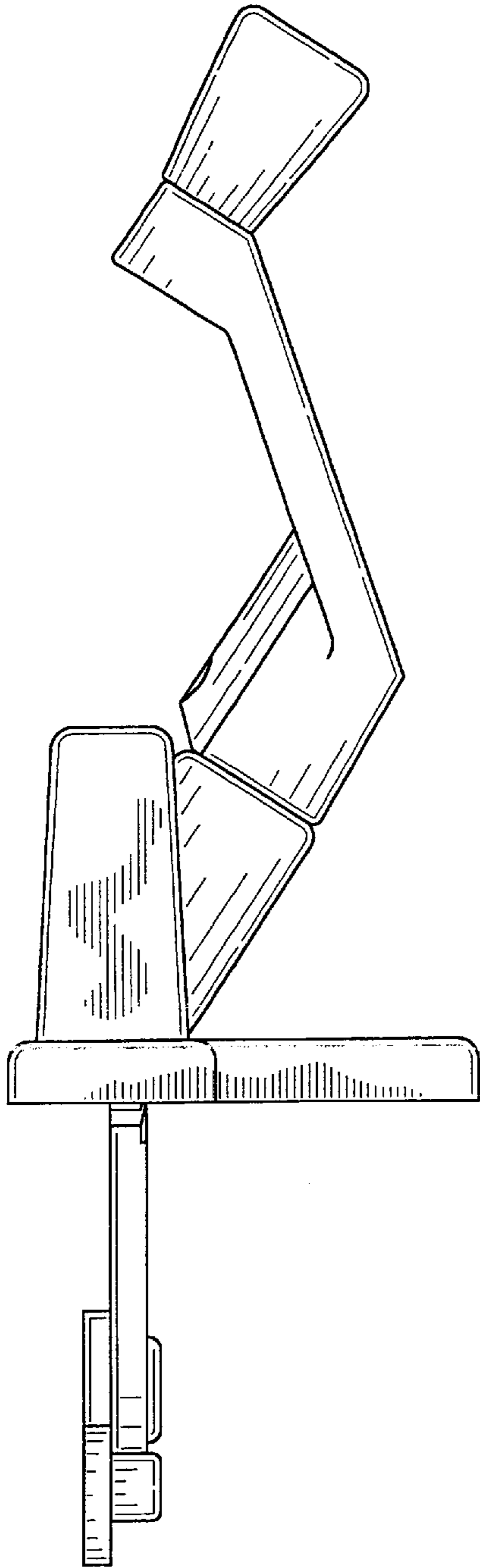


FIG-11

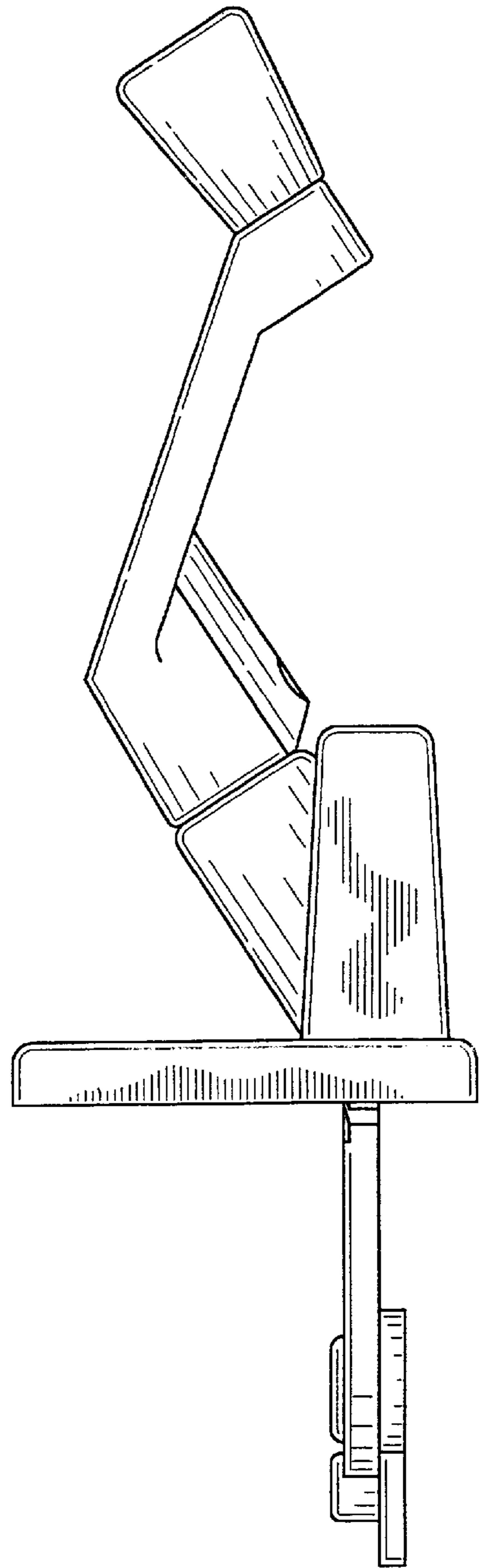


FIG-12

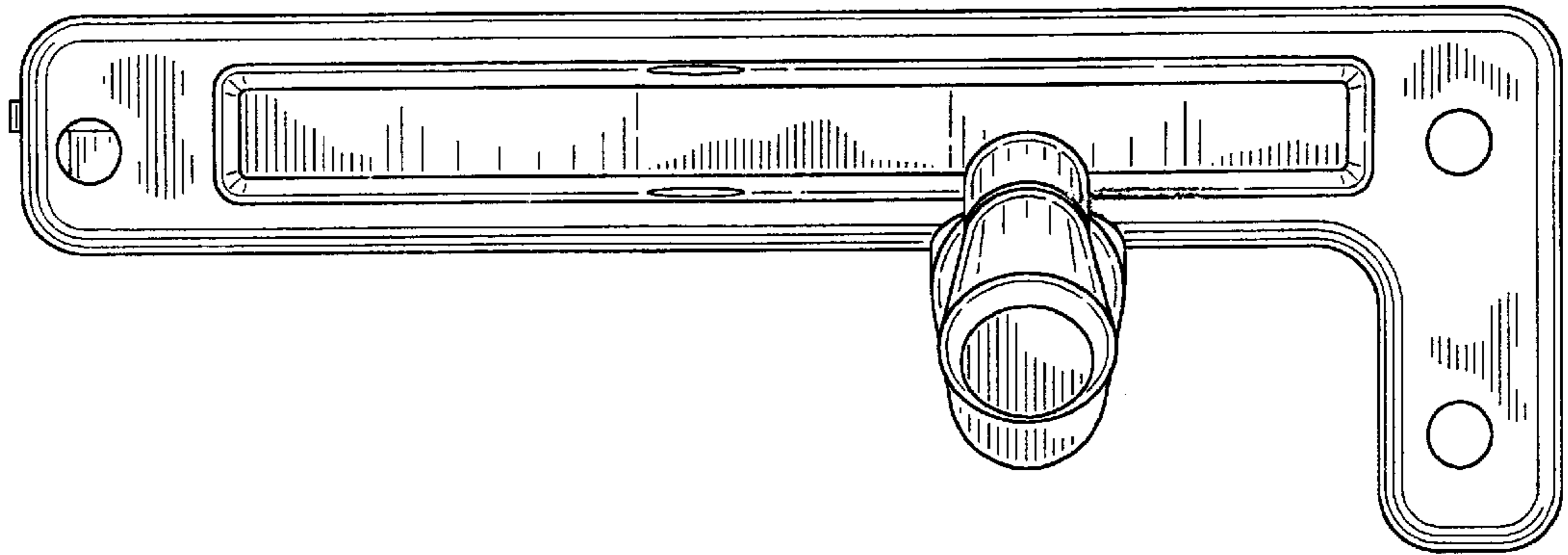


FIG-13

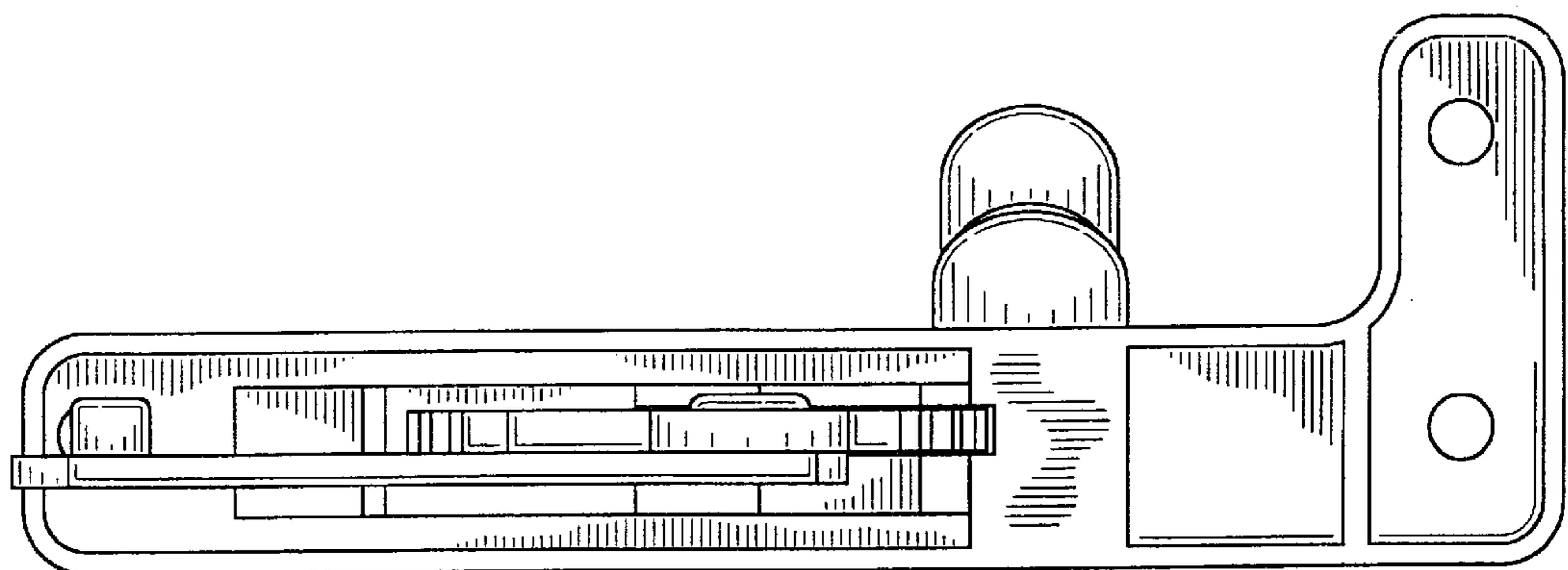


FIG-14