



US00D420888S

United States Patent [19]

Yu

[11] **Patent Number: Des. 420,888**

[45] **Date of Patent: ** Feb. 22, 2000**

[54] **HANDLE**

[76] Inventor: **Chih-Hsin Yu**, 4F, No. 257, Chung Cheng Rd., Hsin Tien City, Taiwan

[**] Term: **14 Years**

[21] Appl. No.: **29/106,591**

[22] Filed: **Jun. 18, 1999**

[51] **LOC (7) Cl.** **07-02**

[52] **U.S. Cl.** **D8/107; D7/395**

[58] **Field of Search** D8/45, 47, 98, D8/107, DIG. 4, DIG. 7; D7/393, 395, 401.2, 642, 664; 15/105.5; 16/110.1, 430, 431; 30/340; 81/177.1, 489

[56] **References Cited**

U.S. PATENT DOCUMENTS

- D. 374,795 10/1996 Lie D7/395
- D. 380,345 7/1997 Lu D7/395

- D. 384,242 9/1987 Ancona et al. D7/393
- D. 394,783 6/1998 Ancona et al. D7/395
- D. 396,168 7/1998 Cohen et al. D7/395

Primary Examiner—Alan P. Douglas
Assistant Examiner—Reid Hecker
Attorney, Agent, or Firm—Bacon & Thomas, PLLC

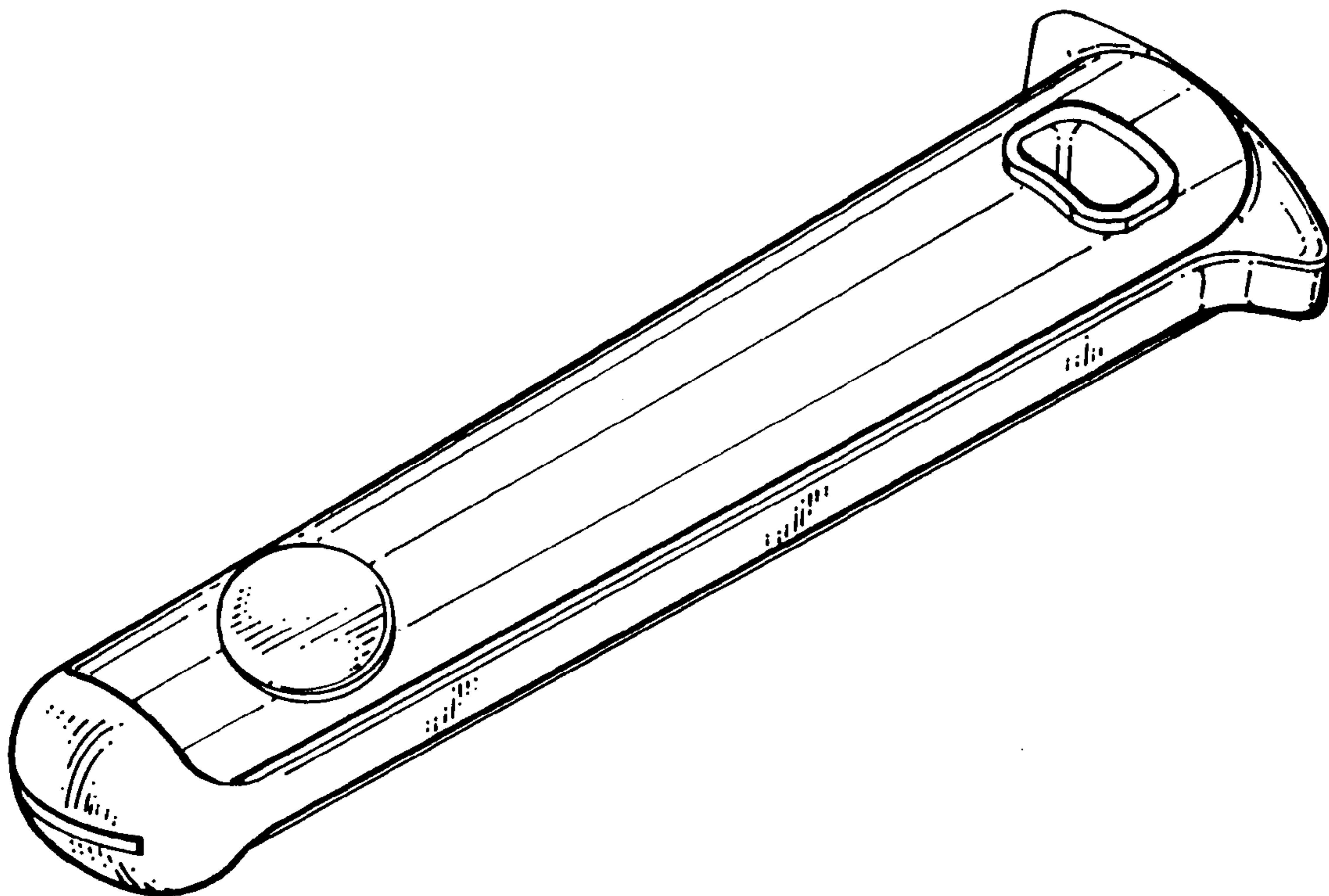
[57] **CLAIM**

The ornamental design for handle, as shown and described.

DESCRIPTION

FIG. 1 is a perspective view of handle showing my new design;
FIG. 2 is a front elevational view thereof;
FIG. 3 is a rear elevational view thereof;
FIG. 4 is a left side elevational view thereof;
FIG. 5 is a right side elevational view thereof;
FIG. 6 is a top plan view thereof; and,
FIG. 7 is a bottom plan view thereof.

1 Claim, 4 Drawing Sheets



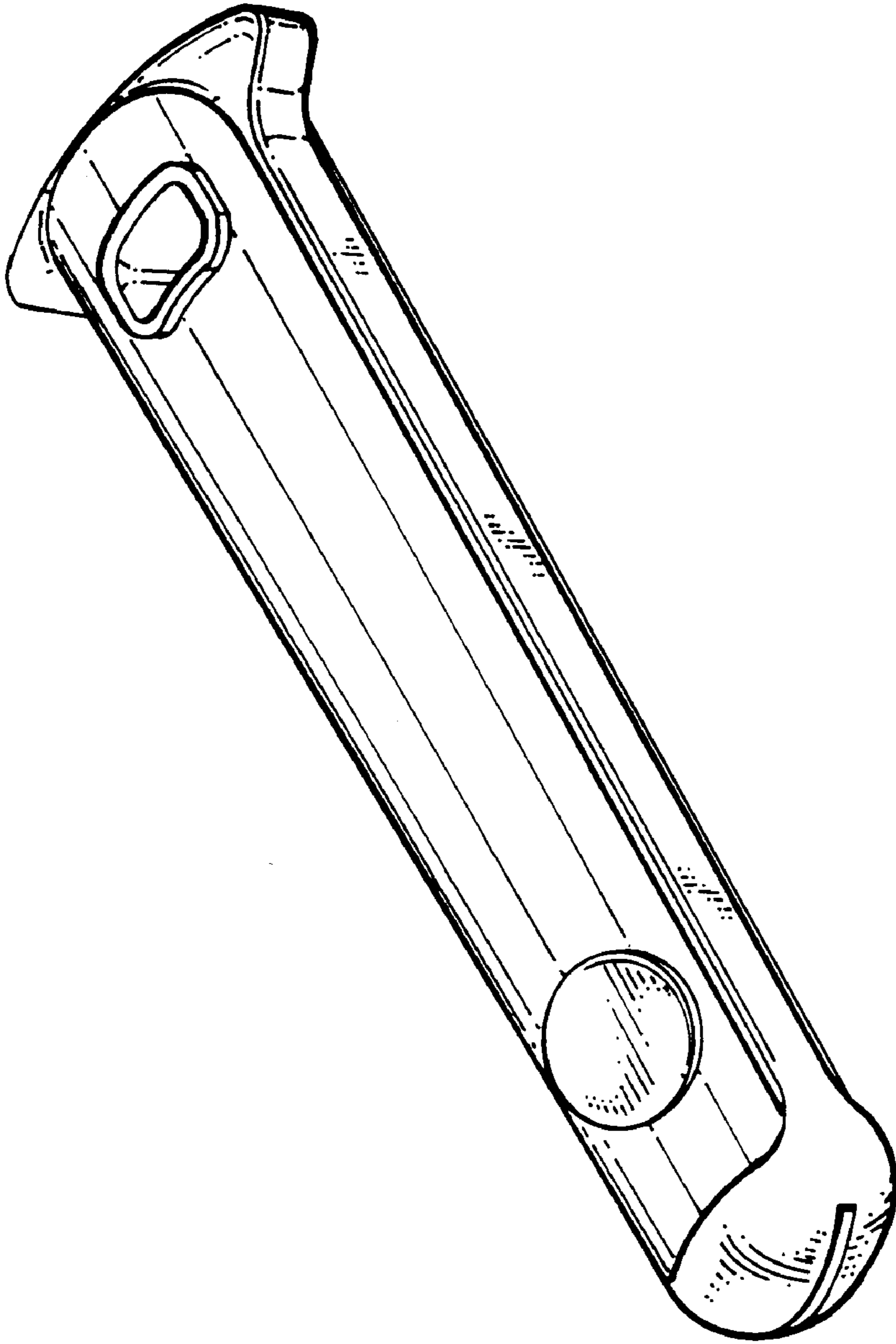


FIG 1

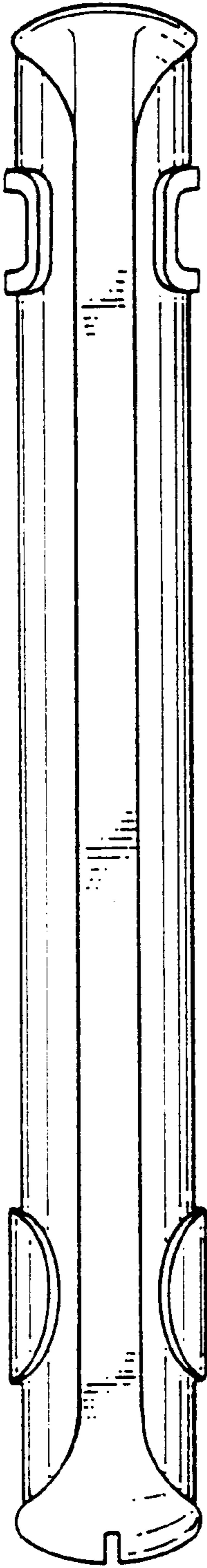


FIG 2

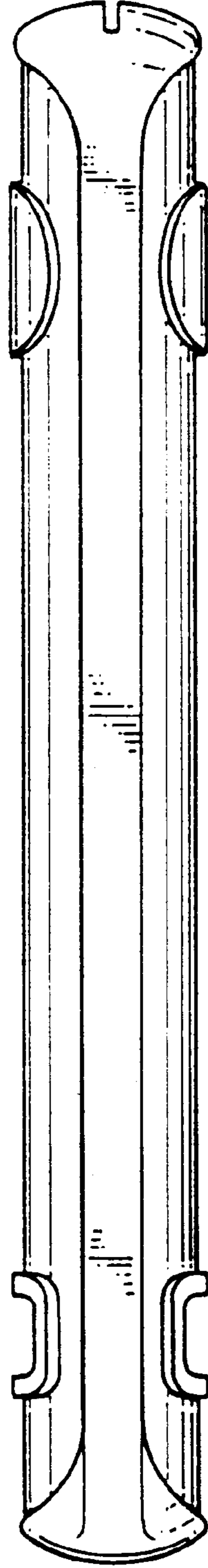


FIG 3

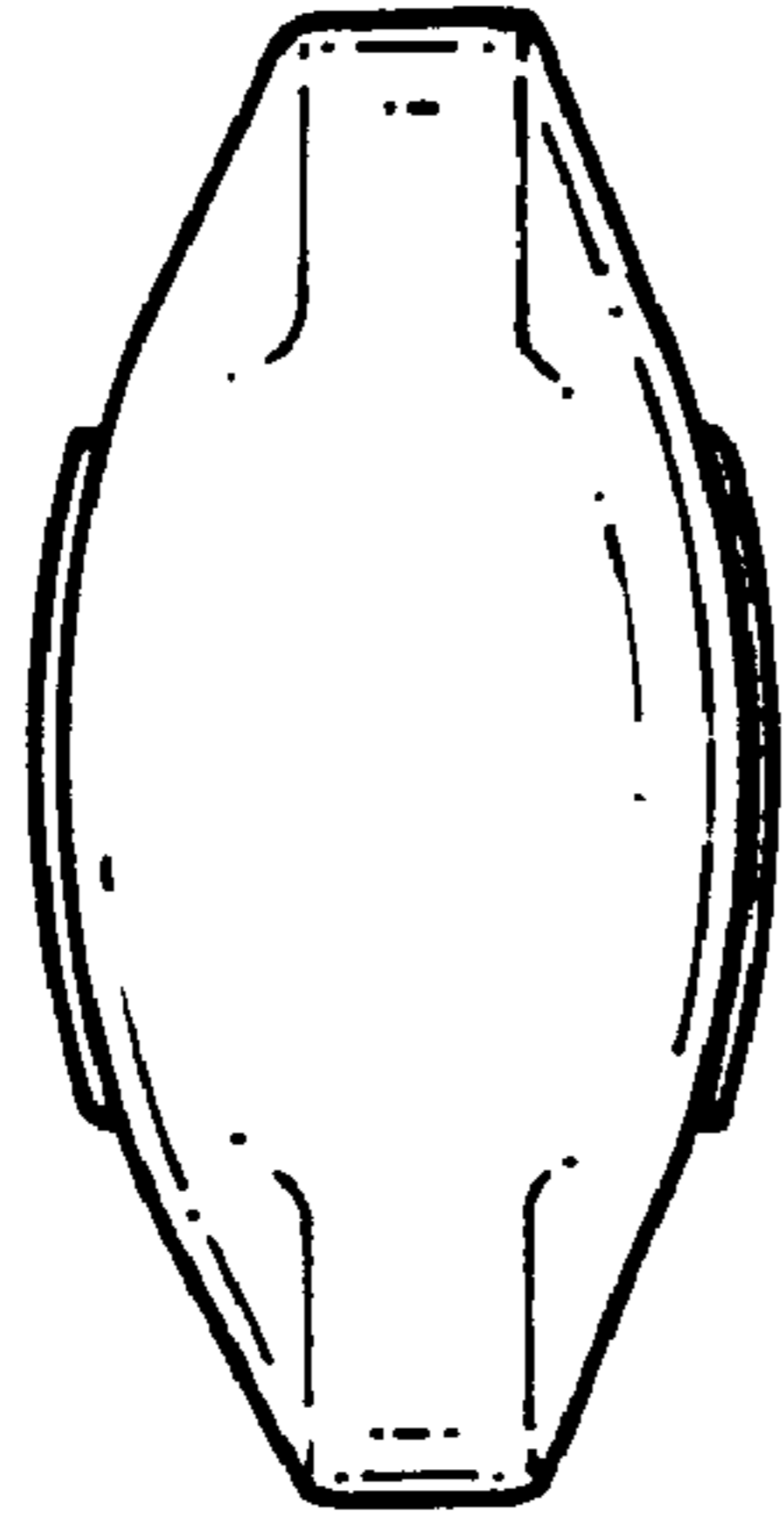


FIG 5

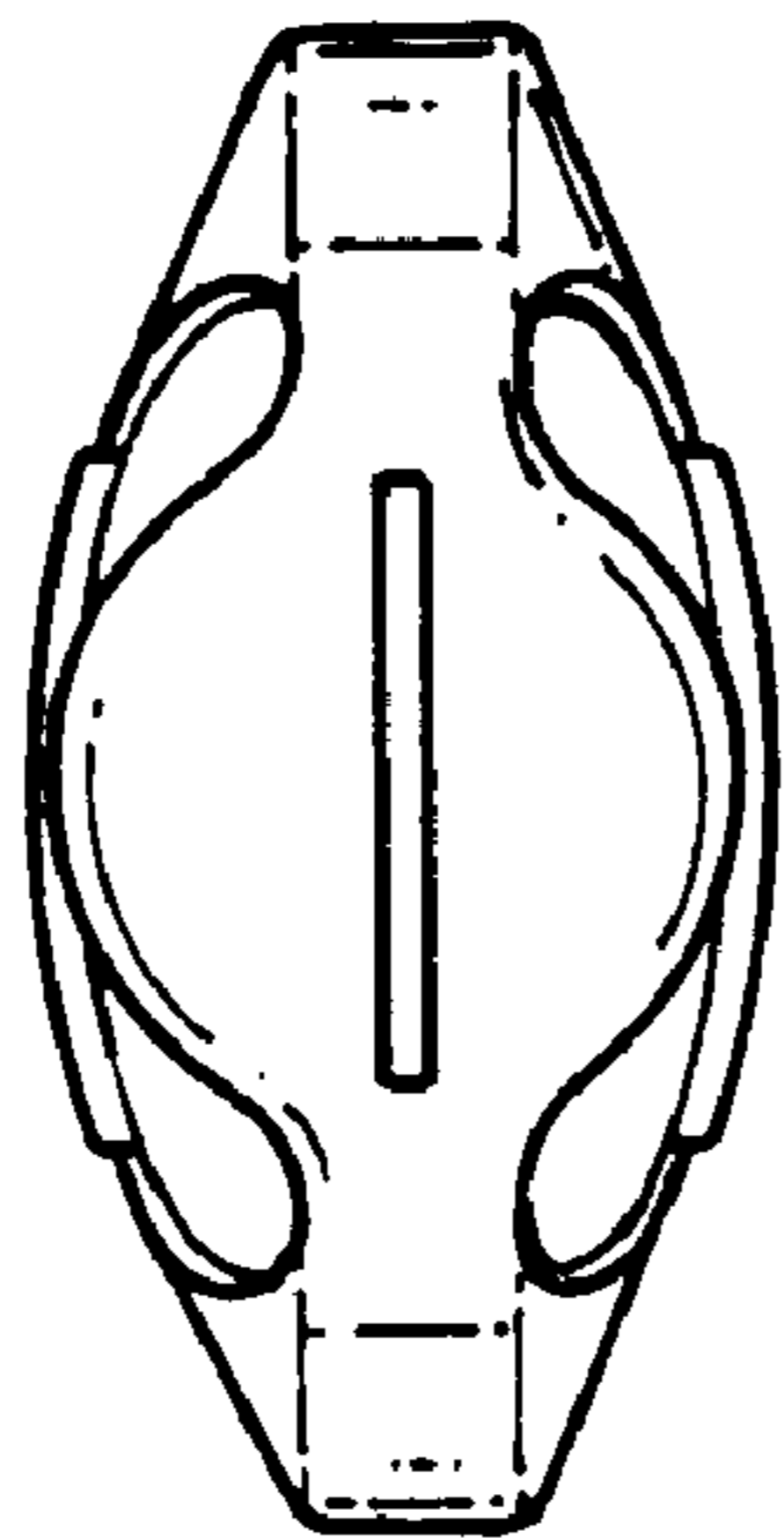


FIG 4

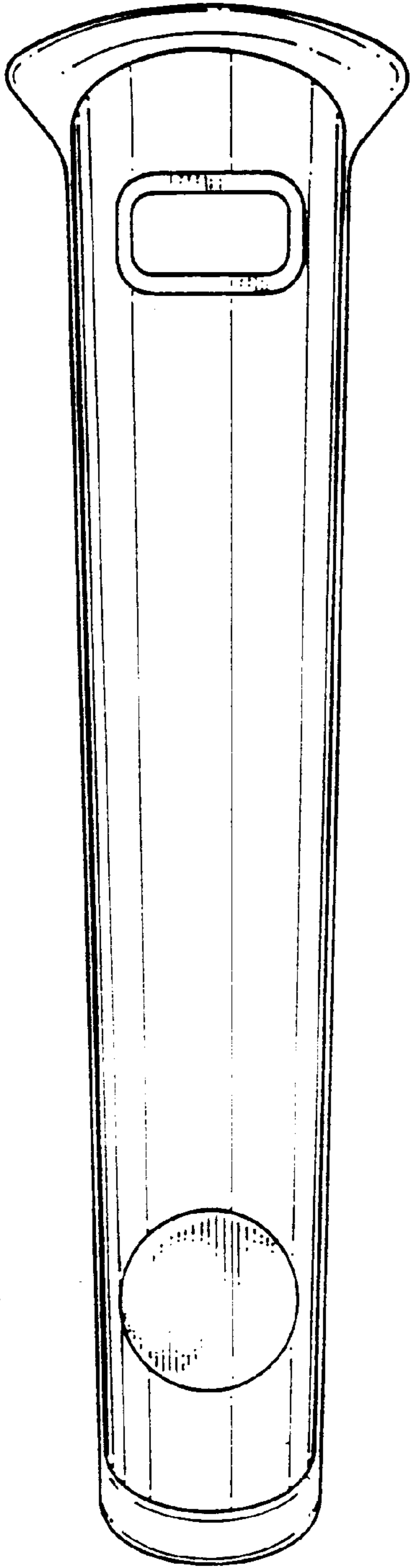


FIG 6

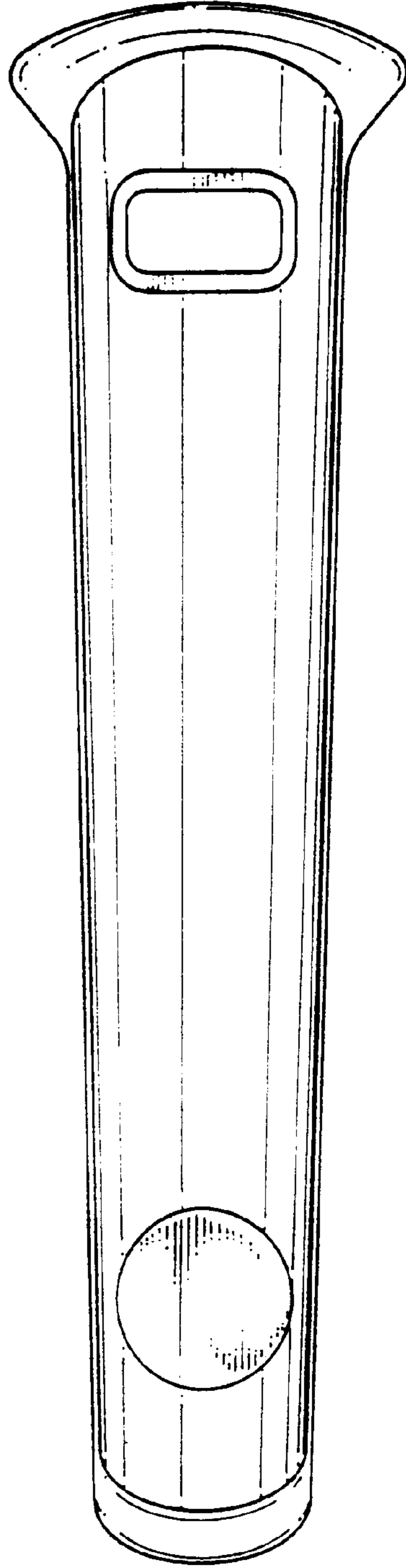


FIG 7