



US00D420881S

United States Patent [19]

[11] Patent Number: Des. 420,881

Davis et al.

[45] Date of Patent: ** Feb. 22, 2000

[54] **CLAW HAMMER**

[75] Inventors: **David L. Davis**, Overland, Mo.; **Joseph T. Gierer**, Glen Carbon, Ill.; **Kiyo Hoshino**, Chesterfield; **David L. Pringle**, Town & Country, both of Mo.

[73] Assignee: **Emerson Electric Co.**, St. Louis, Mo.

[**] Term: **14 Years**

[21] Appl. No.: **29/099,973**

[22] Filed: **Feb. 1, 1999**

Related U.S. Application Data

[63] Continuation-in-part of application No. 29/086,018, Apr. 2, 1998.

[51] **LOC (7) Cl.** **08-02**

[52] **U.S. Cl.** **D8/75**

[58] **Field of Search** D8/75, 76, 77, D8/78; 81/20, 21, 22, 23, 24

[56] References Cited

U.S. PATENT DOCUMENTS

D. 262,186	12/1981	Royce	D8/75
D. 267,469	1/1983	Crowder	D8/75
D. 275,261	8/1984	Crowder	D8/75
D. 322,021	12/1991	Hsu	D8/75
D. 325,863	5/1992	Chen	D8/75
2,754,863	7/1956	Yearley	81/20

Primary Examiner—Philip S. Hyder
Attorney, Agent, or Firm—Arnold White & Durkee

[57] CLAIM

The ornamental design for a claw hammer, as shown and described.

DESCRIPTION

FIG. 1 is a side view illustrating the claw hammer of the

present invention;

FIG. 2 is a side view illustrating the side of the claw hammer of the present invention opposite the side illustrated in FIG. 1;

FIG. 3 is an oblique view of the claw hammer having a right-handed handle portion in accordance with a first embodiment of the present invention;

FIG. 4 is a back view illustrating the claw having a right-handed handle portion in accordance with the first embodiment of the present invention;

FIG. 5 is a front view illustrating the claw having a right-handed handle portion in accordance with the first embodiment of the present invention;

FIG. 6 is a top view illustrating the claw having a right-handed handle portion in accordance with the first embodiment of the present invention;

FIG. 7 is a bottom view illustrating the claw having a right-handed handle portion in accordance with the first embodiment of the present invention;

FIG. 8 is an oblique view of the claw hammer having a left-handed handle portion in accordance with a second embodiment of the present invention;

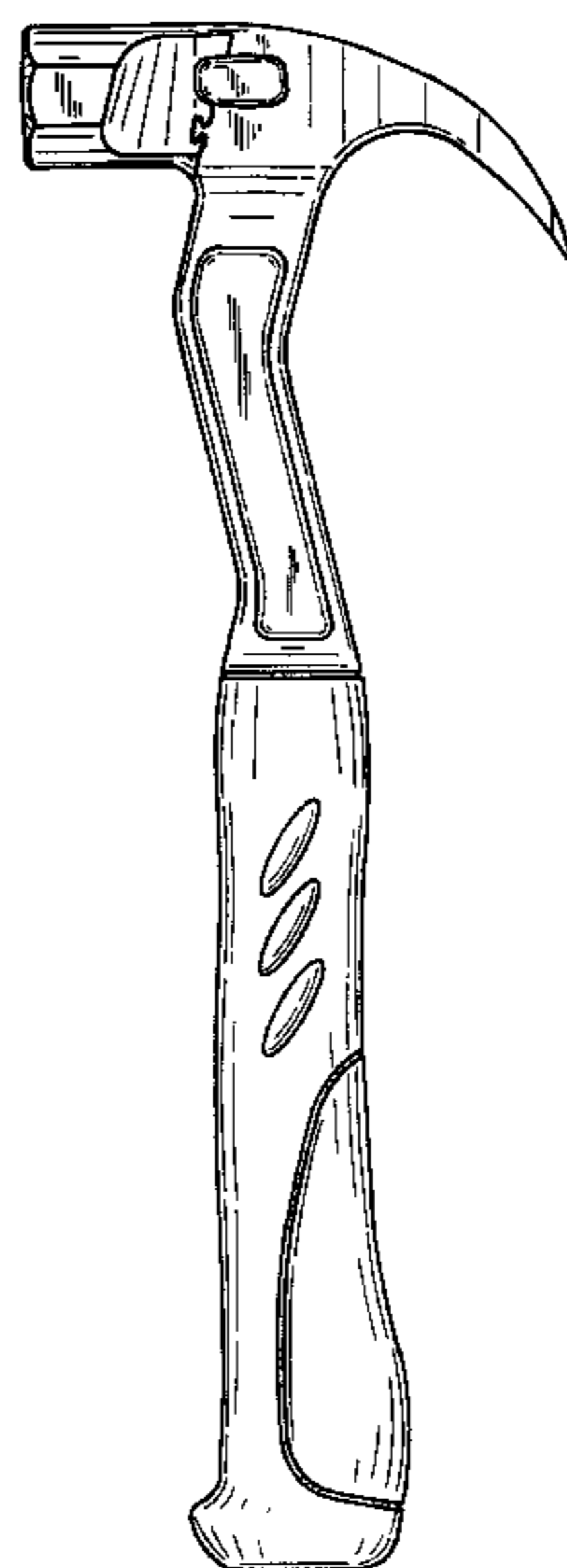
FIG. 9 is a back view of the claw hammer having a left-handed handle portion in accordance with the second embodiment of the present invention;

FIG. 10 is a front view of the claw hammer having a left-handed handle portion in accordance with the second embodiment of the present invention;

FIG. 11 is a top view of the claw hammer having a left-handed handle portion in accordance with the second embodiment of the present invention; and,

FIG. 12 is a bottom view of the claw hammer having a left-handed handle portion in accordance with the second embodiment of the present invention.

1 Claim, 8 Drawing Sheets



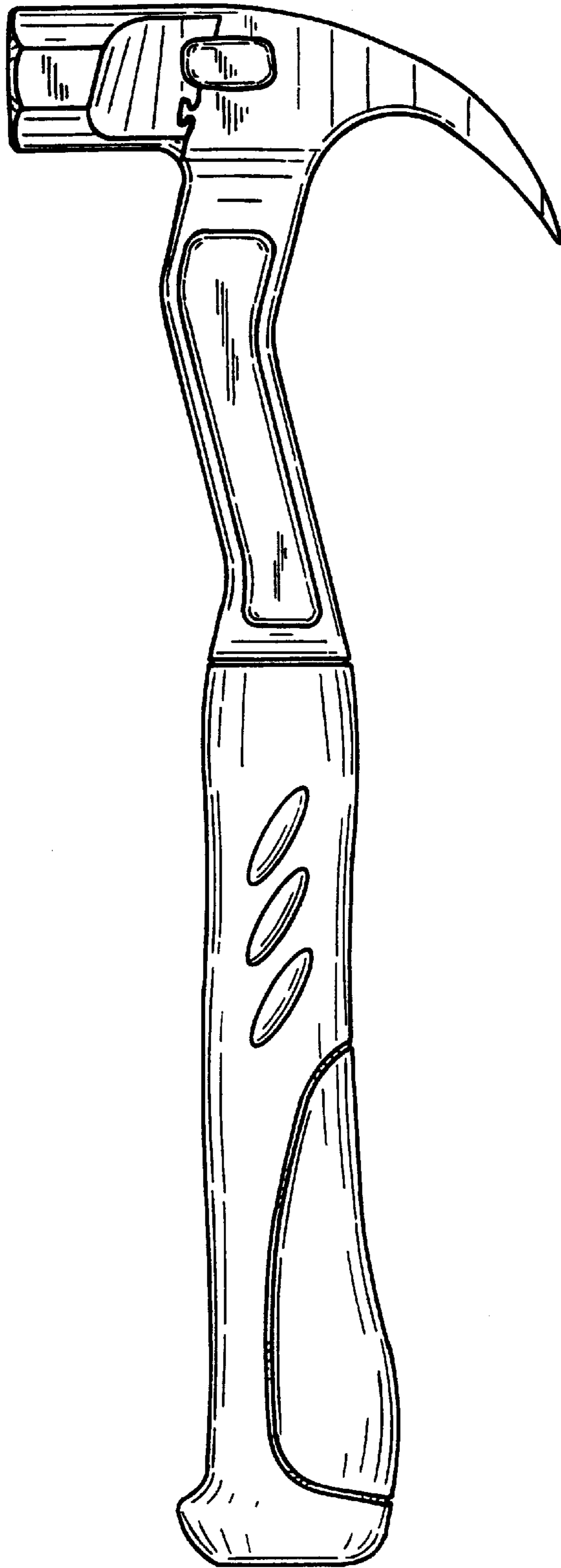


FIG. 1

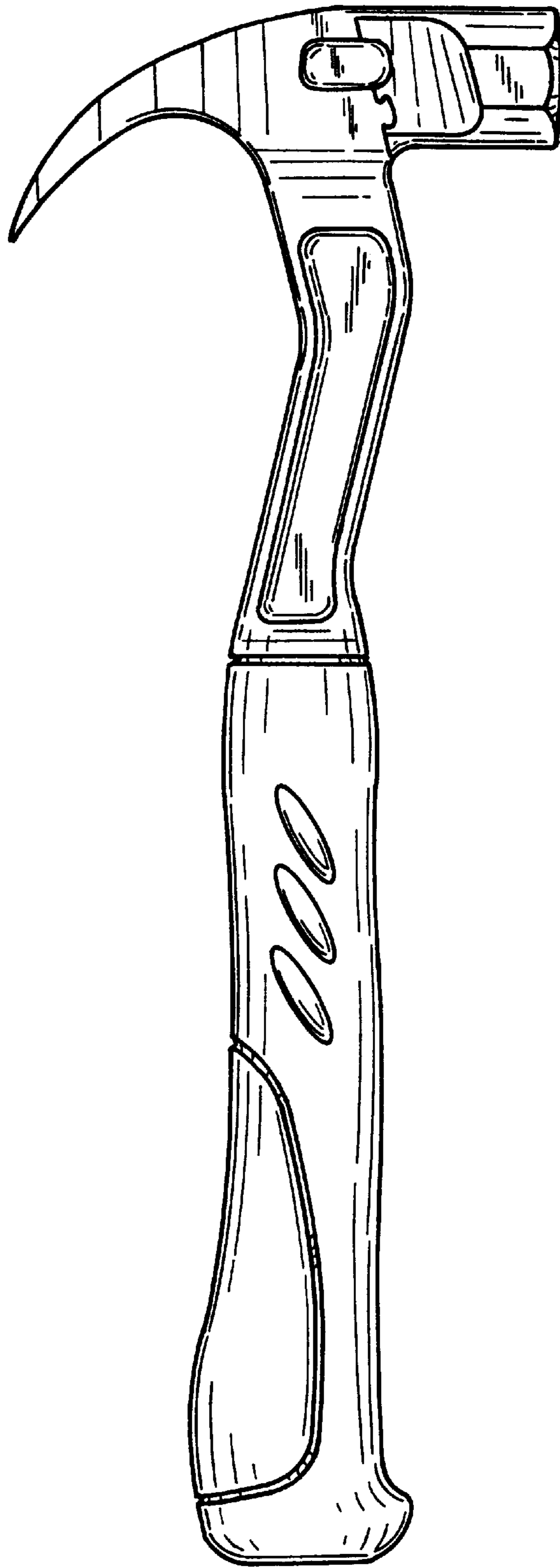


FIG. 2



FIG. 3

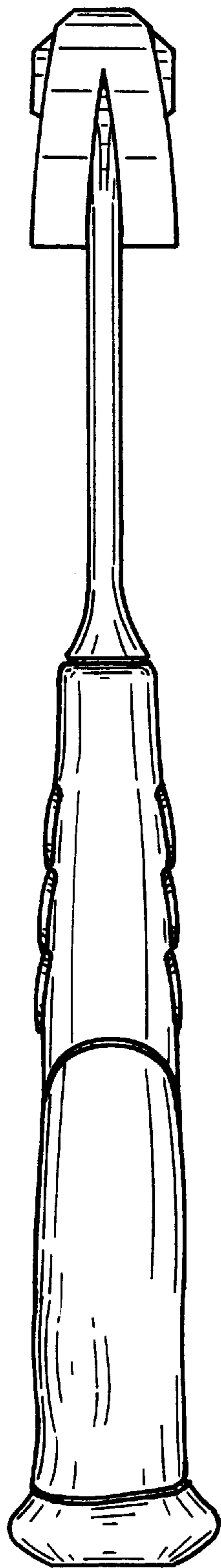


FIG. 4

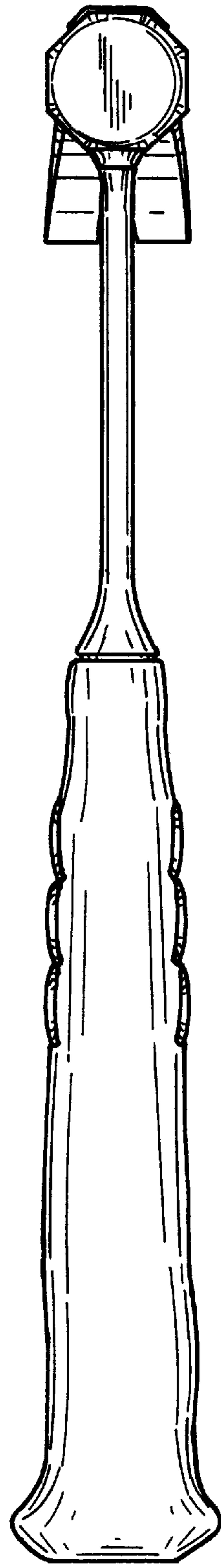


FIG. 5

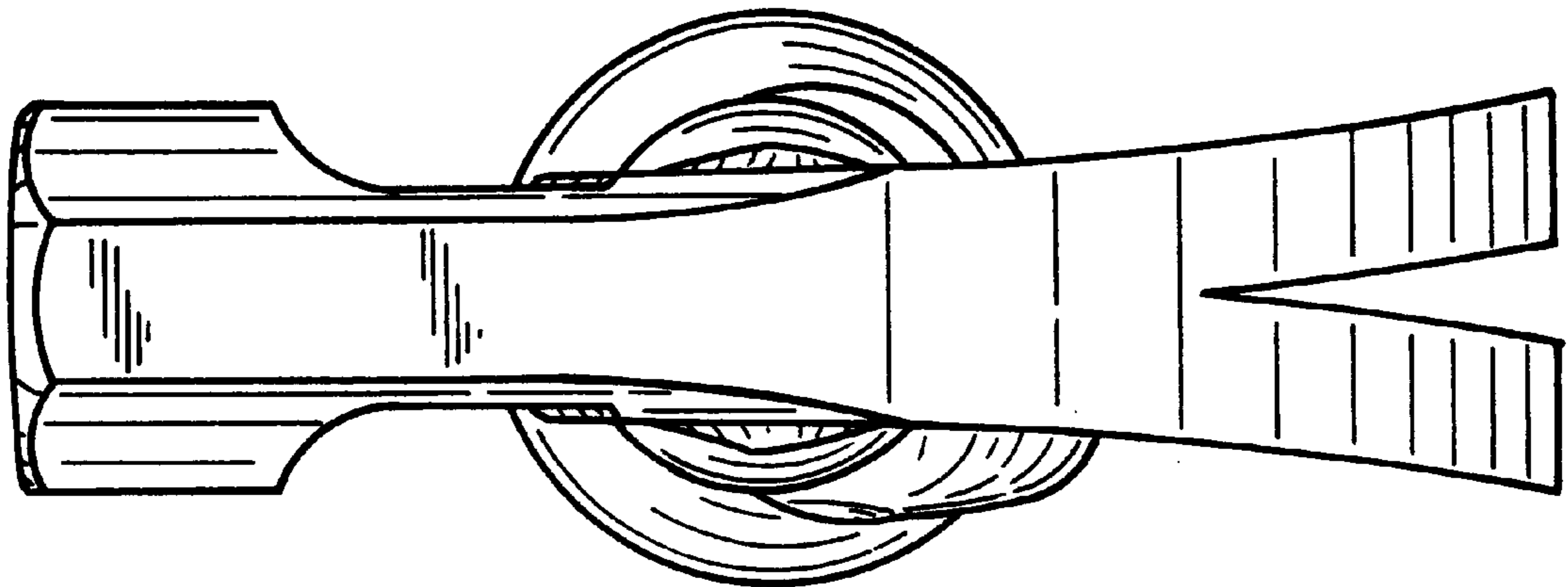


FIG. 6

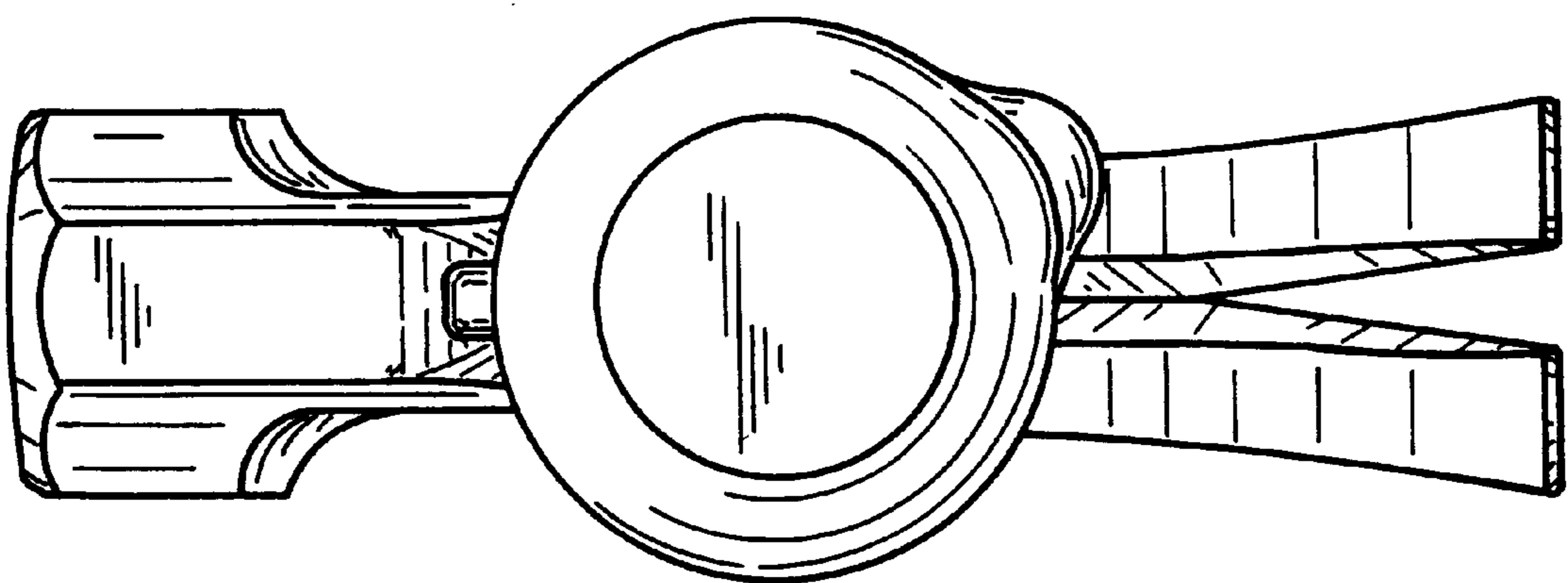


FIG. 7

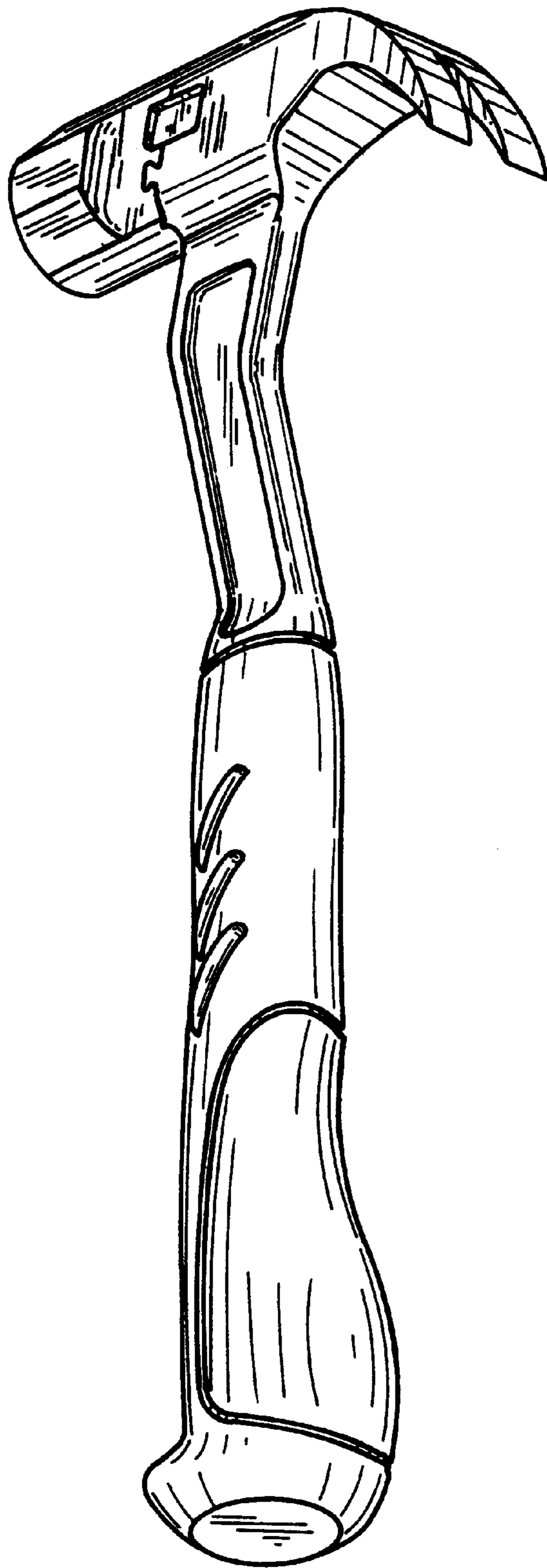


FIG. 8

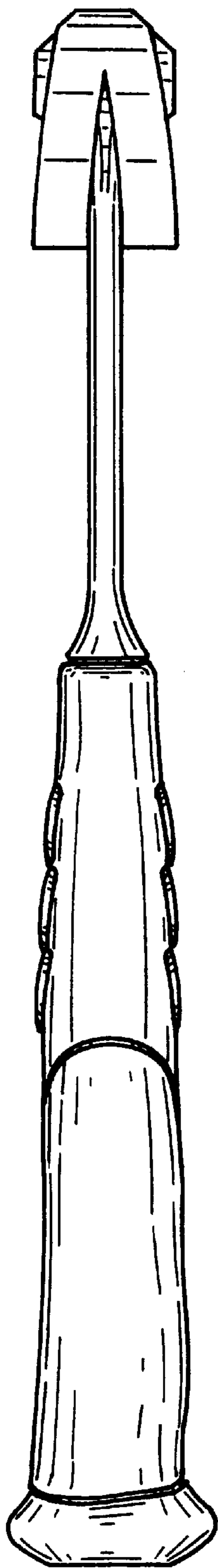


FIG. 9

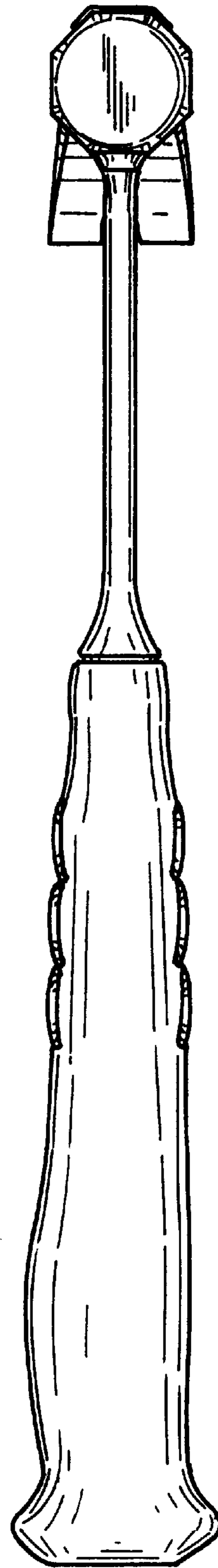


FIG. 10

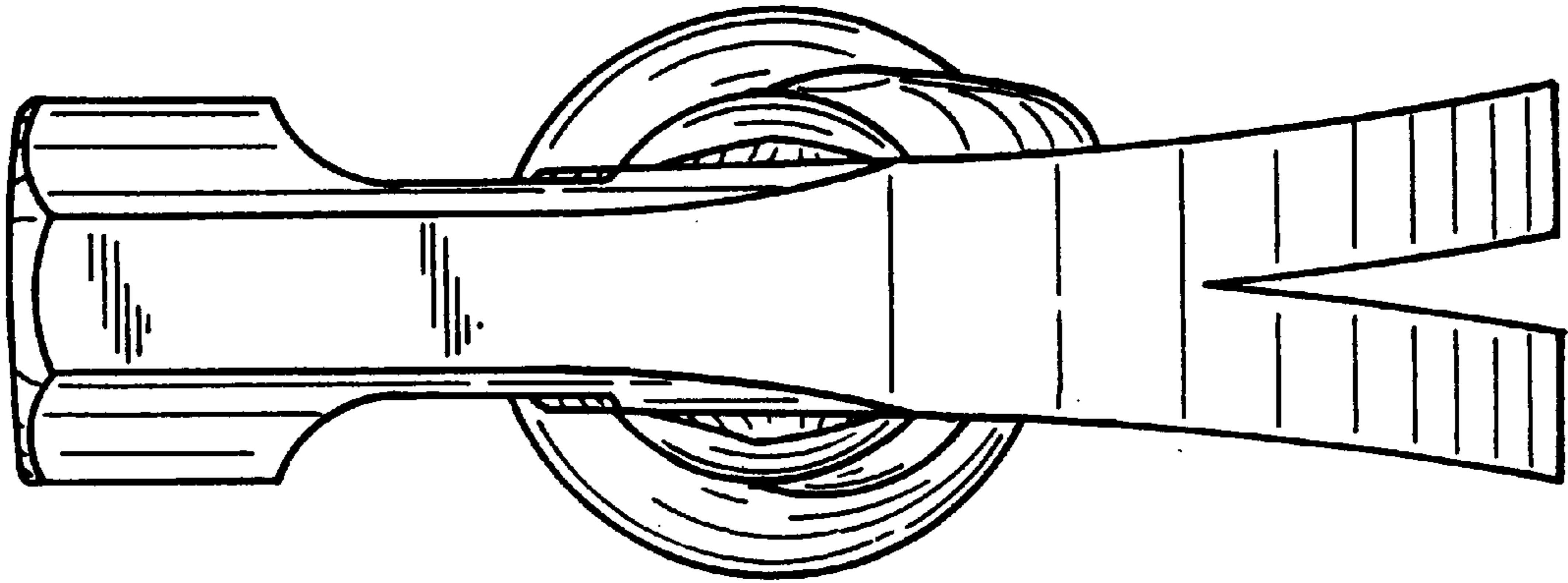


FIG. 11

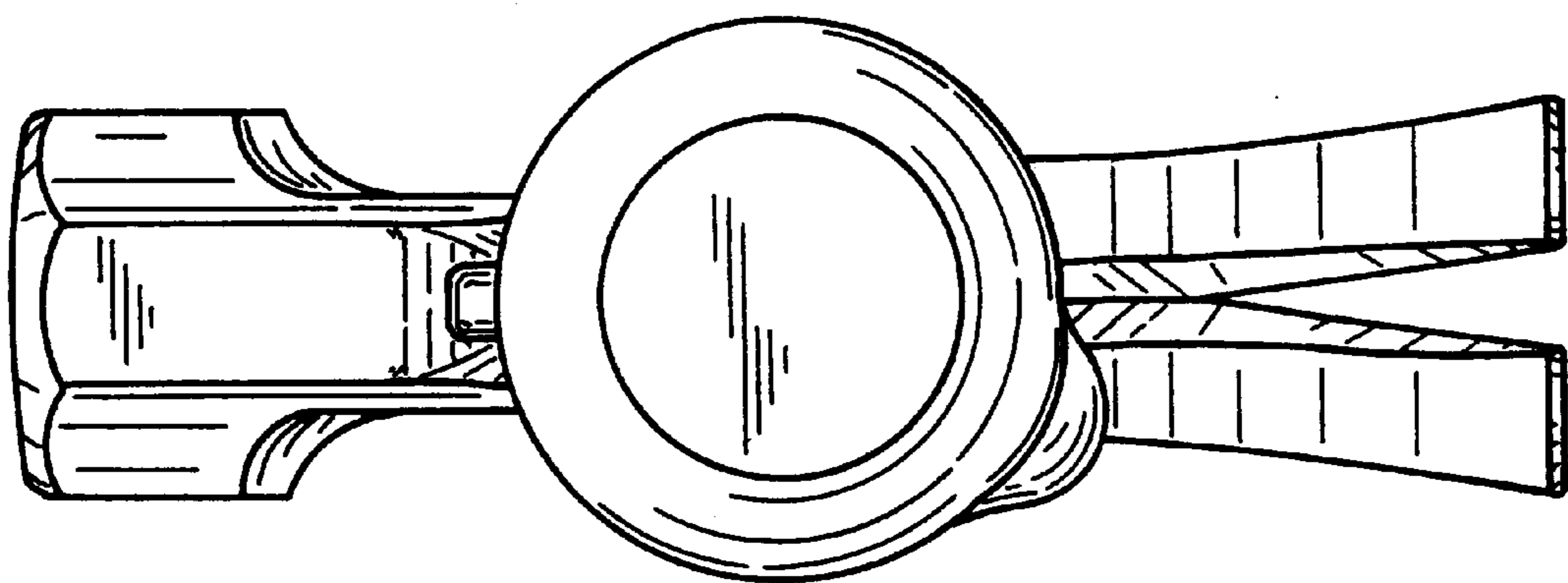


FIG. 12