



US00D420879S

United States Patent [19]

Watson et al.

[11] Patent Number: **Des. 420,879**

[45] Date of Patent: **** Feb. 22, 2000**

[54] **HANDLE GRIP PORTION OF A POWER TOOL**

[75] Inventors: **James B. Watson**, Conyers; **Jae Ho Cha**, Lithonia, both of Ga.

[73] Assignee: **Ryobi North America, Inc.**, Anderson, S.C.

[**] Term: **14 Years**

[21] Appl. No.: **29/092,249**

[22] Filed: **Aug. 14, 1998**

[51] **LOC (7) Cl.** **08-05**

[52] **U.S. Cl.** **D8/70; D8/68**

[58] **Field of Search** D8/61-70; 81/55, 81/57, 57.11, 57.43, 177.1, 177.4, 177.6; 173/169-170, 216-217, 90-93

[56] **References Cited**

U.S. PATENT DOCUMENTS

- D. 180,805 8/1957 Plassman .
- D. 359,215 6/1995 Zurwelle .
- D. 362,167 9/1995 Zurwelle .
- D. 368,214 3/1996 Zurwelle .
- D. 376,969 12/1996 Kazamaki et al. .
- D. 377,302 1/1997 Kazamaki et al. .

- D. 378,268 3/1997 Schultz .
- D. 382,457 8/1997 Ghode et al. .
- D. 382,458 8/1997 Hogue et al. D8/70
- D. 389,384 1/1998 Lui .
- D. 392,530 3/1998 Lui .
- D. 393,194 4/1998 Hogue et al. D8/70
- D. 394,995 6/1998 Cooper .
- D. 395,387 6/1998 Snider .
- D. 396,177 7/1998 Schultz .
- 5,445,479 8/1995 Hillinger .

Primary Examiner—Nelson C. Holtje
Attorney, Agent, or Firm—Brooks & Kushman P.C.

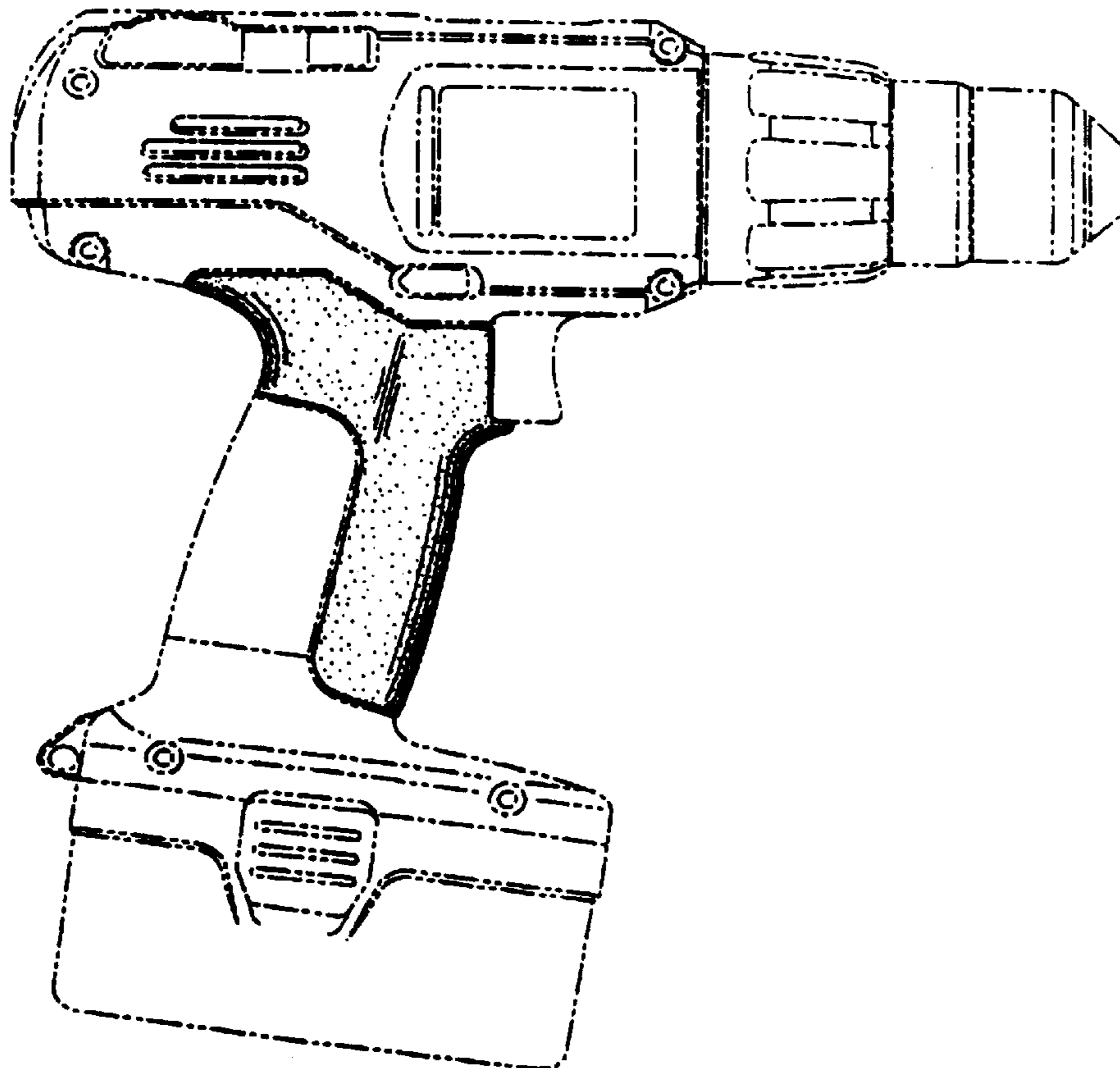
[57] **CLAIM**

The ornamental design for a handle grip portion of a power tool, as shown and described.

DESCRIPTION

FIG. 1 is a right side elevational view of a handle grip portion of a power tool;
FIG. 2 is a left side elevational view;
FIG. 3 is a top plan view;
FIG. 4 is a bottom plan view;
FIG. 5 is a front end elevational view; and,
FIG. 6 is a rear end elevational view.
The broken line showing of a drill is for illustrative purposes only and forms no part of the claimed design.

1 Claim, 2 Drawing Sheets



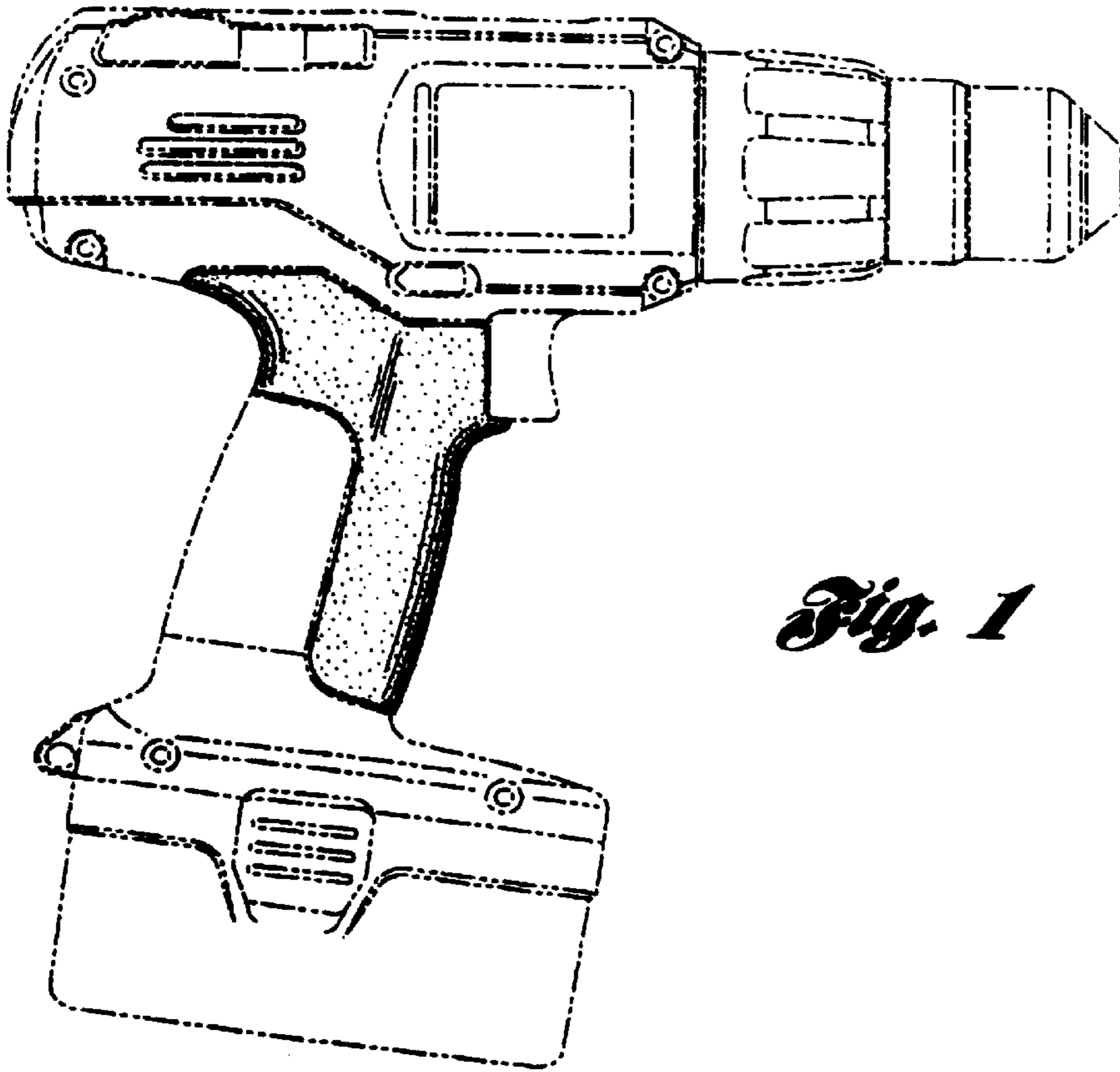


Fig. 1

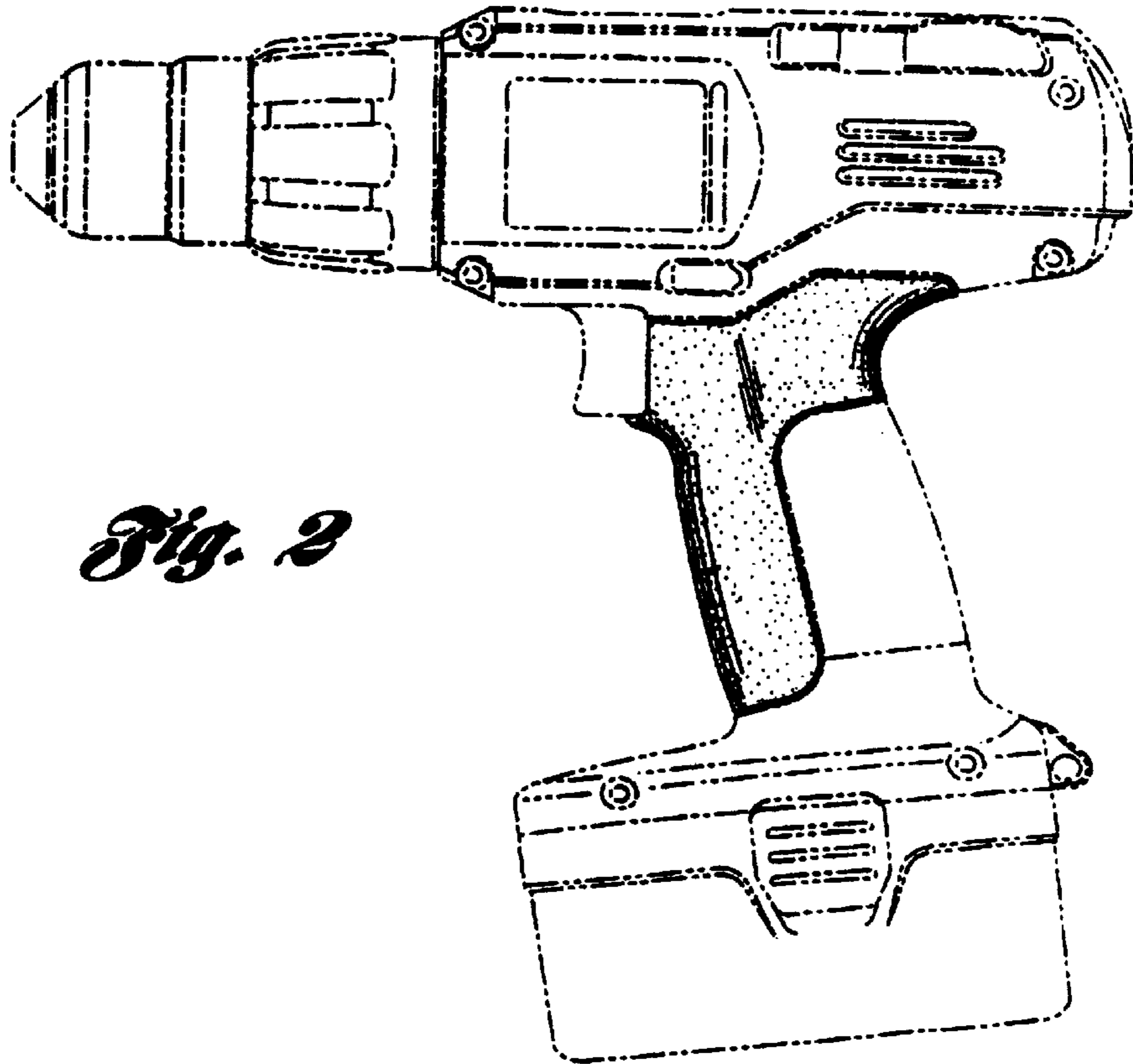


Fig. 2

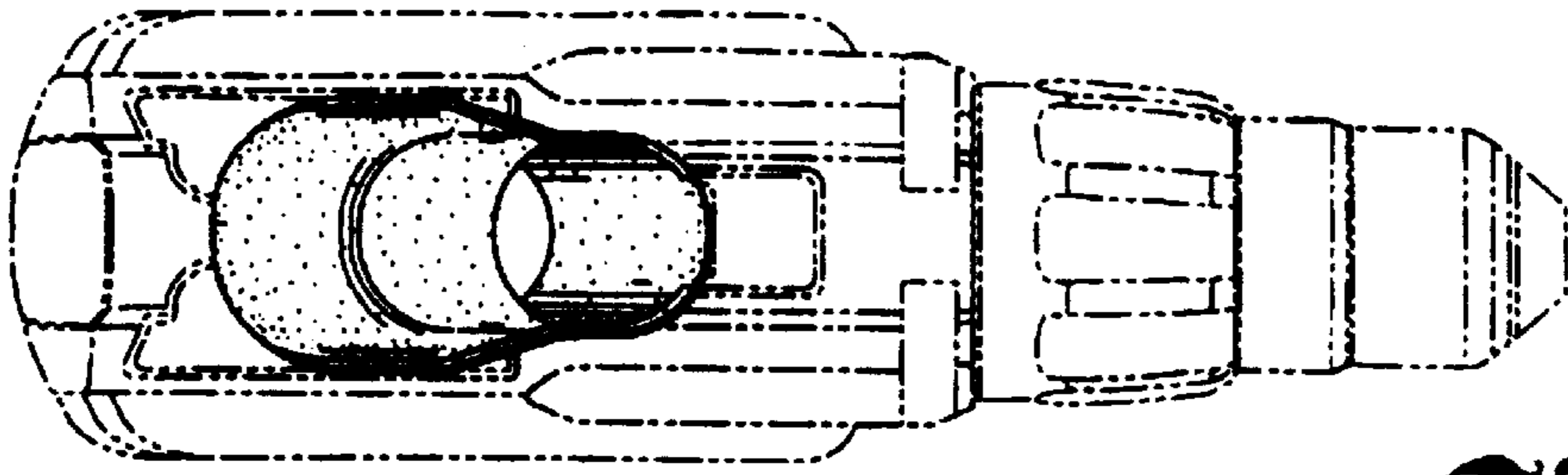


Fig. 3

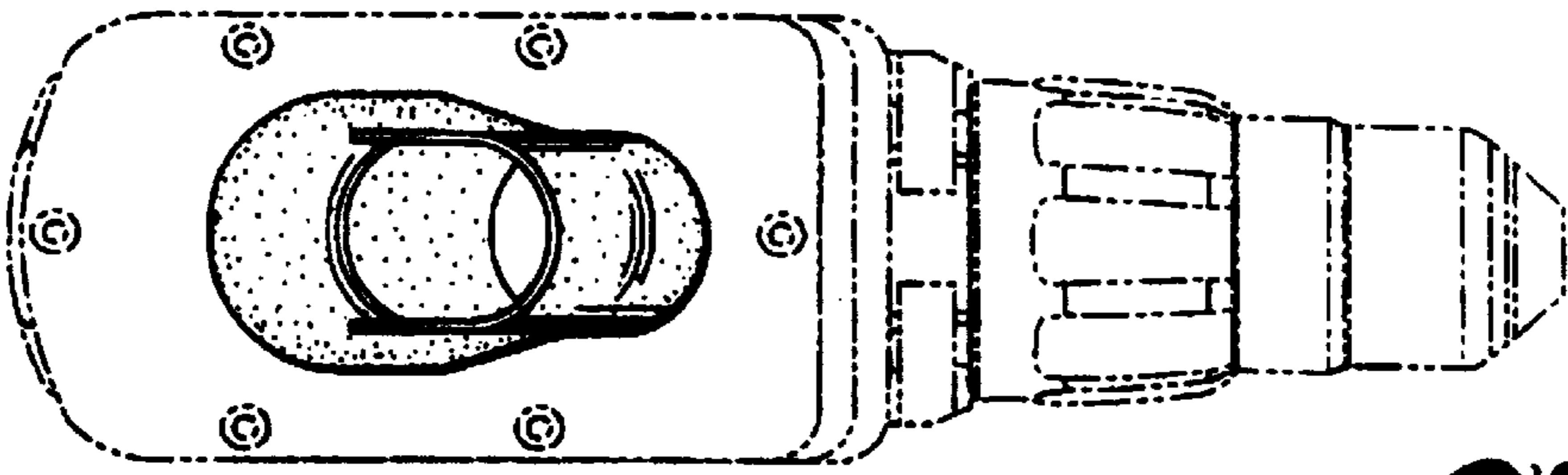


Fig. 4

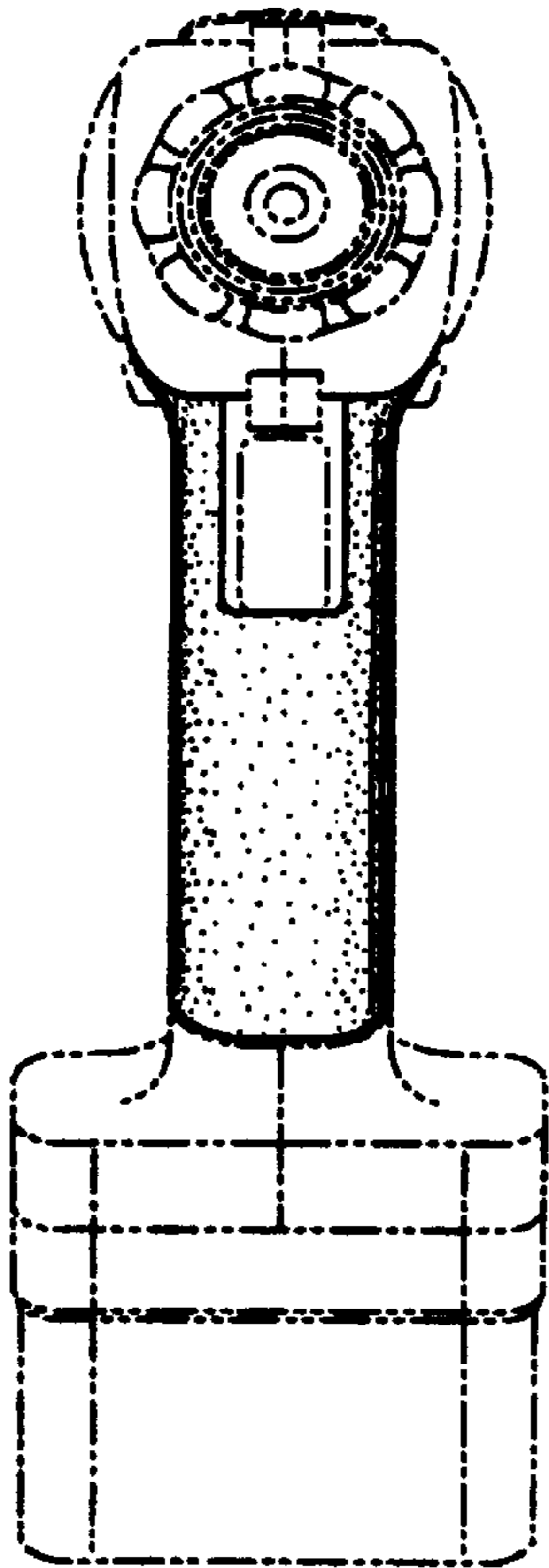


Fig. 5

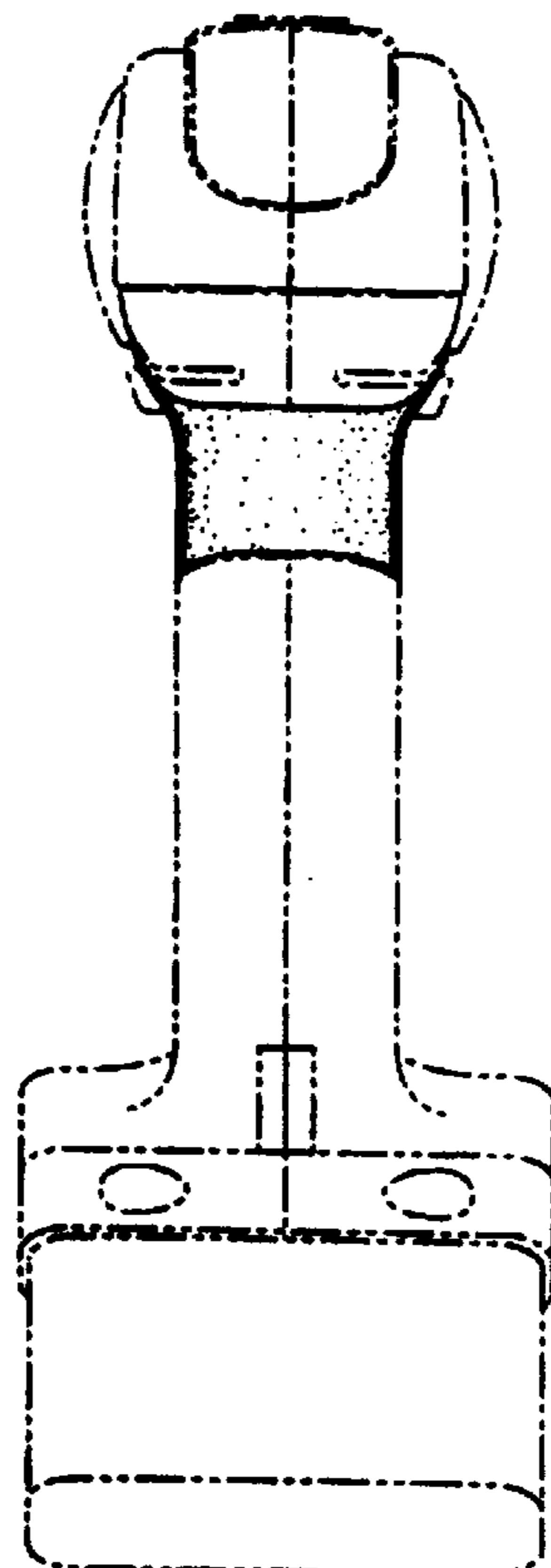


Fig. 6