



US00D420877S

United States Patent [19] Schultz

[11] **Patent Number: Des. 420,877**

[45] **Date of Patent: ** Feb. 22, 2000**

[54] **POWERED HAND-HELD DRILL**

[75] Inventor: **William H. Schultz**, Northbrook, Ill.

[73] Assignee: **S-B PowerTool Corporation**, Chicago, Ill.

[**] Term: **14 Years**

[21] Appl. No.: **29/092,691**

[22] Filed: **Aug. 25, 1998**

[51] **LOC (7) Cl.** **08-03**

[52] **U.S. Cl.** **D8/68**

[58] **Field of Search** D8/68; 74/371;
81/57.11, 57.13, 57.14, 57.43, 177.6, 436,
438; 178/178, 217

Primary Examiner—Antoine Duval Davis

Attorney, Agent, or Firm—Leo H. McCormick, Jr.; Warren Comstock

[57] CLAIM

The ornamental design for a powered hand-held drill, as shown and described.

DESCRIPTION

FIG. 1 is an elevation view of a powered hand-held drill showing my new design;

FIG. 2 is a frontal elevation view thereof; and,

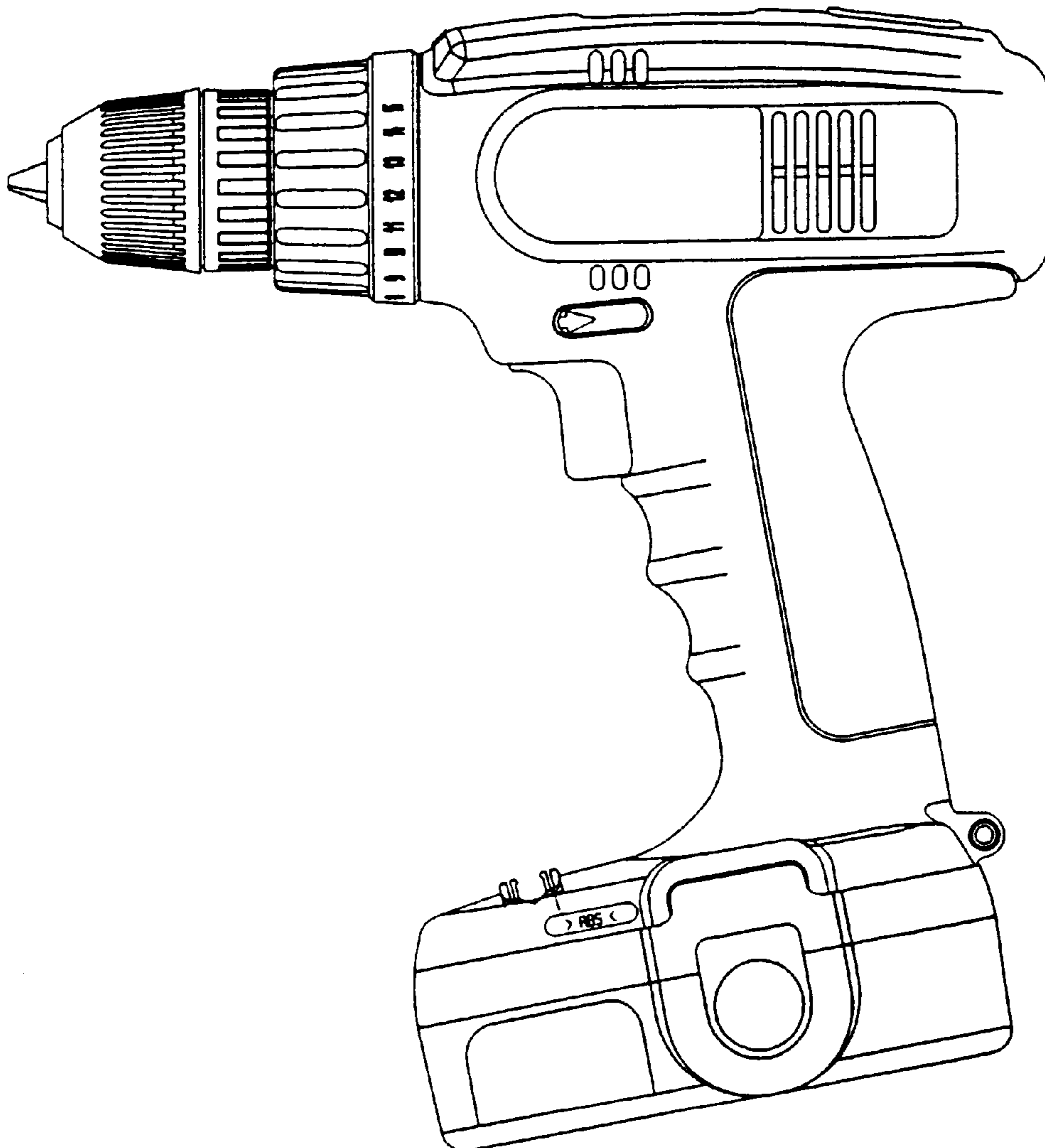
FIG. 3 is a top plan view thereof.

[56] References Cited

U.S. PATENT DOCUMENTS

D. 362,167 9/1995 Zurwelle D8/68

1 Claim, 1 Drawing Sheet



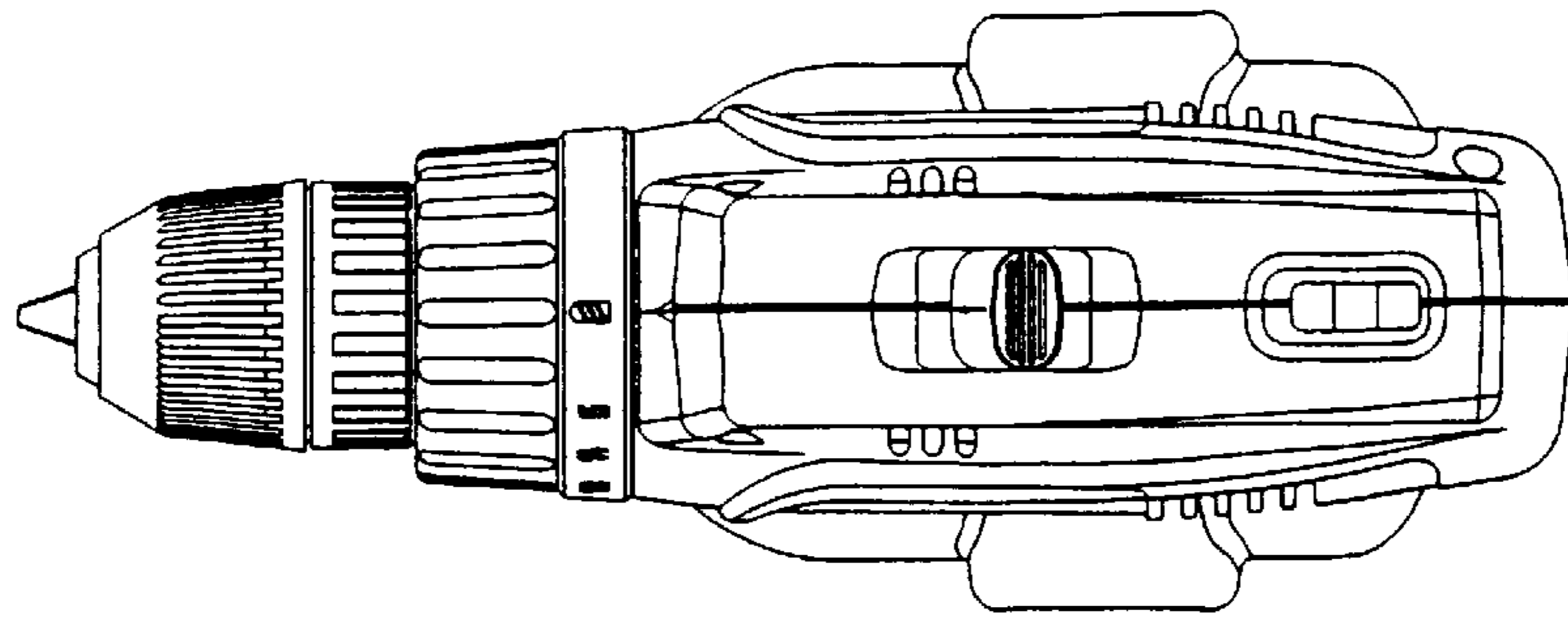


FIG. 3

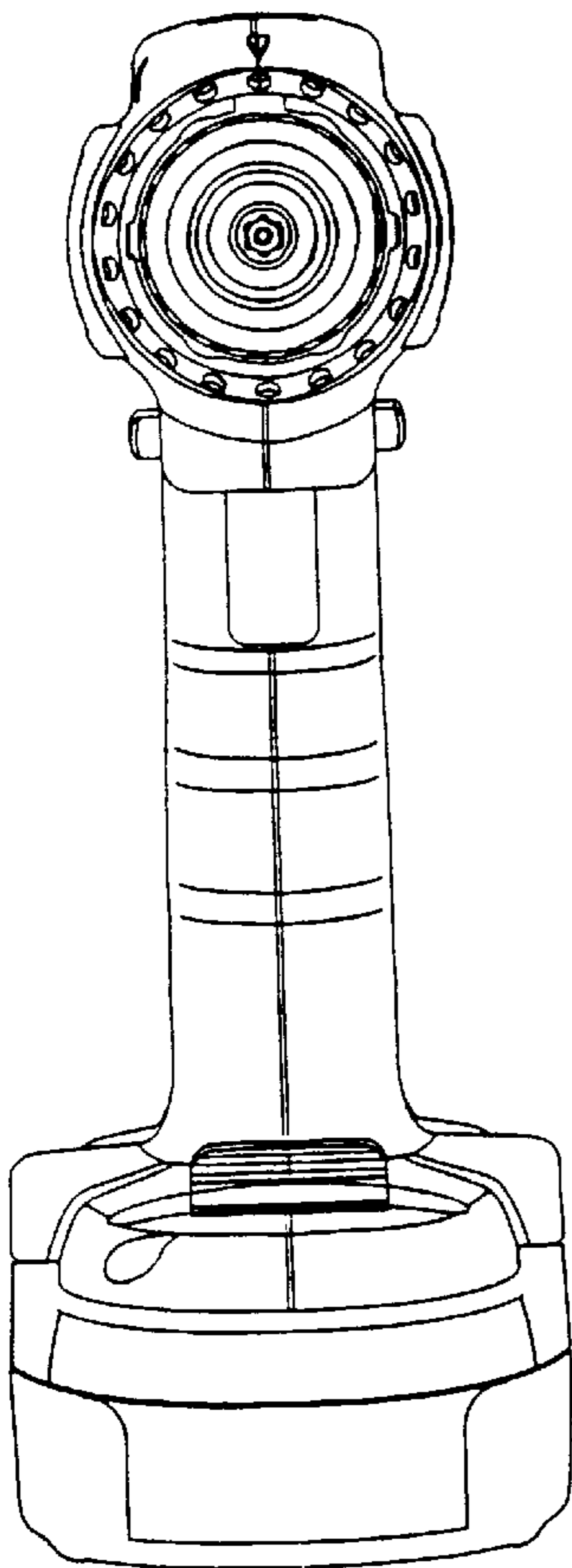


FIG. 2

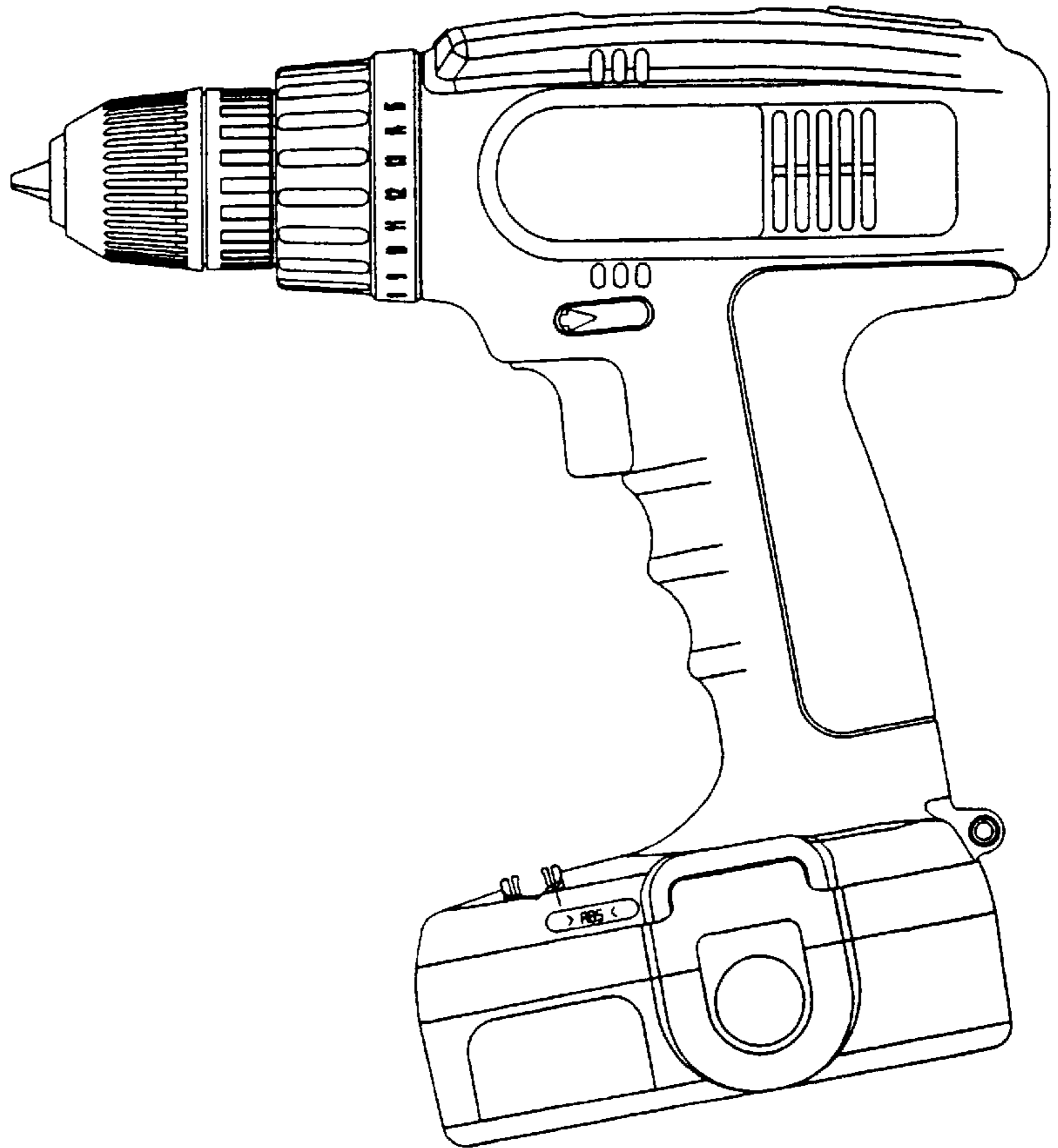


FIG. 1