



US00D420876S

United States Patent [19]

[11] Patent Number: **Des. 420,876**

Bosten et al.

[45] Date of Patent: **** Feb. 22, 2000**

[54] **JIG SAW**

[75] Inventors: **Donald R. Bosten; Mark A. Etter; John Robert Kriaski**, all of Jackson; **Daniel Paxton Wall**, Humboldt, all of Tenn.

[73] Assignee: **Porter-Cable Corporation**, Jackson, Tenn.

[**] Term: **14 Years**

[21] Appl. No.: **29/087,742**

[22] Filed: **May 8, 1998**

[51] **LOC (7) Cl.** **08-03**

[52] **U.S. Cl.** **D8/64; D8/69**

[58] **Field of Search** D8/64, 69; 36/272-273, 36/392-394

1997 Tools on Sale™, A Division of Seven Corners Hardware Inc., St. Paul, MN, p. 123, items Milwaukee 6256, Milwaukee 6266-6, and Milwaukee 6276-6.

1997 Tools on Sale™, A Division of Seven Corners Hardware Inc., St. Paul, MN, p. 124, items Dewalt DW313, Dewalt DW321K, and Dewalt DW318K.

1997 Tools on Sale™, A Division of Seven Corners Hardware Inc., St. Paul, MN, p. 125, items Hitachi CJ65V2K, Hitachi CJ65VA2K, and Makita 4301BV.

1997 Tools on Sale™, A Division of Seven Corners Hardware Inc., St. Paul, MN, p. 126, items Black & Decker 3153, Black & Decker 3157, Black & Decker 3159.

Primary Examiner—Nelson C. Holtje
Attorney, Agent, or Firm—Merchant & Gould P.C.

[57] CLAIM

The ornamental design for a jig saw, as shown and described.

[56] References Cited

U.S. PATENT DOCUMENTS

| | | | |
|------------|---------|-----------------------|--------|
| D. 329,005 | 9/1992 | Hoshino et al. | D8/69 |
| D. 339,276 | 9/1993 | Matsuoka et al. | D8/64 |
| D. 410,183 | 5/1999 | Thompson | D8/64 |
| 3,204,470 | 9/1965 | Brucker | 30/392 |
| 5,035,059 | 7/1991 | Takahashi et al. | 30/392 |
| 5,819,421 | 10/1998 | Giacometti | 30/392 |

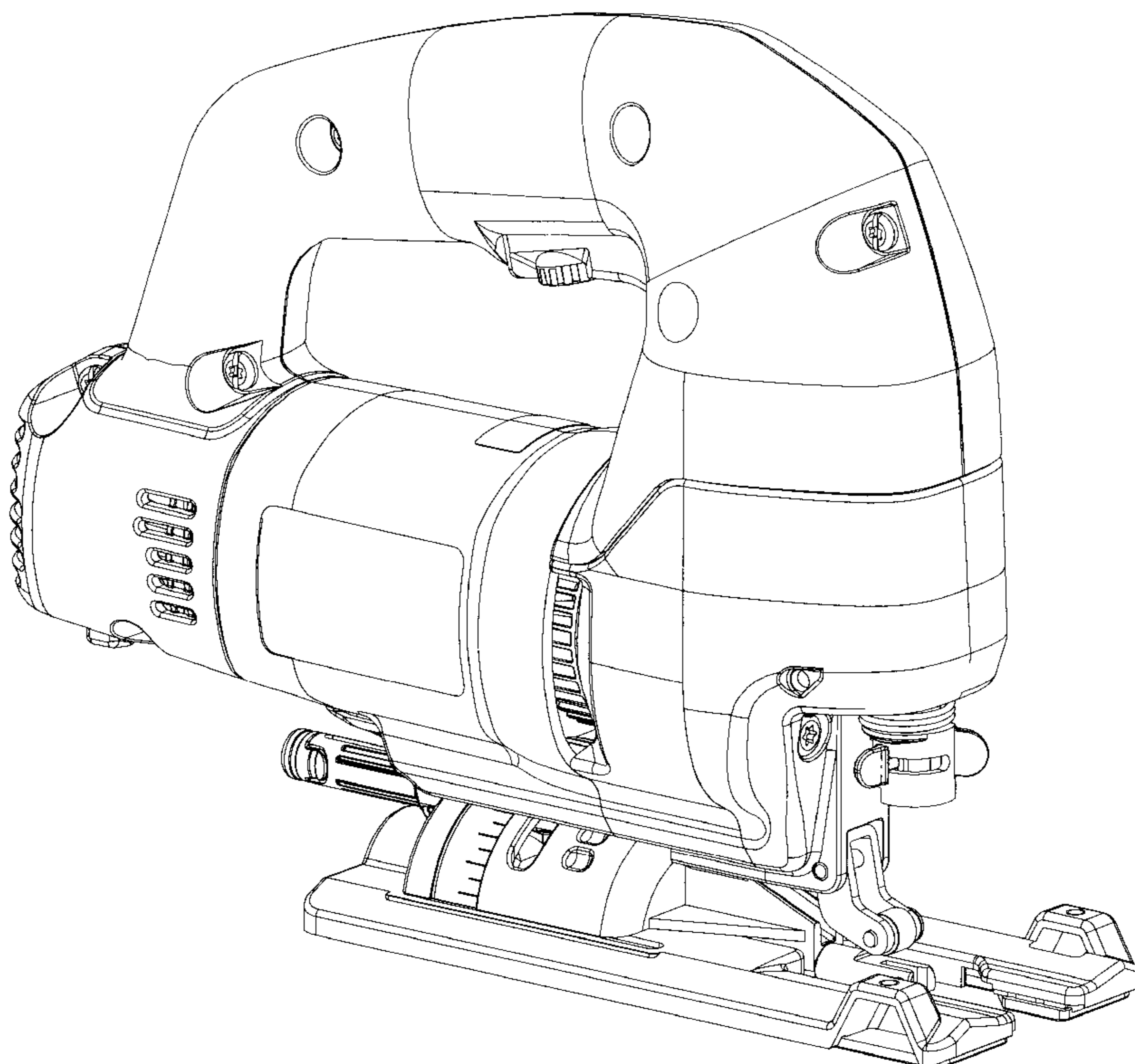
OTHER PUBLICATIONS

1997 Tools on Sale™, A Division of Seven Corners Hardware Inc., St. Paul, MN, p. 122, items Bosch 1587VS, Bosch 1584VS, and Bosch 1587VSKB.

DESCRIPTION

FIG. 1 is a front and top left side perspective view of a jig saw showing our new design; FIG. 2 is a rear and bottom right side perspective view; FIG. 3 is a front elevational view; FIG. 4 is a rear elevational view; FIG. 5 is a top plan view; FIG. 6 is a bottom plan view; FIG. 7 is a right side elevational view; and, FIG. 8 is a left side elevational view.

1 Claim, 6 Drawing Sheets



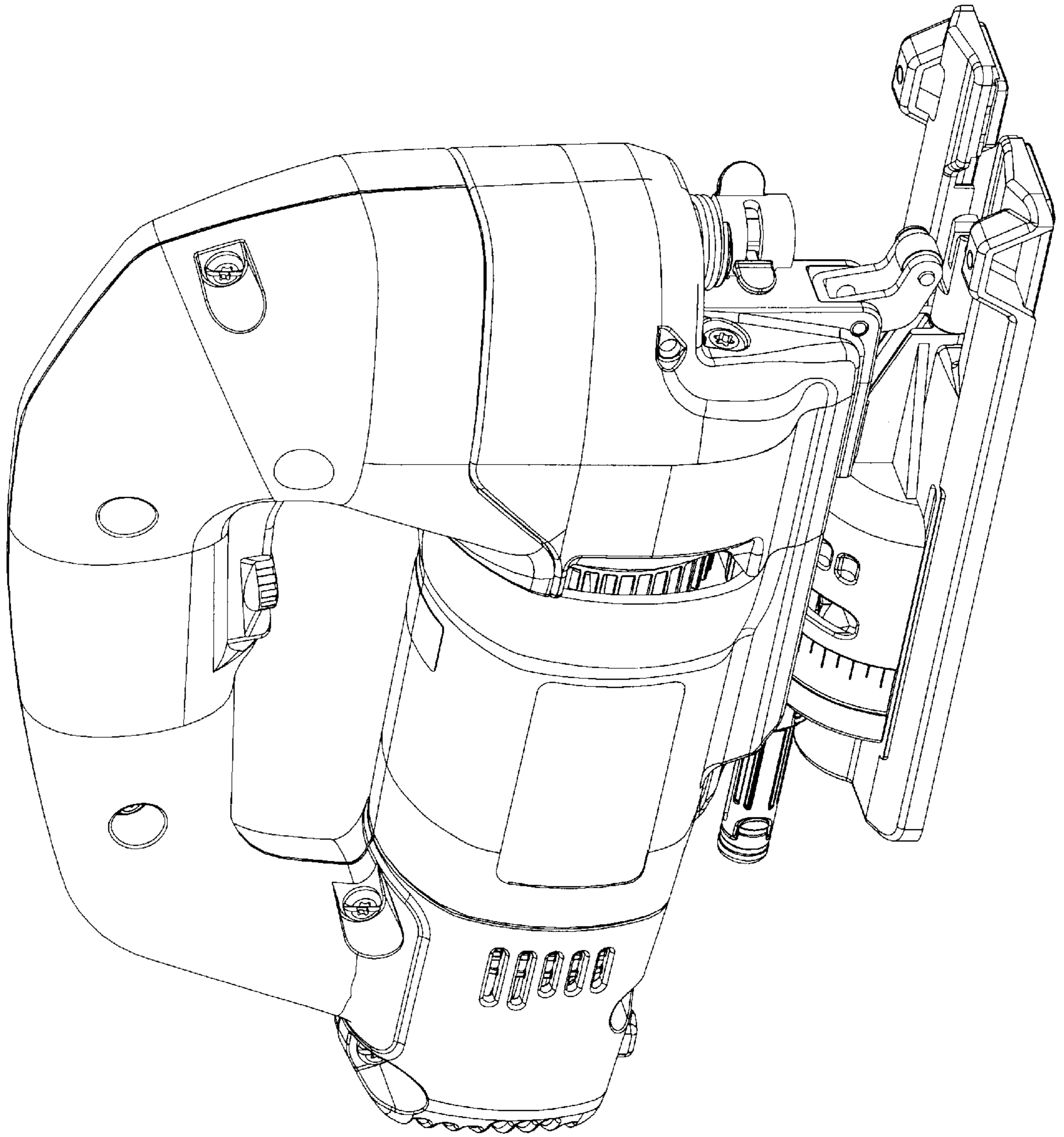


FIG. 1

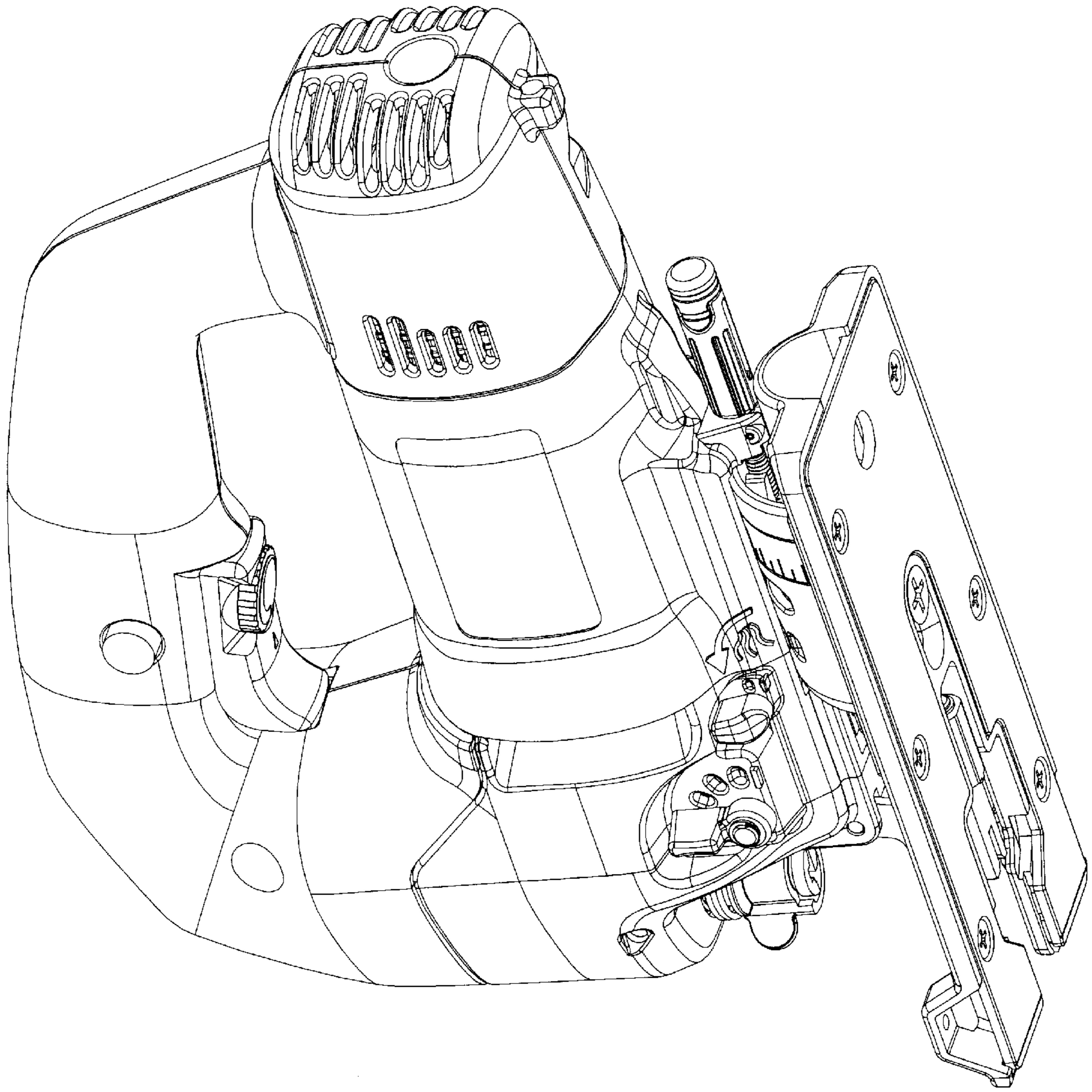


FIG. 2

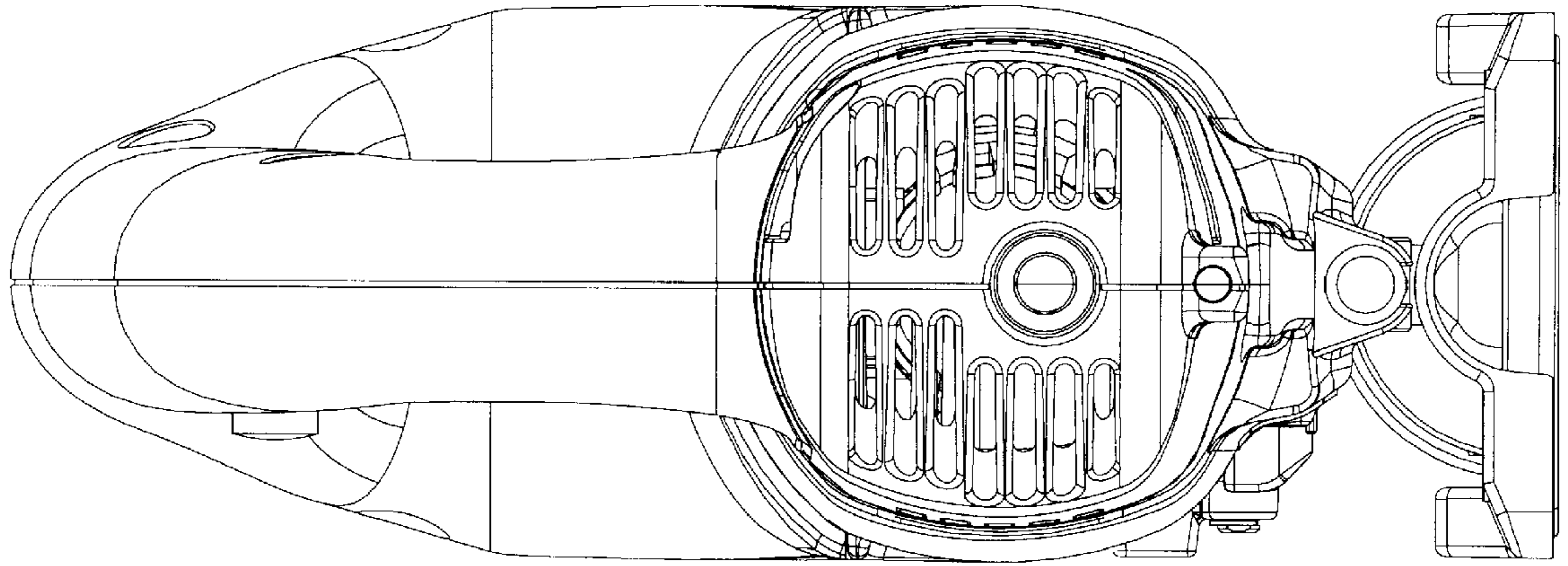


FIG. 4

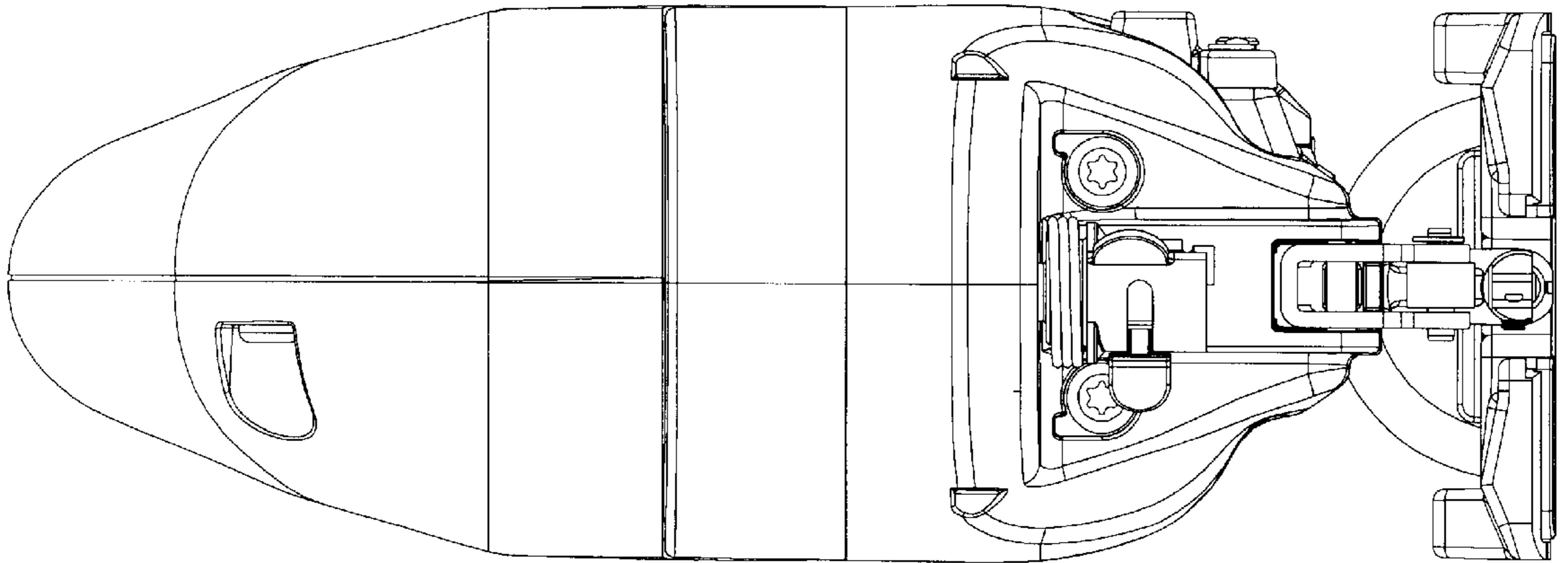


FIG. 3

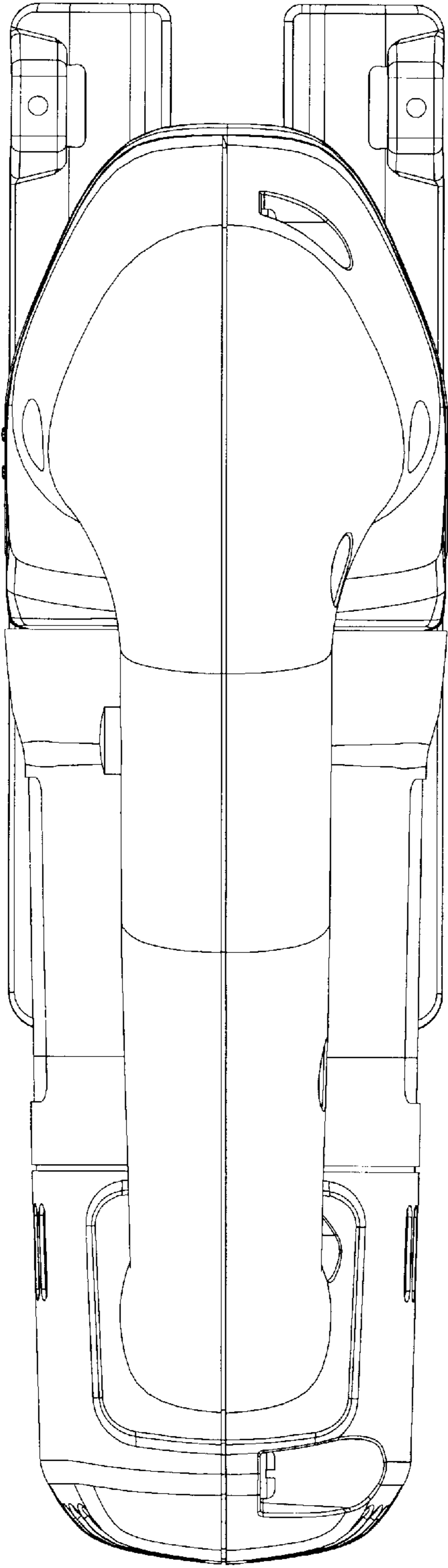


FIG. 5

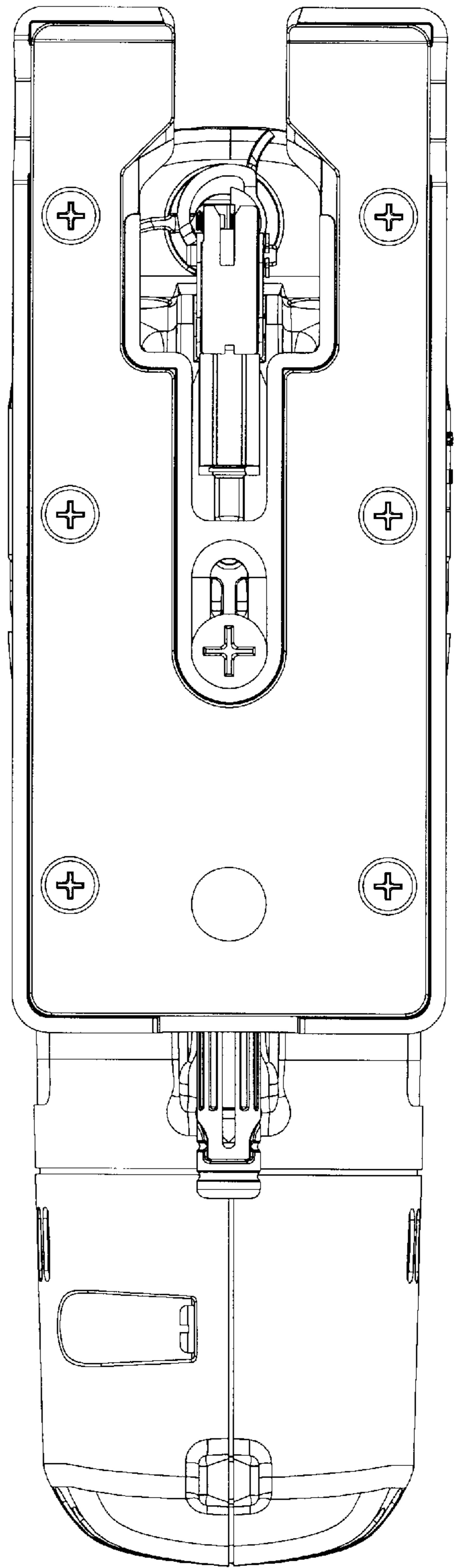


FIG. 6

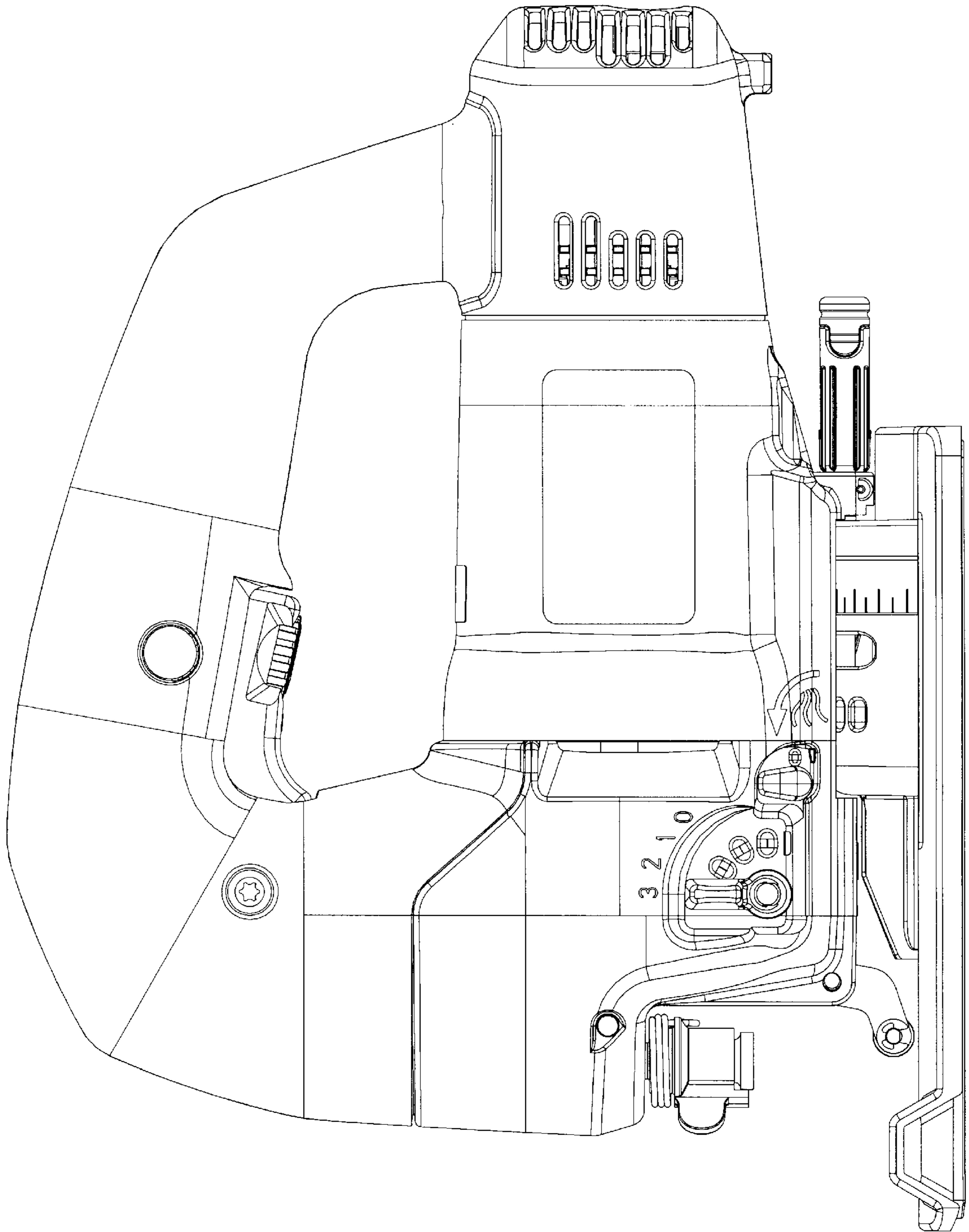


FIG. 7

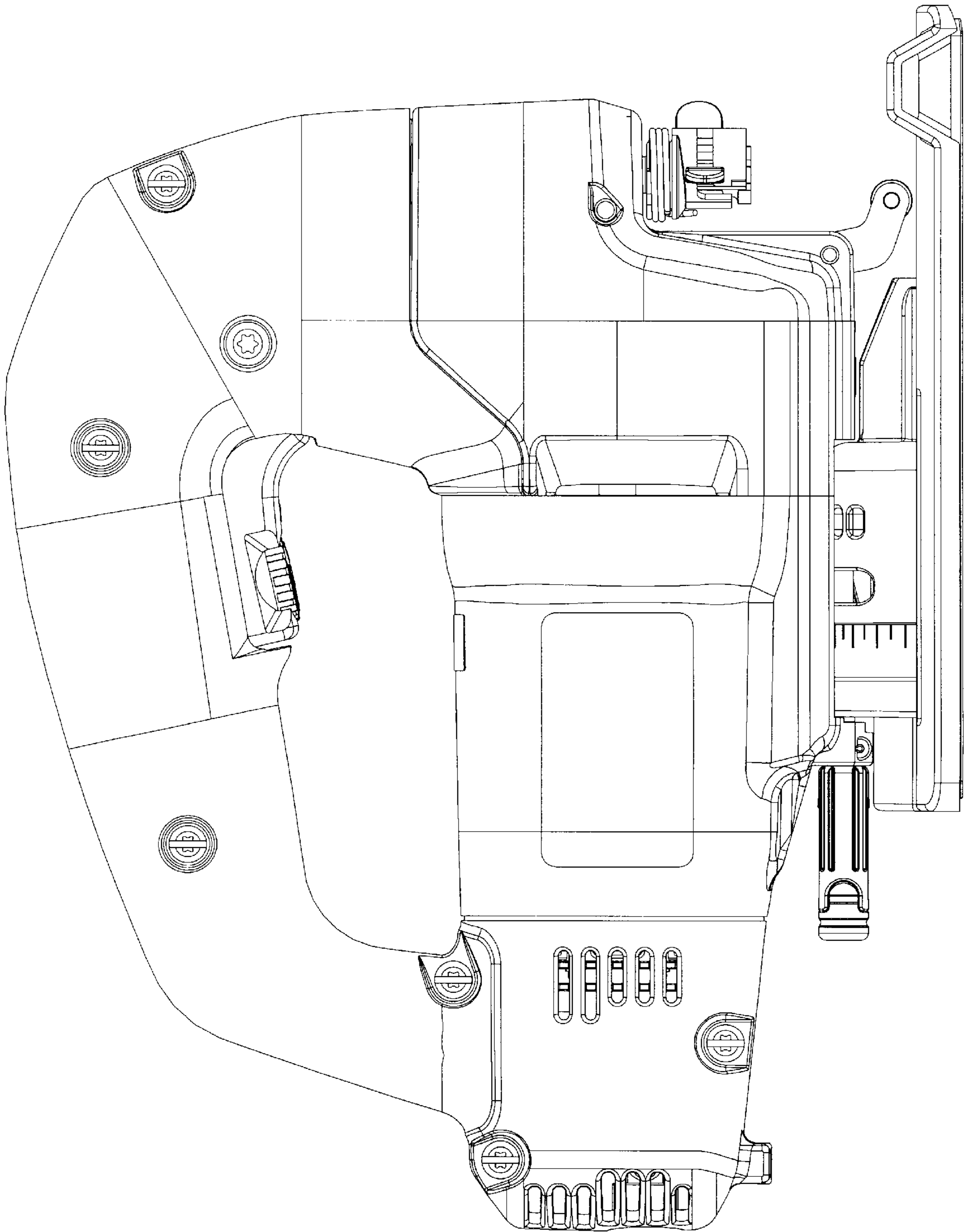


FIG. 8