



US00D420875S

United States Patent [19]

Okitsu et al.

[11] Patent Number: **Des. 420,875**

[45] Date of Patent: **** Feb. 22, 2000**

[54] **BELT SANDER**

[75] Inventors: **Yasushi Okitsu; Yujiro Motomizu,**
both of Tokyo, Japan

[73] Assignee: **Ryobi Ltd.,** Hiroshima-ken, Japan

[**] Term: **14 Years**

[21] Appl. No.: **29/097,433**

[22] Filed: **Dec. 7, 1998**

[30] **Foreign Application Priority Data**

Aug. 7, 1998 [JP] Japan 10-22870

[51] **LOC (7) Cl.** **08-01**

[52] **U.S. Cl.** **D8/62**

[58] **Field of Search** D8/61-62, 69-70;
451/355, 296-299

[56] **References Cited**

U.S. PATENT DOCUMENTS

- D. 176,001 11/1955 Bentley D8/62
- D. 200,865 4/1965 Landell D8/62
- D. 205,080 6/1966 Averitt D8/62

- D. 286,737 11/1986 House, II et al. D8/62
- 2,774,198 12/1956 Emmons .
- 3,029,568 4/1962 Lubas .
- 3,359,689 12/1967 McCarty .
- 3,474,575 10/1969 Beckering .
- 3,497,336 2/1970 Buschman .

Primary Examiner—Nelson C. Holtje
Attorney, Agent, or Firm—Nikaido, Marmelstein, Murray & Oram LLP

[57] **CLAIM**

The ornamental design for a belt sander, as shown and described.

DESCRIPTION

FIG. 1 is a perspective view of a belt sander, showing our new design;
FIG. 2 is a front view thereof;
FIG. 3 is a rear view thereof;
FIG. 4 is a top plan view thereof;
FIG. 5 is a bottom plan view thereof;
FIG. 6 is a left side view thereof; and,
FIG. 7 is a right side view thereof.

1 Claim, 6 Drawing Sheets

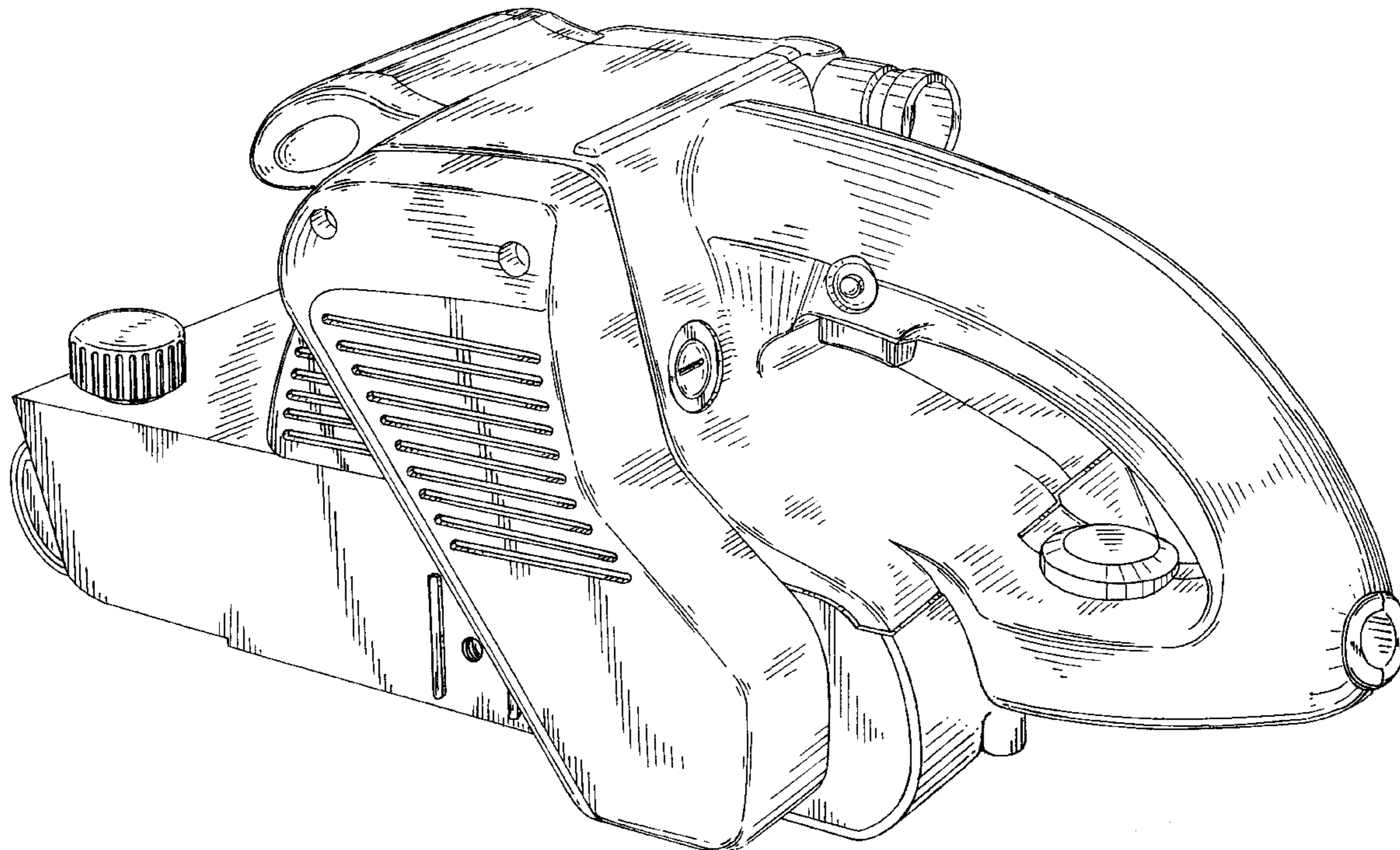


FIG. 1

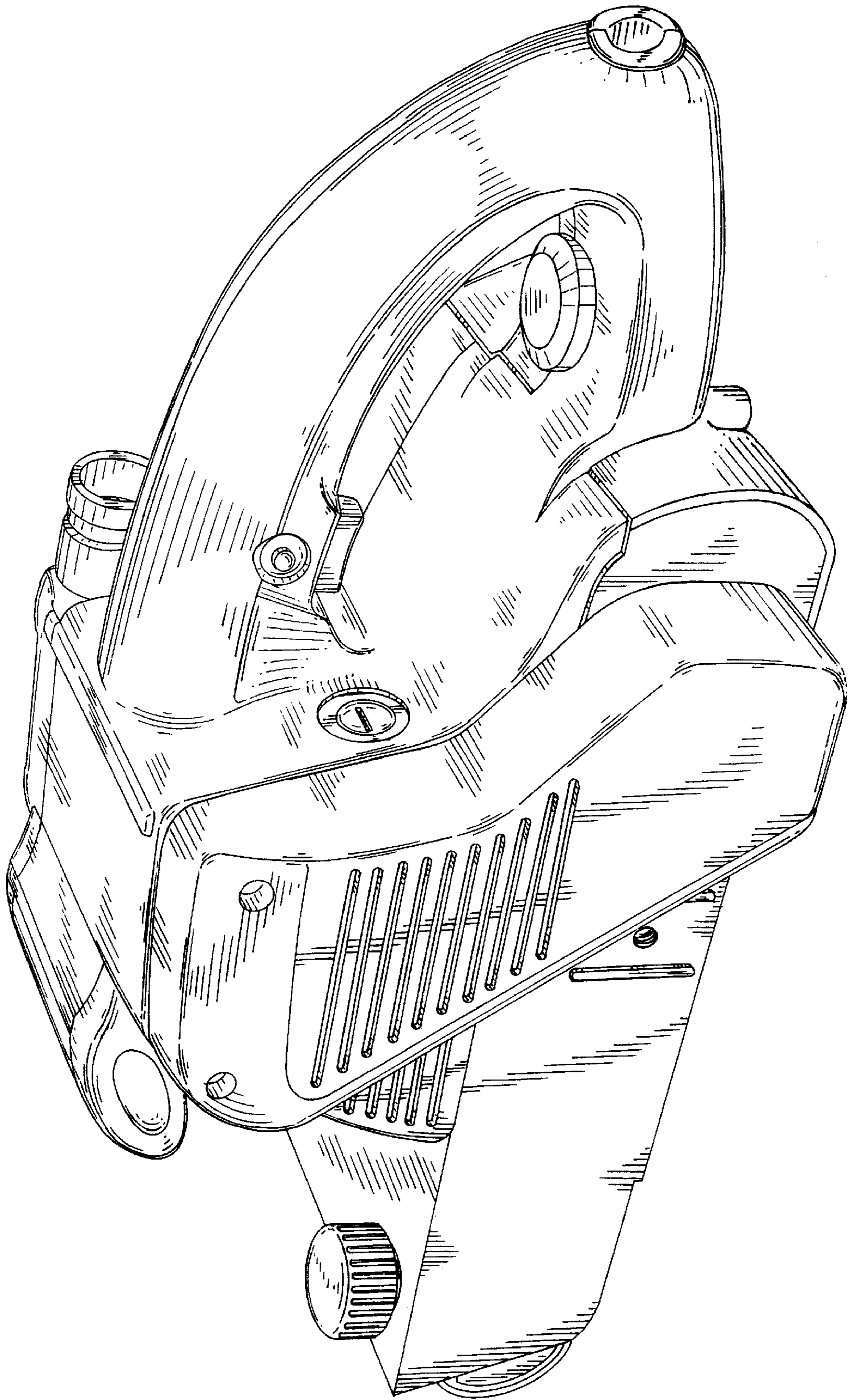


FIG. 2

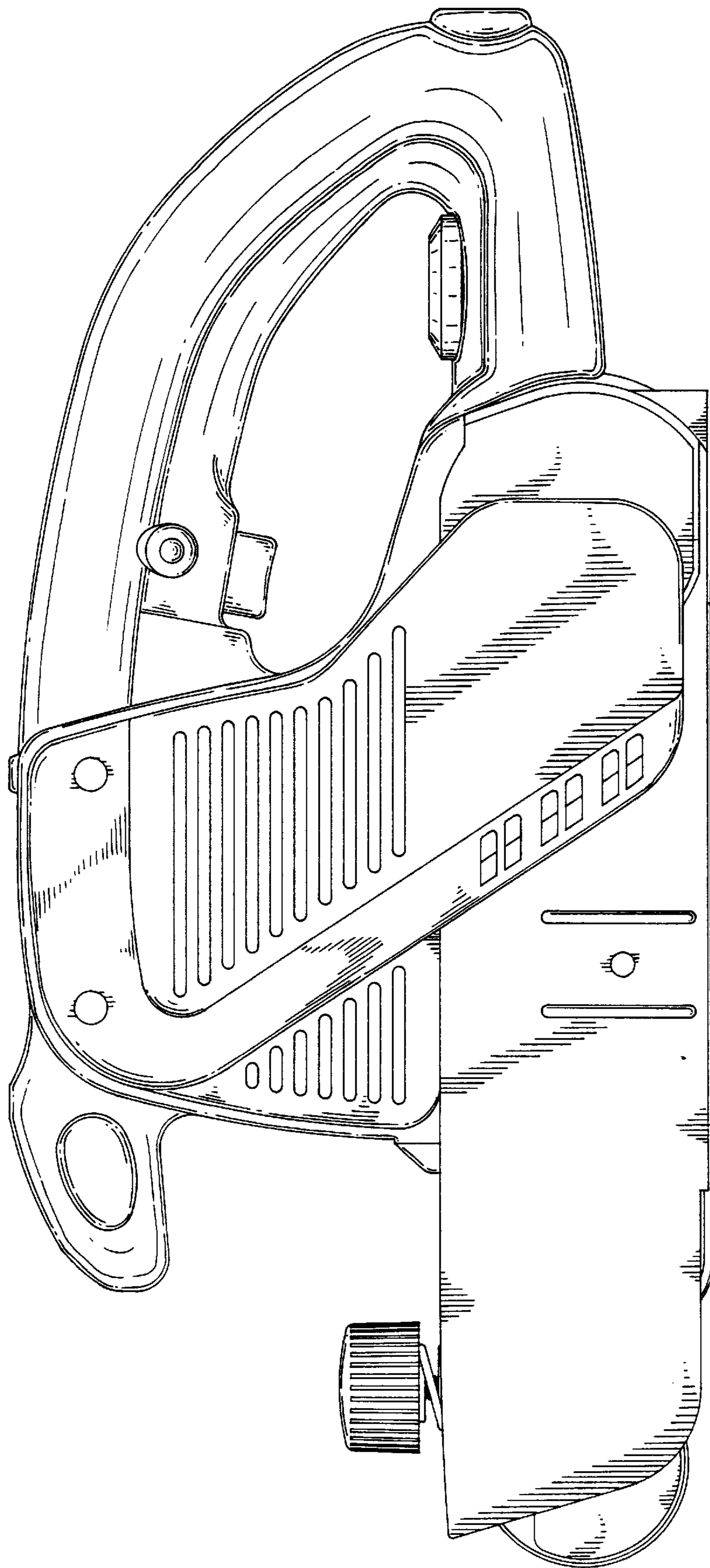


FIG. 3

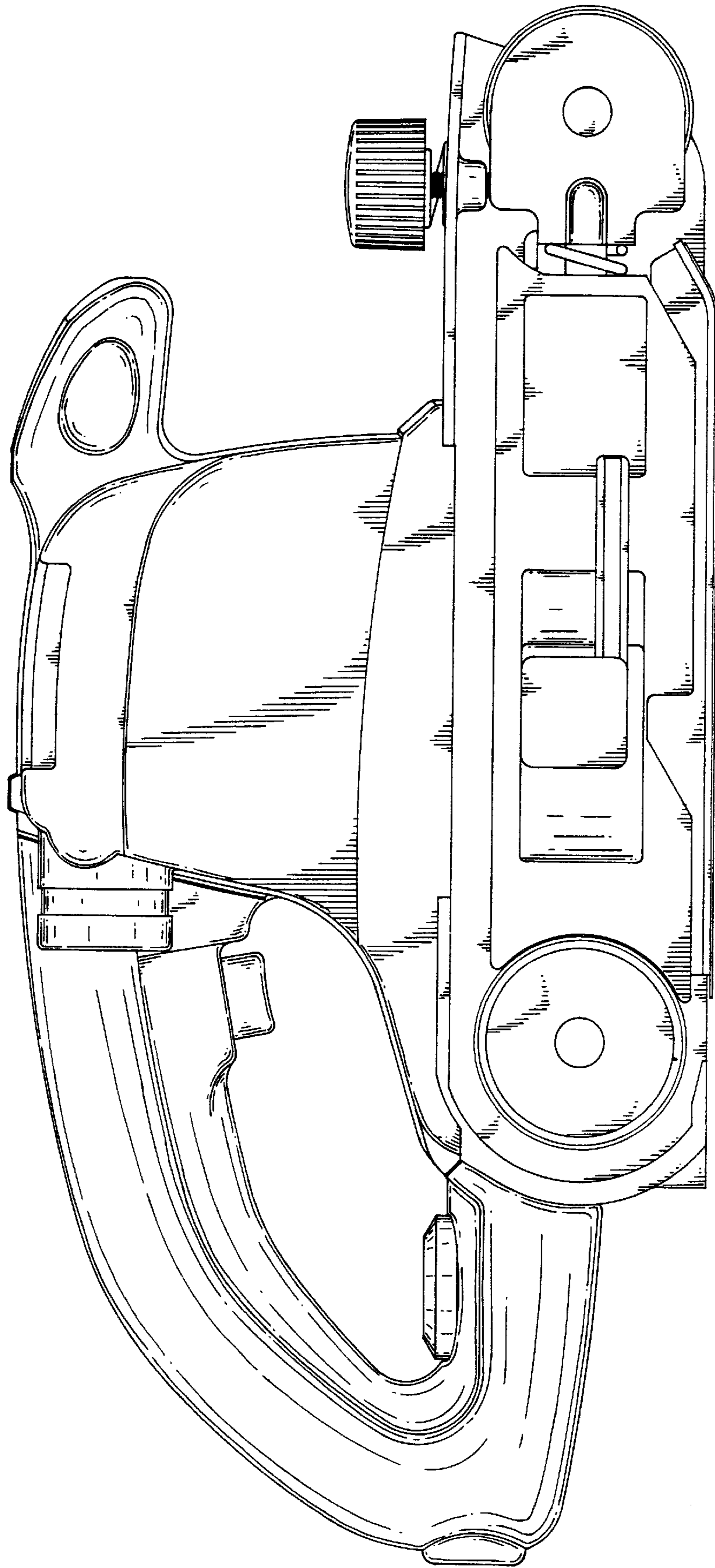


FIG. 4

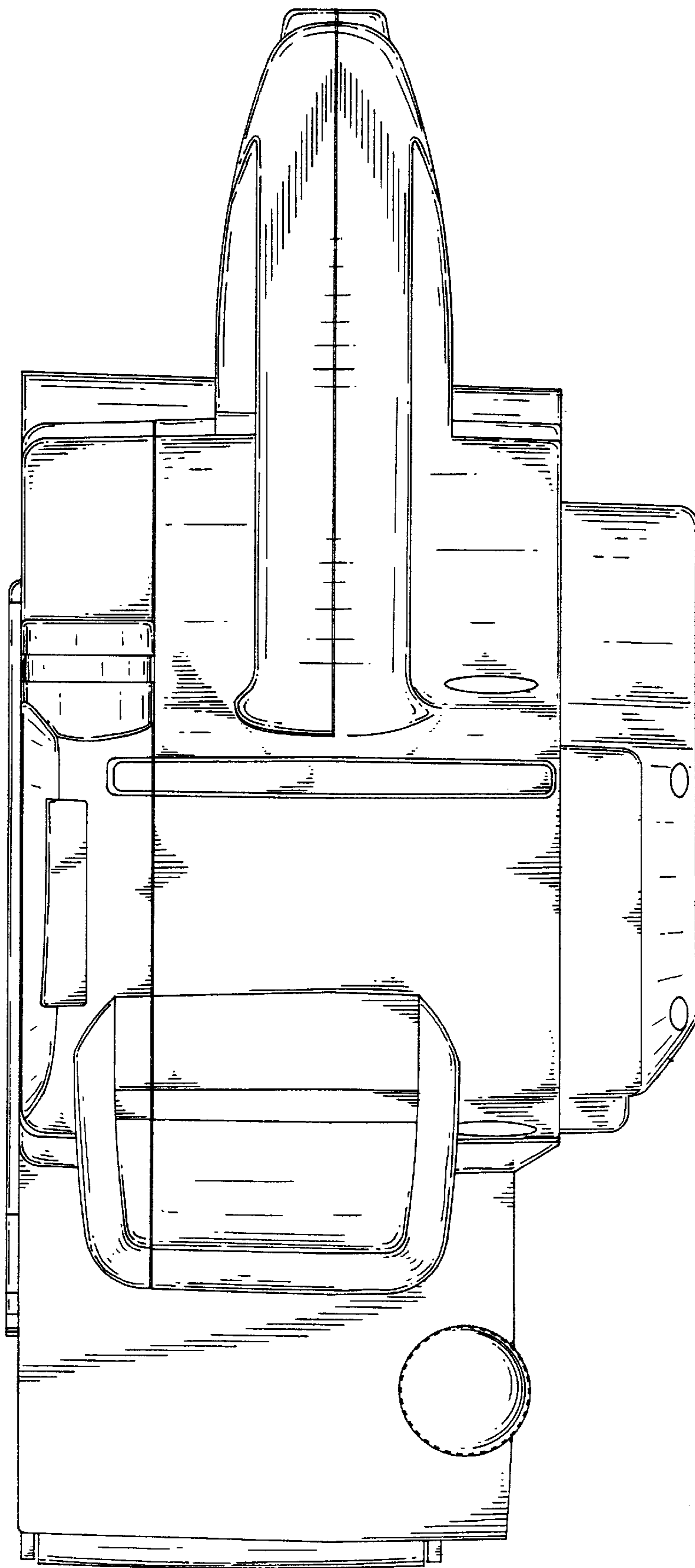


FIG. 5

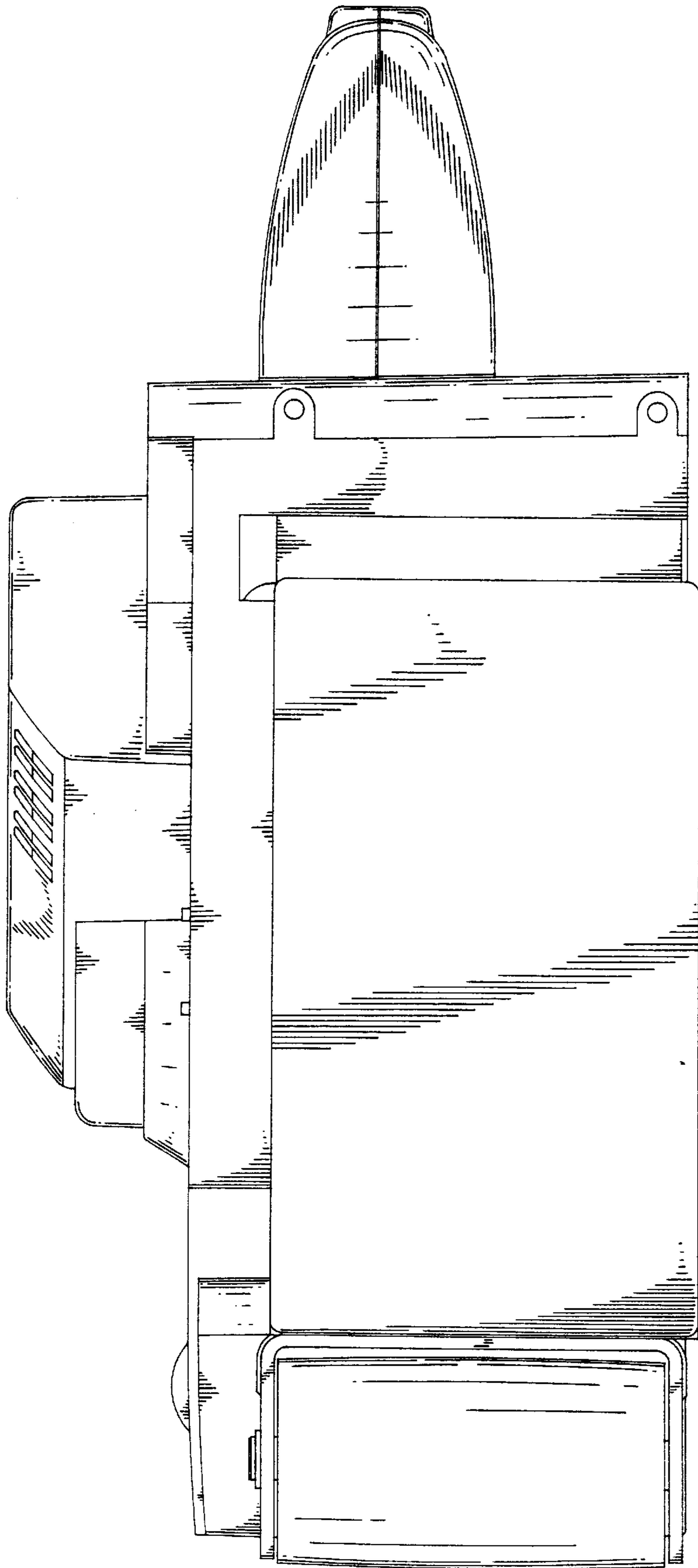


FIG. 7

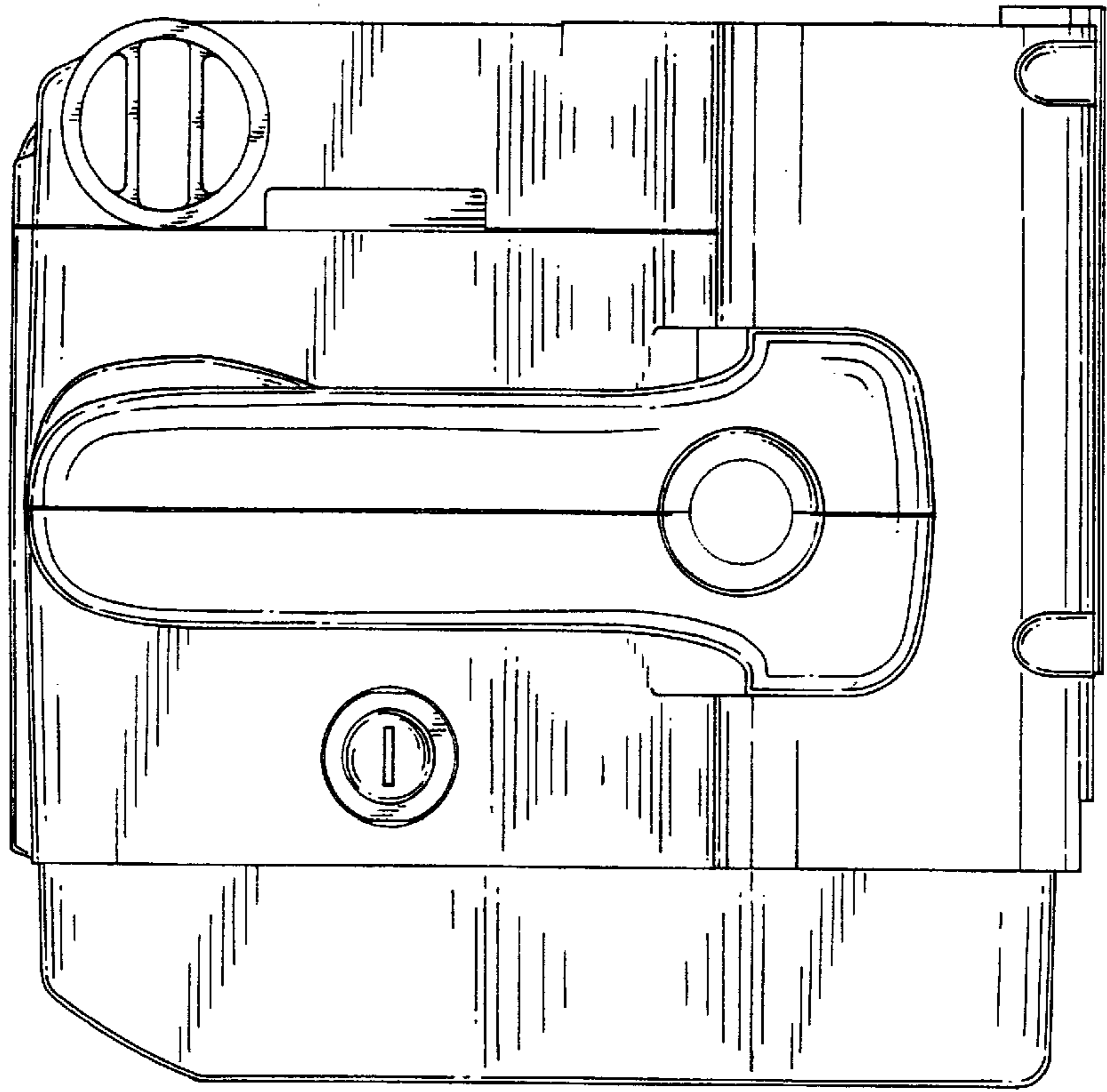


FIG. 6

