



US00D420874S

# United States Patent [19]

[11] **Patent Number: Des. 420,874**

**Berg et al.**

[45] **Date of Patent: \*\* Feb. 22, 2000**

[54] **JAWS FOR PLIERS**

[75] Inventors: **Howard G. Berg**, Gresham; **Timothy S. Leatherman**, Portland, both of Oreg.

[73] Assignee: **Leatherman Tool Group, Inc.**, Portland, Oreg.

[\*\*] Term: **14 Years**

[21] Appl. No.: **29/099,899**

[22] Filed: **Jan. 29, 1999**

[51] **LOC (7) Cl.** ..... **08-05**

[52] **U.S. Cl.** ..... **D8/52**

[58] **Field of Search** ..... D8/51, 52, 55, D8/58, 105; 81/385, 405, 407, 408, 409, 411, 415, 416, 417, 418, 427.5; 7/125

[56] **References Cited**

**U.S. PATENT DOCUMENTS**

D. 367,807	3/1996	Hung	.....	D8/55
D. 410,833	6/1999	Hasegawa	.....	D8/55
4,044,413	4/1977	Tucker	.....	7/3
5,503,049	4/1996	Chervenak et al.	.....	81/427

*Primary Examiner*—Alan P. Douglas  
*Assistant Examiner*—Reid Hecker  
*Attorney, Agent, or Firm*—Chernoff, Vilhauer, McClung & Stenzel. LLP

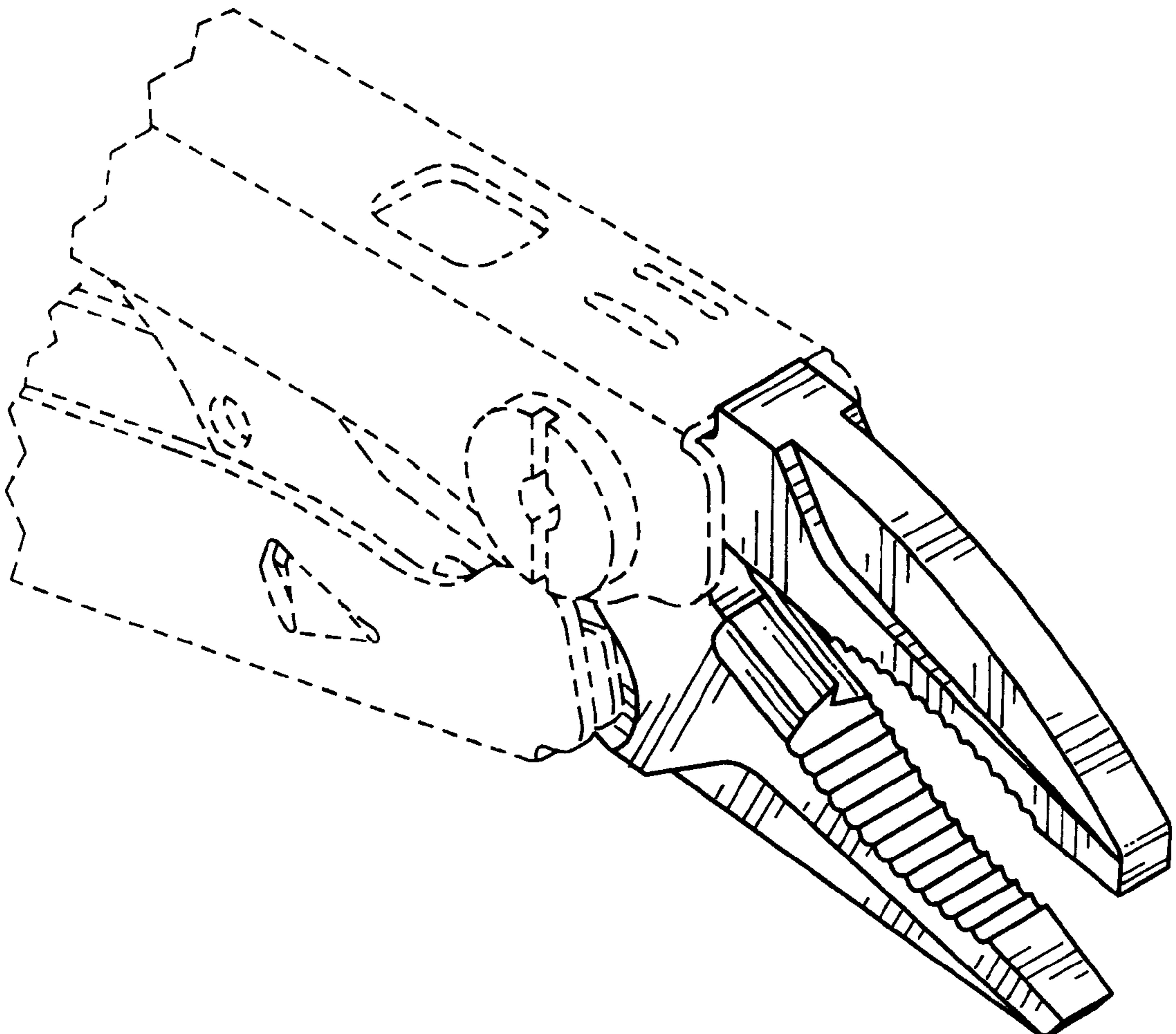
[57] **CLAIM**

The ornamental design for jaws for pliers, as shown and described.

**DESCRIPTION**

FIG. 1 is an isometric view from the upper right front of a pair of jaws for pliers showing our new design, in a partly open position, wherein the broken line illustration of a pair of handles is included for illustrative purposes and forms no part of the claimed design;  
FIG. 2 is a top plan view of the jaws for pliers shown in FIG. 1;  
FIG. 3 is a right side elevational view of a pair of jaws for pliers showing my new design, in a closed position;  
FIG. 4 is a bottom plan view thereof;  
FIG. 5 is a front end elevational view thereof;  
FIG. 6 is a left side elevational view thereof; and,  
FIG. 7 is a rear end elevational view thereof.

**1 Claim, 1 Drawing Sheet**



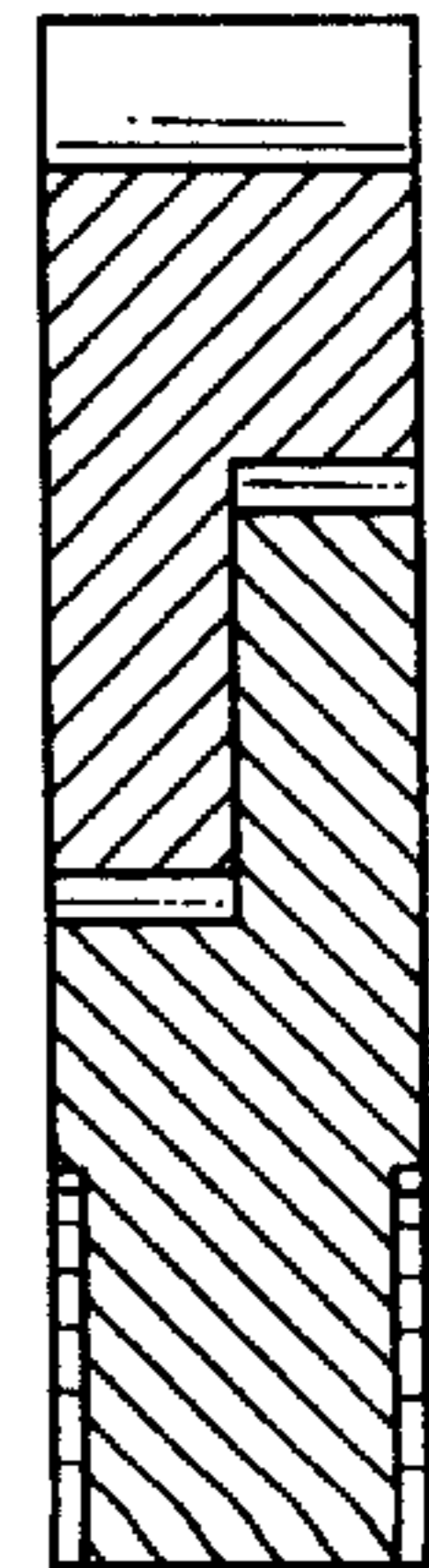
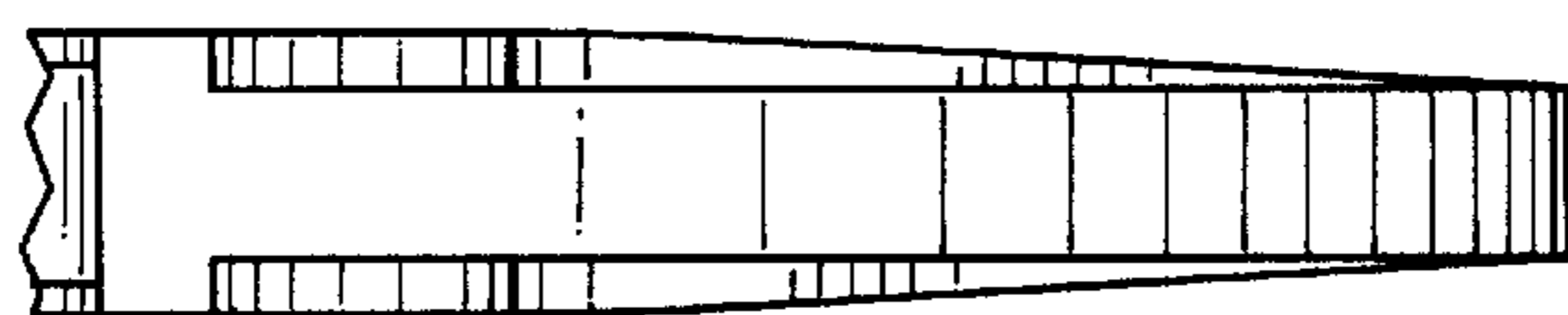
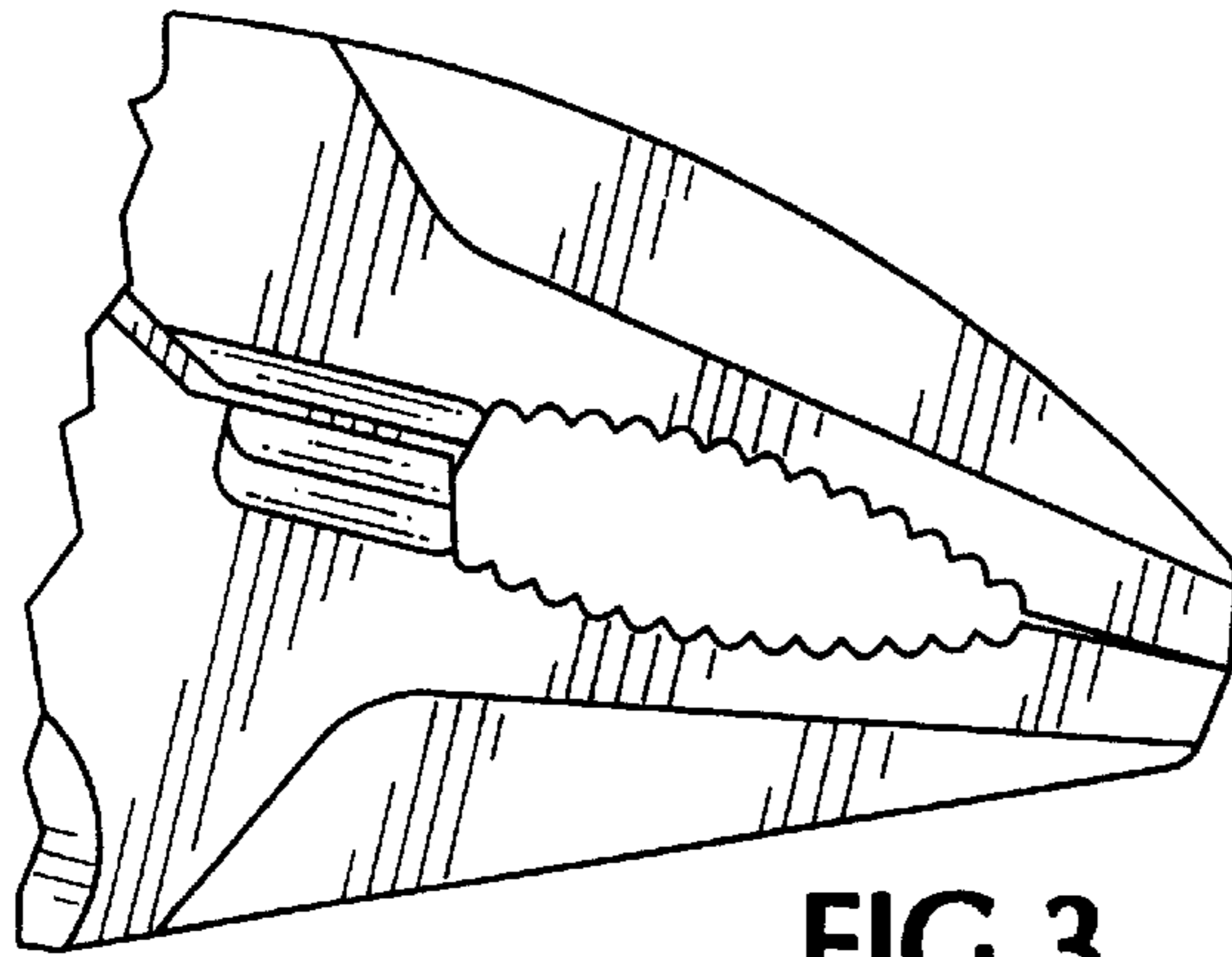
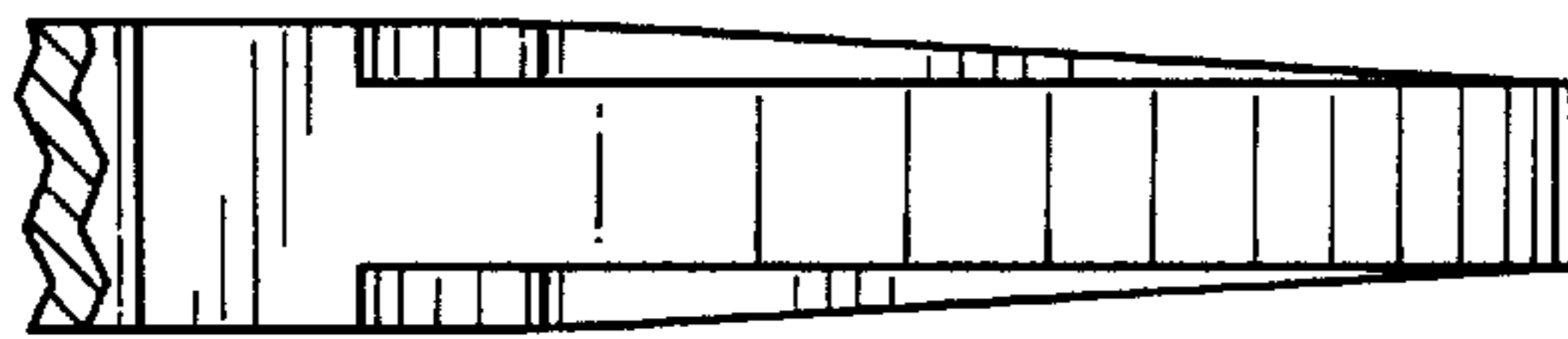
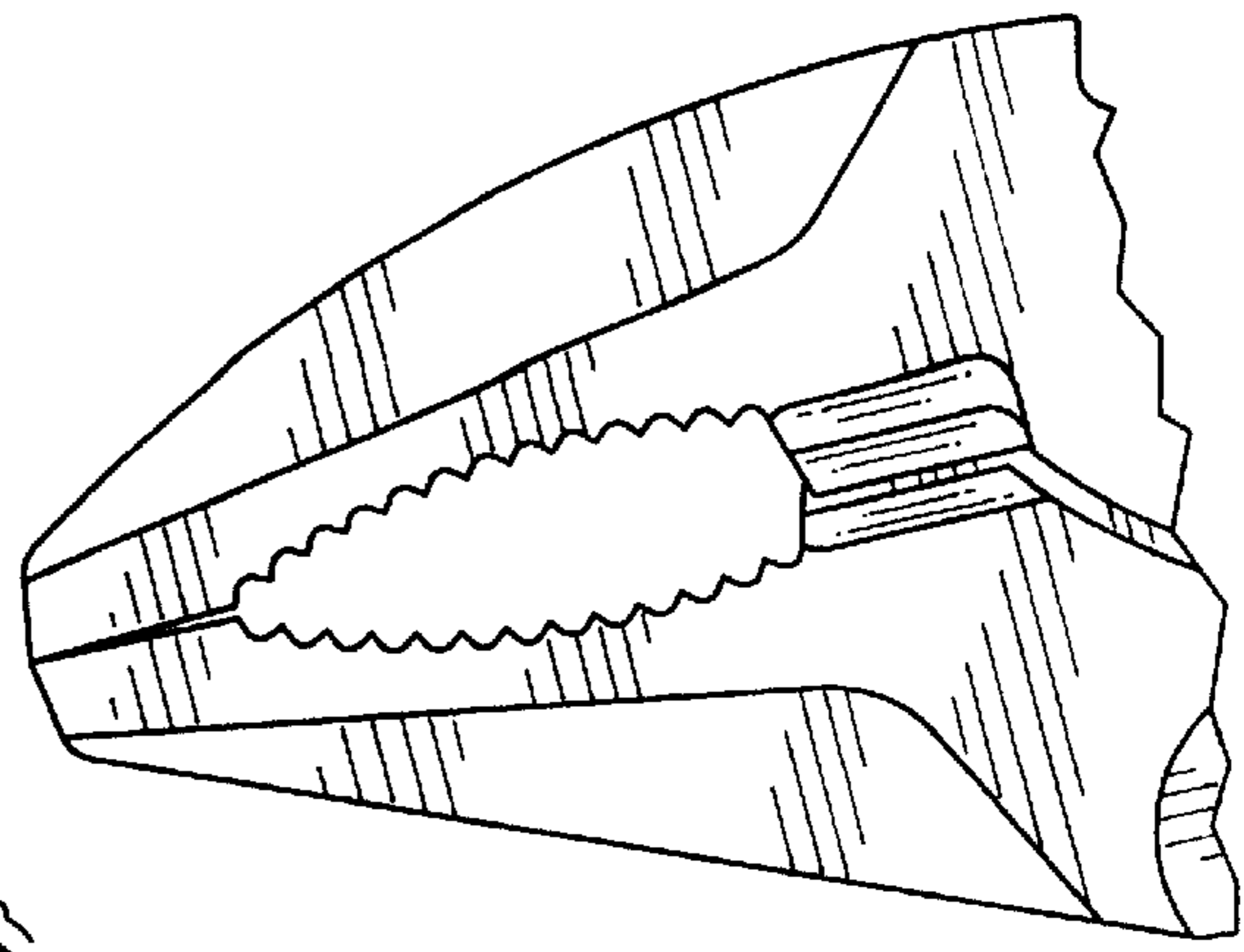
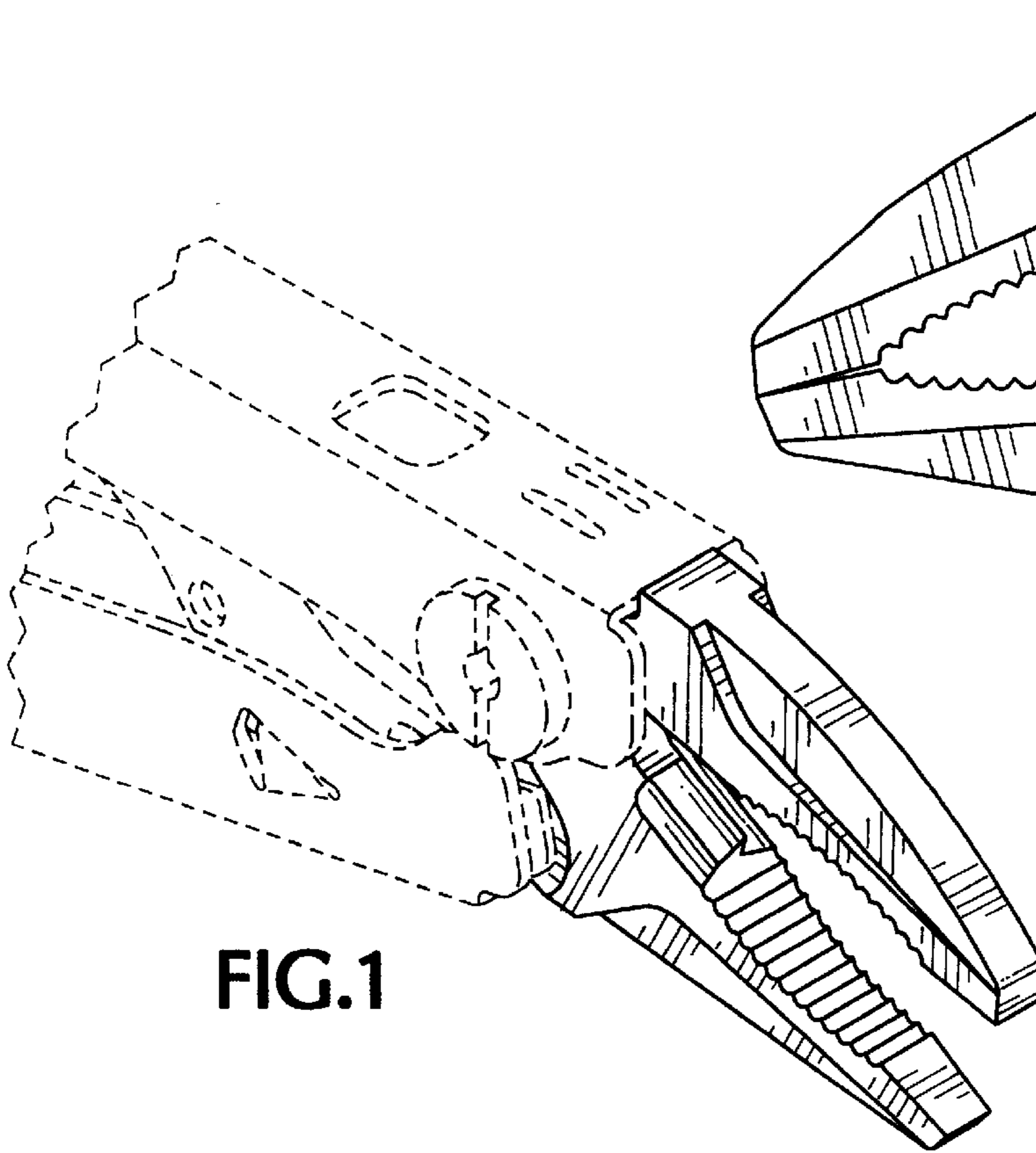


FIG. 5

FIG. 7

FIG. 4