



US00D420871S

# United States Patent [19]

Notaras et al.

[11] **Patent Number: Des. 420,871**

[45] **Date of Patent: \*\* Feb. 22, 2000**

[54] **LAWN EDGER**

[76] Inventors: **John Arthur Notaras**, 6 Carrington Avenue, Strathfield, New South Wales, 2135; **Angelo Lambrinos Notaras**, 86 Victoria Road, Bellevue Hill, New South Wales, 2040, both of Australia

[\*\*] Term: **14 Years**

[21] Appl. No.: **29/097,477**

[22] Filed: **Dec. 8, 1998**

### [30] Foreign Application Priority Data

Jun. 15, 1998 [AU] Australia ..... 1716/98

[51] **LOC (7) Cl.** ..... **08-01**

[52] **U.S. Cl.** ..... **D8/1; D8/8**

[58] **Field of Search** ..... D8/1, 2, 7-13; 56/12.1, 12.7, 17.1, 17.2

### [56] References Cited

#### U.S. PATENT DOCUMENTS

D. 360,563 7/1995 Griffin et al. .... D8/8

D. 372,405	8/1996	Notaras et al. ....	D8/1
5,301,757	4/1994	Kelley .....	56/17.2
5,313,770	5/1994	Smothers .....	56/12.7
5,771,670	6/1998	Perry .....	56/12.1

*Primary Examiner*—Robin V. Taylor  
*Attorney, Agent, or Firm*—Ladas & Parry

### [57] CLAIM

The ornamental design for a lawn edger, as shown.

### DESCRIPTION

FIG. 1 is a front perspective view of a “Lawn Edger” showing our new design;

FIG. 2 is a front elevation thereof;

FIG. 3 is a rear elevation thereof;

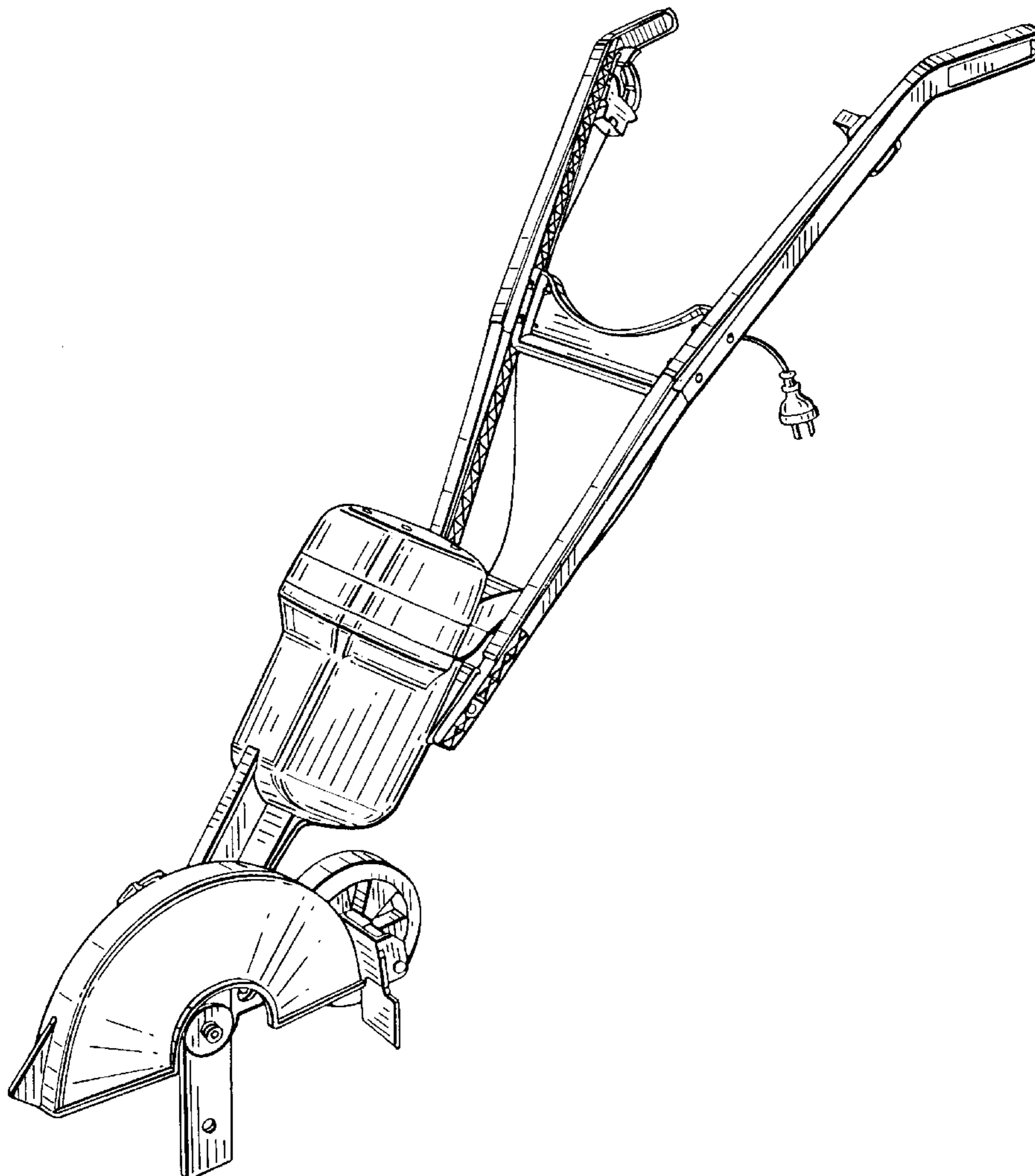
FIG. 4 is a left side elevation thereof;

FIG. 5 is a plan view thereof;

FIG. 6 is a right side elevation thereof; and,

FIG. 7 is an inverted plan view thereof.

**1 Claim, 4 Drawing Sheets**



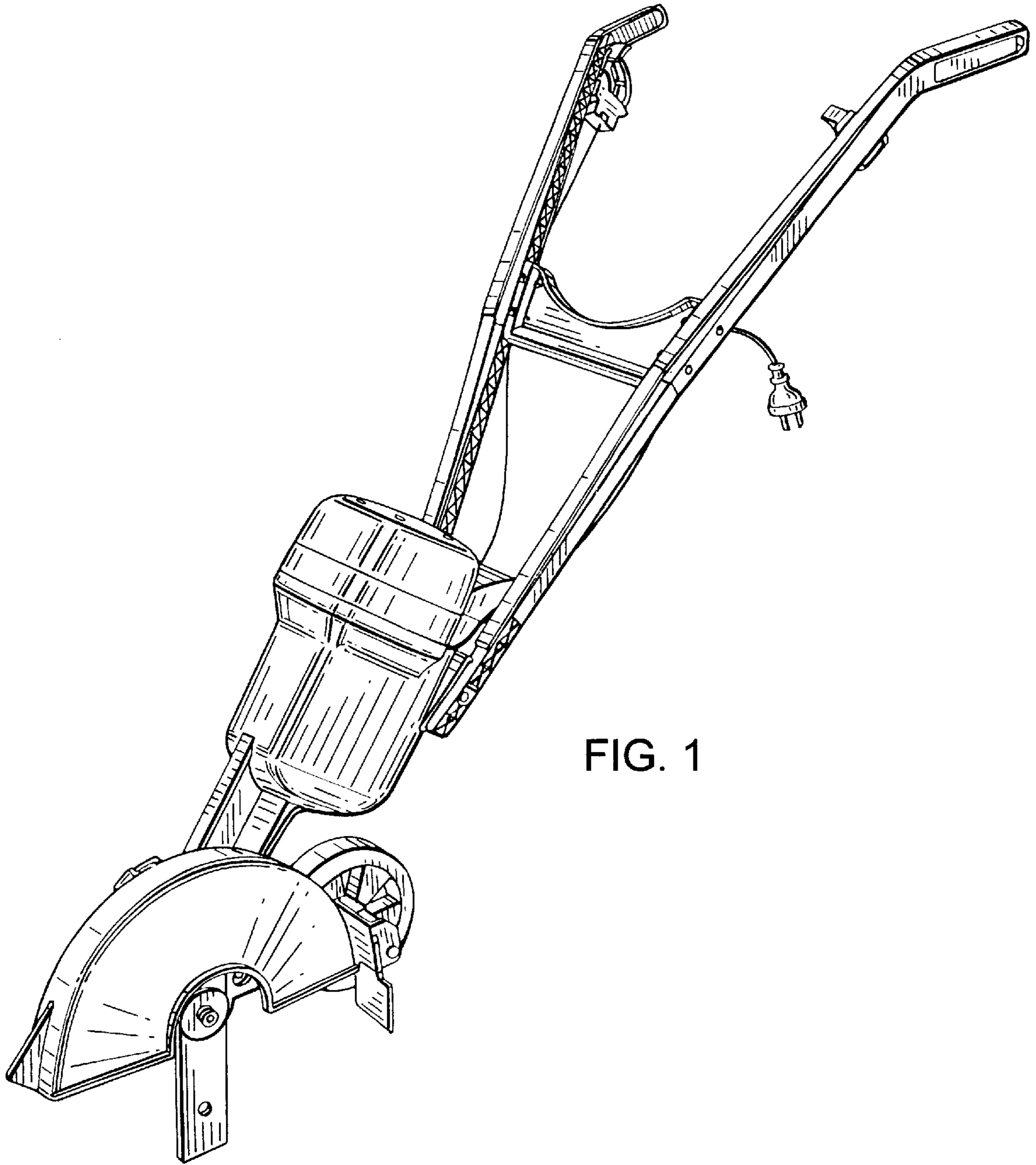


FIG. 1

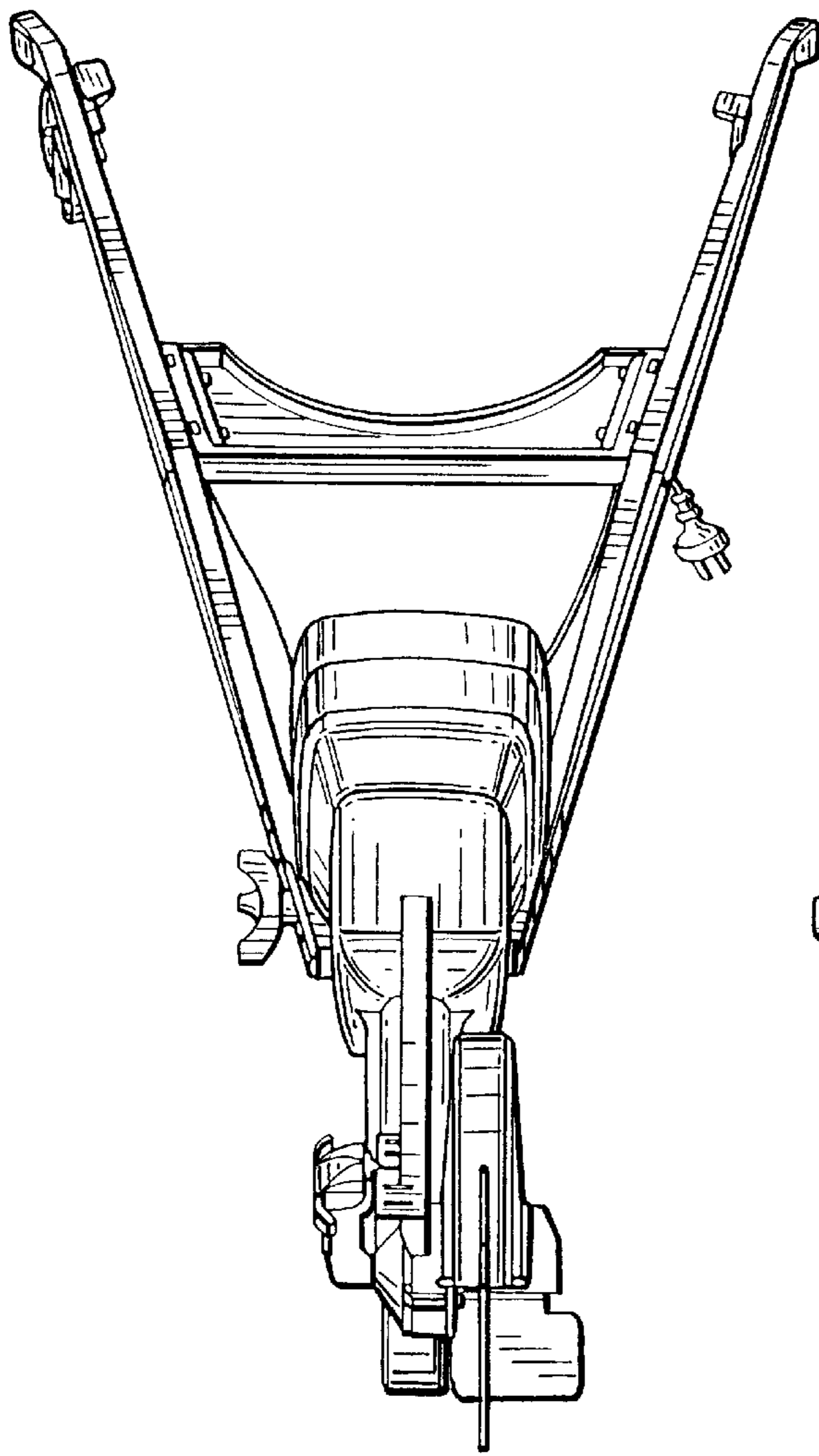


FIG. 2

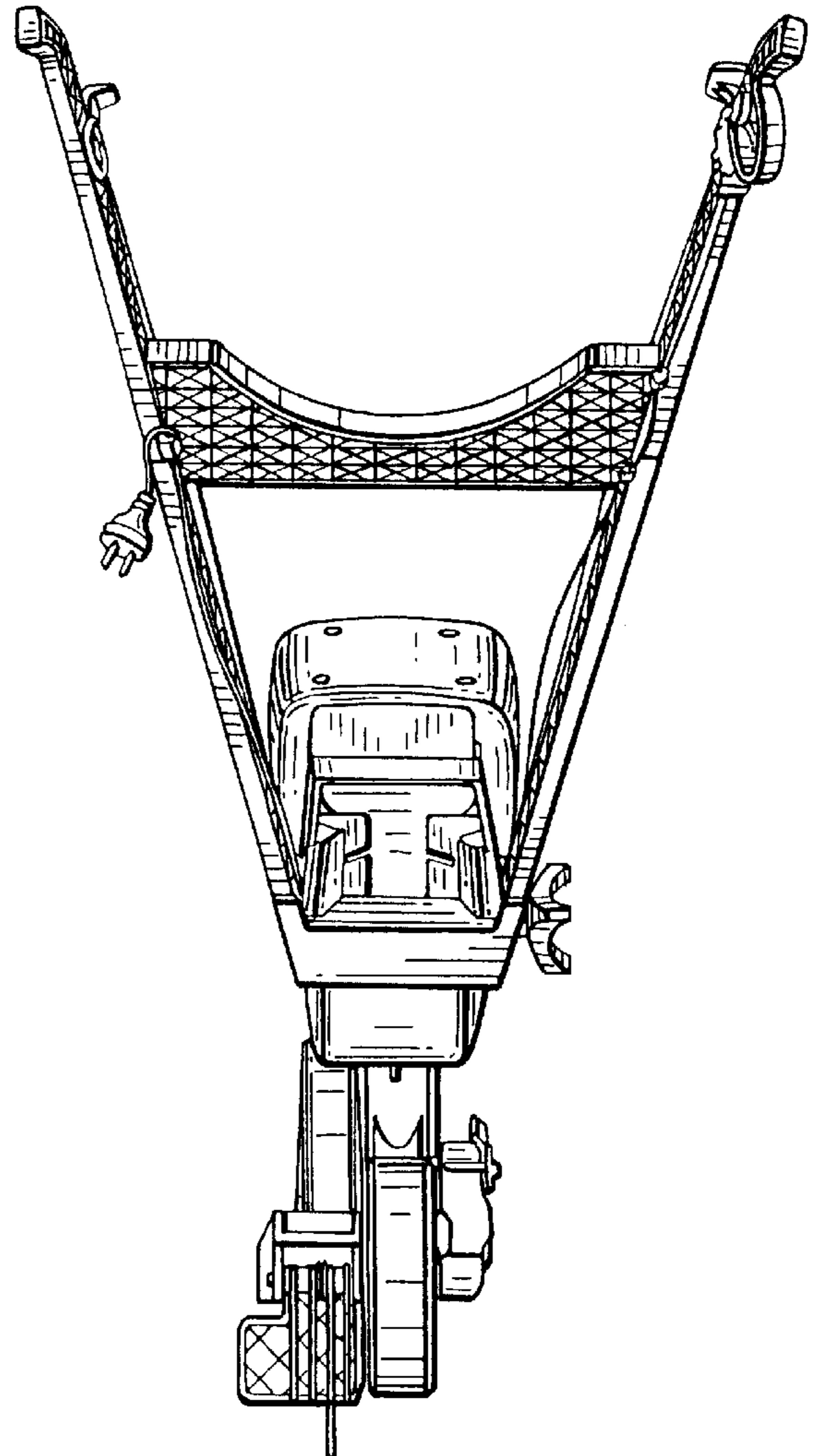


FIG. 3

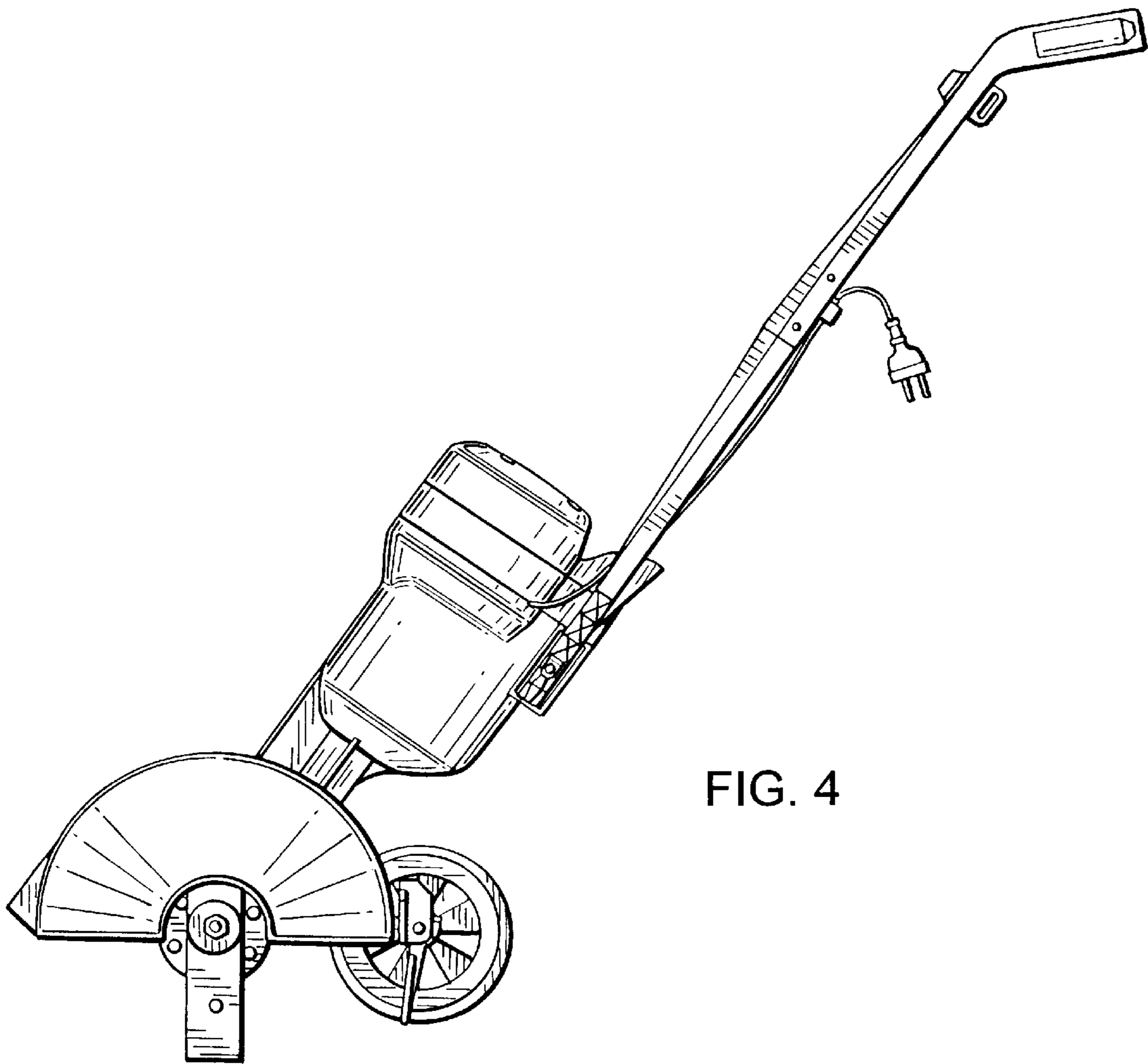


FIG. 4

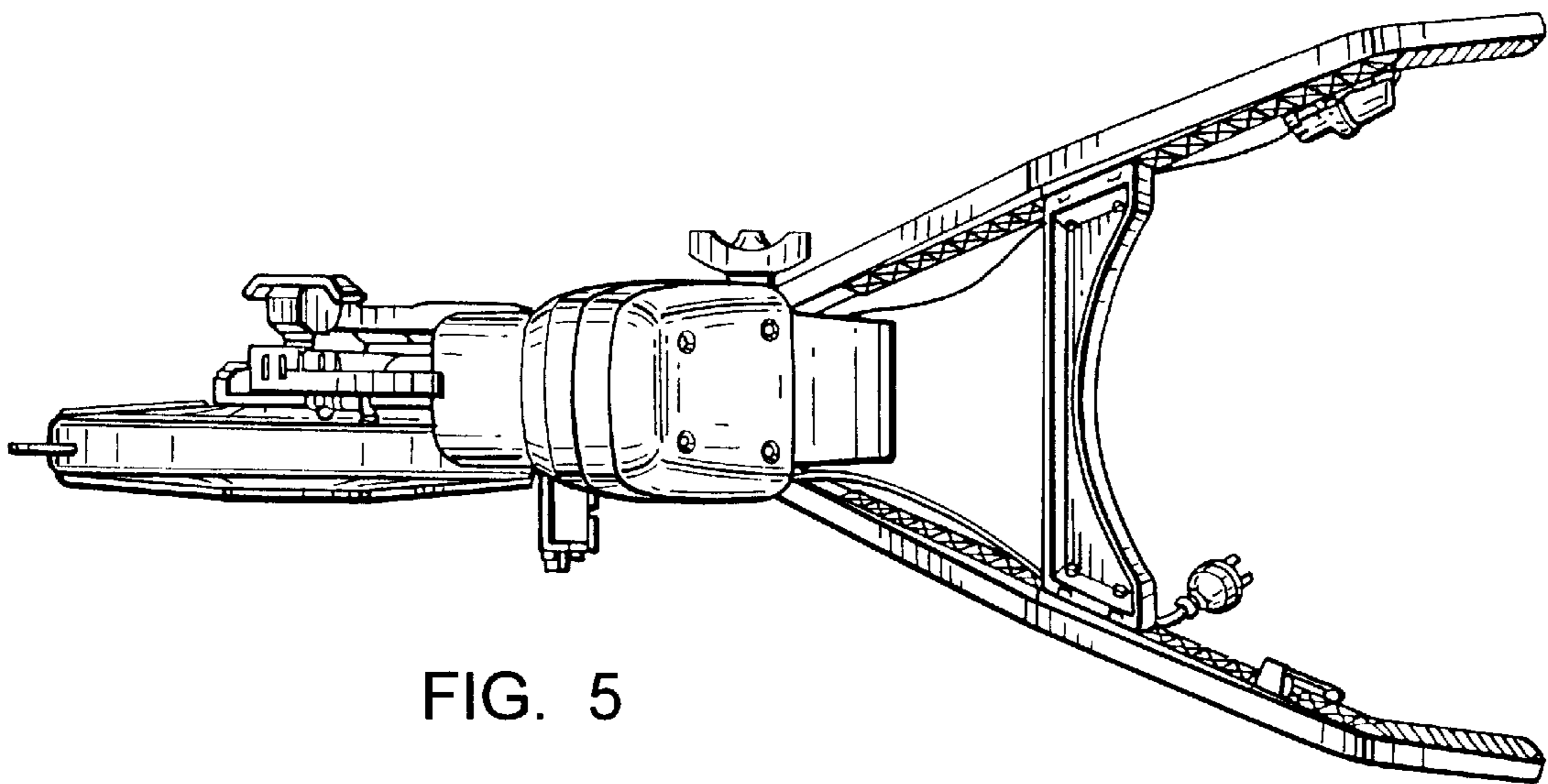


FIG. 5

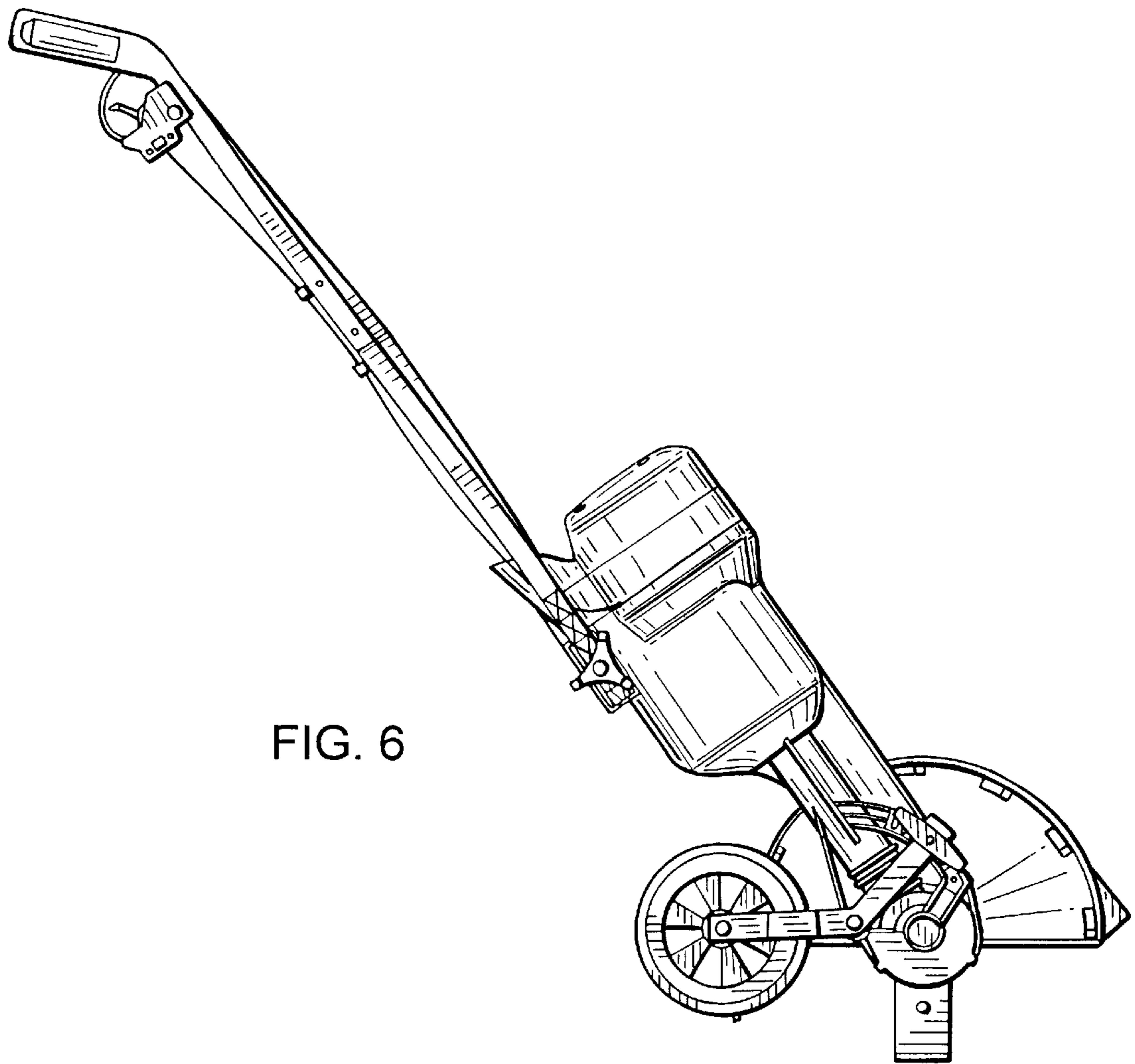


FIG. 6

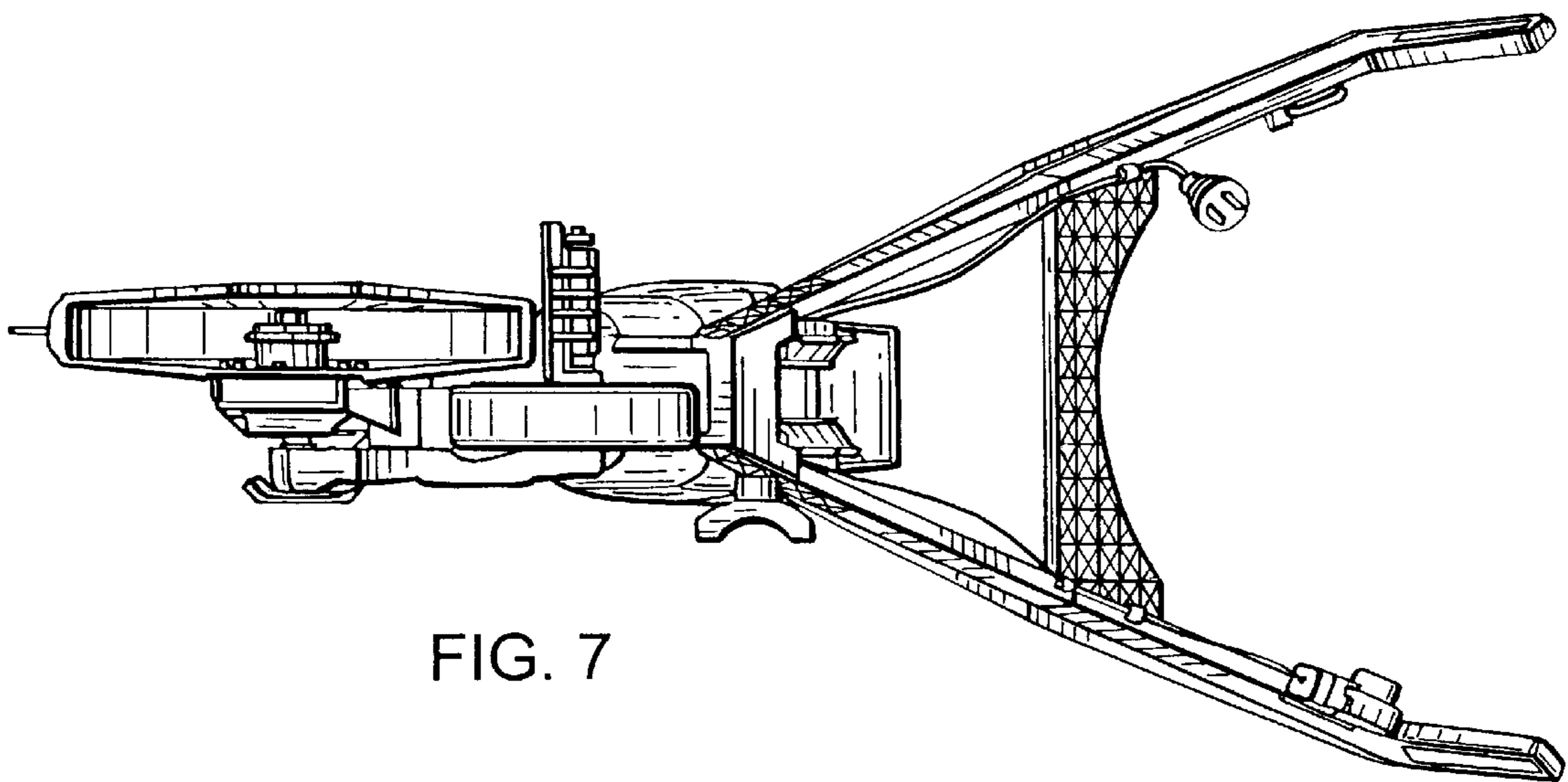


FIG. 7