



US00D420870S

United States Patent [19]
DeCoster

[11] **Patent Number: Des. 420,870**

[45] **Date of Patent: ** Feb. 22, 2000**

[54] **MEASURING FUNNEL**

[75] **Inventor: Pieter K. J. DeCoster, Aalst, Belgium**

[73] **Assignee: Dart Industries Inc., Orlando, Fla.**

[**] **Term: 14 Years**

[21] **Appl. No.: 29/092,340**

[22] **Filed: Aug. 17, 1998**

[51] **LOC (7) Cl. 07-99**

[52] **U.S. Cl. D7/700; D10/46.2**

[58] **Field of Search D7/700; D23/200;
D10/46.2, 46.3; 73/426-429; 141/98, 297-300,
331-345**

[56] **References Cited**

U.S. PATENT DOCUMENTS

- D. 185,780 8/1959 Tupper .
- D. 229,917 1/1974 Swett .
- D. 382,448 8/1997 Maique D7/700

- 557,876 4/1896 Poston 141/335
- 4,334,557 6/1982 YaSenka 141/98
- 5,511,595 4/1996 Stidham 141/300

Primary Examiner—Terry A. Wallace
Attorney, Agent, or Firm—Taylor J. Ross

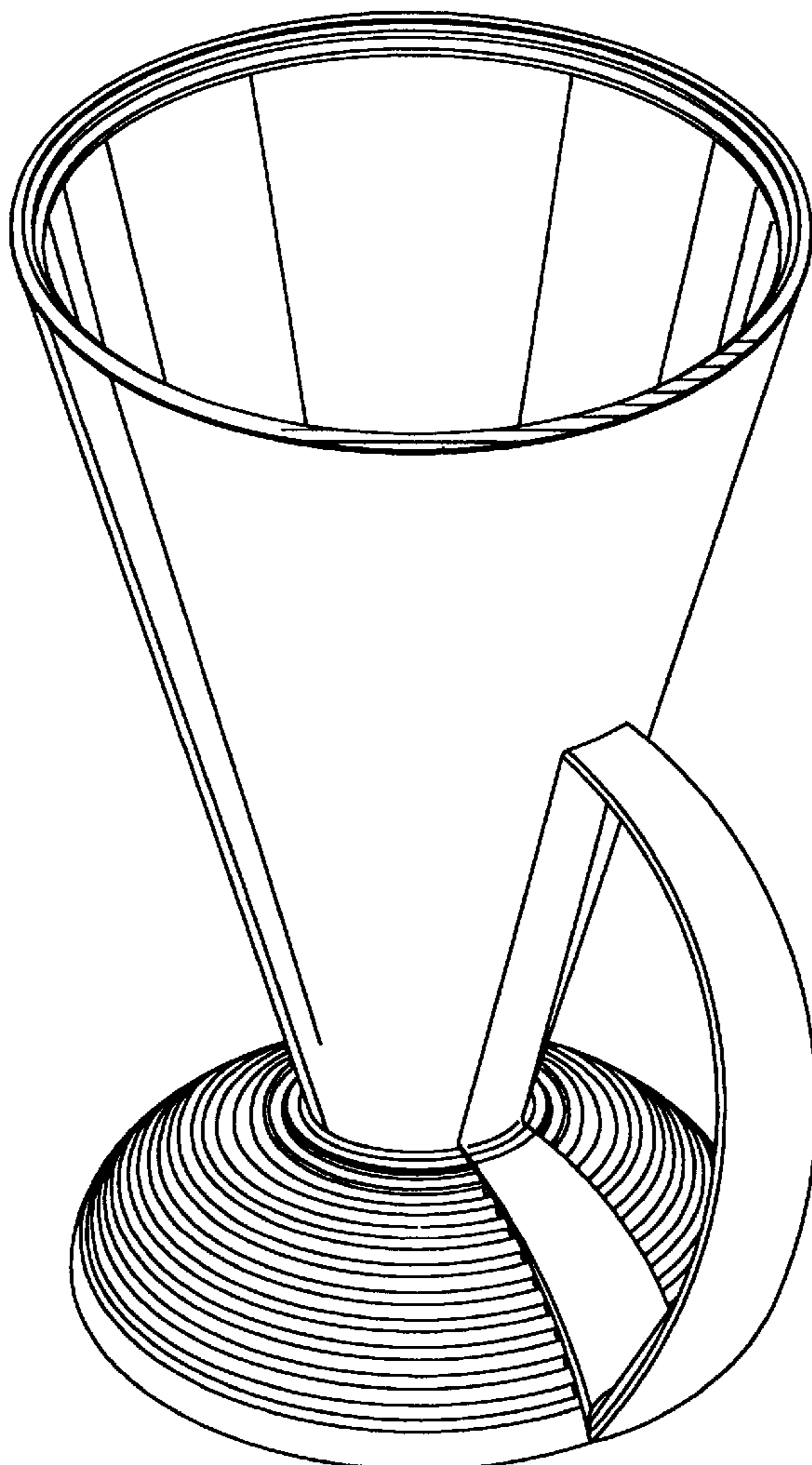
[57] **CLAIM**

The ornamental design for a measuring funnel, as shown and described.

DESCRIPTION

FIG. 1 is a top, side and front perspective view of a measuring funnel showing the new design;
FIG. 2 is a bottom, side and rear perspective view thereof;
FIG. 3 is a front elevation view thereof;
FIG. 4 is a rear elevation view thereof;
FIG. 5 is a right side elevation view thereof;
FIG. 6 is a left side elevation view thereof;
FIG. 7 is a top plan view thereof; and,
FIG. 8 is a bottom plan view thereof.

1 Claim, 4 Drawing Sheets



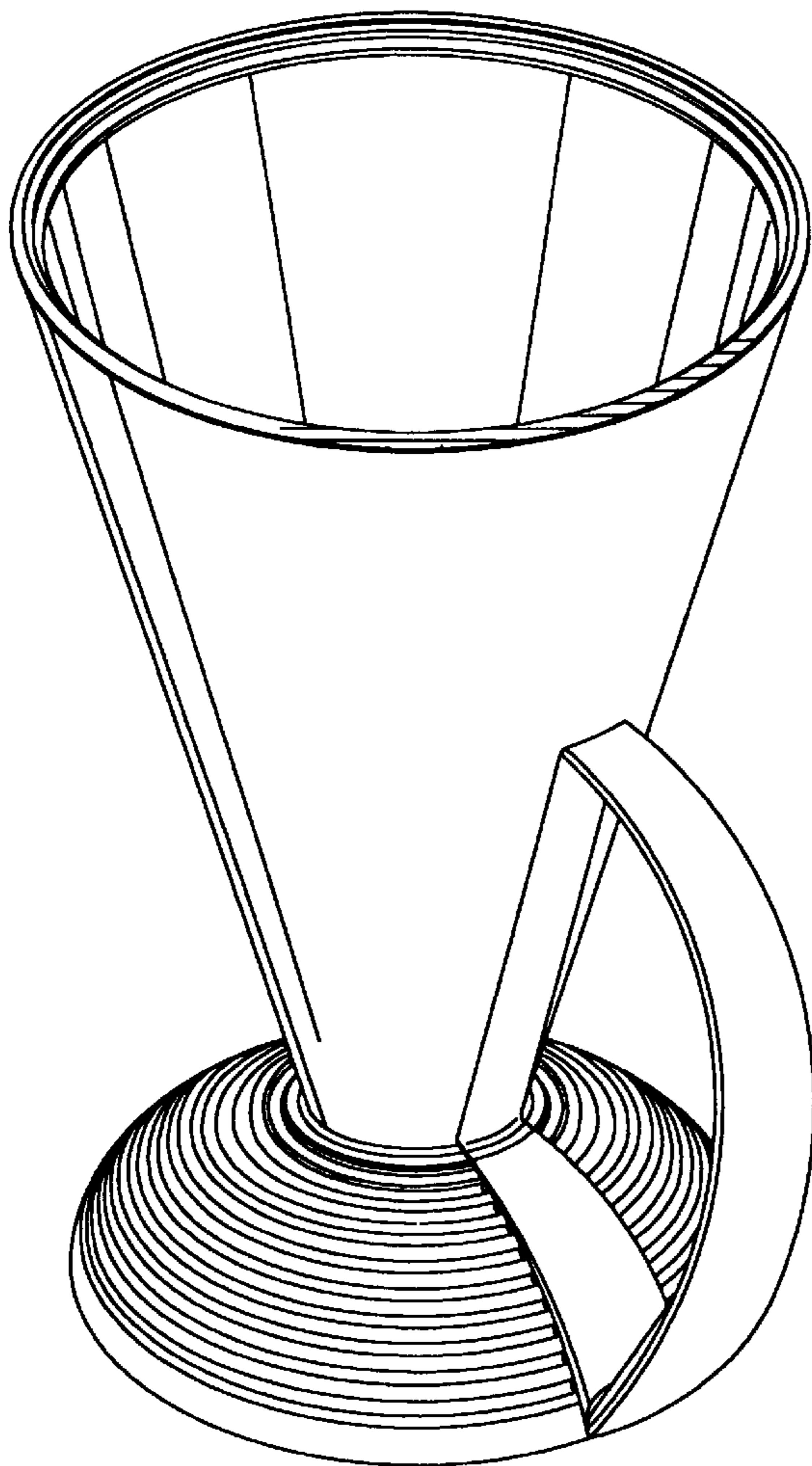


FIG. 1

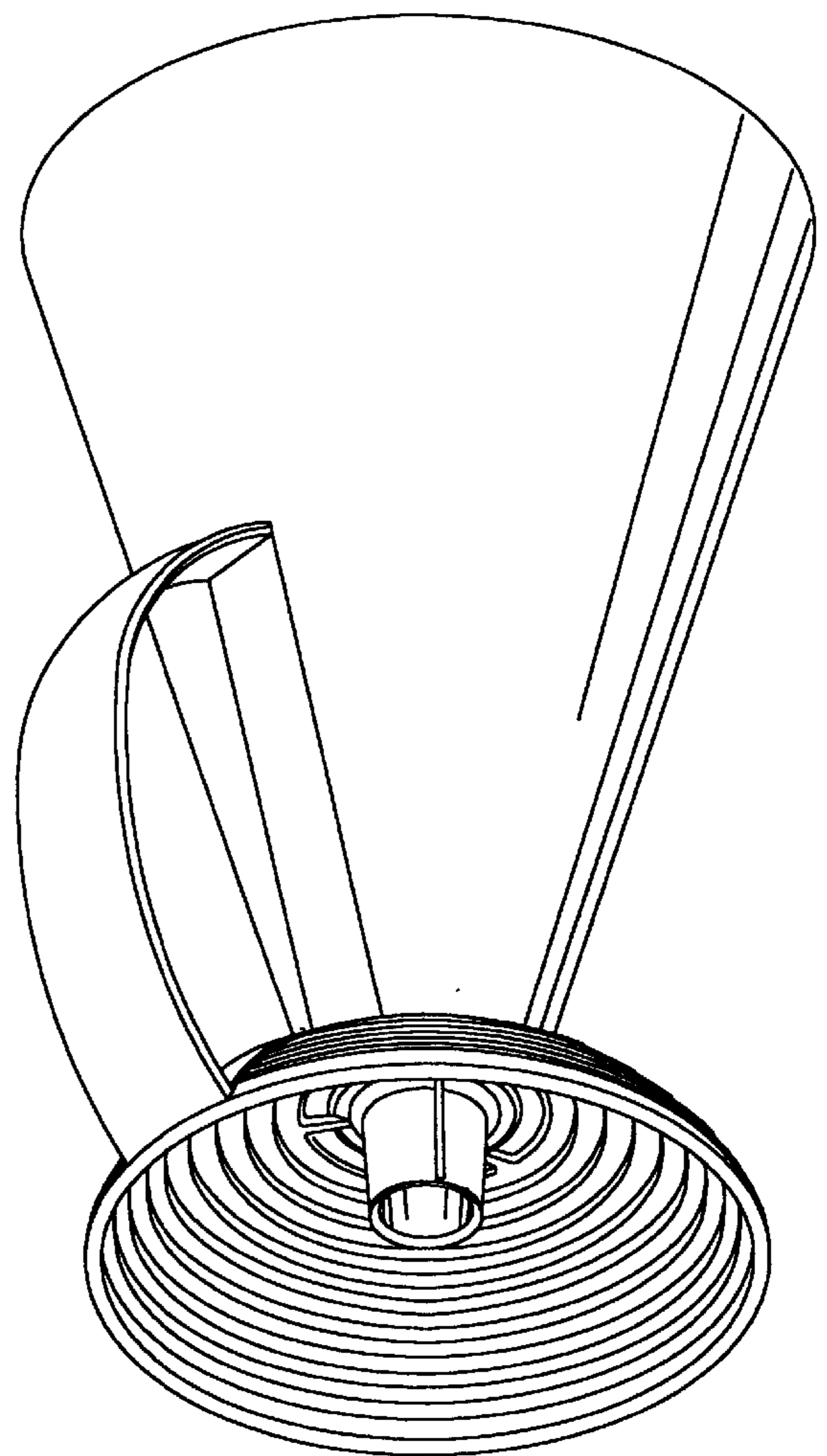


FIG. 2

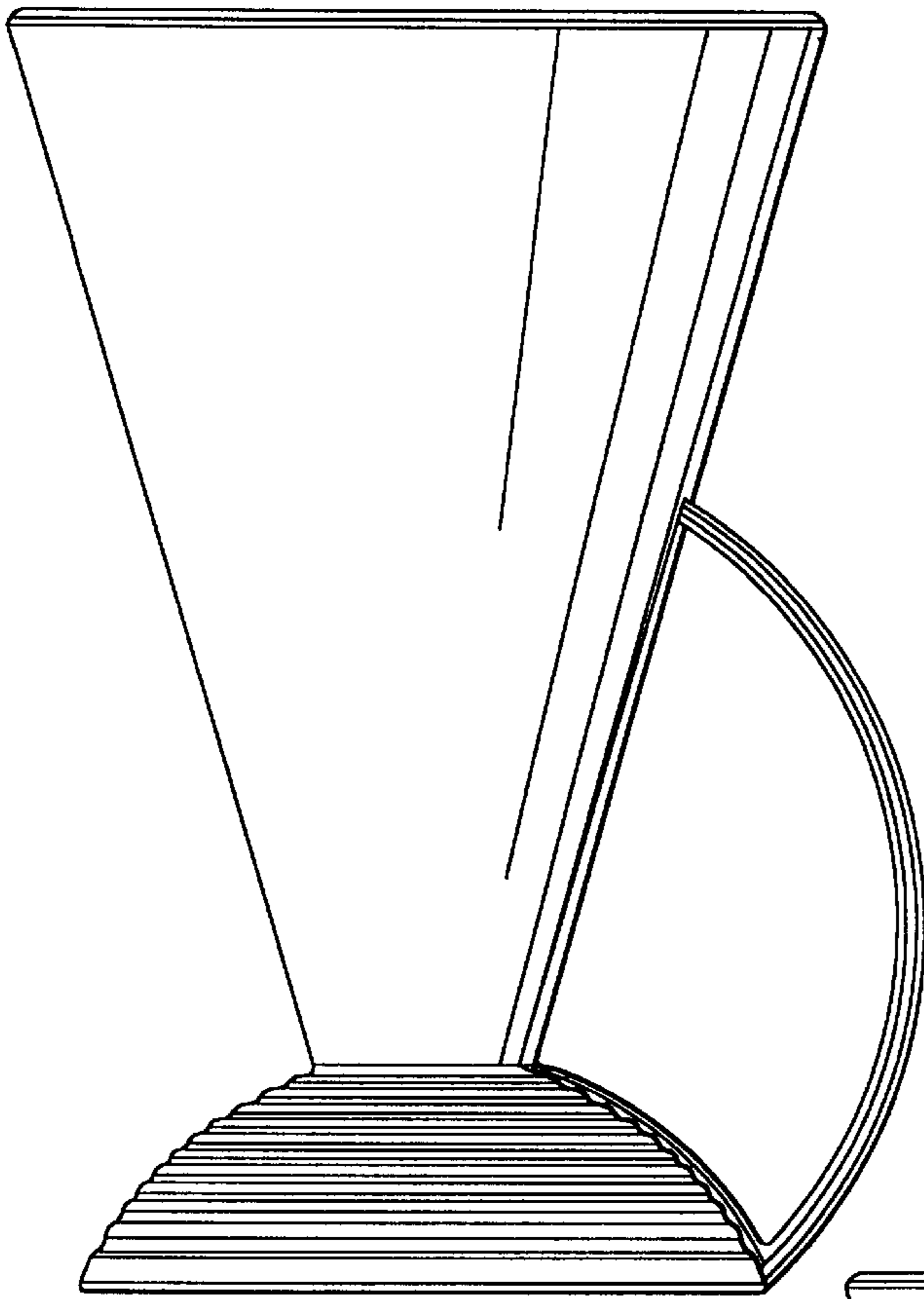


FIG. 3

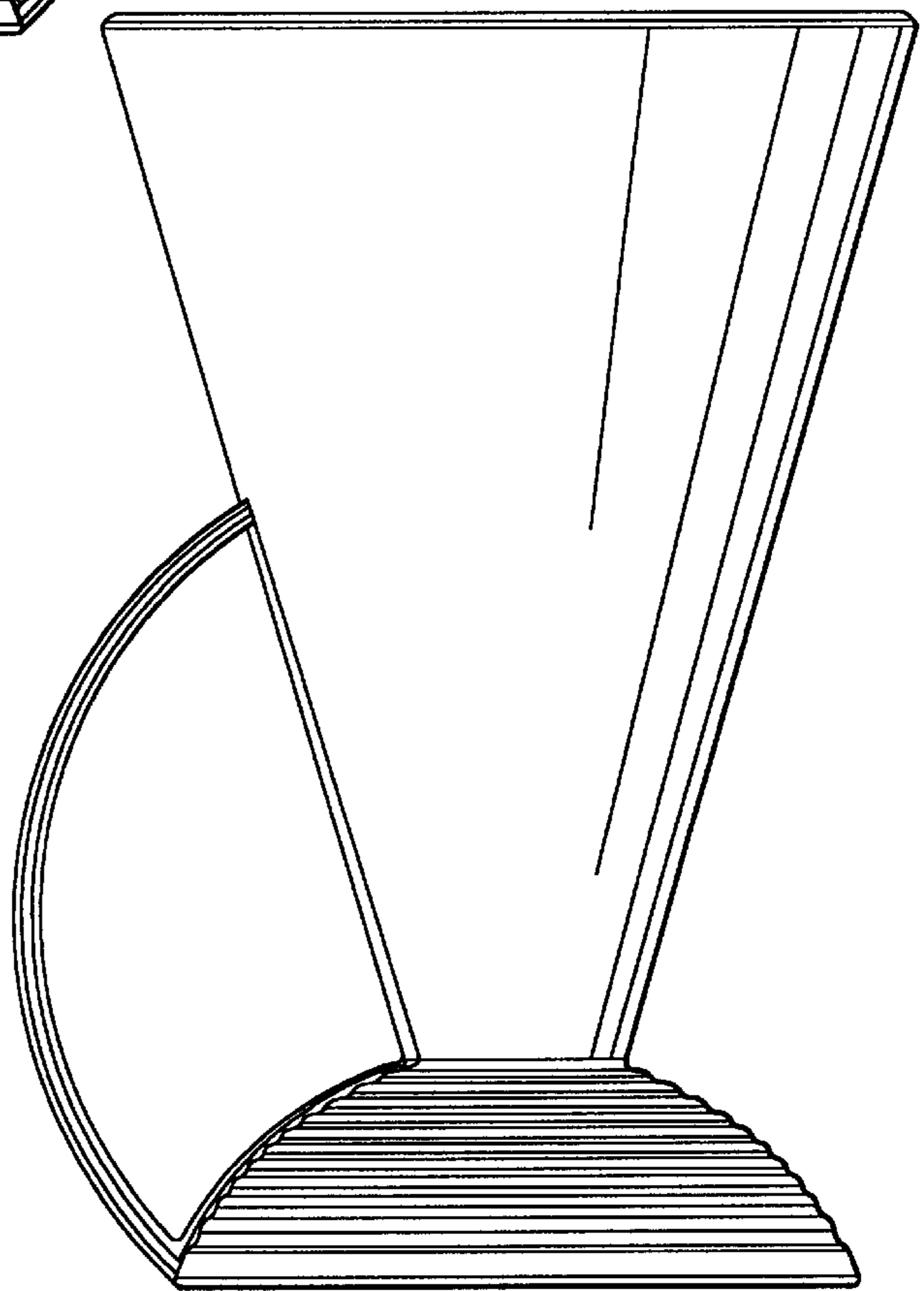


FIG. 4

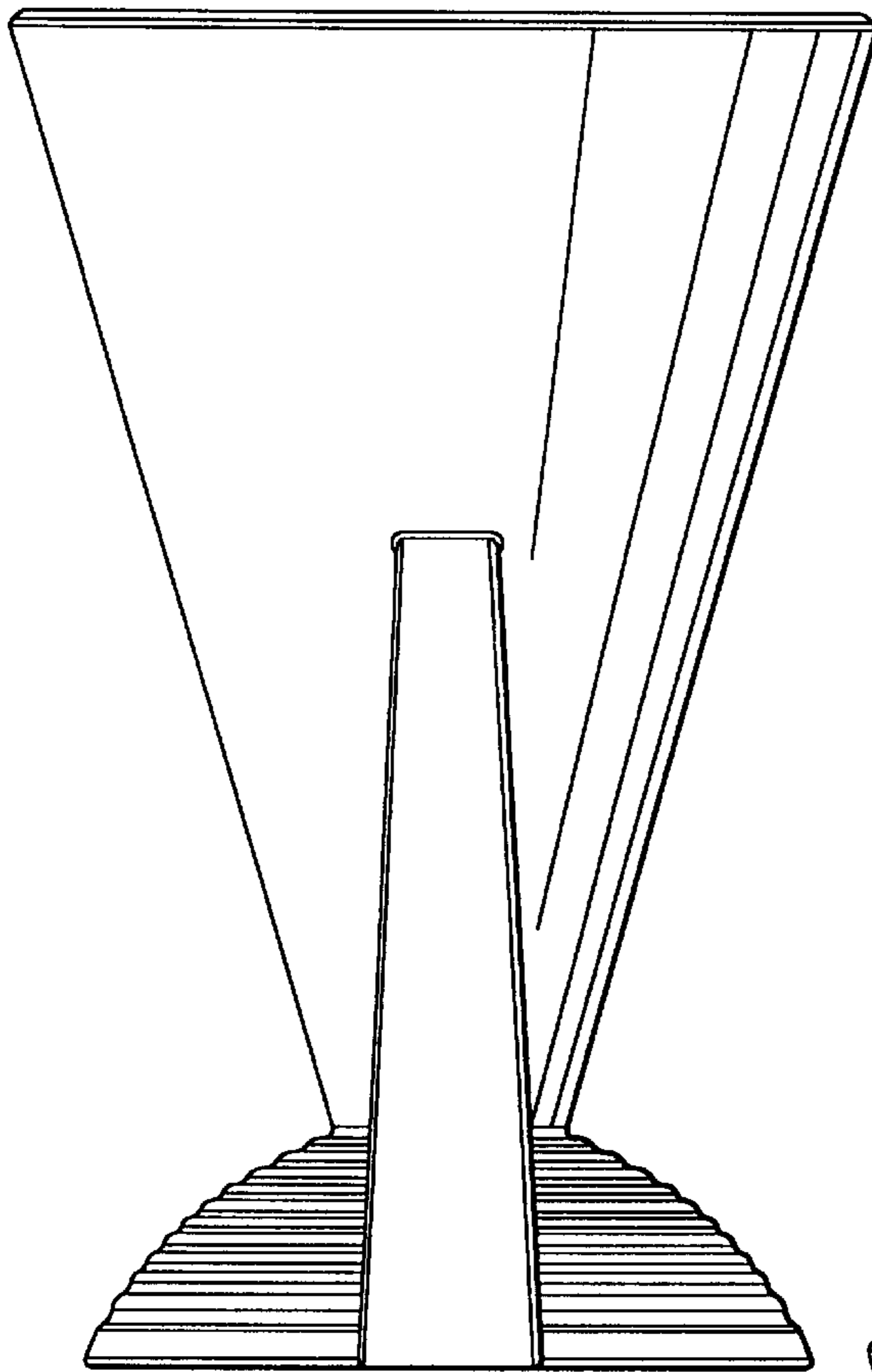


FIG. 5

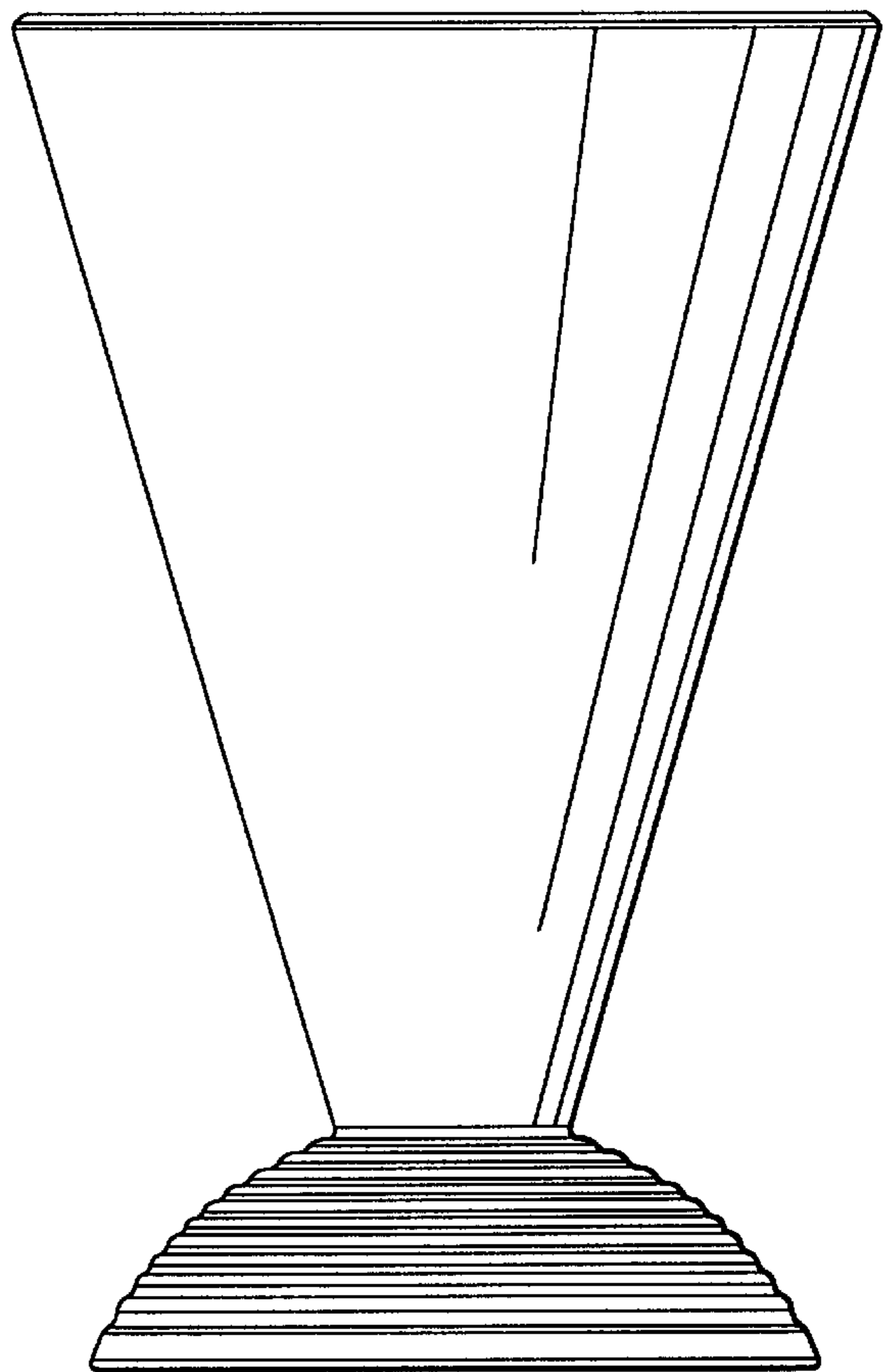


FIG. 6

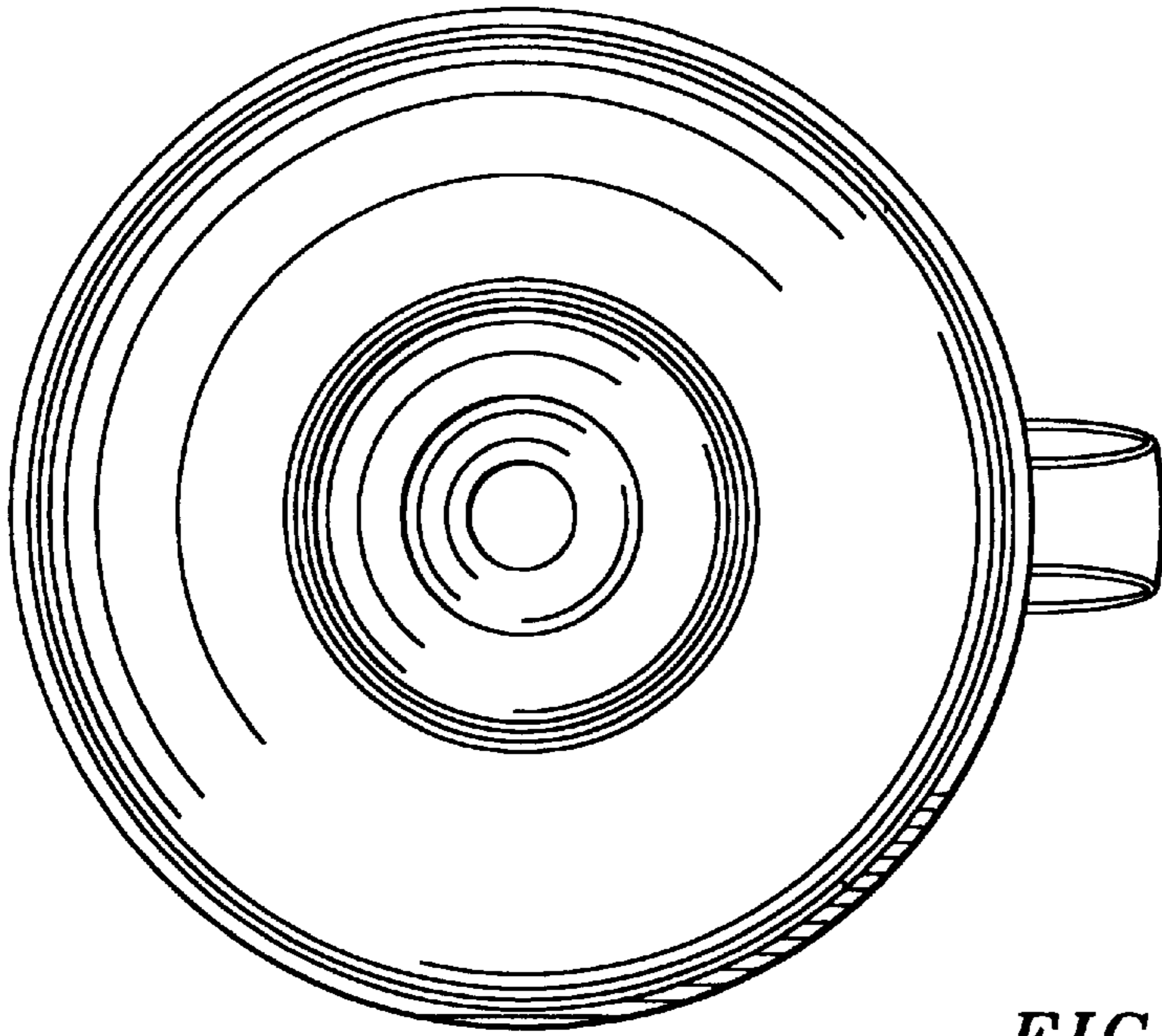


FIG. 7

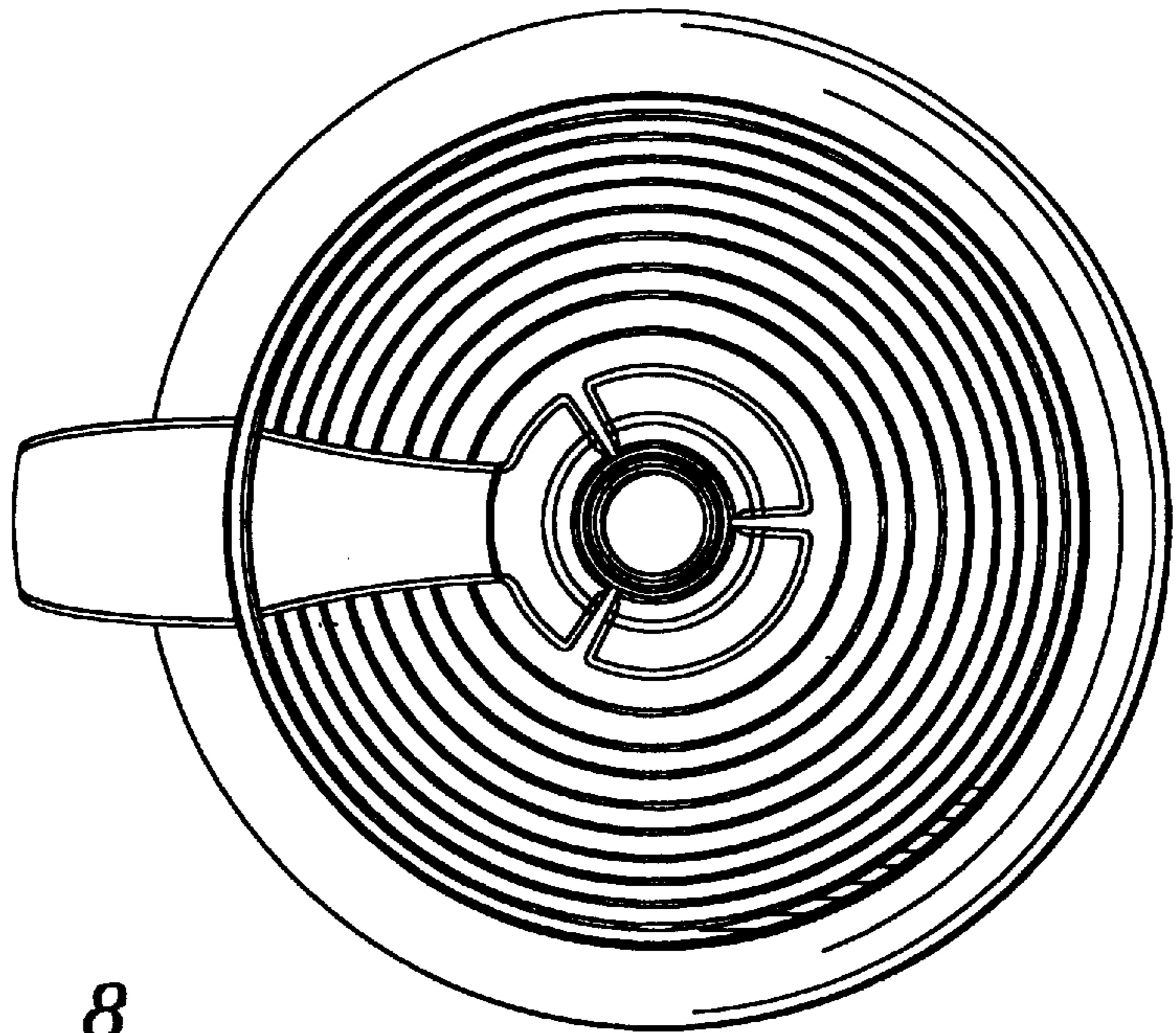


FIG. 8