



US00D420866S

United States Patent [19]

VanHalteren et al.

[11] Patent Number: Des. 420,866

[45] Date of Patent: ** Feb. 22, 2000

[54] PUMPKIN MOLD

D. 368,414 4/1996 Van Halteren et al. D7/675

[76] Inventors: **Jacob VanHalteren**, 90 Center Street East, Richmond Hill, Ontario, Canada, L4C 1A4; **Steve Burke**, 47 Valley Brook Drive, Don Mills, Ontario, Canada, M3B 2S6

Primary Examiner—Terry A. Wallace
Attorney, Agent, or Firm—Sterne, Kessler, Goldstein & Fox P.L.L.C.

[**] Term: 14 Years

[57] CLAIM

The ornamental design for a pumpkin mold, as shown and described.

[21] Appl. No.: 29/058,380

[22] Filed: Aug. 12, 1996

DESCRIPTION

[30] Foreign Application Priority Data

Aug. 9, 1996 [CA] Canada 1996-1784

FIG. 1 is a perspective view of a pumpkin mold showing our new design;

[51] LOC (7) Cl. 07-04

[52] U.S. Cl. D7/675; D11/121; D11/125

FIG. 2 is a perspective view thereof in a closed position;

[58] Field of Search D7/675, 611; D9/341;

206/521.6; 229/2.5 EC, 2.5 R; 249/119, 121, 170

FIG. 3 is a top plan view of FIG. 1;

FIG. 4 is a bottom plan view of FIG. 1;

FIG. 5 is a side elevation view of FIG. 2;

FIG. 6 is a front elevation view of FIG. 2; and,

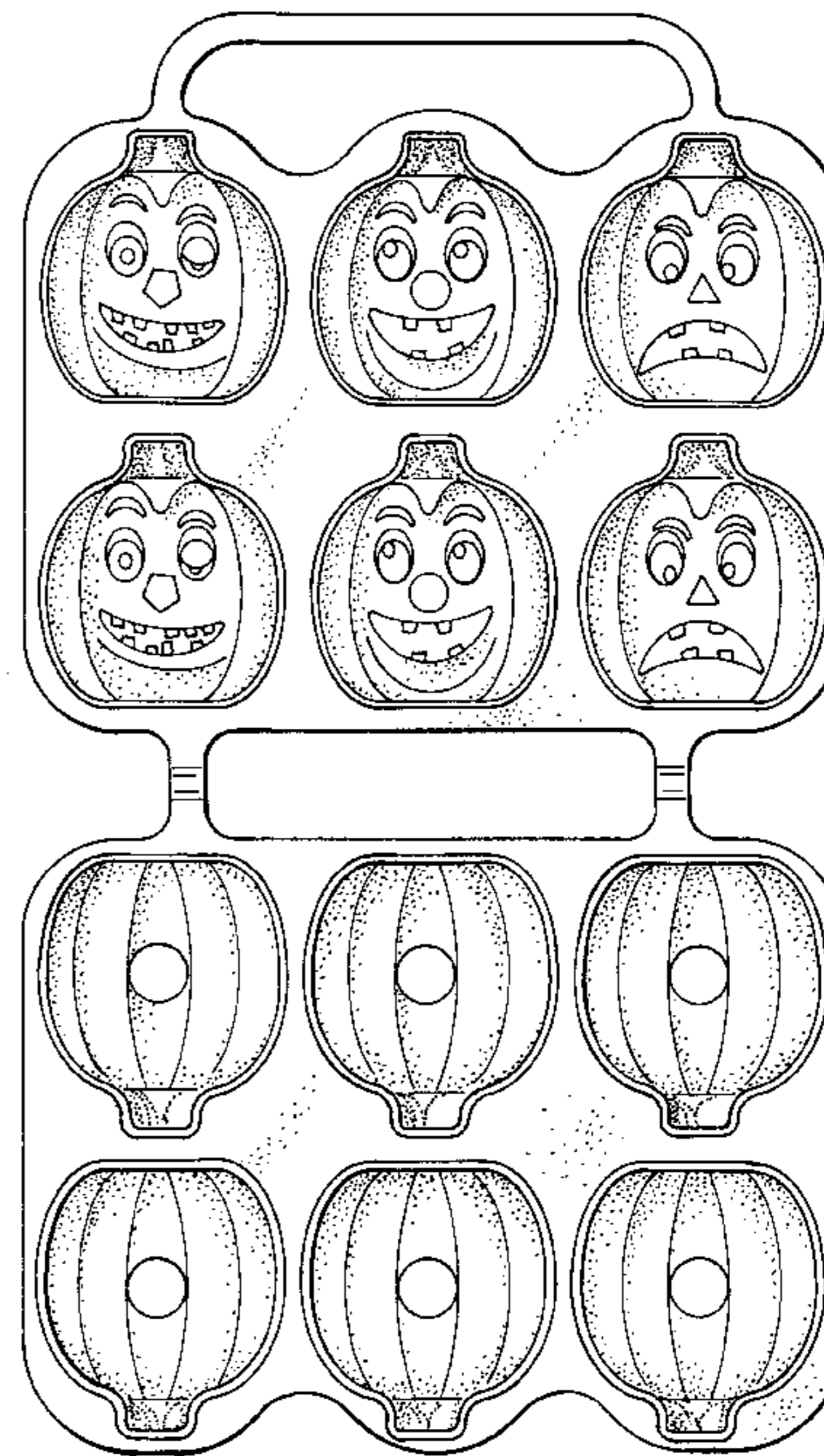
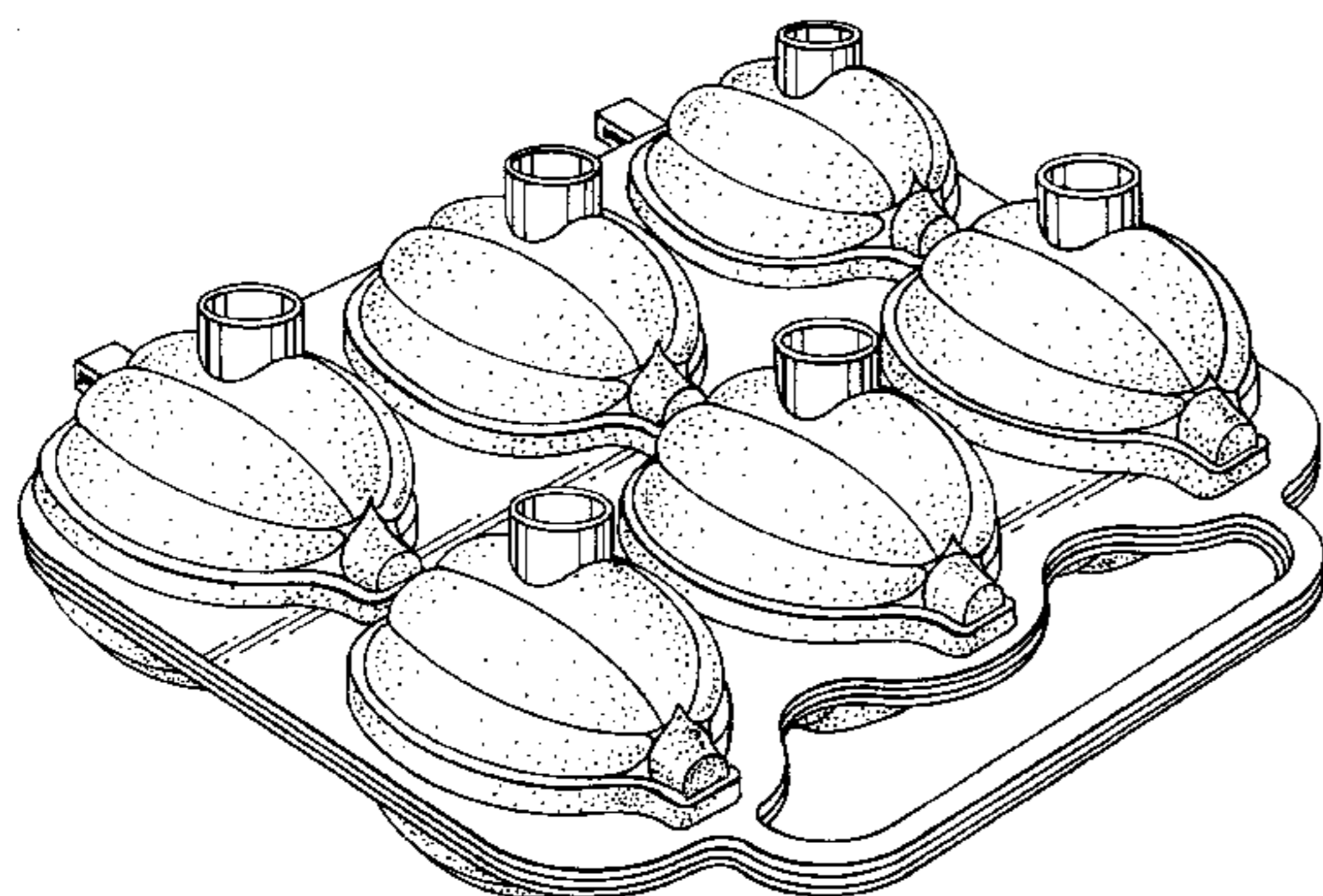
FIG. 7 is rear elevation view of FIG. 2.

[56] References Cited

U.S. PATENT DOCUMENTS

D. 346,552 5/1994 Krupa D9/341

1 Claim, 5 Drawing Sheets



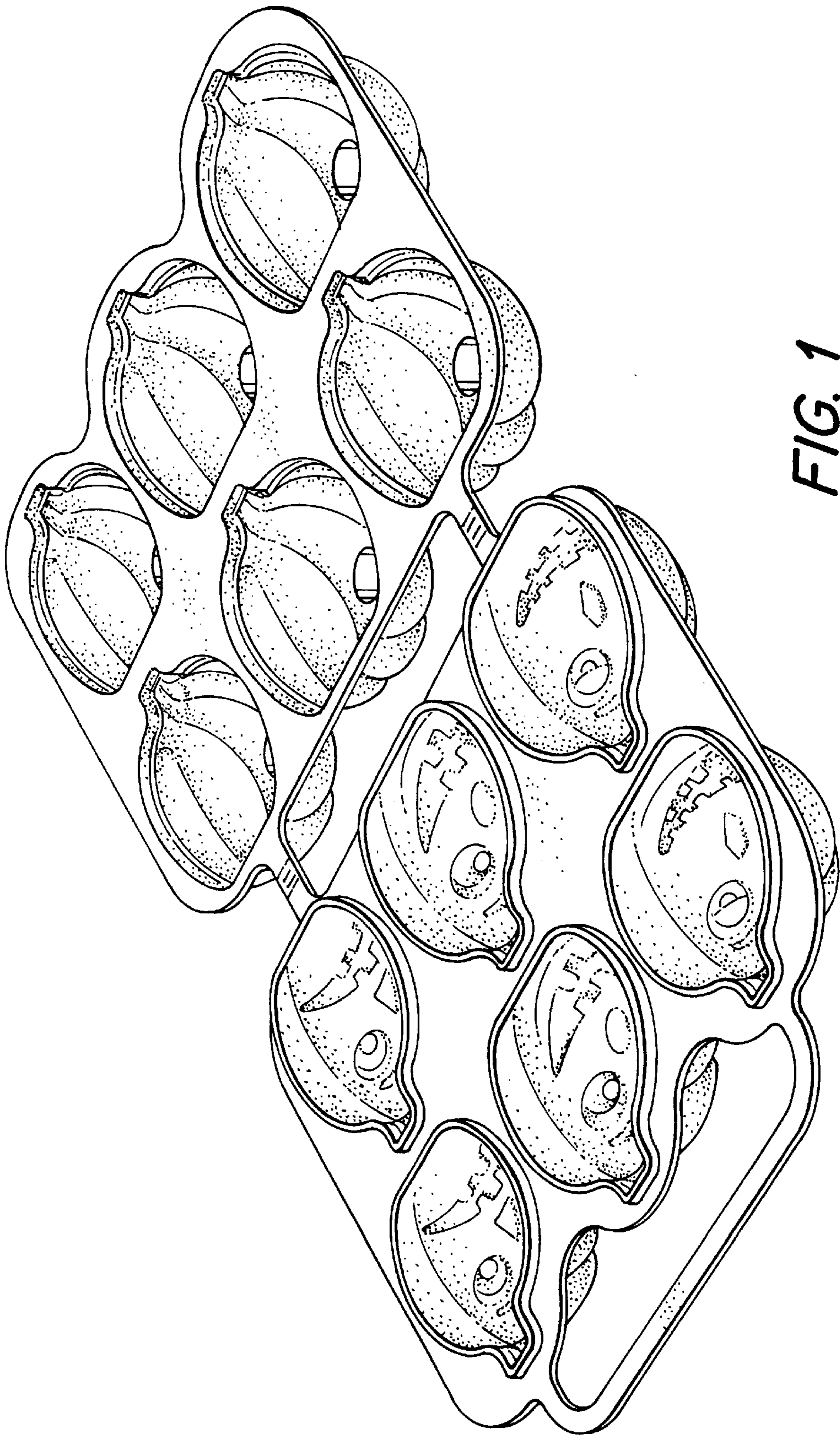


FIG. 1

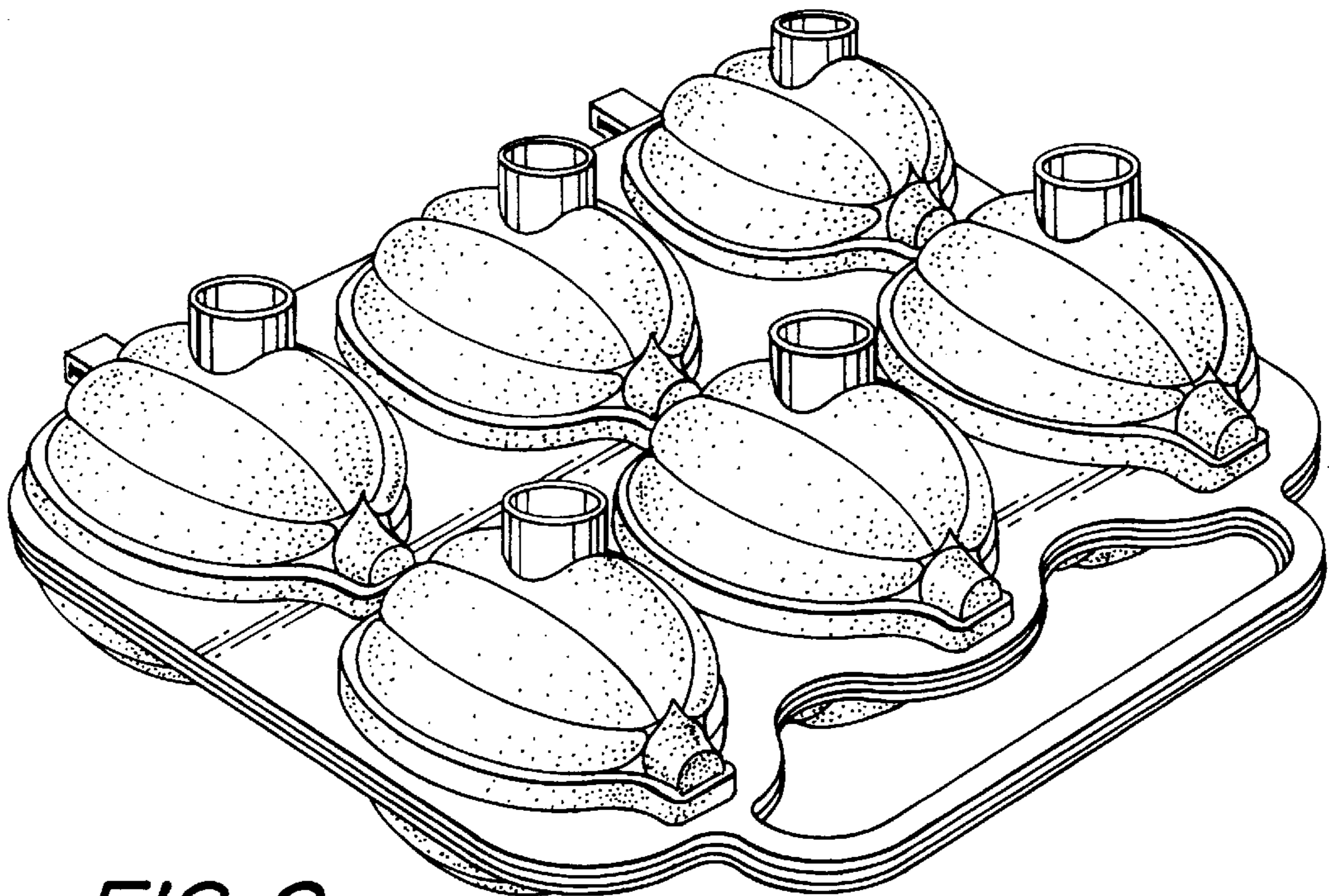


FIG. 2

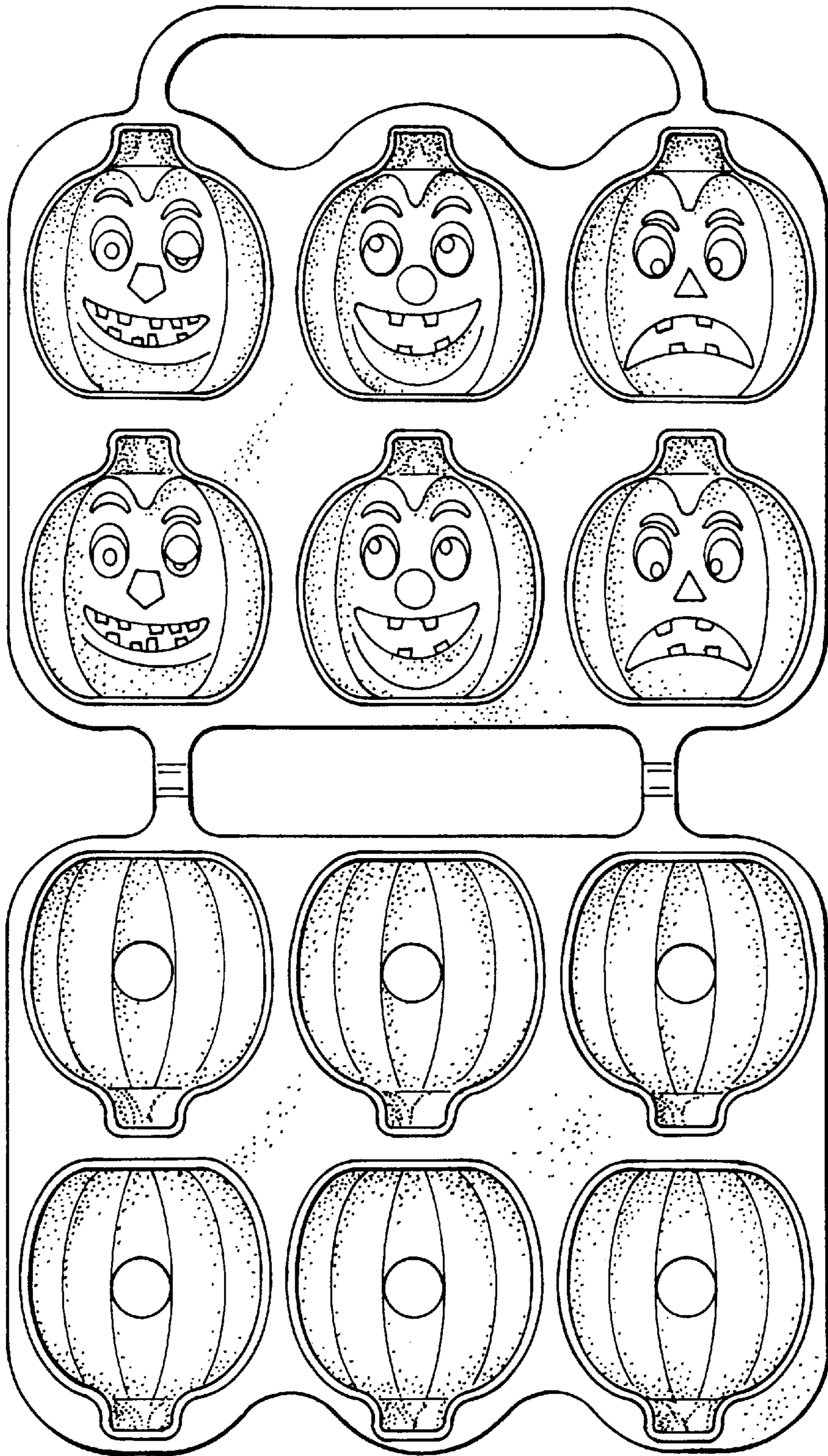
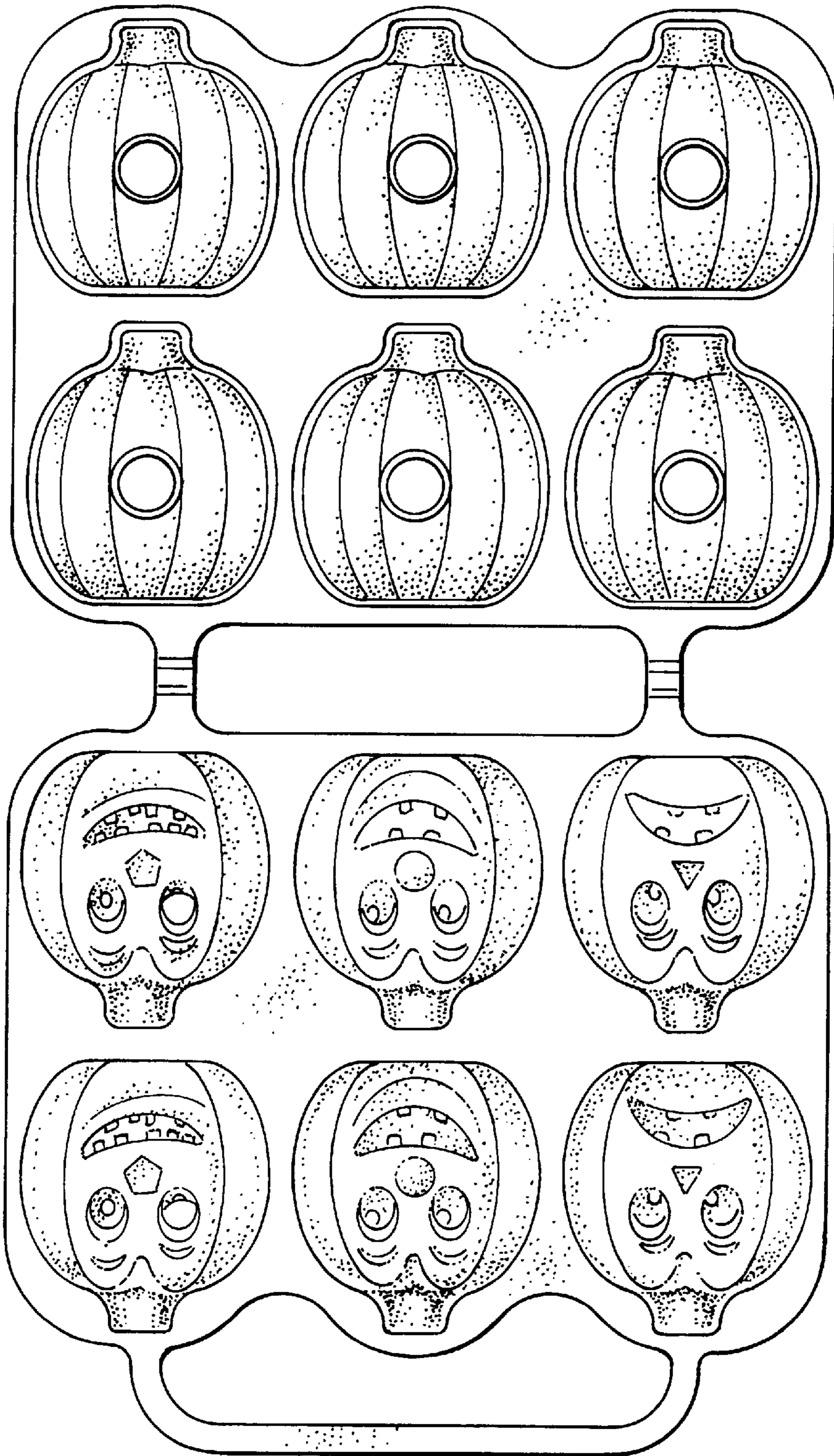


FIG. 3

FIG. 4



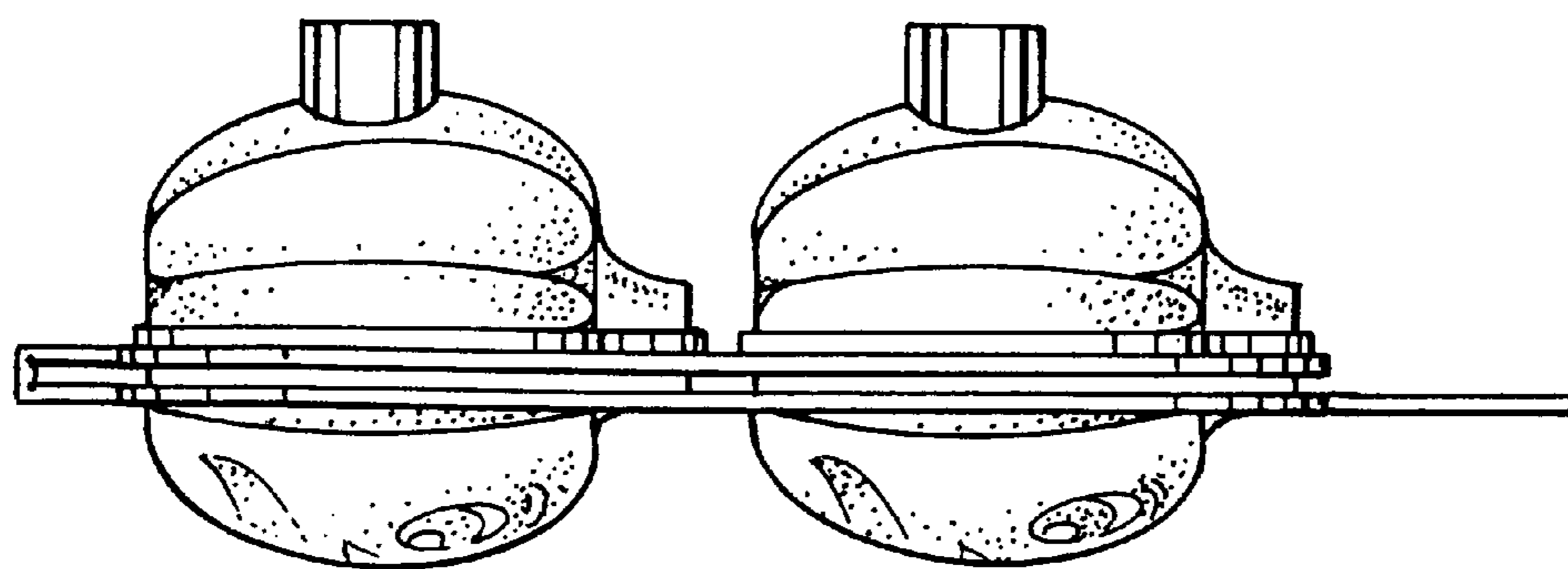


FIG. 5

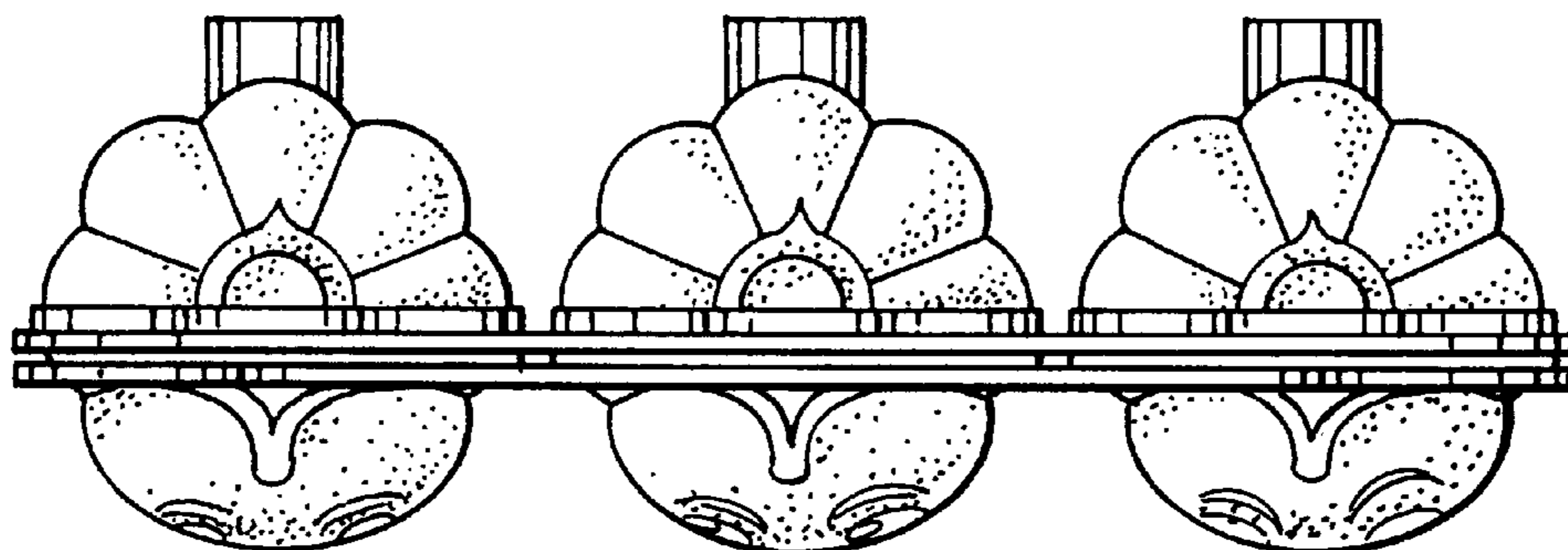


FIG. 6

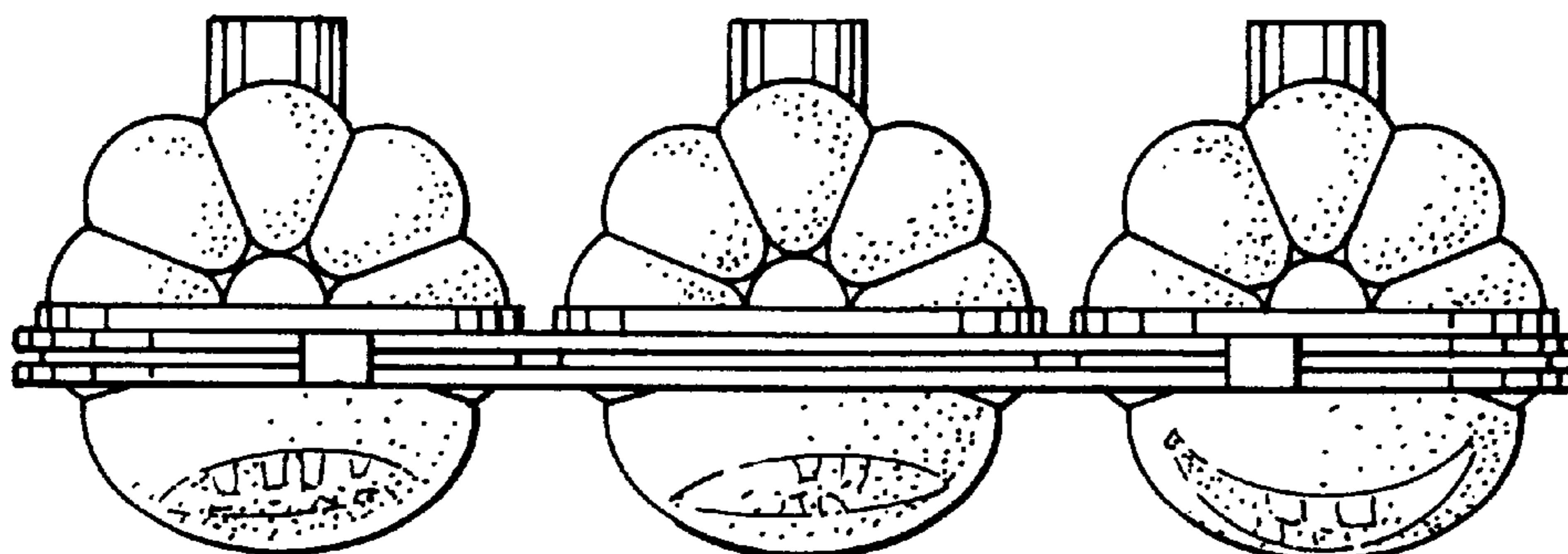


FIG. 7