



US00D420864S

United States Patent [19]
Kenney et al.

[11] **Patent Number: Des. 420,864**

[45] **Date of Patent: ** Feb. 22, 2000**

[54] **SIEVE**

[75] Inventors: **Alan Kenney**, Cambridge, United Kingdom; **Kenneth Oliver McCartney**, Hilden, Germany

[73] Assignee: **F. Kurt Retsch GmbH & Co. KG**, Haan, Germany

[**] Term: **14 Years**

[21] Appl. No.: **29/094,806**

[22] Filed: **Oct. 9, 1998**

[30] **Foreign Application Priority Data**

Apr. 9, 1998 [GB] United Kingdom 2073882

[51] **LOC (7) Cl.** **07-04**

[52] **U.S. Cl.** **D7/667**

[58] **Field of Search** D7/667, 668, 400; 210/464, 470, 473, 498, 499

[56] **References Cited**

U.S. PATENT DOCUMENTS

| | | | |
|------------|--------|---------------|----------|
| D. 185,399 | 6/1959 | Tupper | D7/667 |
| D. 272,222 | 1/1984 | Cho | D7/667 |
| D. 391,440 | 3/1998 | Cousins | D7/667 X |
| 4,452,581 | 6/1984 | Panchal | 210/469 |

Primary Examiner—Terry A. Wallace
Attorney, Agent, or Firm—Robert W. Becker & Associates

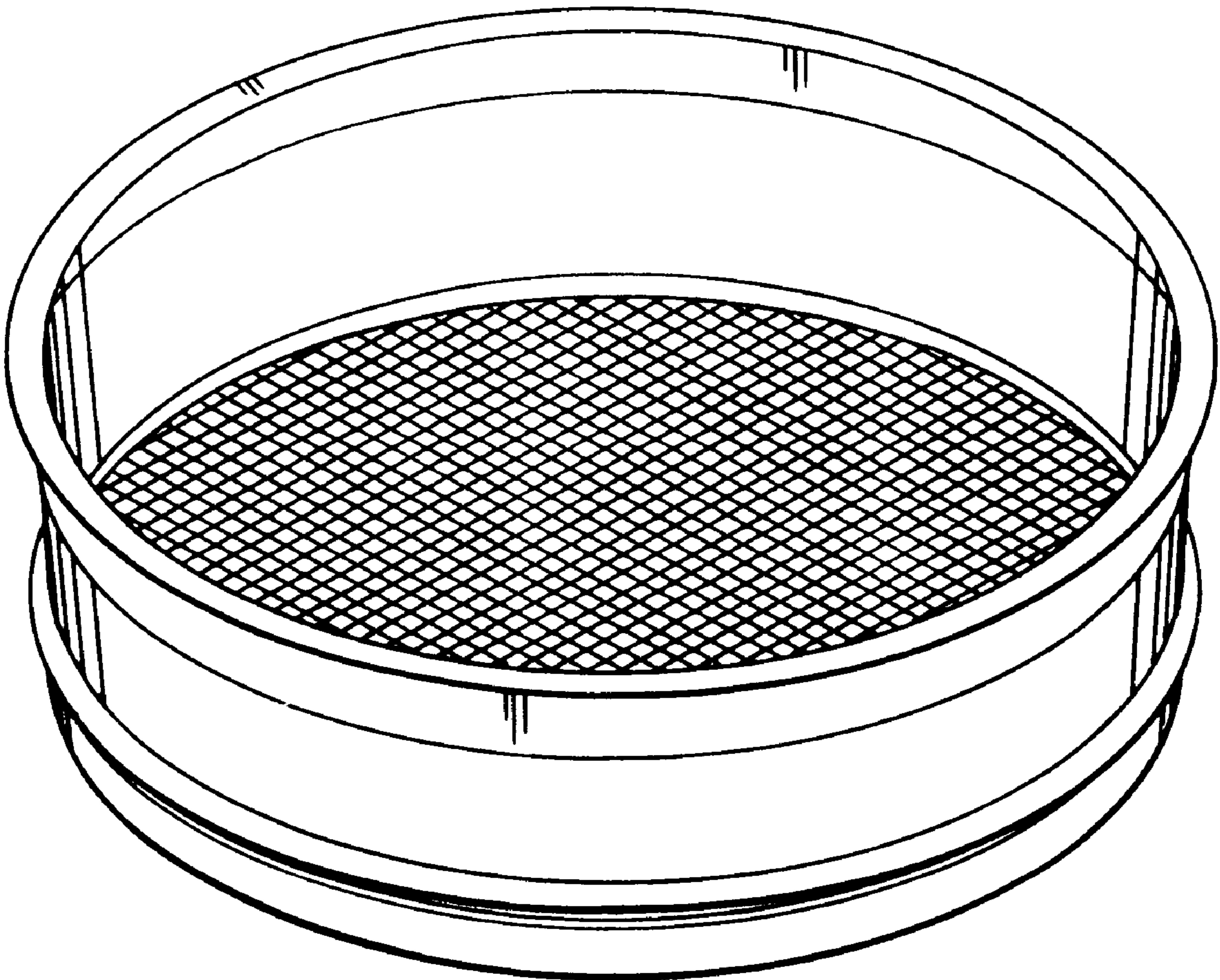
[57] **CLAIM**

The ornamental design for a sieve, as shown.

DESCRIPTION

FIG. 1 is a perspective view of a sieve showing our new design;
FIG. 2 is an enlarged side elevation view thereof;
FIG. 3 is an enlarged top plan view thereof; and,
FIG. 4 is an enlarged bottom plan view thereof.

1 Claim, 4 Drawing Sheets



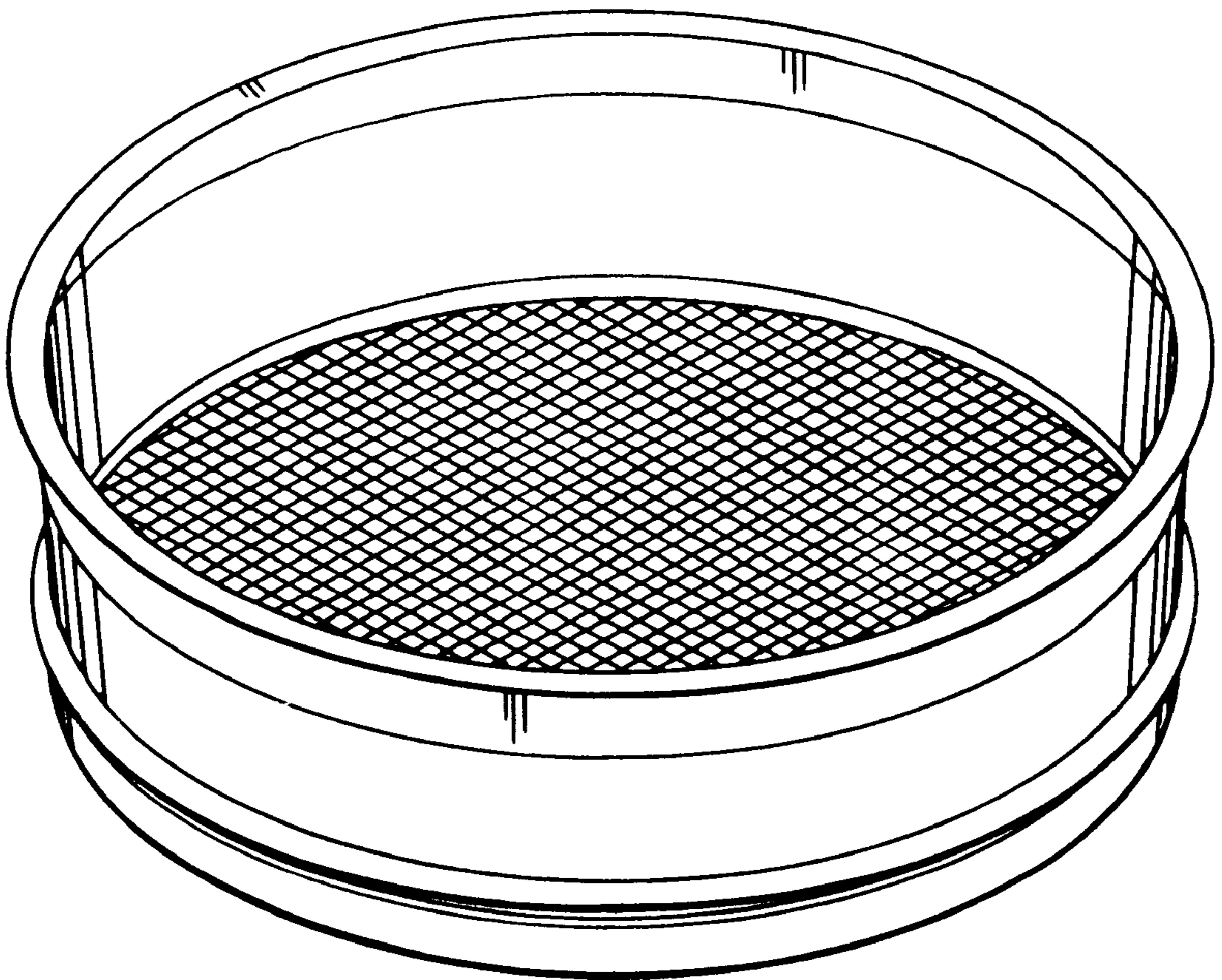


FIG-1

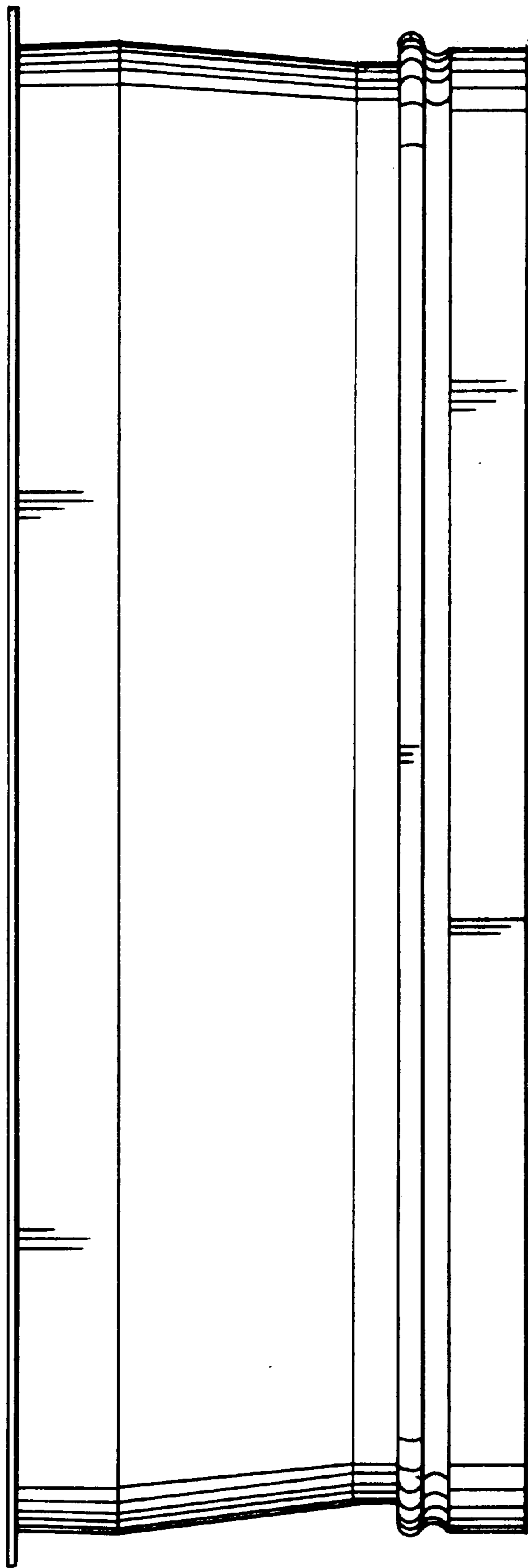


FIG-2

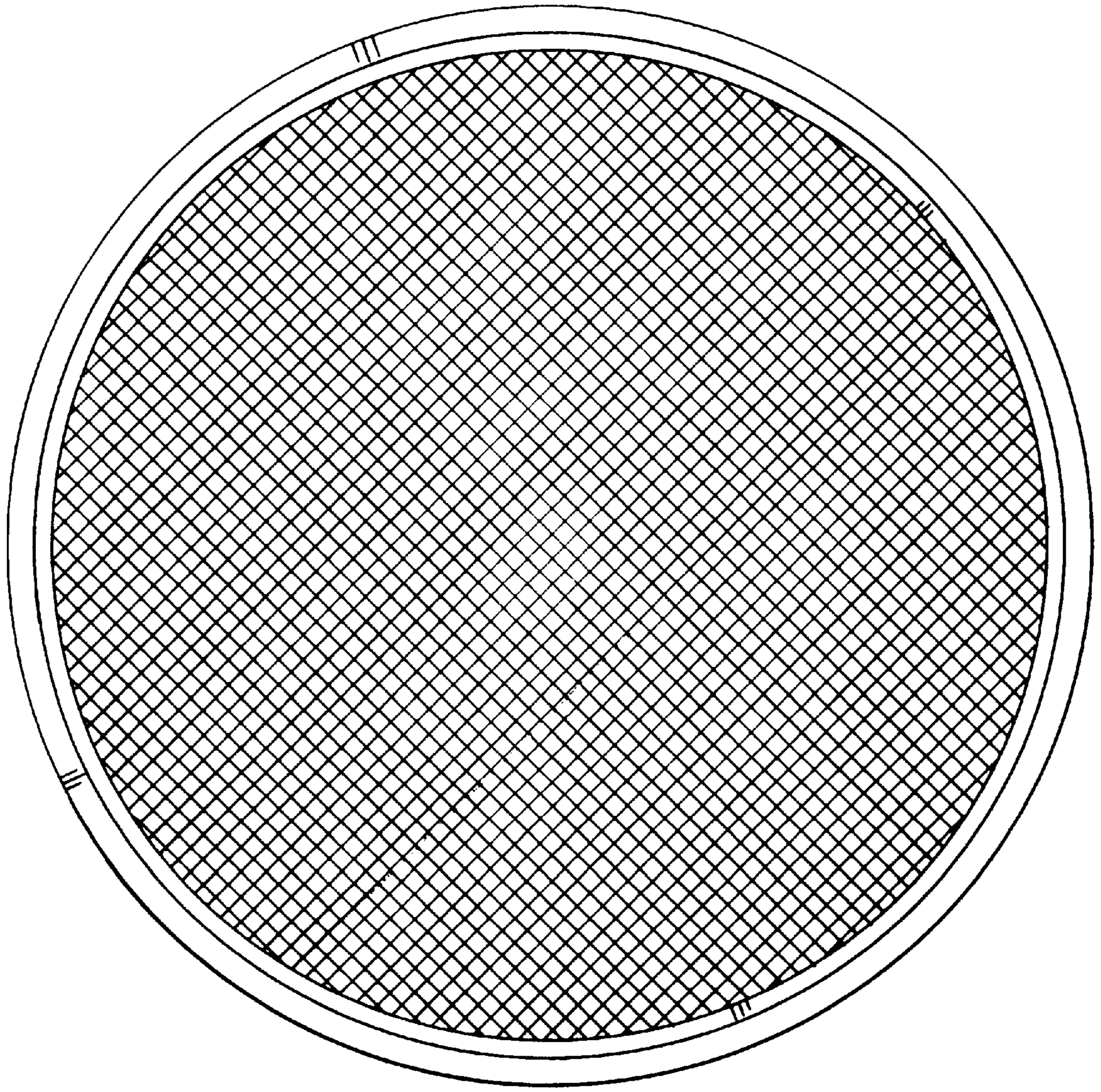


FIG-3



FIG-4