



US00D420862S

United States Patent [19]
Blaise

[11] **Patent Number: Des. 420,862**

[45] **Date of Patent: ** Feb. 22, 2000**

[54] **VEGETABLE MILL**

[75] Inventor: **Nicolas Blaise**, Caen, France

[73] Assignee: **Moulinex S.A.**, Paris, France

[**] Term: **14 Years**

[21] Appl. No.: **29/097,964**

[22] Filed: **Dec. 17, 1998**

[30] **Foreign Application Priority Data**

Jun. 17, 1998 [FR] France 98 3651

[51] **LOC (7) Cl.** **07-04**

[52] **U.S. Cl.** **D7/665**

[58] **Field of Search** D7/665, 666, 673,
D7/381-384; 99/501, 503, 504, 511-513;
241/68, 79, 95

[56] **References Cited**

U.S. PATENT DOCUMENTS

D. 128,748 8/1941 Majewski, Jr. D7/665

D. 150,398 8/1948 Bergen et al. D7/665
2,269,853 1/1942 Knapp 99/501
3,159,193 12/1964 Cabell 99/503

Primary Examiner—Terry A. Wallace
Attorney, Agent, or Firm—Young & Thompson

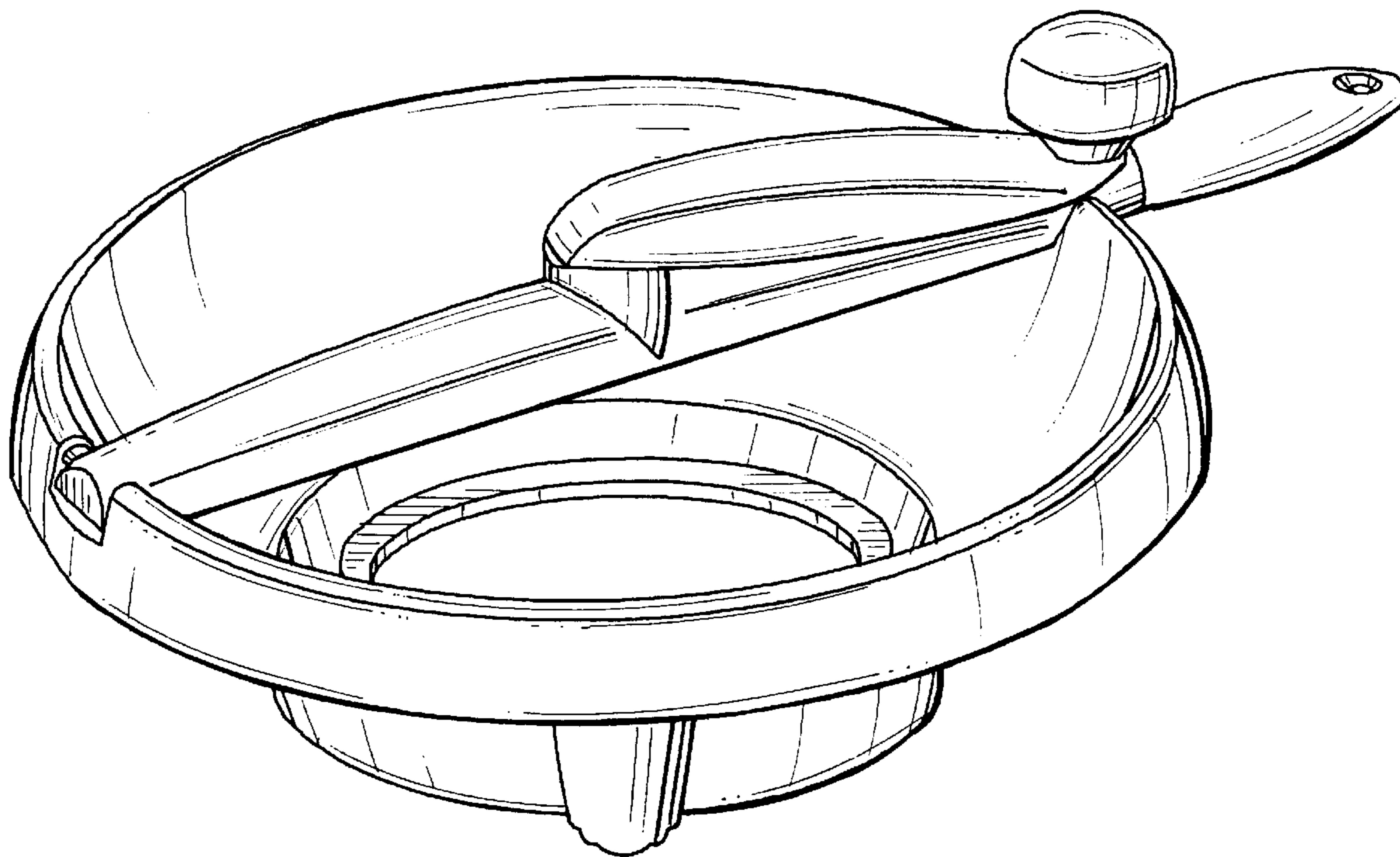
[57] **CLAIM**

The ornamental design for a vegetable mill, as shown and described.

DESCRIPTION

FIG. 1 is a top and side perspective view of a vegetable mill showing my new design;
FIG. 2 is a side elevational view thereof, the side opposite that shown in FIG. 2 being the mirror image thereof;
FIG. 3 is an elevational view thereof rotated 90° from the FIG. 2 position;
FIG. 4 is an elevational view thereof from the side opposite that shown in FIG. 3;
FIG. 5 is a top plan view thereof; and,
FIG. 6 is a bottom plan view thereof.

1 Claim, 5 Drawing Sheets



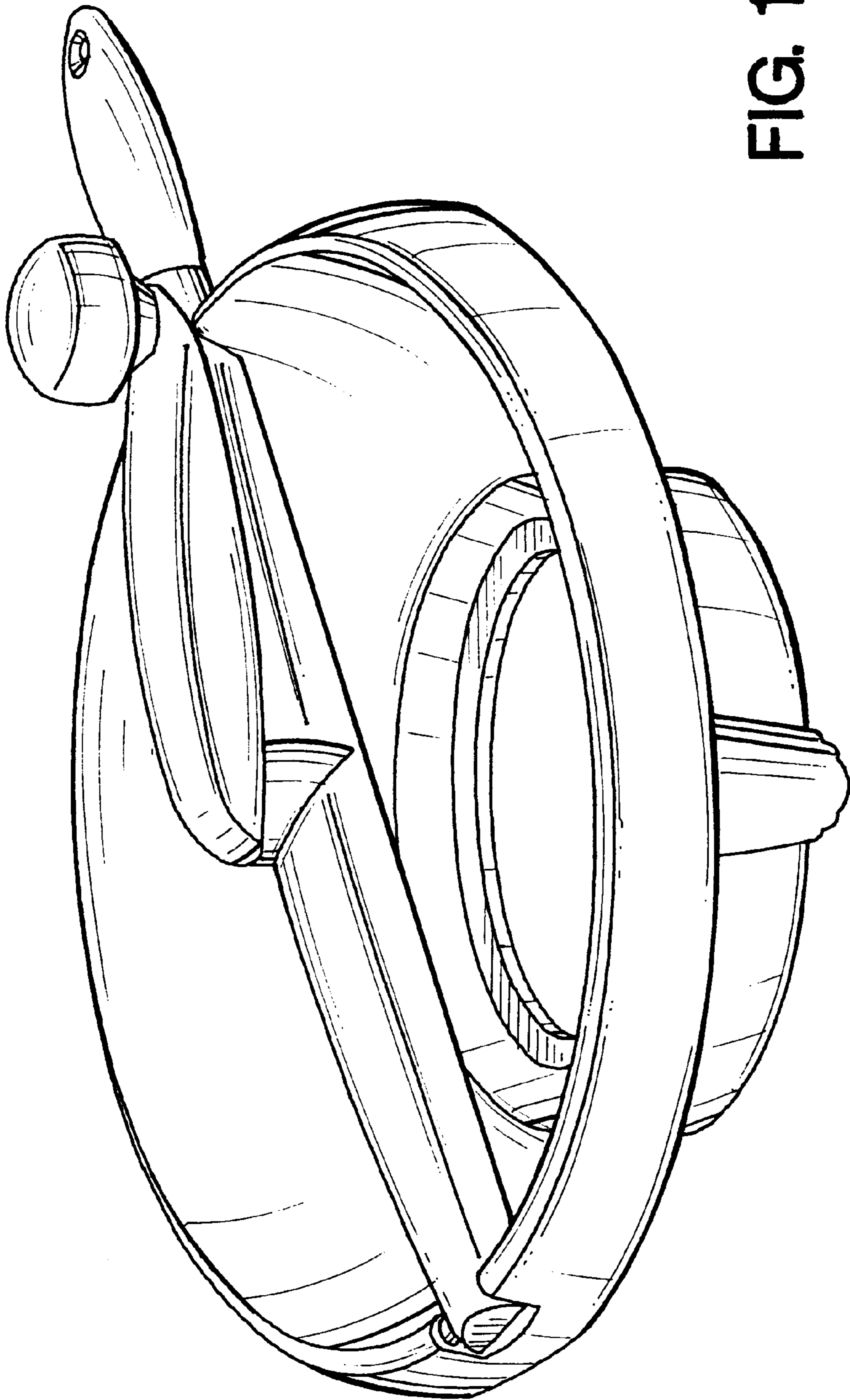


FIG. 1

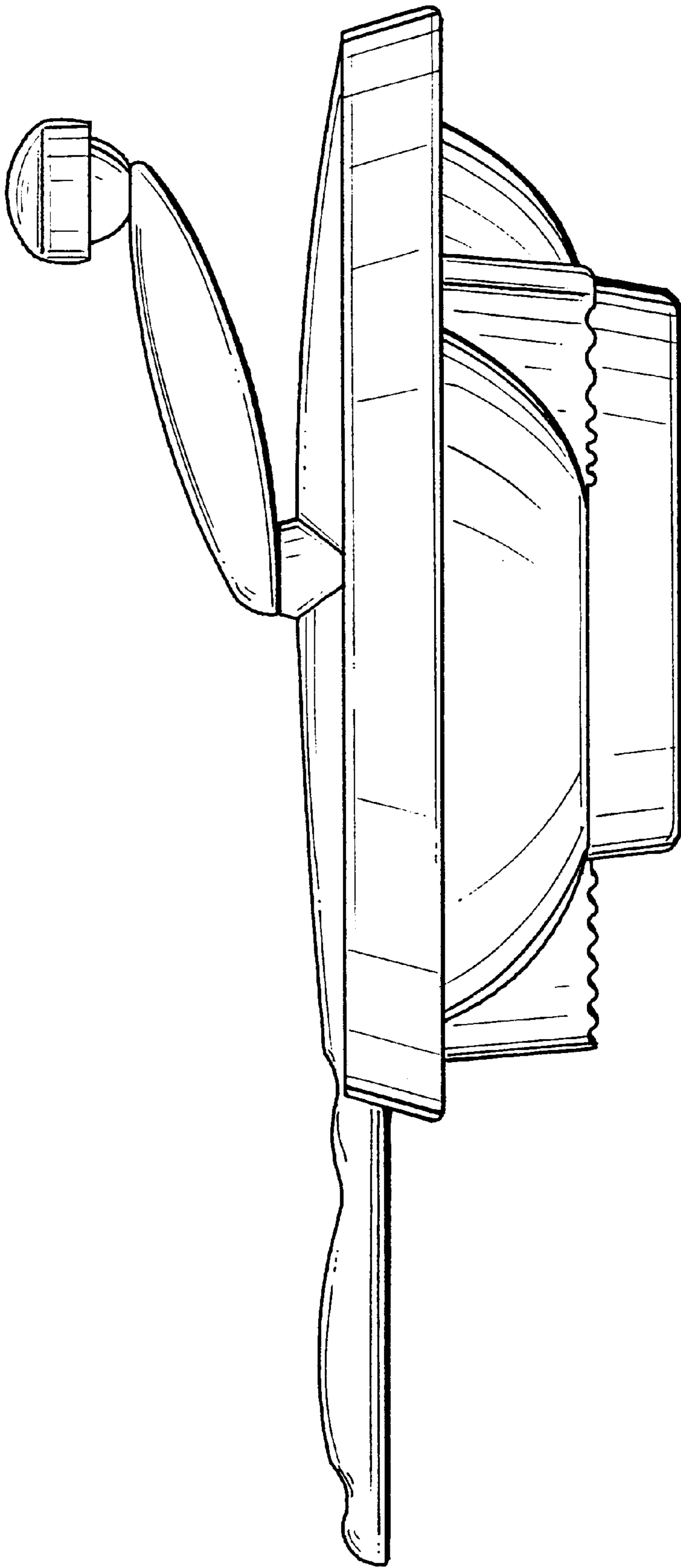


FIG. 2

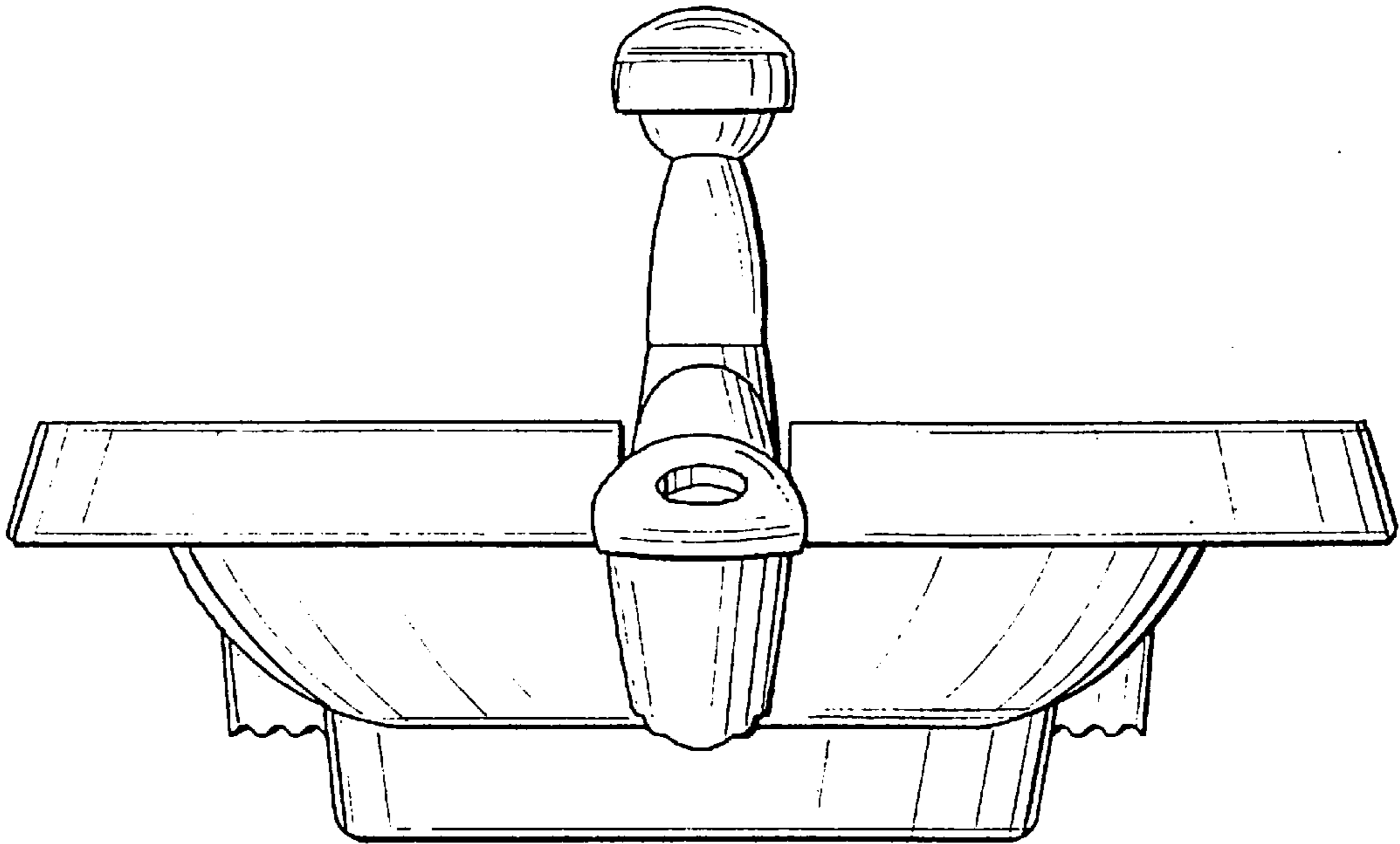


FIG. 3

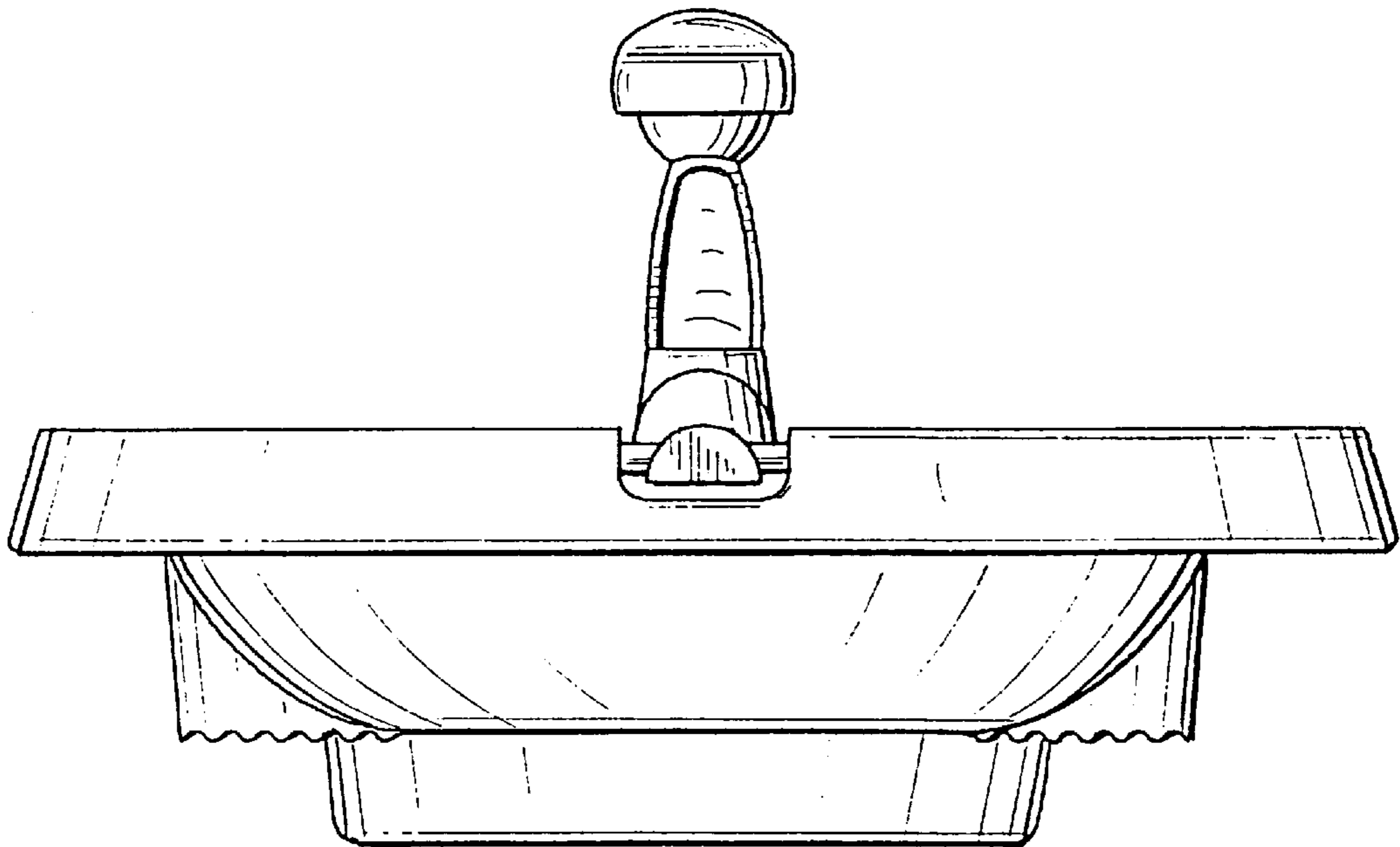


FIG. 4

FIG. 5

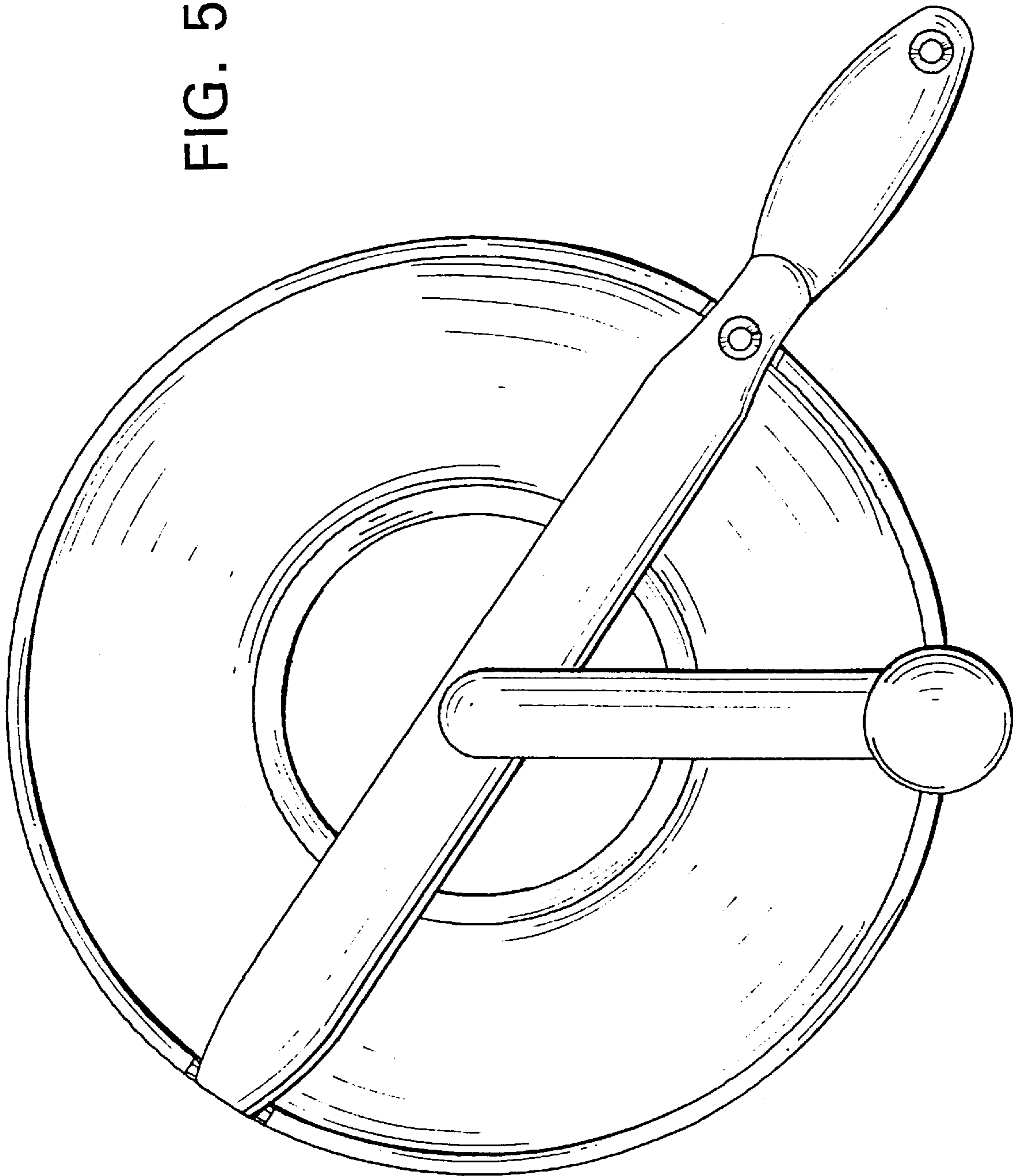


FIG. 6

