



US00D420860S

**United States Patent** [19]  
**Golichowski et al.**

[11] **Patent Number: Des. 420,860**  
[45] **Date of Patent: \*\* Feb. 22, 2000**

[54] **INSULATED CONTAINER**

[75] Inventors: **Gary D. Golichowski**, Inwood, W. Va.;  
**William A. LaFollette, Jr.**; **Donald C. Presnell**, both of Stephens City, Va.;  
**Harold E. Ruckman**, Winchester, Va.

[73] Assignee: **Rubbermaid Commercial Products LLC**, Winchester, Va.

[\*\*] Term: **14 Years**

[21] Appl. No.: **29/105,255**

[22] Filed: **May 18, 1999**

[51] **LOC (7) Cl.** ..... **07-07**

[52] **U.S. Cl.** ..... **D7/605**

[58] **Field of Search** ..... D7/605-607; D3/273,  
D3/274; 62/457.1, 457.7, 371, 372; 220/915.1,  
915.2

[56] **References Cited**

**U.S. PATENT DOCUMENTS**

D. 197,814	3/1964	Piker et al. .	
D. 211,859	8/1968	Tishuk .....	D9/224
D. 232,798	9/1974	Roche .	
D. 234,616	3/1975	Meyers .	
D. 237,135	10/1975	Wiant et al. .	
D. 239,249	3/1976	Branscum .	
D. 244,822	6/1977	Havely et al. .	
D. 257,934	1/1981	Buss .	
D. 259,232	5/1981	Tarozzi .	
D. 268,979	5/1983	Ruxton .	
D. 269,398	6/1983	Ruxton .	
D. 322,198	12/1991	Dringenburg .....	D7/605
D. 324,154	2/1992	Embree .....	D7/605
D. 325,323	4/1992	Kahl .....	D7/605
D. 325,324	4/1992	Kahl .....	D7/605
D. 325,853	5/1992	Kahl .....	D7/605
D. 328,221	7/1992	Piccarillo .....	D7/605
D. 328,689	8/1992	Riskowski .....	D7/605
D. 337,232	7/1993	Kahl et al. ....	D7/605
D. 340,620	10/1993	Peters .....	D7/605
D. 341,060	11/1993	Litt et al. ....	D7/605
D. 350,048	8/1994	Kahl et al. ....	D7/605
D. 350,459	9/1994	Blackwell et al. ....	D7/605
D. 352,208	11/1994	Brookshire .....	D7/605

D. 353,304	12/1994	Friedrich .....	D7/605
D. 354,419	1/1995	Kahl et al. ....	D7/605
D. 366,599	1/1996	Brown et al. ....	D7/605
D. 370,159	5/1996	Fenton et al. ....	D7/605
D. 371,056	6/1996	Sullivan .....	D7/709
D. 375,022	10/1996	Smith .....	D7/605
D. 387,626	12/1997	Melk .....	D7/605
D. 397,585	9/1998	Rausch et al. ....	D7/605
D. 398,816	9/1998	Koutsouflakis .....	D7/605
D. 403,925	1/1999	Moffett, III .....	D7/605
D. 407,609	4/1999	Rausch .....	D7/605
3,057,508	10/1962	Kimbrough, Jr. ....	220/55.7
3,232,491	2/1966	Hunt .....	222/134
3,591,194	7/1971	Bega .....	280/47.26
3,791,547	2/1974	Branscum .....	220/17
3,987,829	10/1976	Leone .....	150/0.5
4,024,731	5/1977	Branscum .....	62/457
4,068,779	1/1978	Canfield .....	220/94
4,351,165	9/1982	Gottsegen et al. ....	62/371
4,502,715	3/1985	Lundblade .....	292/78
4,696,412	9/1987	McGowan et al. ....	220/335
4,846,493	7/1989	Mason .....	280/641
4,873,841	10/1989	Bradshaw et al. ....	62/239
5,011,013	4/1991	Meisner et al. ....	206/373
5,040,834	8/1991	Kahl et al. ....	292/204
5,249,438	10/1993	Rhaney et al. ....	62/457.7
5,259,215	11/1993	Rocca .....	62/371
5,301,508	4/1994	Kahl et al. ....	62/3.62
5,313,817	5/1994	Meinders .....	62/457.1
5,373,708	12/1994	Dumoulin, Jr. ....	62/457.7
5,683,097	11/1997	Fenton et al. ....	280/655.1
5,803,472	9/1998	Lien .....	280/47.26
5,816,433	10/1998	Higgins .....	220/534

**OTHER PUBLICATIONS**

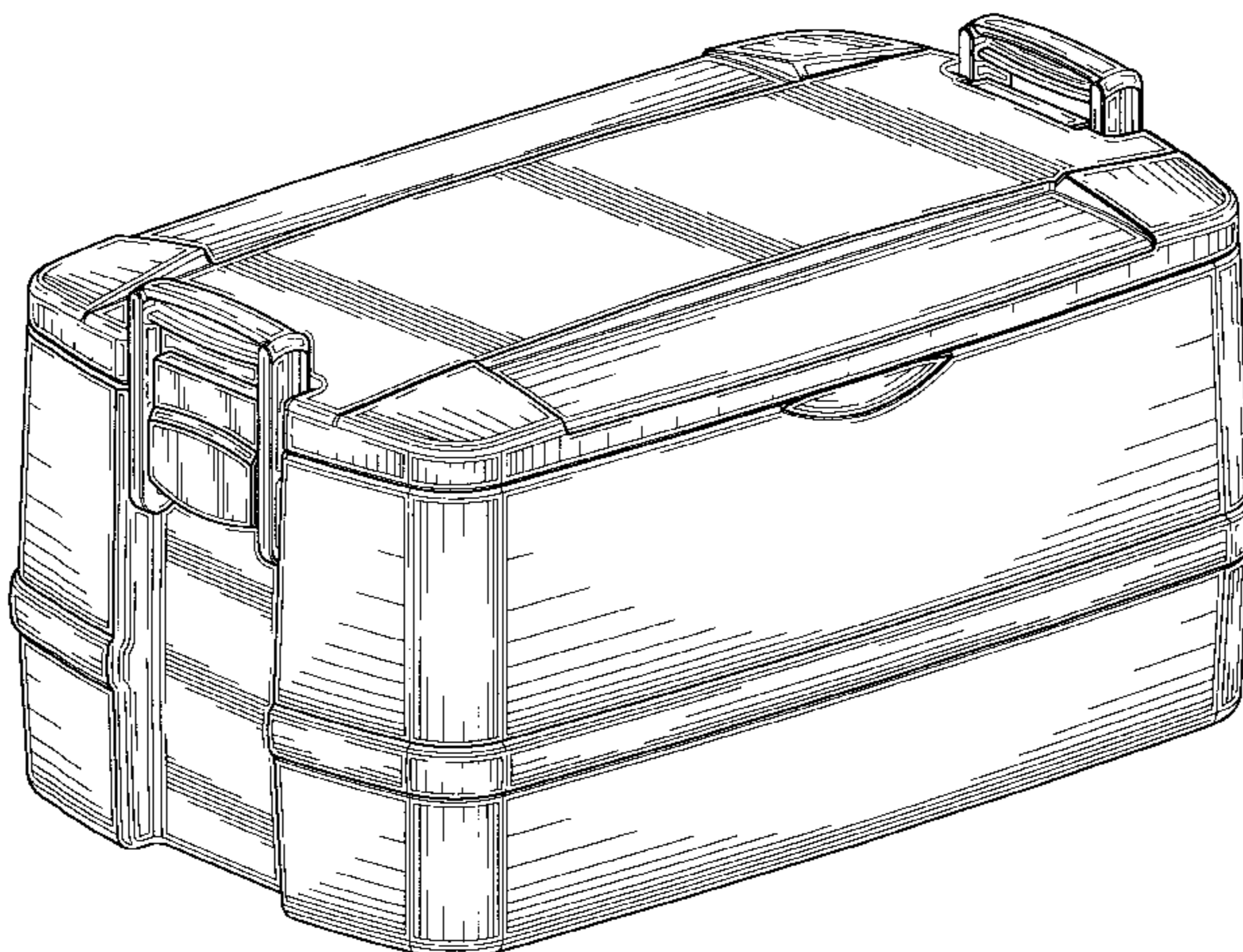
P. 27, Insulated containers; Igloo Products Corp., P. O. Box 19322, Houston, Texas 77224-9322. Publication date Oct. 1, 1994.

Pp. 10, 11, 13, 15 and 19, Insulated containers; Igloo Products Corp., P. O. Box 19322, Houston, Texas 77224-9322. Publication date 1985.

Brochure page, Insulated container; Igloo Products Corp., P. O. Box 19322, Houston, Texas 77224-9322. Publication date 1991.

P. 4, Insulated container; Igloo Products Corp., P. O. Box 19322, Houston, Texas 77224-9322. Publication date 1994.

Pp. 43, 45, 47, 48, 49, 51 and 52, Insulated containers; The Coleman Company, 250 North St. Francis, Wichita, Kansas 67202. Publication date 1994.



P. 10 and 11, Insulated containers; The Coleman Company, 250 North St. Francis, Wichita, Kansas 67202. Publication at least as early as Jul. 25, 1989.

Catalog page, Insulated containers; The Coleman Company, 250 North St. Francis, Wichita, Kansas 67202. Publication date 1988.

Sell sheet, Insulated containers; Bee Plastics Corp., 2660 North Clybourne Avenue, Chicago, Illinois 60614. Publication date 1975.

Sell Sheet, Insulated containers; Bee Plastics Corp., 2660 North Clybourne Avenue, Chicago, Illinois 60614. Publication date 1975.

Sell sheet, Insulated containers; Bee Plastics Corp., 2660 North Clybourne Avenue, Chicago, Illinois 60614. Publication date 1975.

Sell Sheet, Insulated containers; Bee Plastics Corp., 2660 North Clybourne Avenue, Chicago, Illinois 60614. Publication date 1975.

Sell sheet, Insulated containers; Bee Plastics Corp., 2660 North Clybourne Avenue, Chicago, Illinois 60614. Publication date 1975.

Pp. 6 and 7, Insulated containers; Fremont Plastic Molds, Ltd., 478 West State Street, P.O. Box 505, Fremont, Ohio 43420. Publication date 1987.

Pp. 10, 12 and 13, Insulated containers; Rubbermaid Incorporated, 1147 Akron Road, Wooster, Ohio 44691. Publication date 1991.

*Primary Examiner*—Terry A. Wallace  
*Attorney, Agent, or Firm*—Richard B. O'Planick

[57] **CLAIM**

The ornamental design for an insulated container, as shown and described.

**DESCRIPTION**

FIG. 1 is a top left front perspective view of an insulated container showing our new design;

FIG. 2 is a front elevational view thereof; the rear elevational view being a mirror image;

FIG. 3 is a right side elevational view thereof; the left side elevational view being a mirror image;

FIG. 4 is a top plan view thereof; and,

FIG. 5 is a bottom plan view thereof.

**1 Claim, 5 Drawing Sheets**

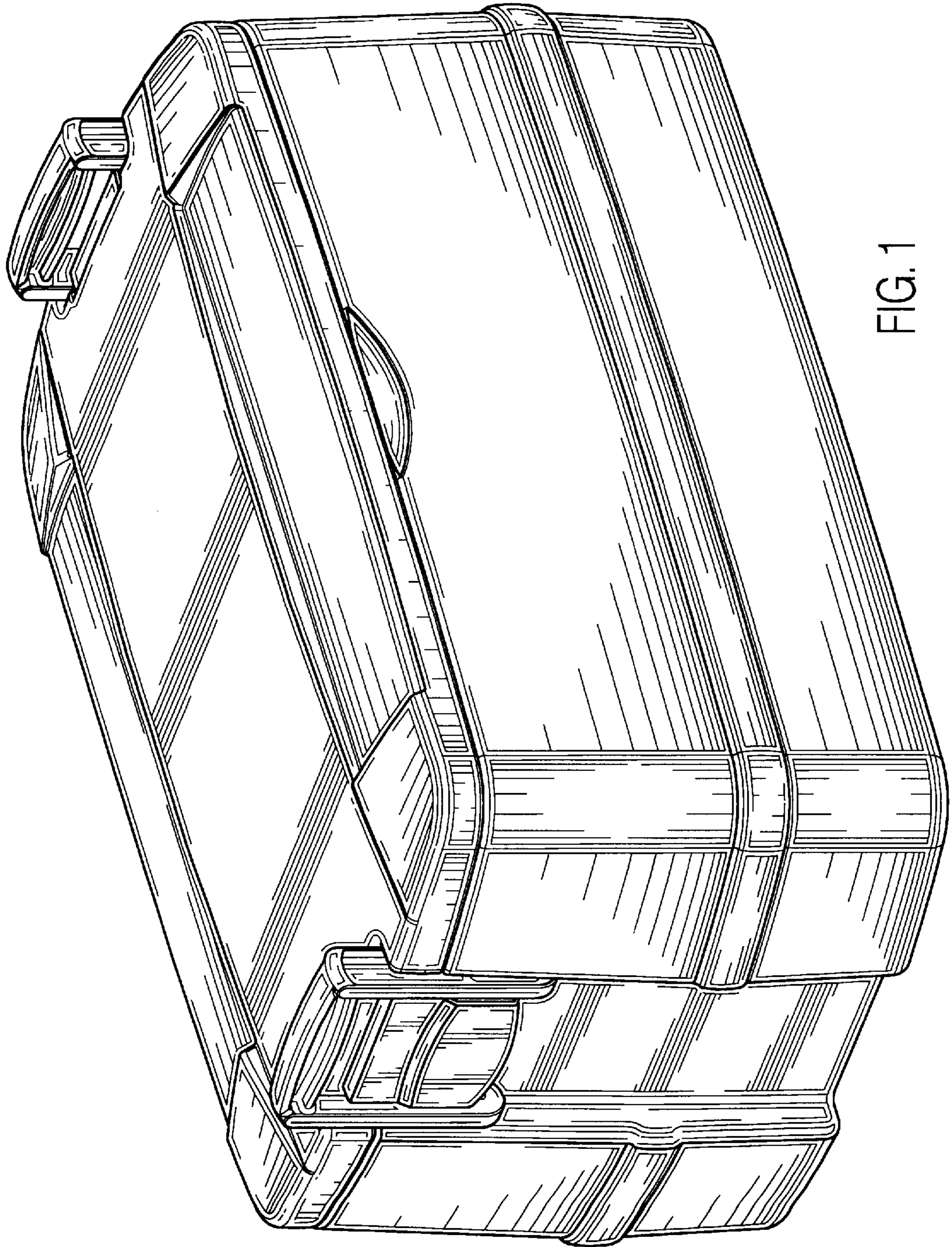


FIG. 1



FIG. 2

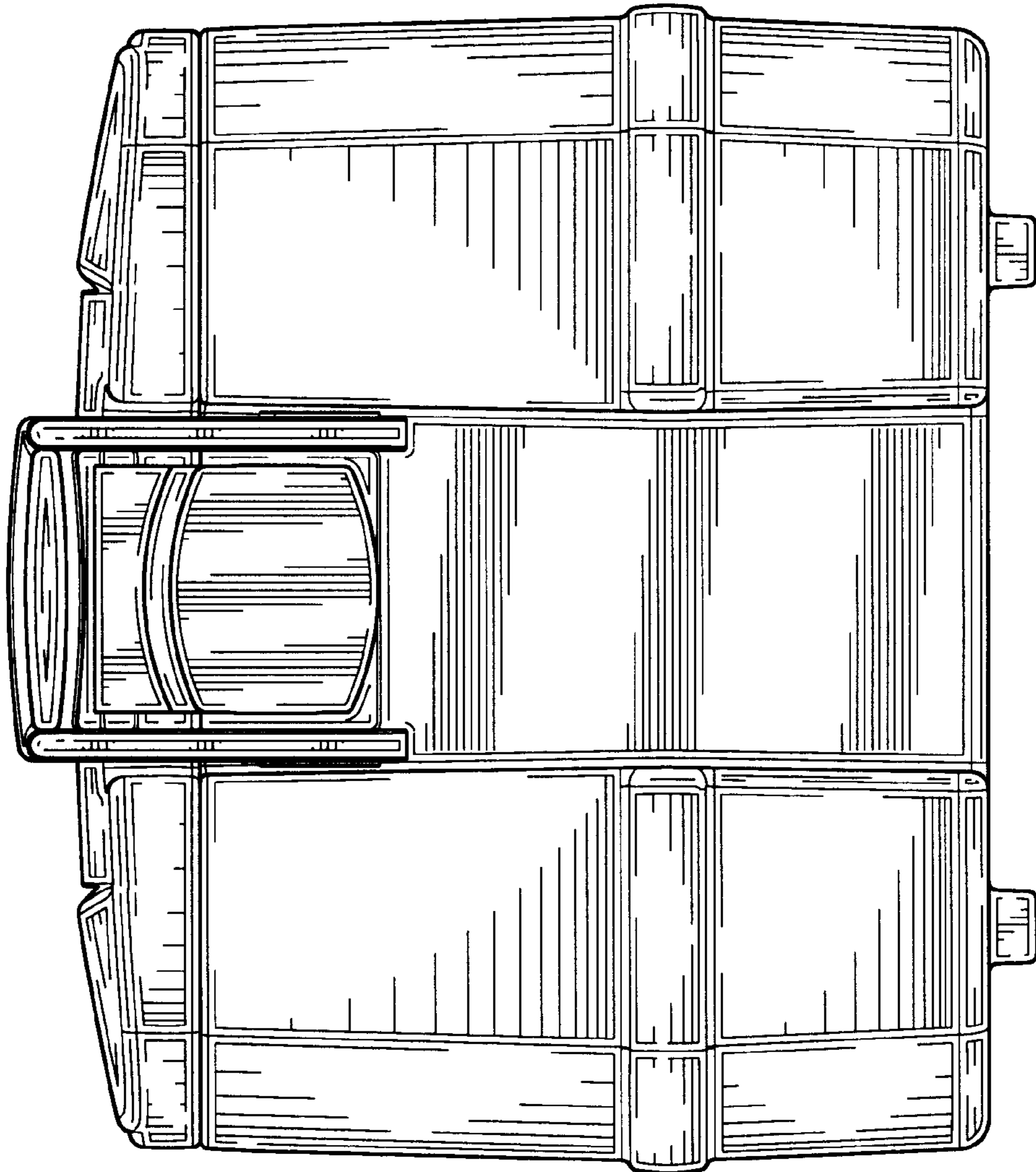


FIG. 3

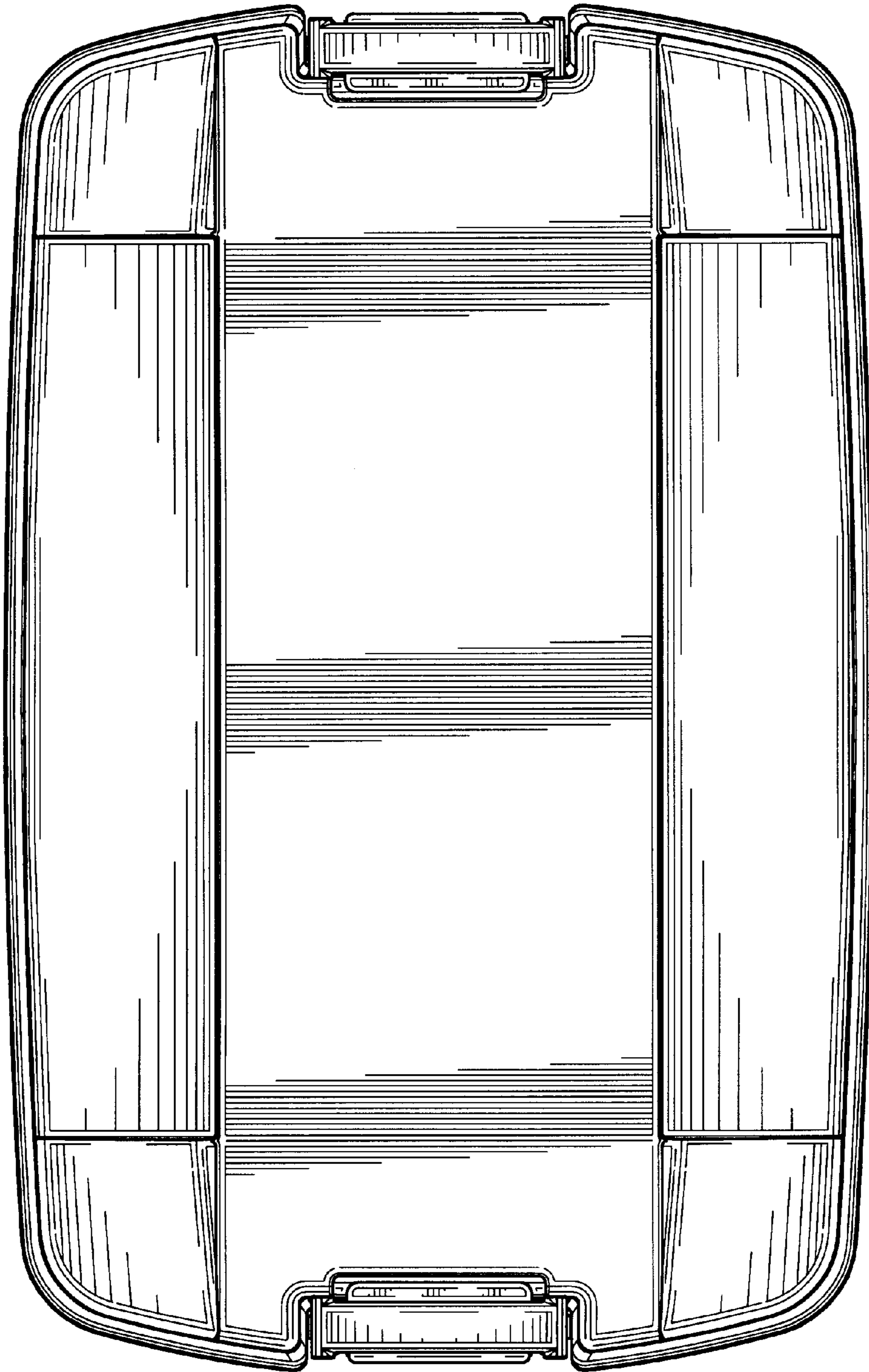


FIG. 4

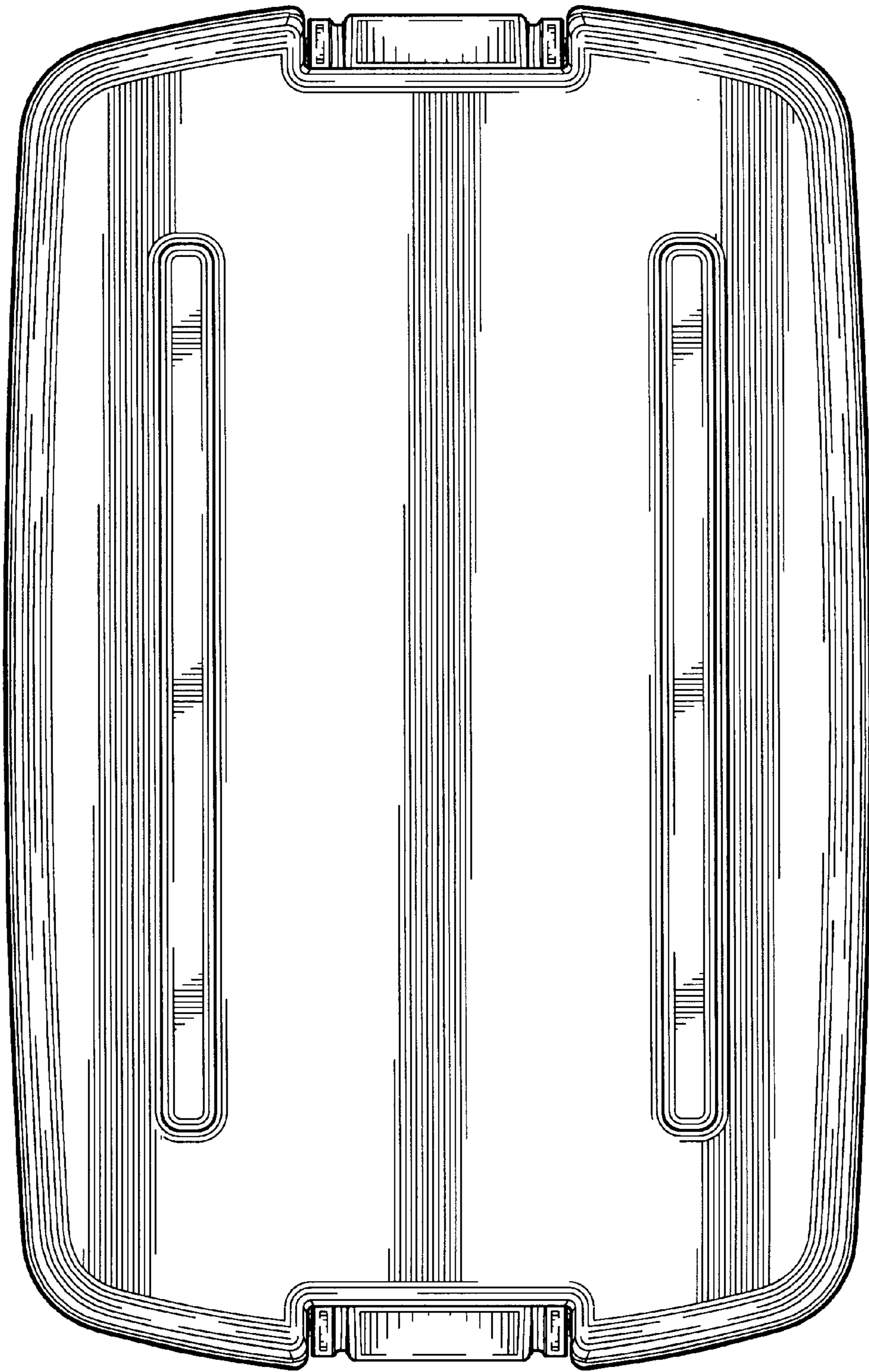


FIG. 5