



US00D420858S

United States Patent [19] Rapaz

[11] **Patent Number: Des. 420,858**

[45] **Date of Patent: ** Feb. 22, 2000**

[54] **CONDIMENT RECEPTACLE**

4,832,095 5/1989 Bonnell 141/106
5,269,354 12/1993 Koberg 141/106

[76] Inventor: **Antonio M. Rapaz**, 9498 Tupper Street, Chilliwack, British Columbia, Canada, V2P 4G4

Primary Examiner—Terry A. Wallace
Attorney, Agent, or Firm—Oyen Wiggs Green & Mutala

[**] Term: **14 Years**

[57] **CLAIM**

[21] Appl. No.: **29/093,996**

The ornamental design for a condiment receptacle, as shown and described.

[22] Filed: **Sep. 23, 1998**

DESCRIPTION

[51] **LOC (7) Cl.** **07-06**

FIG. 1 is a front isometric view of the applicant's condiment receptacle illustrating the new design;
FIG. 2 is a top plan view thereof;
FIG. 3 is a front elevational view thereof;
FIG. 4 is a right side elevational view thereof;
FIG. 5 is a bottom plan view thereof;
FIG. 6 is a rear elevational view thereof; and,
FIG. 7 is a left side elevational view thereof.

[52] **U.S. Cl.** **D7/590**

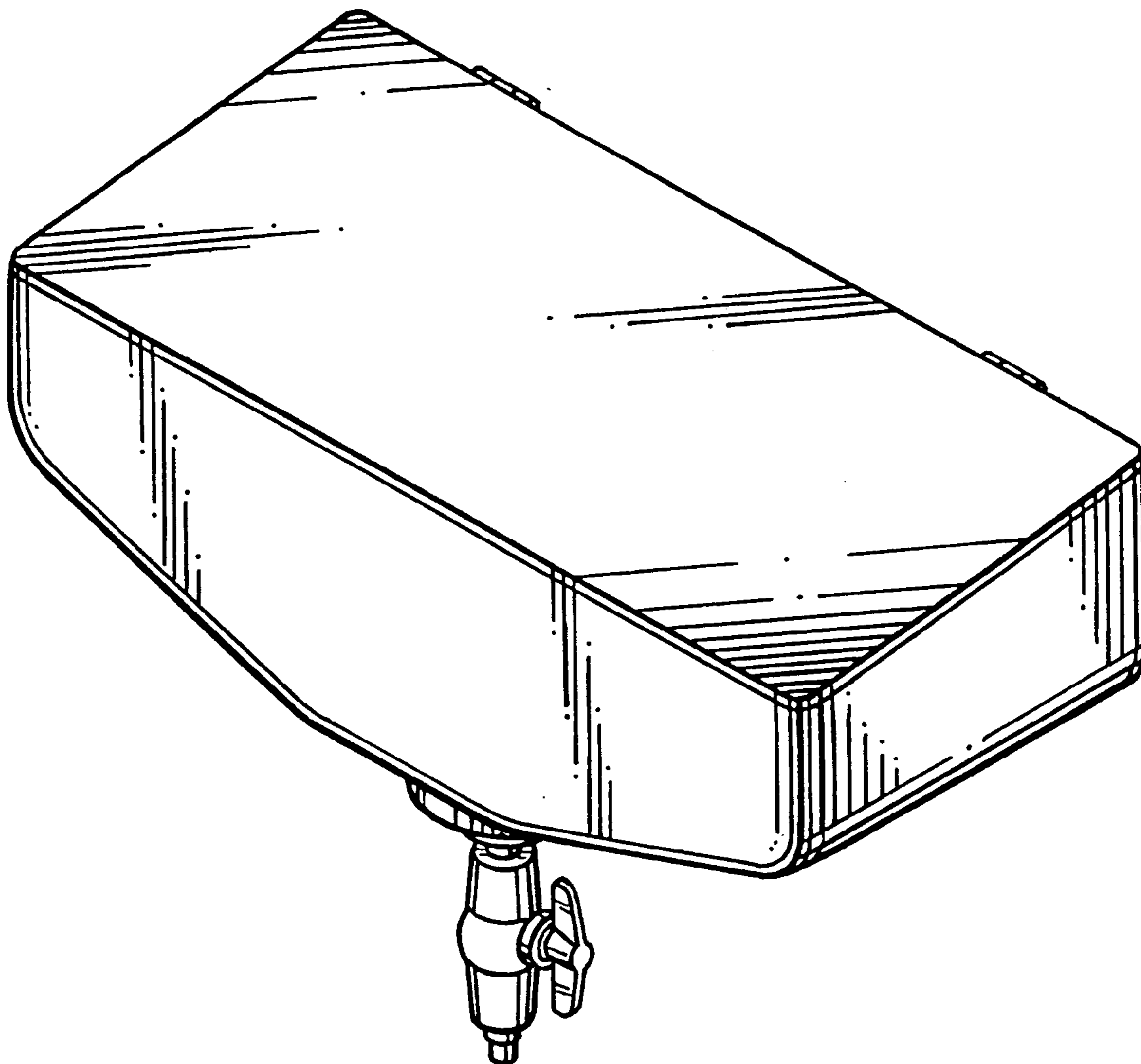
[58] **Field of Search** D7/305, 312, 313,
D7/589, 590, 700; 141/106, 364, 375

[56] **References Cited**

U.S. PATENT DOCUMENTS

D. 390,420 2/1998 Rapaz D7/590
4,665,958 5/1987 Holoway et al. 141/106

1 Claim, 2 Drawing Sheets



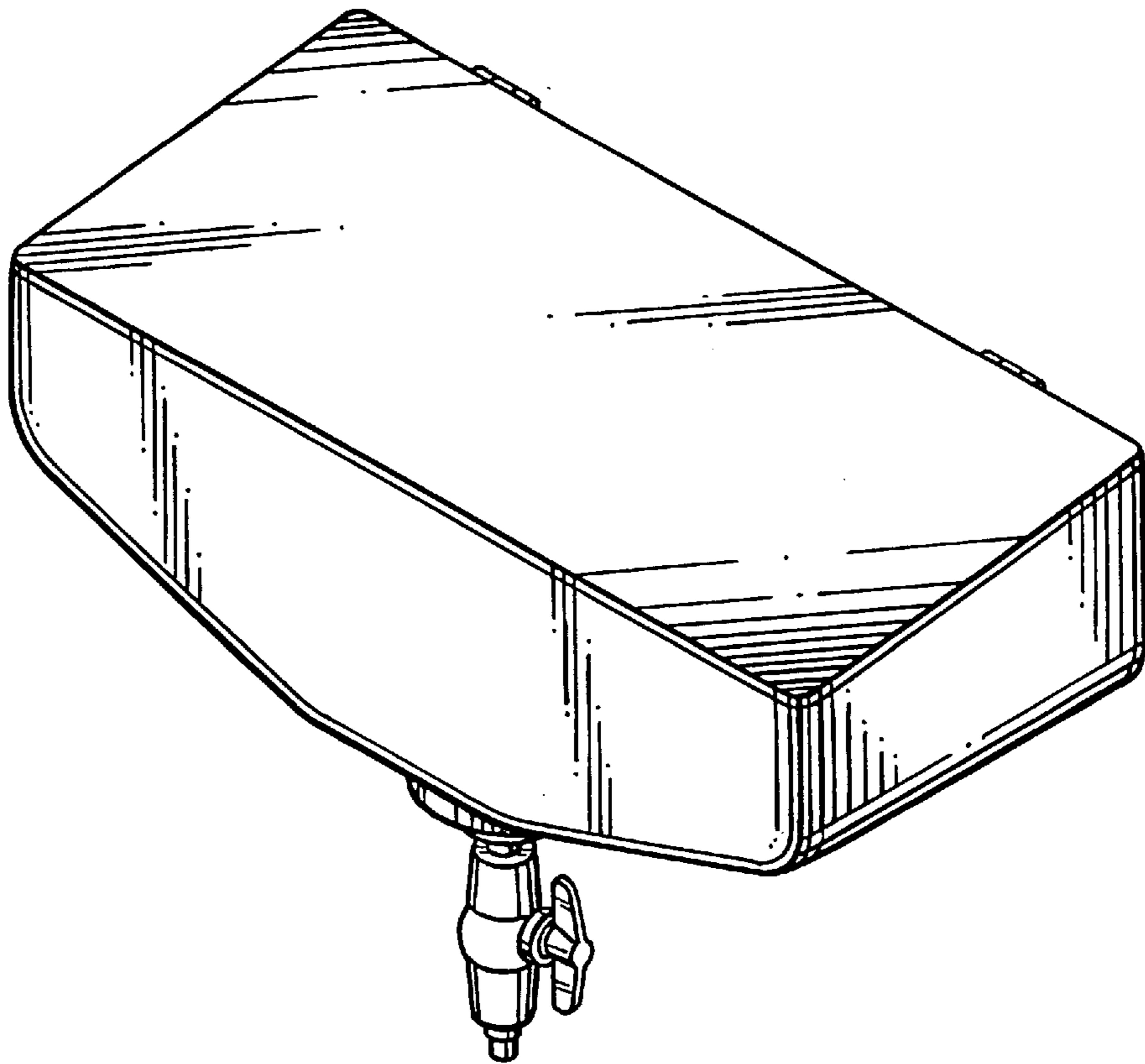


FIG. 1

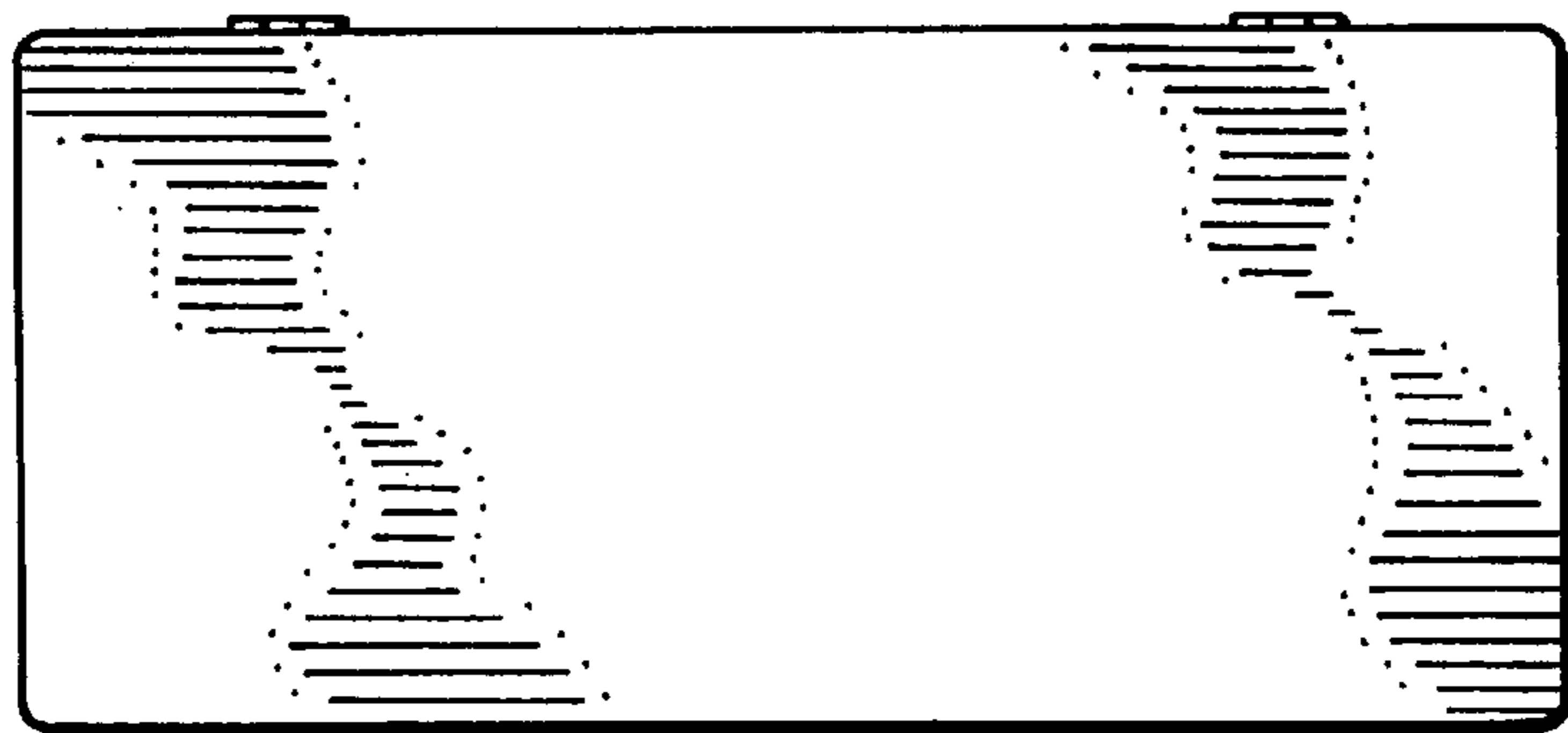


FIG. 2

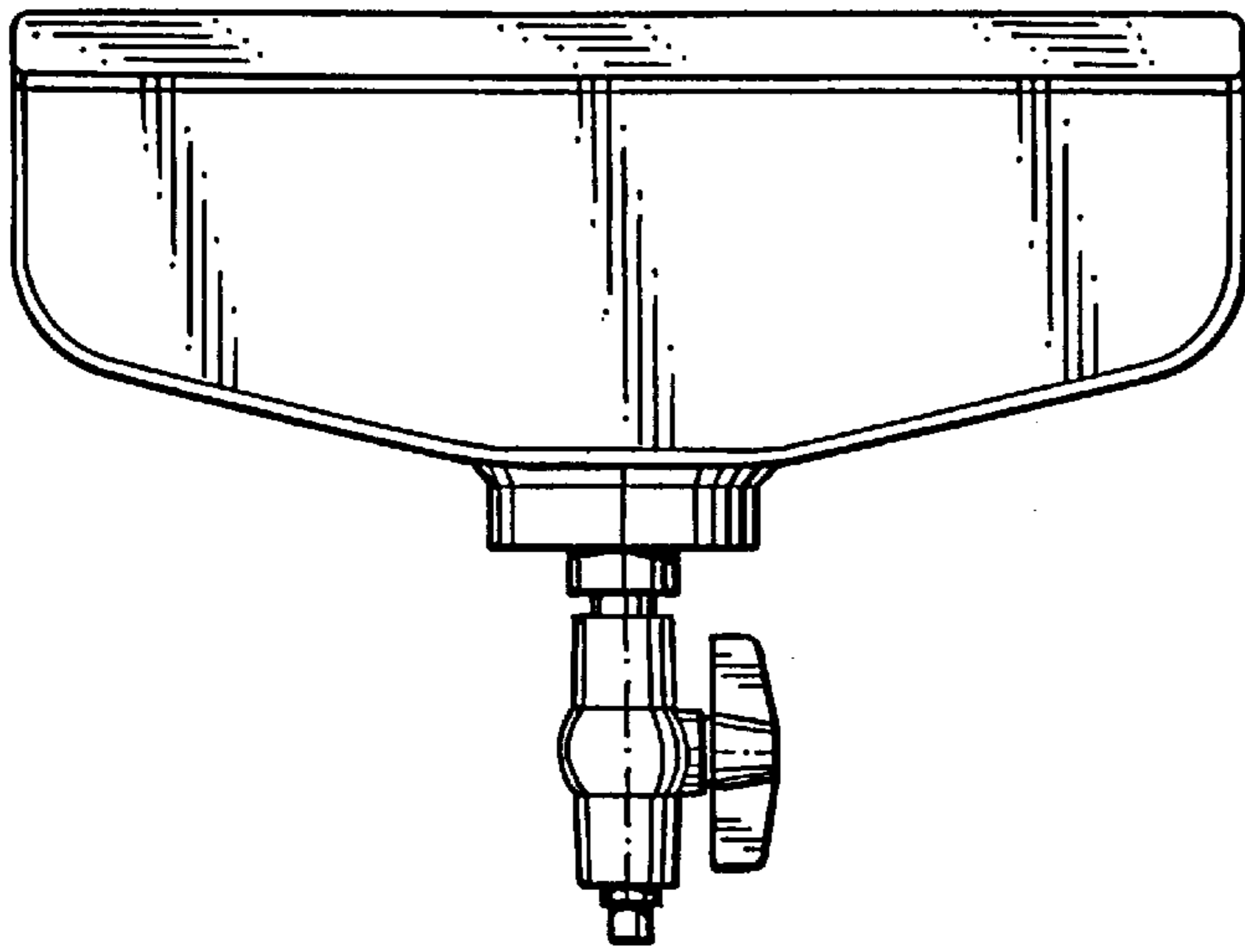


FIG. 3

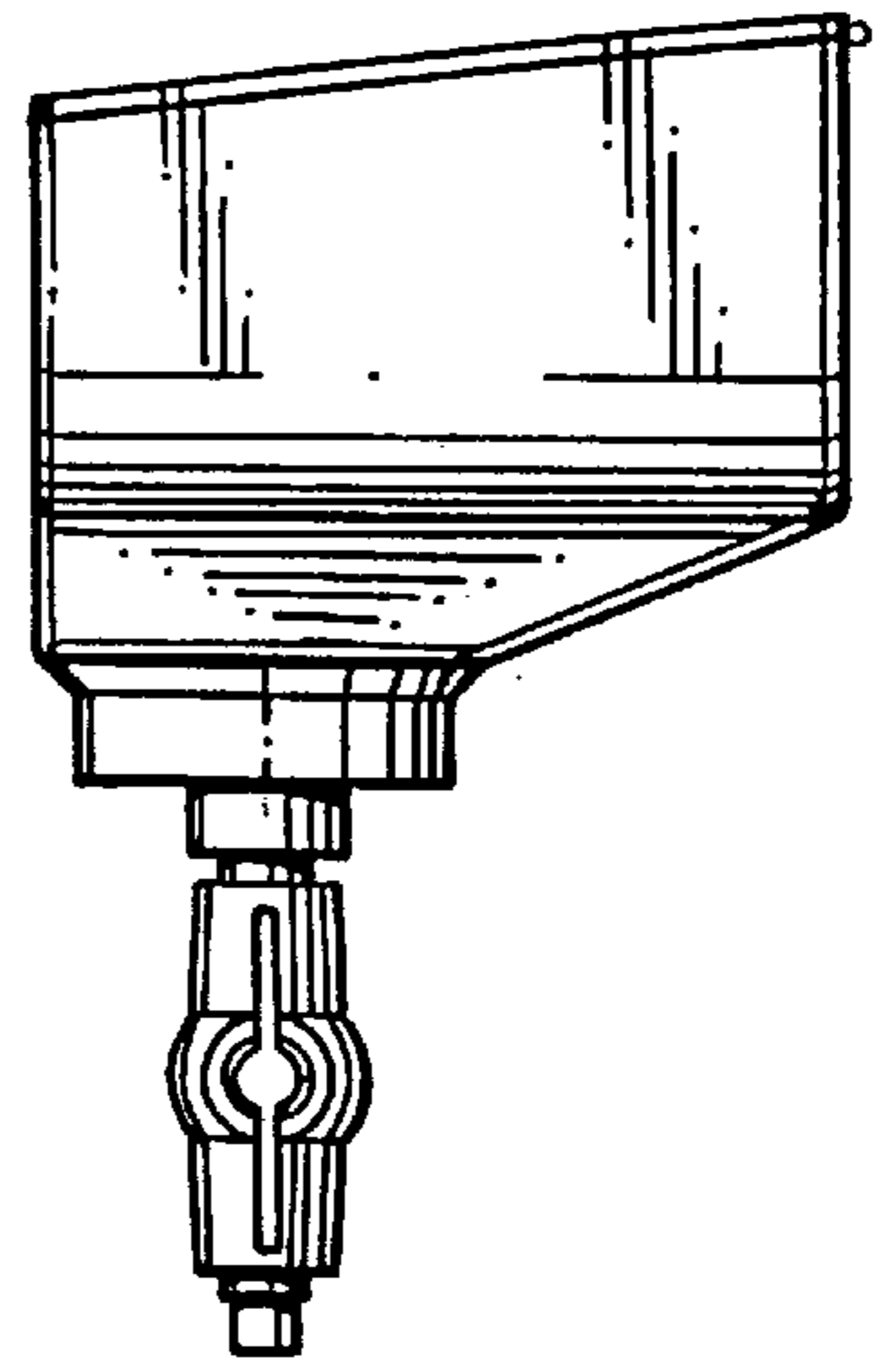


FIG. 4

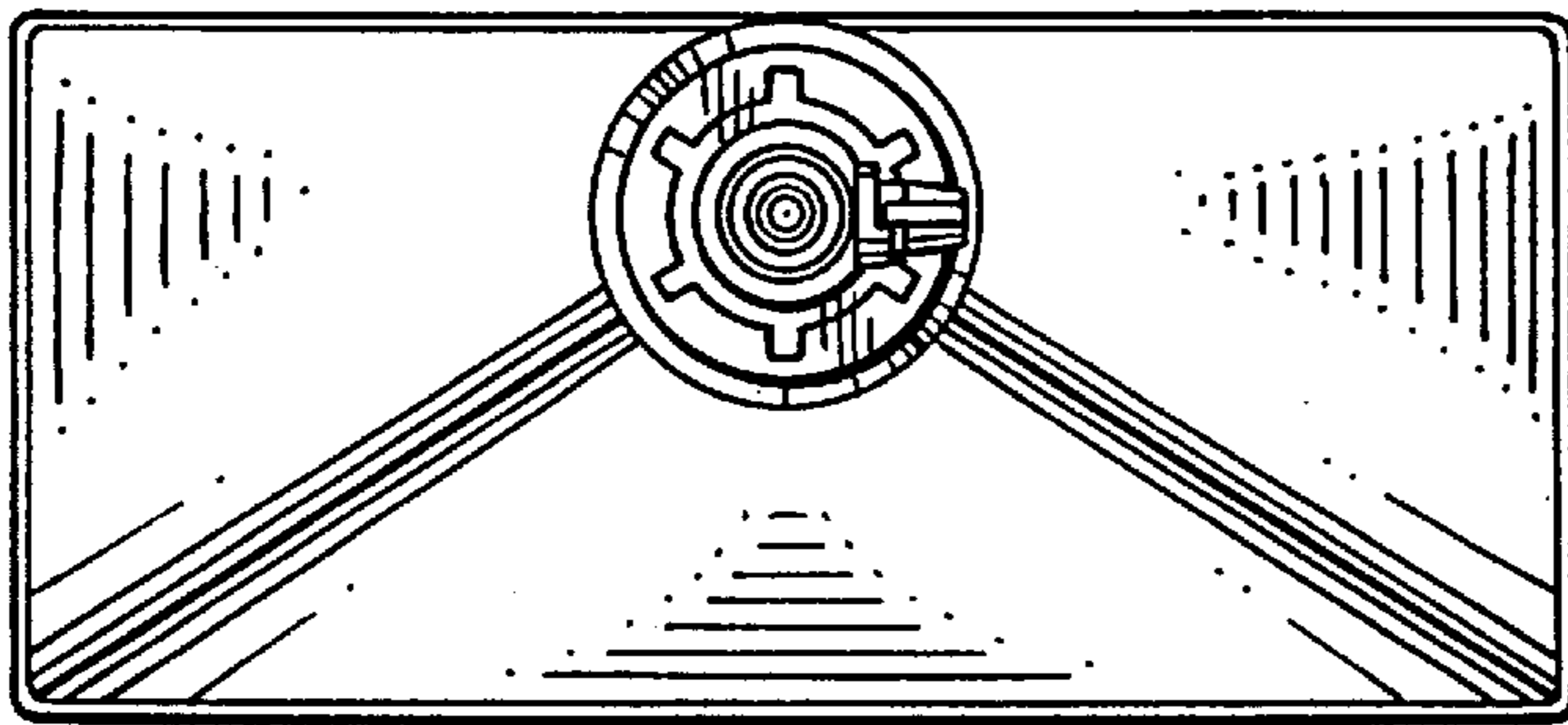


FIG. 5

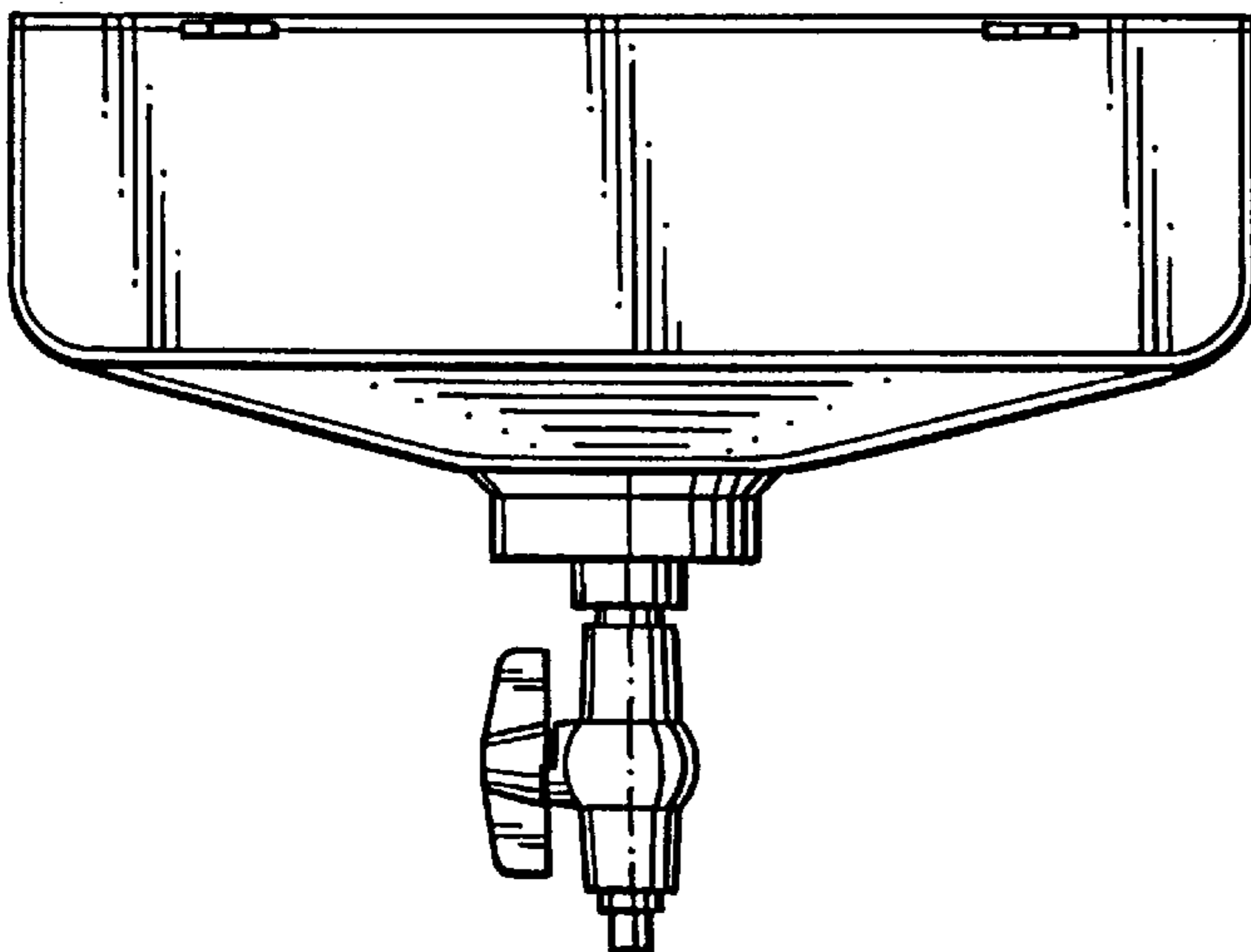


FIG. 6

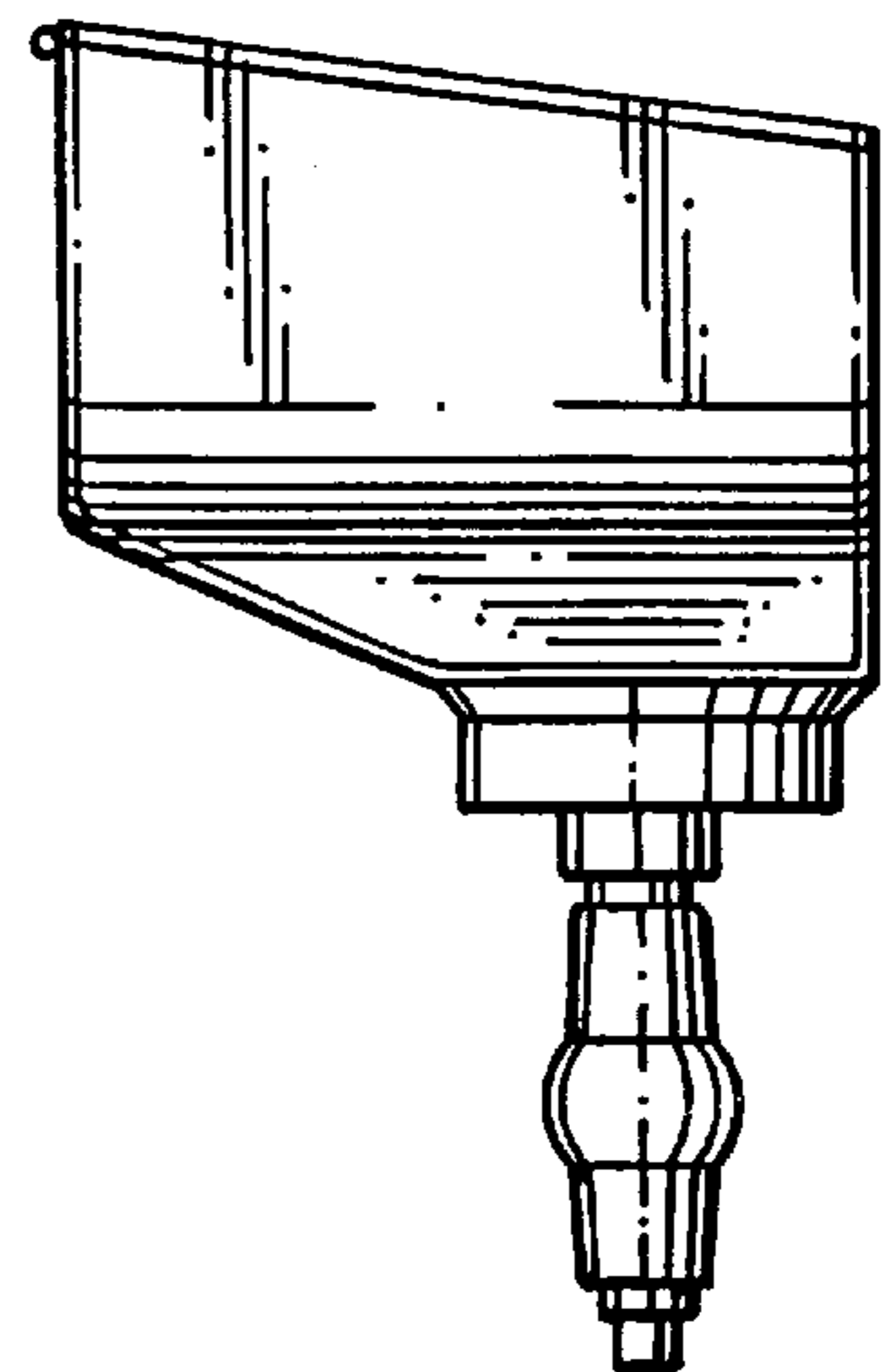


FIG. 7