



US00D420856S

# United States Patent [19]

Yeo et al.

[11] **Patent Number: Des. 420,856**

[45] **Date of Patent: \*\* Feb. 22, 2000**

[54] **FRUIT TRAY**

[75] Inventors: **Chung Sun Yeo**, Singapore; **Mauro Tomasi**, Townerville; **Jeremy Ting-Kung Sun**; **Jeanna Kimbré**, both of Singapore, all of Singapore

[73] Assignee: **Dart Industries Inc.**, Orlando, Fla.

[\*\*] Term: **14 Years**

[21] Appl. No.: **29/092,549**

[22] Filed: **Aug. 21, 1998**

[51] **LOC (7) Cl.** ..... **07-01**

[52] **U.S. Cl.** ..... **D7/554.2; D7/545**

[58] **Field of Search** ..... D3/304, 307, 308, D3/309, 314; D7/545, 550.1, 552.1, 554.2, 554.4, 586, 587, 588; 220/485, 494, 657

[56] **References Cited**

**U.S. PATENT DOCUMENTS**

D. 187,995	5/1960	Loewy .	
D. 274,300	6/1984	Pozzi .	
D. 287,208	12/1986	Daenen et al. ....	D7/40
D. 322,539	12/1991	Under .....	D7/586 X
D. 373,509	9/1996	Bormioli .....	D7/554.2
2,963,197	12/1960	Lyon, Jr. ....	220/657

3,099,377	7/1963	Metzler et al. ....	220/657
3,229,886	1/1966	Grogel .....	220/657
3,233,813	2/1966	Wolford et al. ....	220/657
4,491,235	1/1985	Fournier et al. .	
5,133,472	7/1992	Koda et al. .	
5,392,948	2/1995	McEntee .....	220/657

*Primary Examiner*—Louis S. Zarfaz  
*Assistant Examiner*—Monica A. Weingart  
*Attorney, Agent, or Firm*—Taylor J. Ross

[57] **CLAIM**

The ornamental design for a fruit tray, as shown and described.

**DESCRIPTION**

FIG. 1 is a top and front perspective view of a fruit tray showing our new design;  
FIG. 2 is a front elevational view thereof, the rear elevational view being the same;  
FIG. 3 is a handle end elevational view thereof, both handle end elevations being the same;  
FIG. 4 is a top plan view thereof;  
FIG. 5 is a bottom plan view thereof; and,  
FIG. 6 is a perspective view thereof with the two components of one of the opposed handles exploded.

**1 Claim, 3 Drawing Sheets**

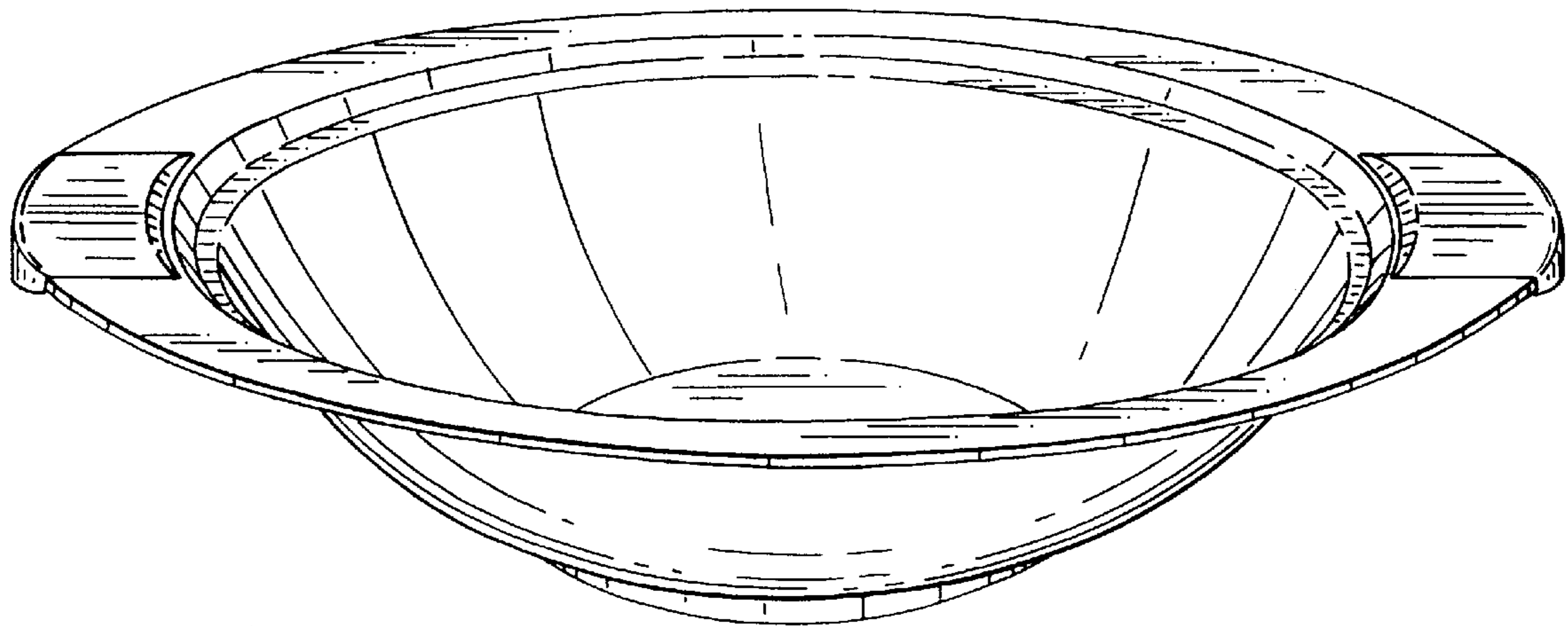


FIG. 1

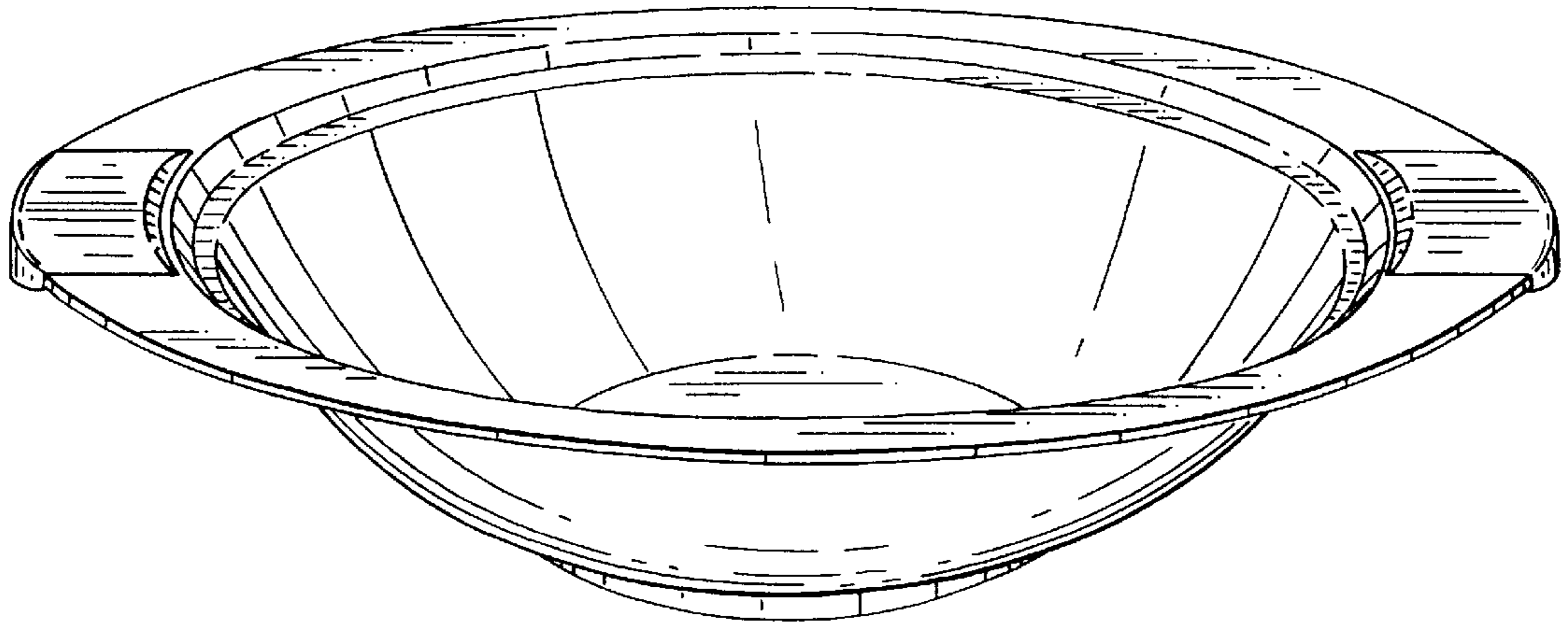


FIG. 2

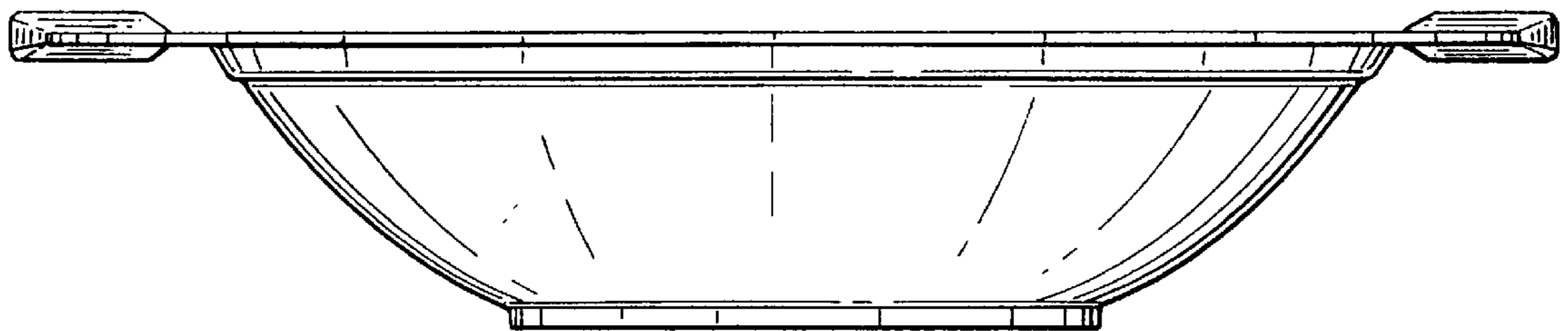


FIG. 3

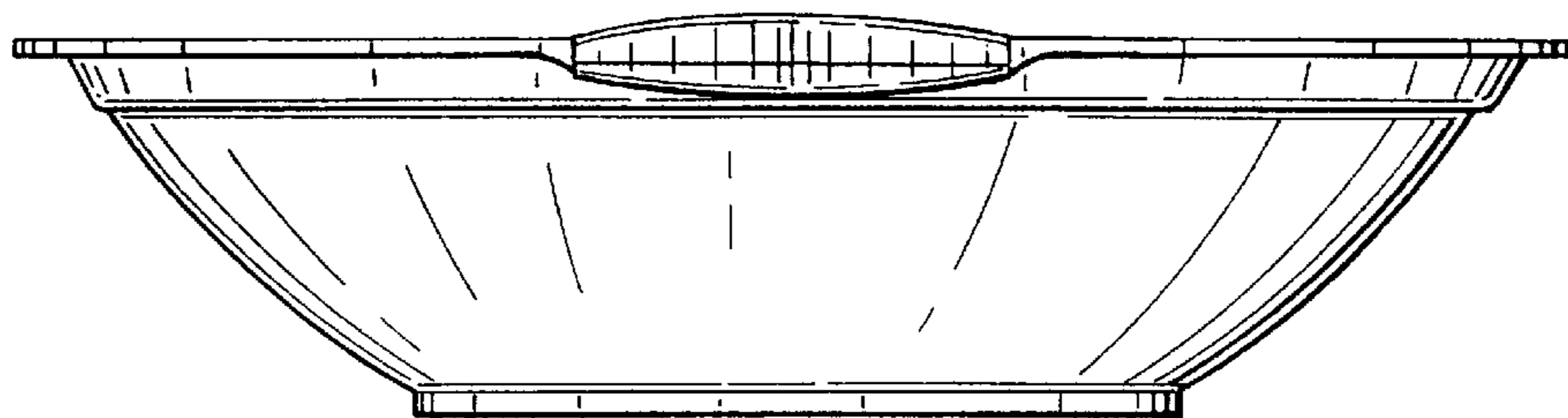


FIG. 4

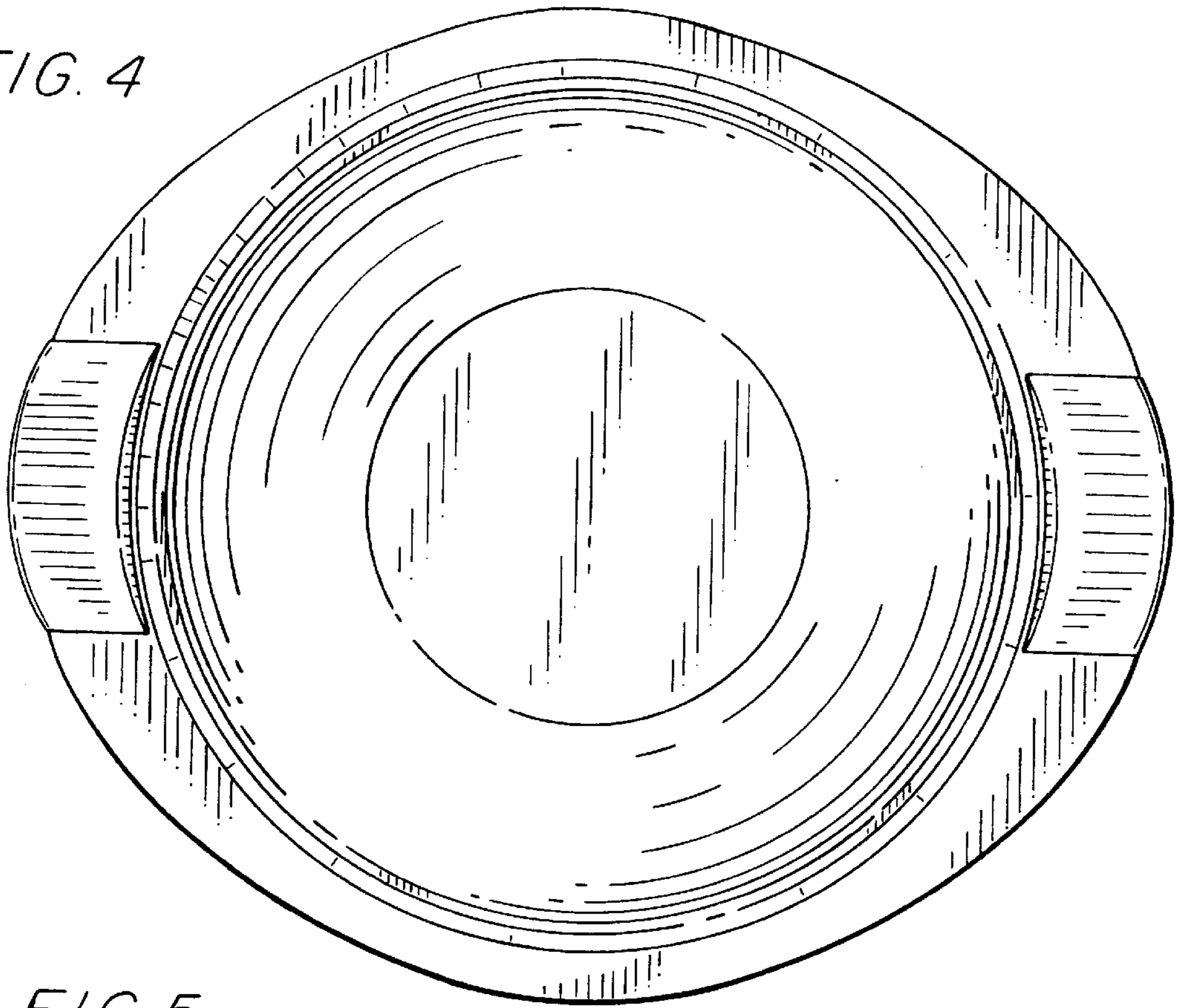


FIG. 5

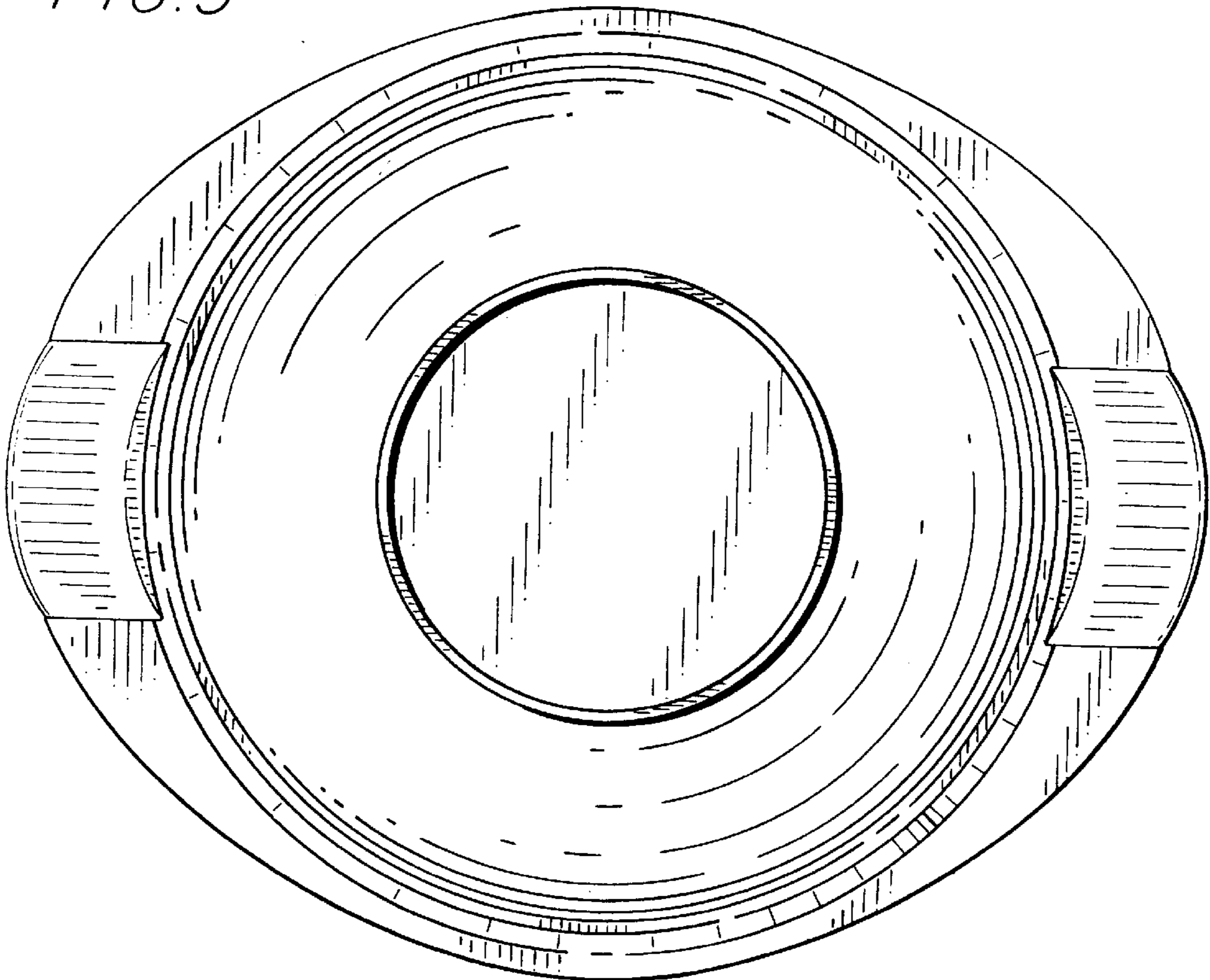


FIG. 6

