



US00D420852S

United States Patent [19]

[11] Patent Number: Des. 420,852

Demers

[45] Date of Patent: ** Feb. 22, 2000

[54] MODULAR SERVER FOR PREPARED EGGS

[75] Inventor: Brian J. Demers, Orlando, Fla.

[73] Assignee: Dart Industries Inc., Orlando, Fla.

[**] Term: 14 Years

[21] Appl. No.: 29/101,396

[22] Filed: Mar. 3, 1999

[51] LOC (7) Cl. 07-01

[52] U.S. Cl. D7/501; D7/503; D7/552.1; D7/553.6; D7/547

[58] Field of Search D7/501, 505, 538, D7/540, 541, 543, 545, 546, 549, 553.6, 553.7, 555, 557, 562, 564, 565, 572, 576, 586, 608, 357, 360, 614, 503, 611, 552.1; 220/575, 574; 206/562, 538, 561; 108/25, 28, 20; 211/129.1

[56] **References Cited**

U.S. PATENT DOCUMENTS

D. 23,901	12/1894	Howe	D7/501
D. 63,253	11/1923	Delarmi	D7/611
D. 194,325	1/1963	Swett	D7/501
D. 197,981	4/1964	Miller	D7/501
D. 211,513	6/1968	Brown et al.	D9/190
D. 272,212	1/1984	Daenen et al.	211/120.1
D. 272,218	1/1984	Daenen et al.	D7/27
D. 285,638	9/1986	Trivison	D7/27
D. 372,840	8/1996	Cousins	D7/541

D. 381,554	7/1997	Tichenor	D7/503 X
D. 393,775	4/1998	Otero	D7/557
D. 401,810	12/1998	Swift	D7/505 X
1,965,850	7/1934	Melton	211/129.1
2,507,951	5/1950	Barnes	108/20
2,837,218	6/1958	Arceo	211/129.1
2,844,258	7/1958	Faber	D7/553.6
3,484,035	12/1969	Swett et al.	229/15
5,894,944	4/1999	Swift	211/78

Primary Examiner—M. N. Pandozzi
Attorney, Agent, or Firm—Taylor J. Ross

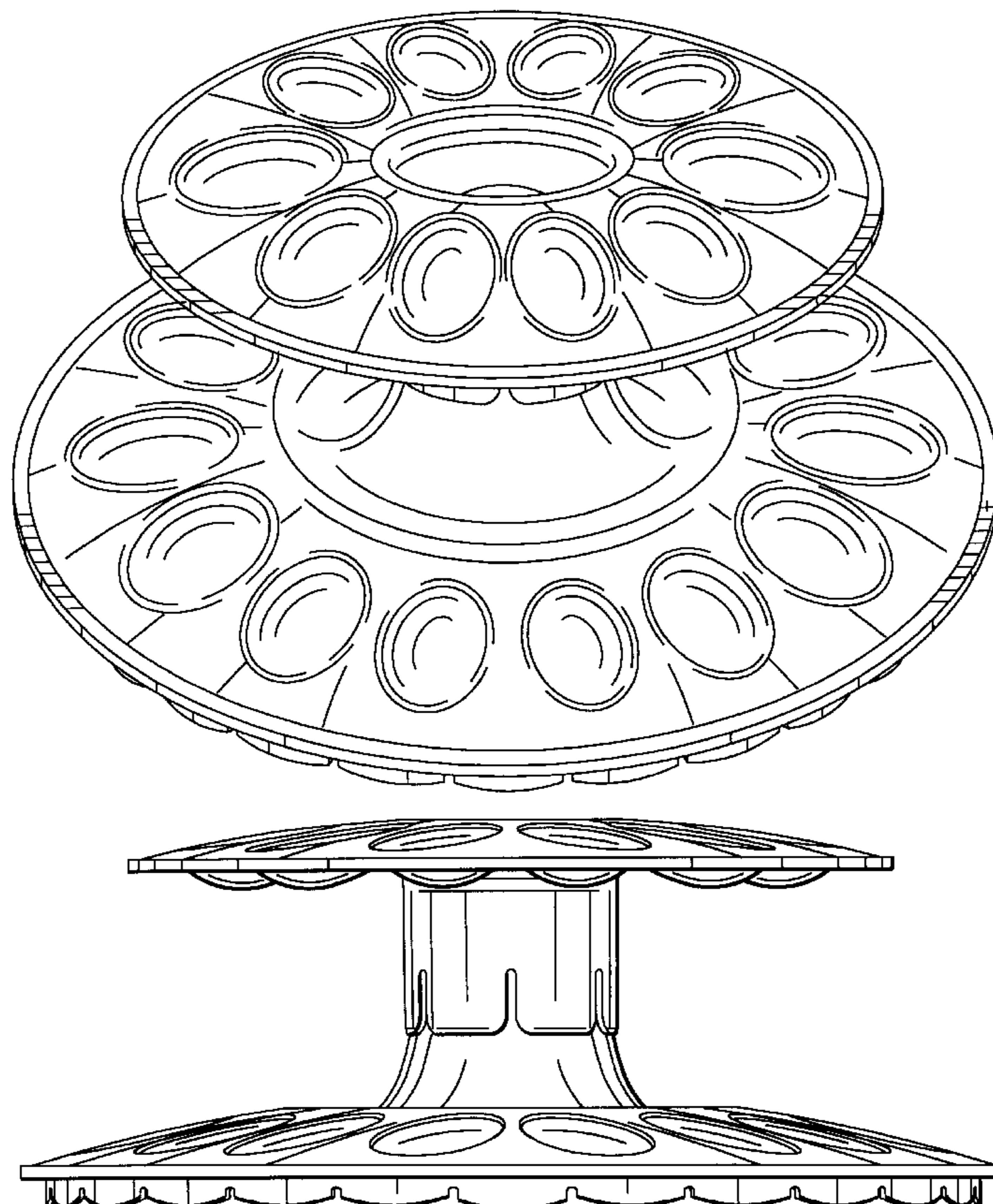
[57] **CLAIM**

The ornamental design for a modular server for prepared eggs, as shown and described.

DESCRIPTION

FIG. 1 is a top, side and front perspective view of a modular server for prepared eggs showing the new design; FIG. 2 is a front elevation view thereof; FIG. 3 is a rear elevation view thereof; FIG. 4 is a right side elevation view thereof; FIG. 5 is a left side elevation view thereof; FIG. 6 is a top plan view thereof; FIG. 7 is a bottom plan view thereof; FIG. 8 is a bottom, side and front exploded perspective view; FIG. 9 is an exploded cross-sectional view along line 9—9 of FIG. 8; and, FIG. 10 is a cross-sectional view along line 10—10 of FIG. 4.

1 Claim, 6 Drawing Sheets



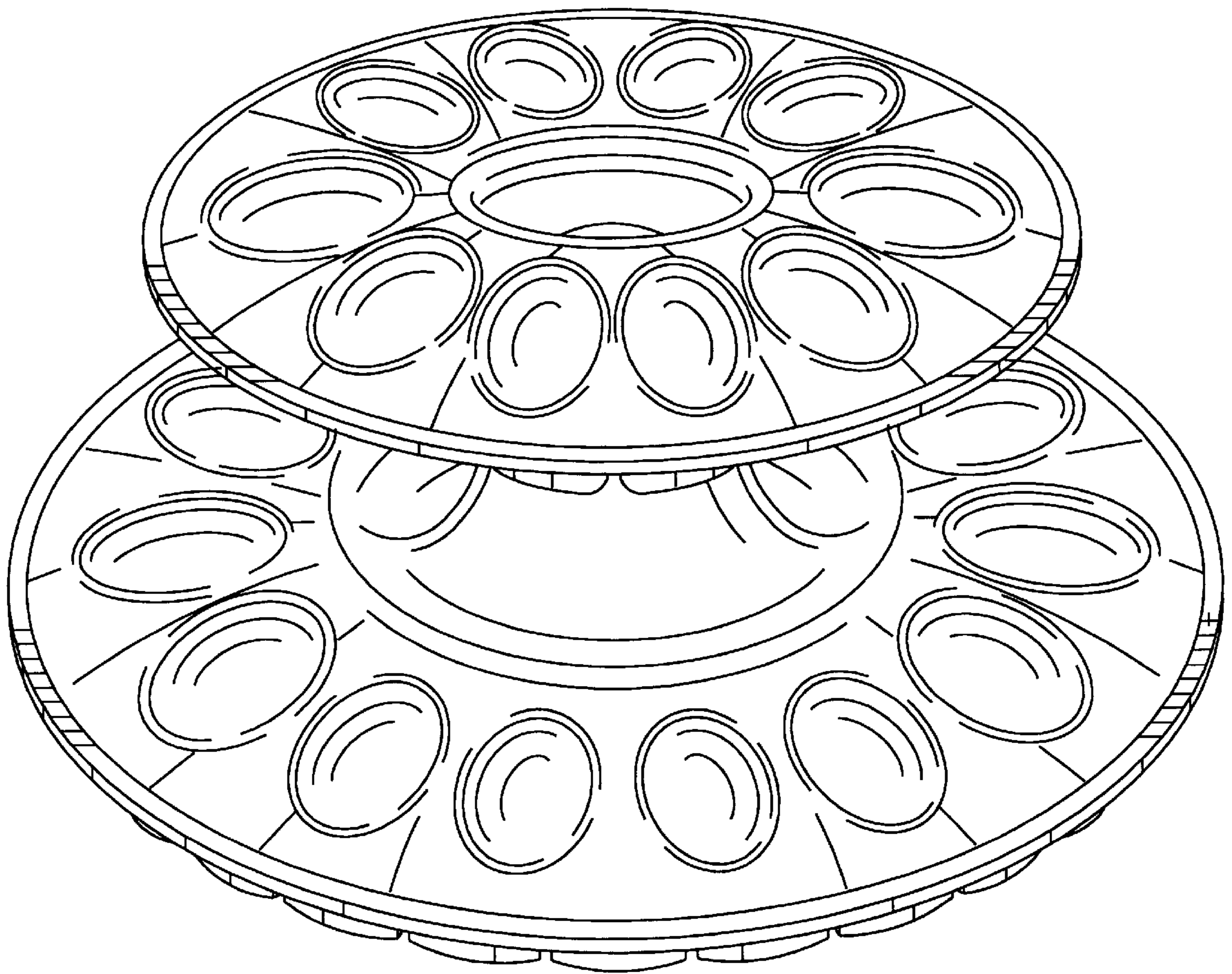


FIG. 1

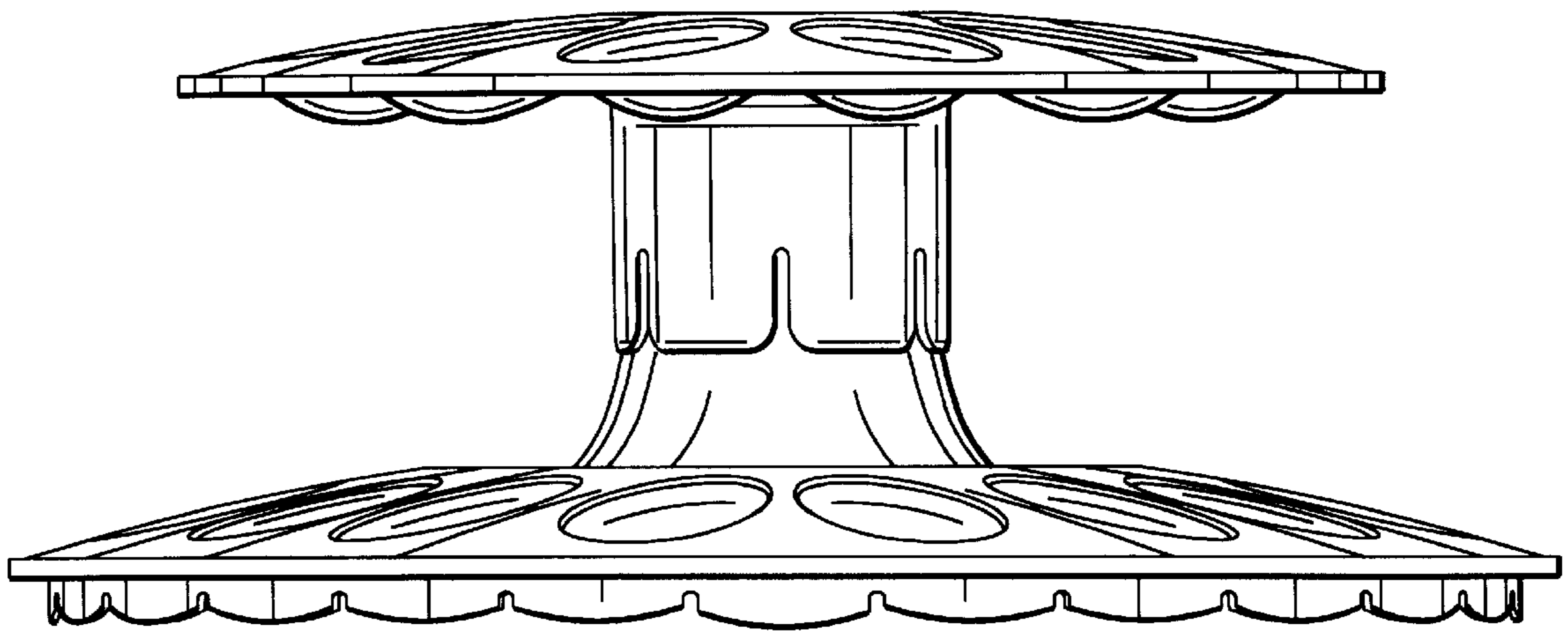


FIG. 2

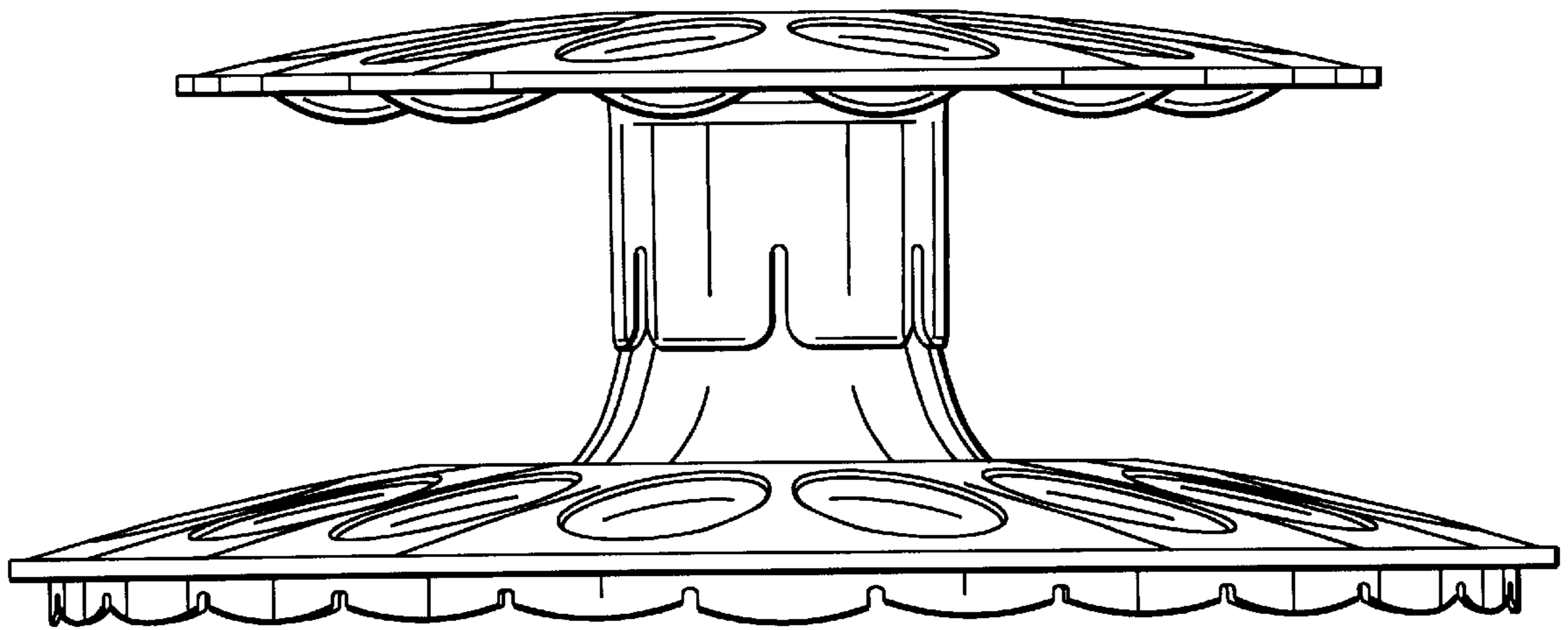


FIG. 3

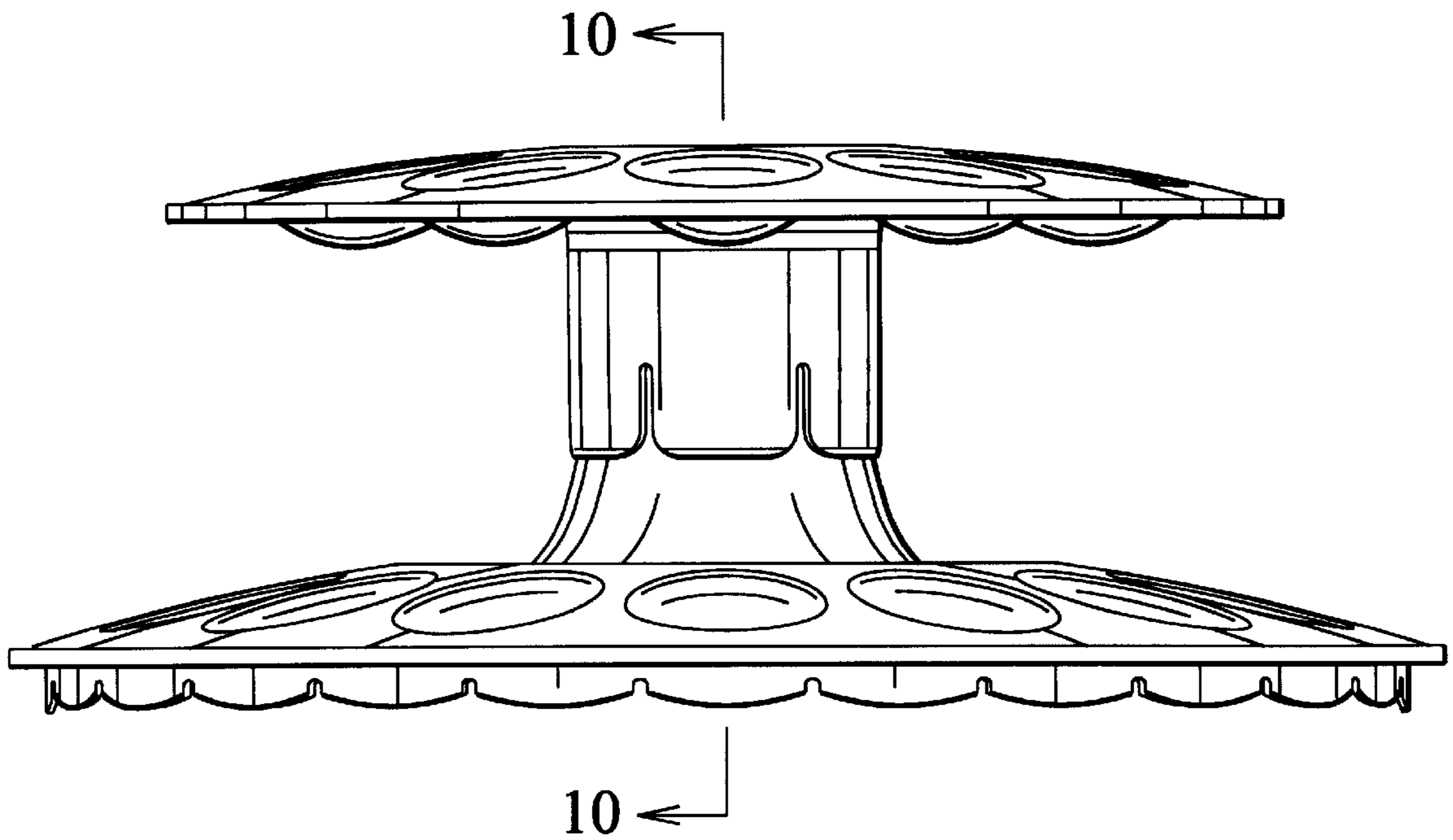


FIG. 4

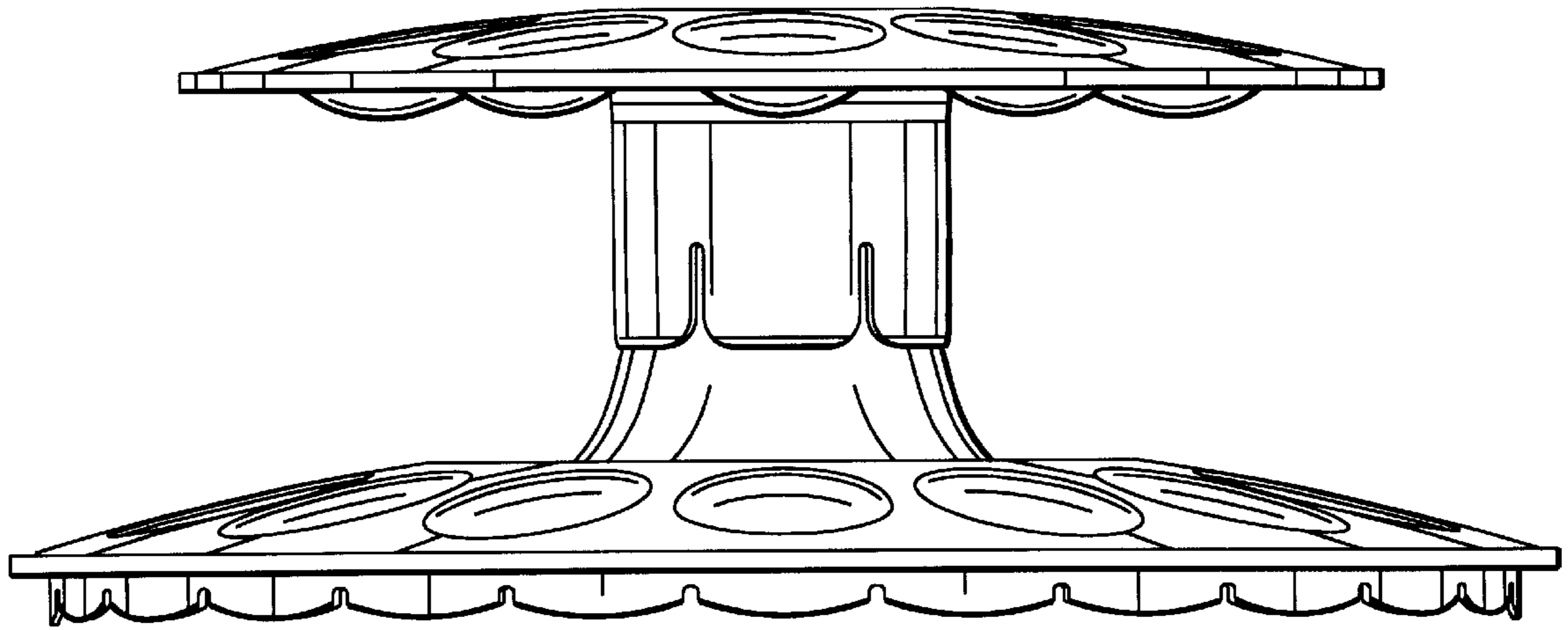


FIG. 5

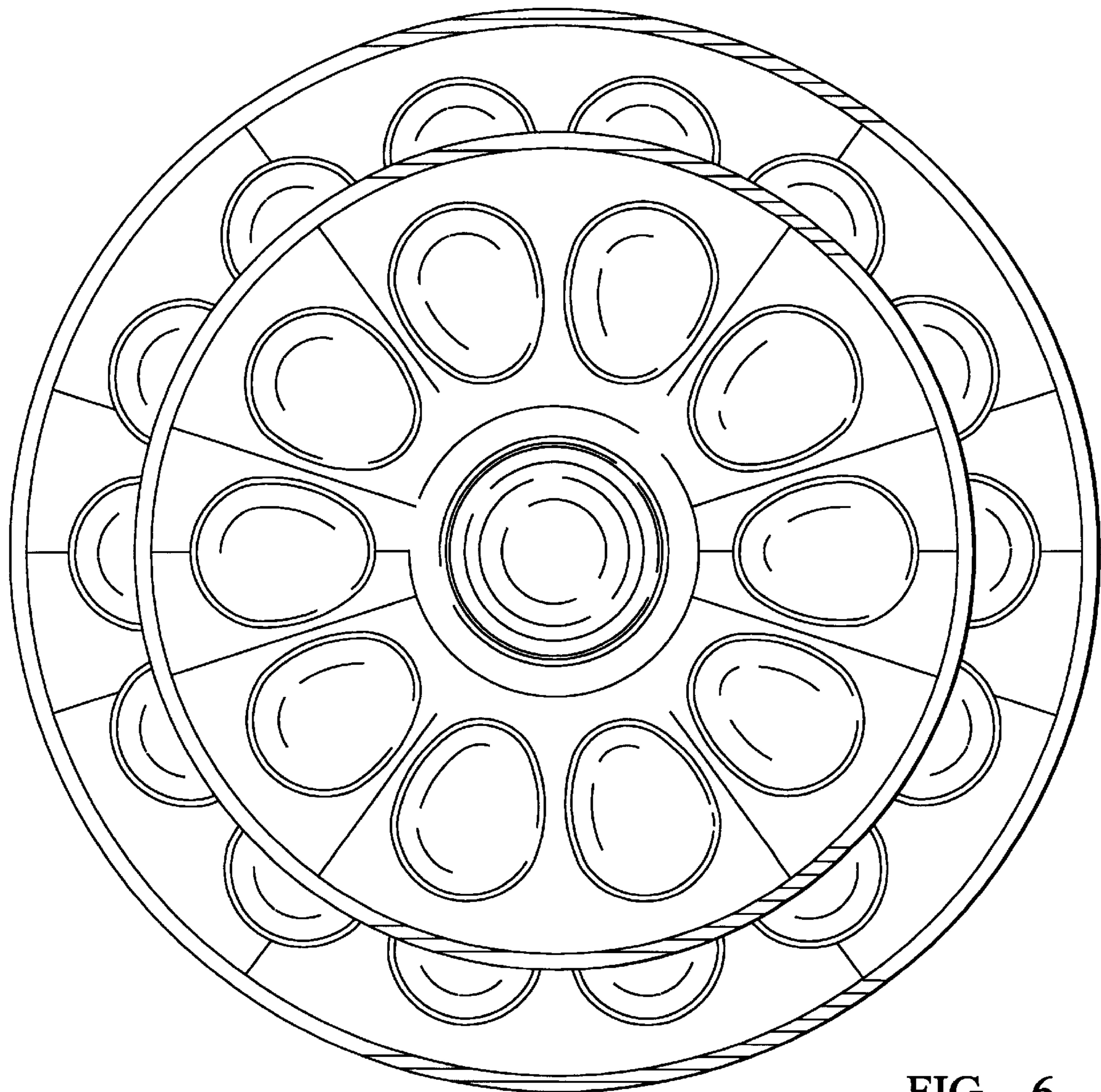


FIG. 6

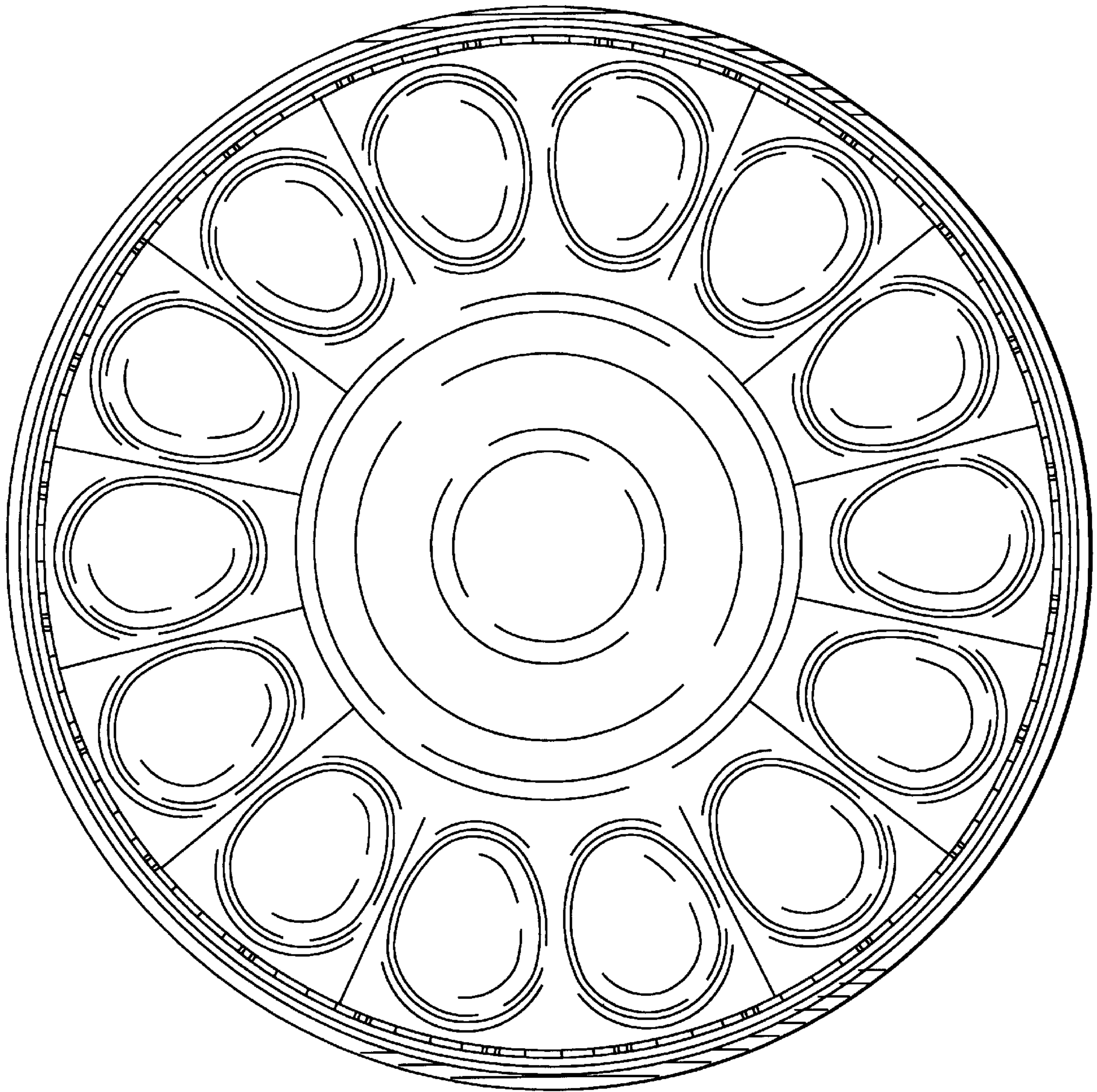


FIG. 7

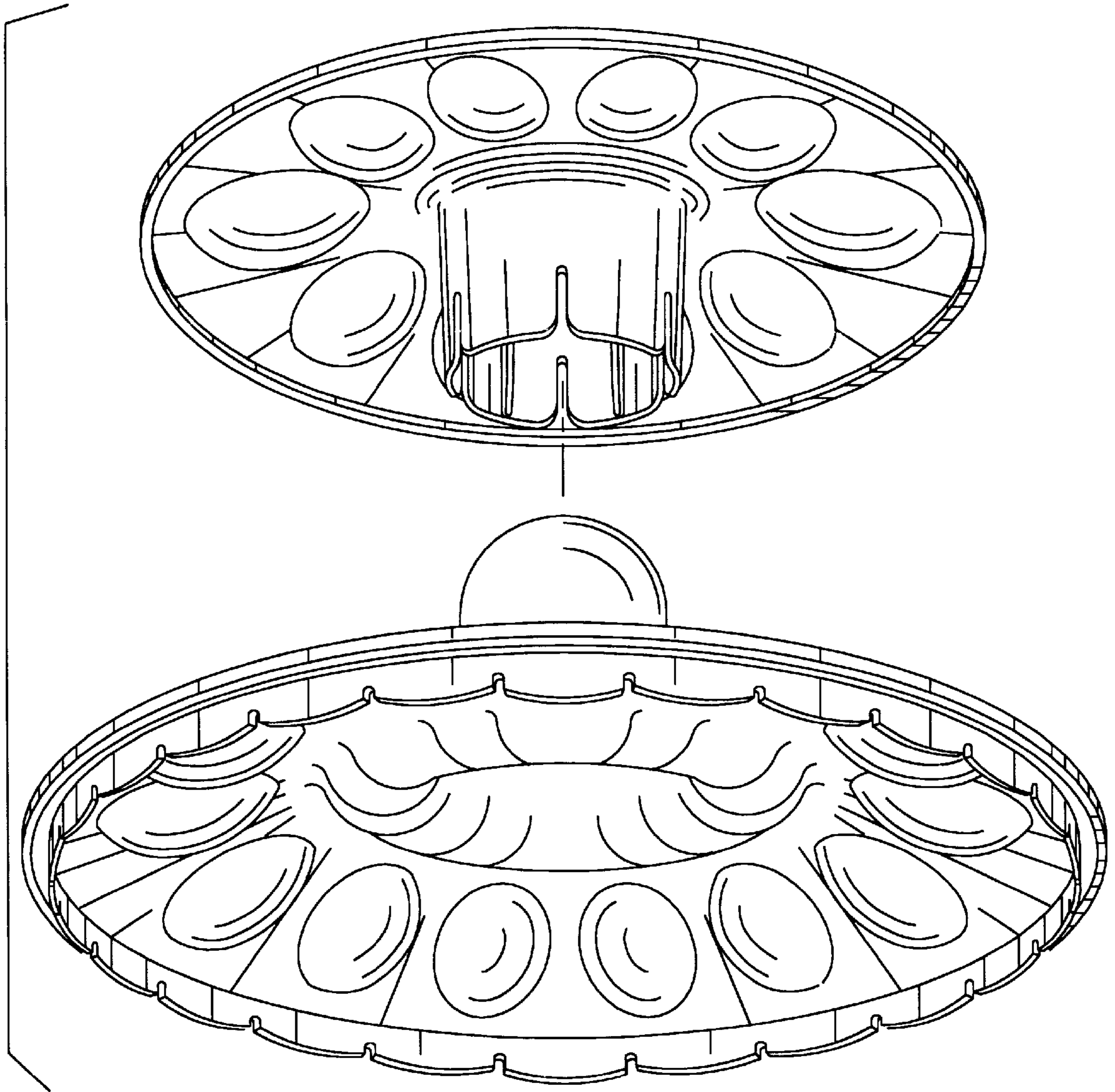


FIG. 8

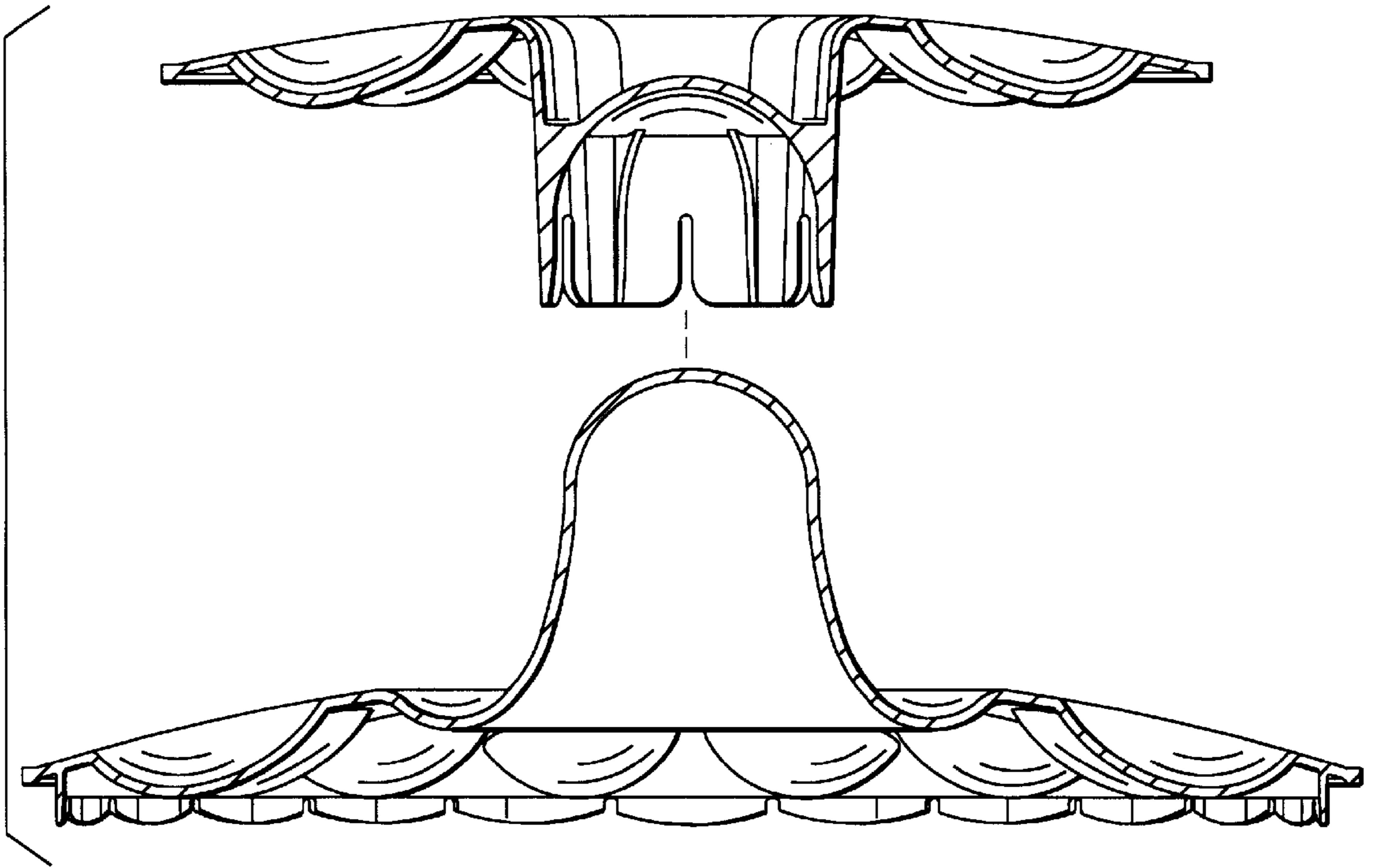


FIG. 9

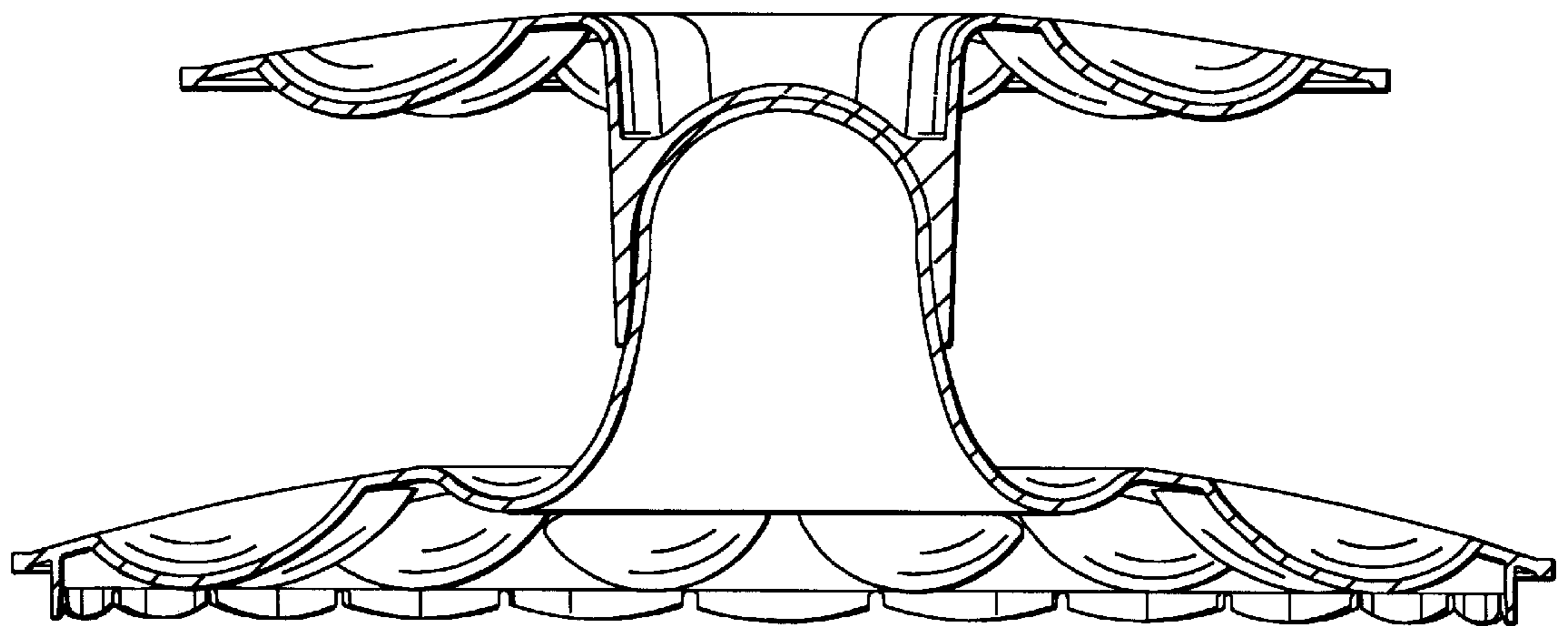


FIG. 10