



US00D420850S

United States Patent [19]

Endres

[11] Patent Number: **Des. 420,850**

[45] Date of Patent: **** Feb. 22, 2000**

[54] **HOT POT BASE PORTION**

[75] Inventor: **William S. Endres**, Leawood, Kans.

[73] Assignee: **Windmere Corporation**, Miami Lakes, Fla.

[**] Term: **14 Years**

[21] Appl. No.: **29/094,667**

[22] Filed: **Oct. 7, 1998**

[51] **LOC (7) Cl.** **07-99**

[52] **U.S. Cl.** **D7/396.6; D7/318**

[58] **Field of Search** D7/396.6, 397, D7/387, 326, 305, 361, 312, 316, 317, 318, 319; 241/DIG. 17; 222/306, 308; 97/295, 306

[56] **References Cited**

U.S. PATENT DOCUMENTS

- D. 302,375 7/1989 Kitakaze et al. D7/361
- D. 315,271 3/1991 Rauch D7/317
- D. 321,455 11/1991 Duquaine, Jr. et al. D7/361
- D. 336,013 6/1993 Lebowitz .
- D. 352,418 11/1994 Betts et al. .
- D. 356,004 3/1995 Van Valkenburg et al. .
- D. 364,990 12/1995 Fonville D7/317
- D. 367,394 2/1996 Wai D7/305
- D. 375,866 11/1996 Wai .
- D. 376,065 12/1996 Ito et al. .

- D. 377,882 2/1997 Huang .
- D. 380,929 7/1997 Wheeler D7/322
- D. 381,858 8/1997 Richaud .
- D. 386,933 12/1997 Browne D7/312
- D. 389,007 1/1998 Bouhuys .

Primary Examiner—M. N. Pandozzi
Attorney, Agent, or Firm—Barry E. Deutsch

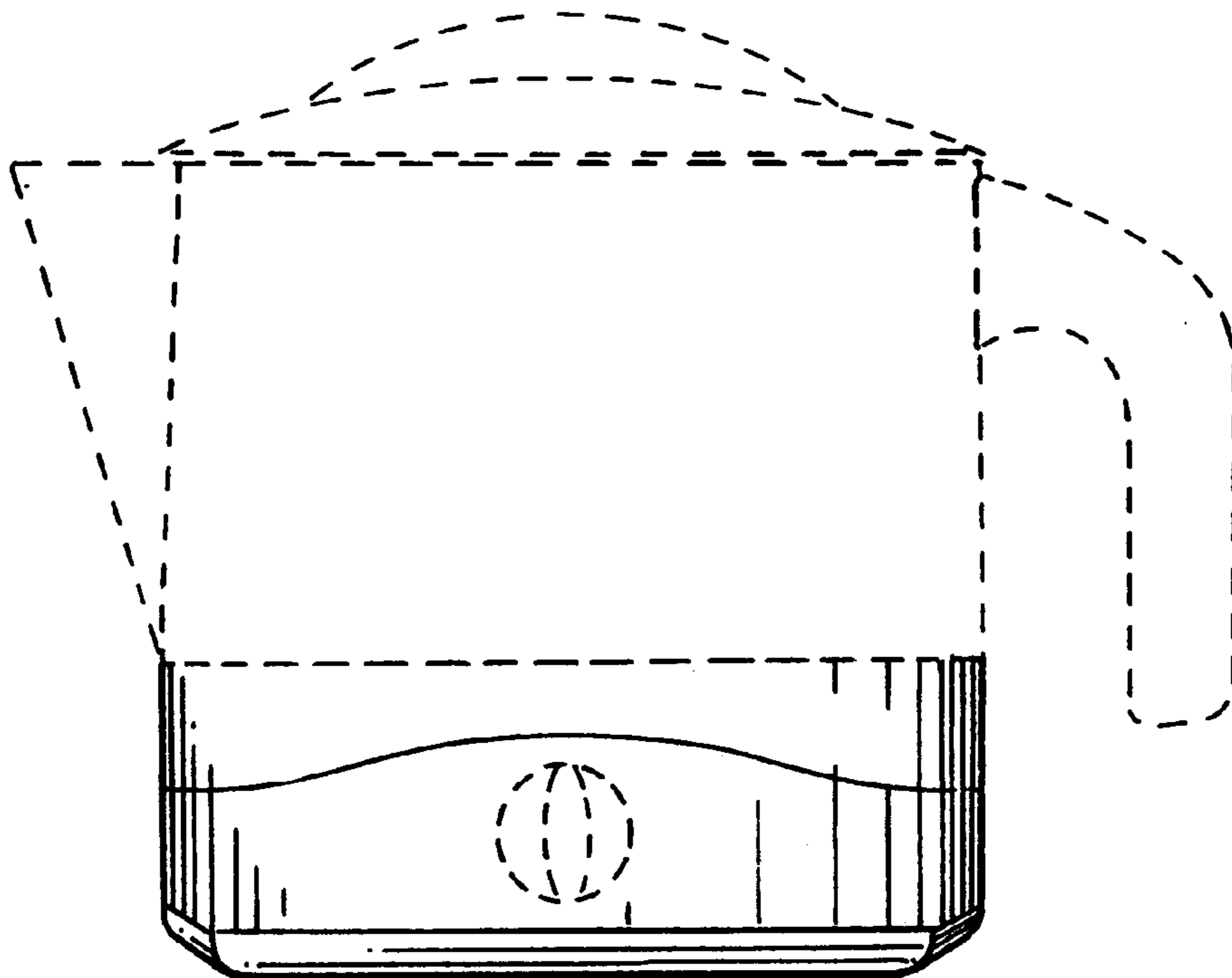
[57] **CLAIM**

The ornamental design for hot pot base portion, as shown and described.

DESCRIPTION

FIG. 1 is a rear, right side and top perspective view of a hot pot base portion according to the present invention.
 FIG. 2 is a front view of the hot pot base portion of FIG. 1.
 FIG. 3 is a right side view of the hot pot base portion of FIG. 1.
 FIG. 4 is a rear view of the hot pot base portion of FIG. 1.
 FIG. 5 is a left side view of the hot pot base portion of FIG. 1.
 FIG. 6 is a bottom view of the hot pot base portion of FIG. 1; and,
 FIG. 7 is a top view of the hot pot base portion of FIG. 1.
 The broken lines are provided in the drawings merely for illustrating the environment in which the invention is used. The broken lines do not form part of the design sought to be patented.

1 Claim, 4 Drawing Sheets



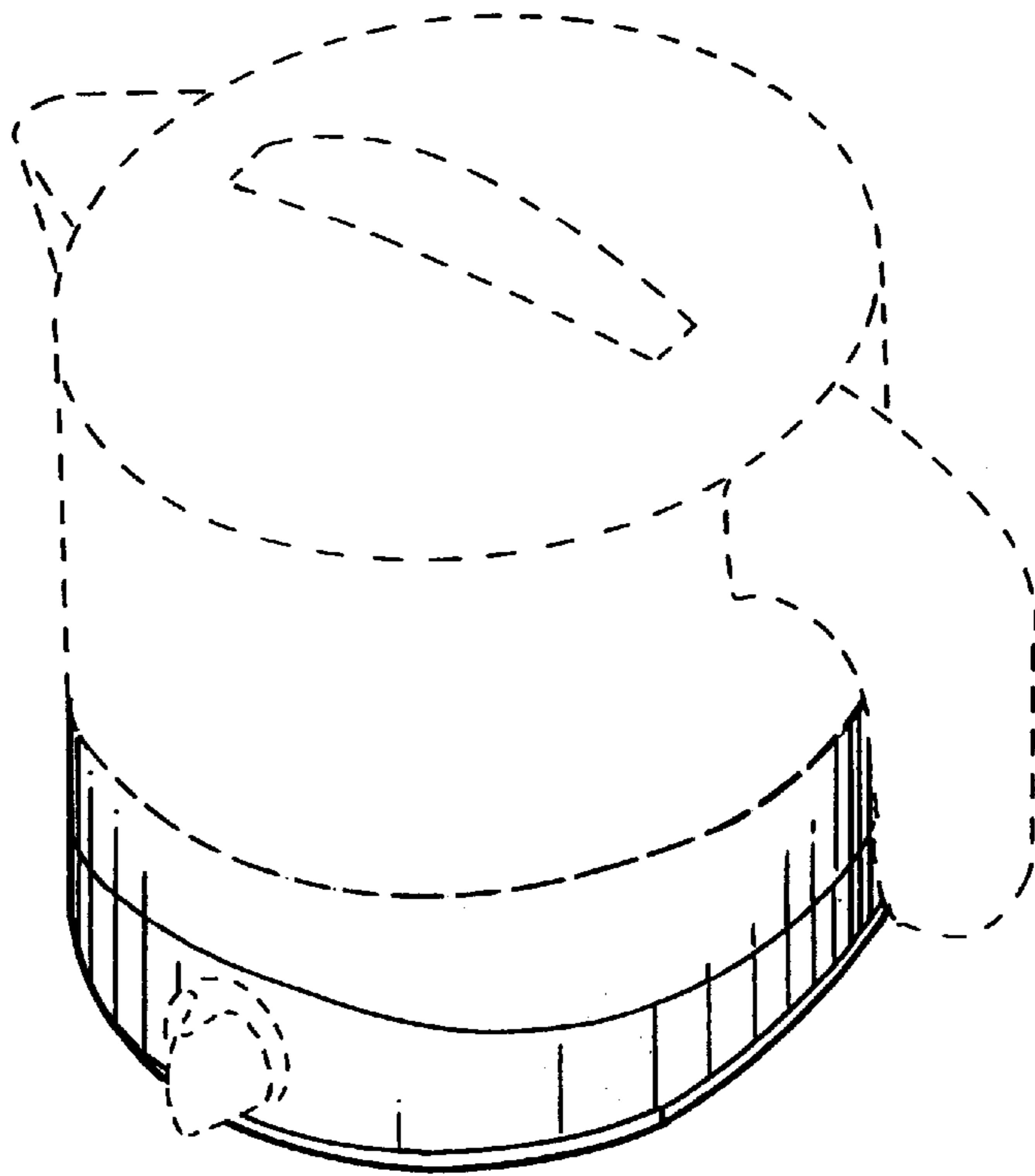


FIG. 1

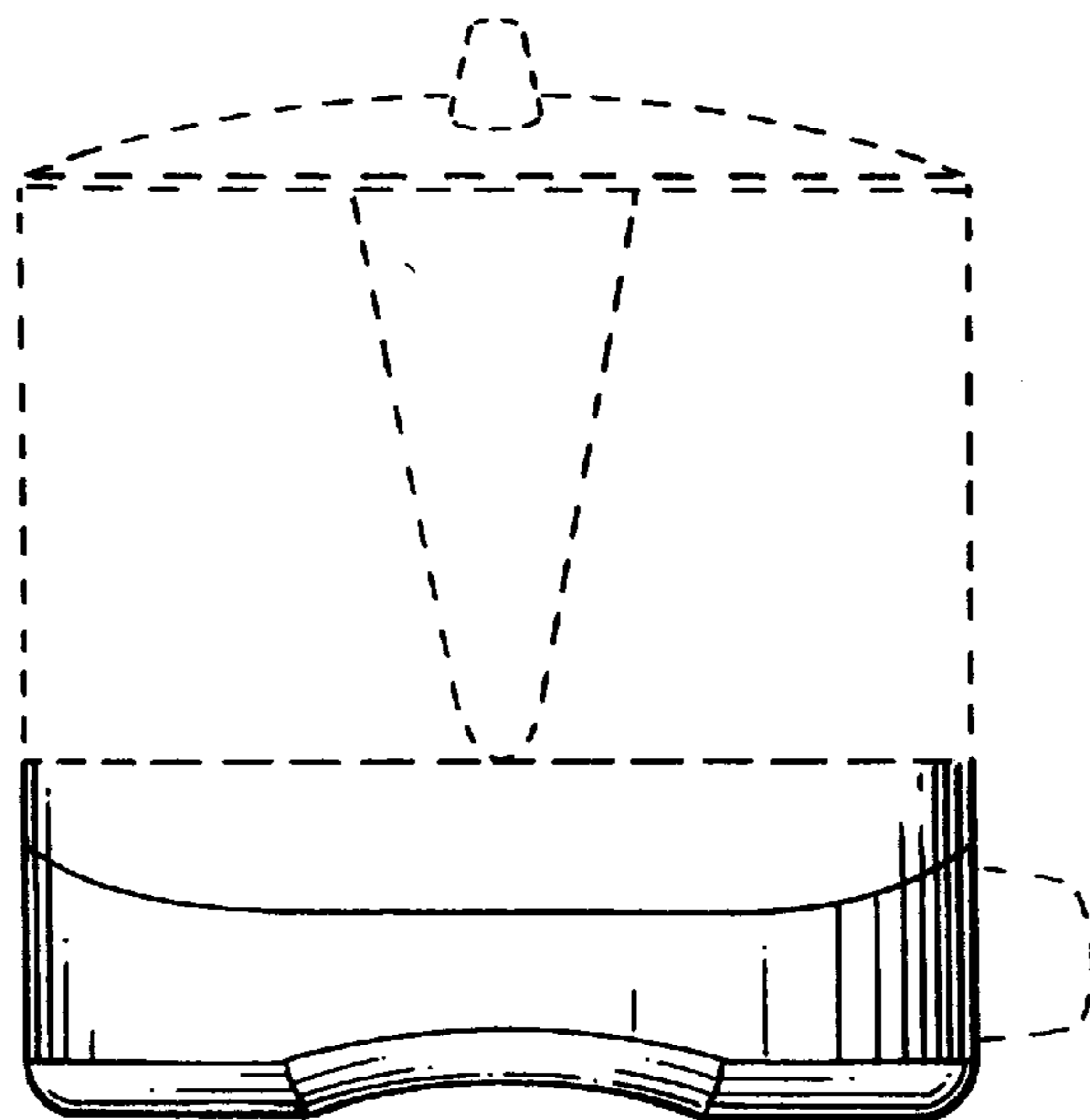


FIG. 2

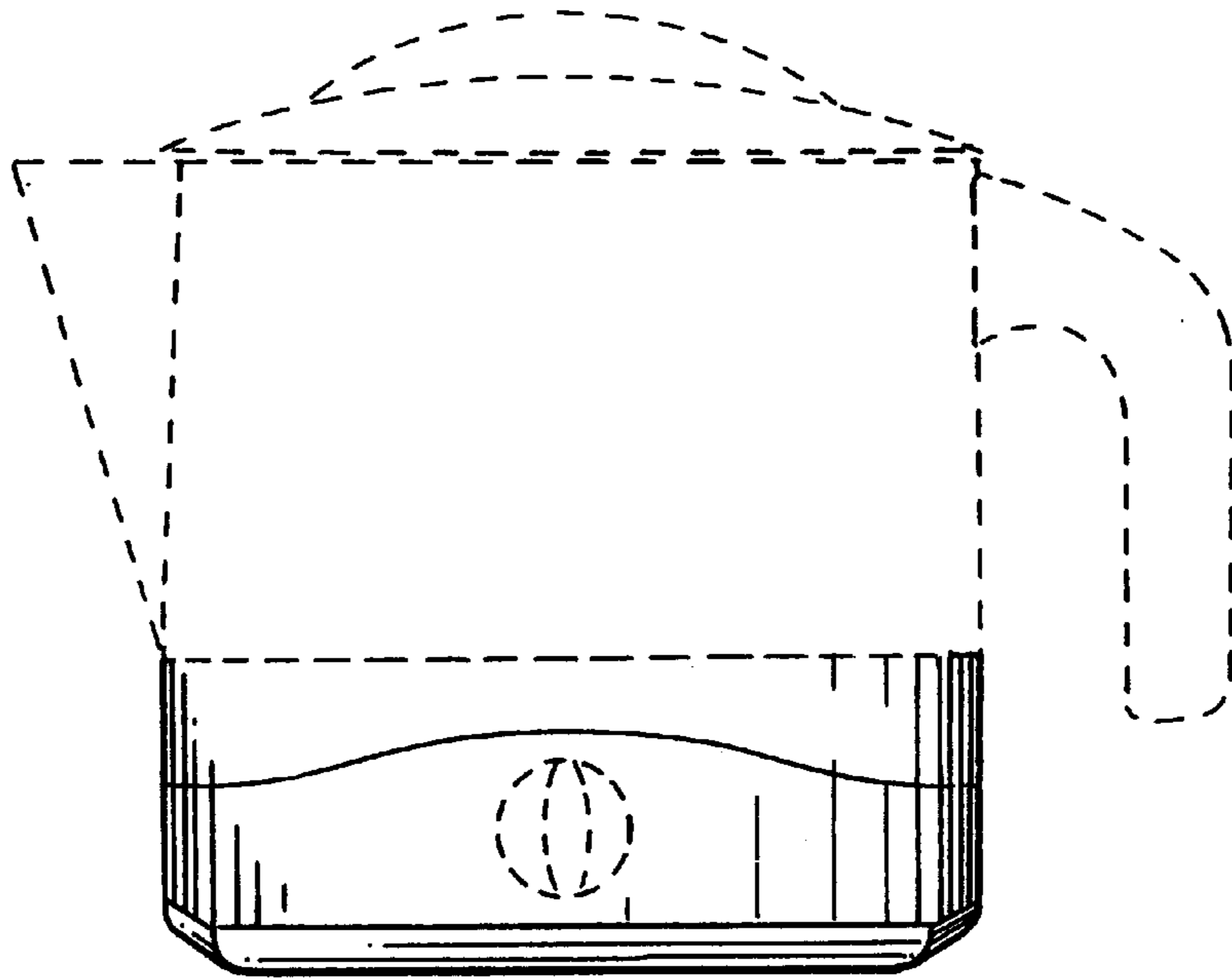


FIG. 3

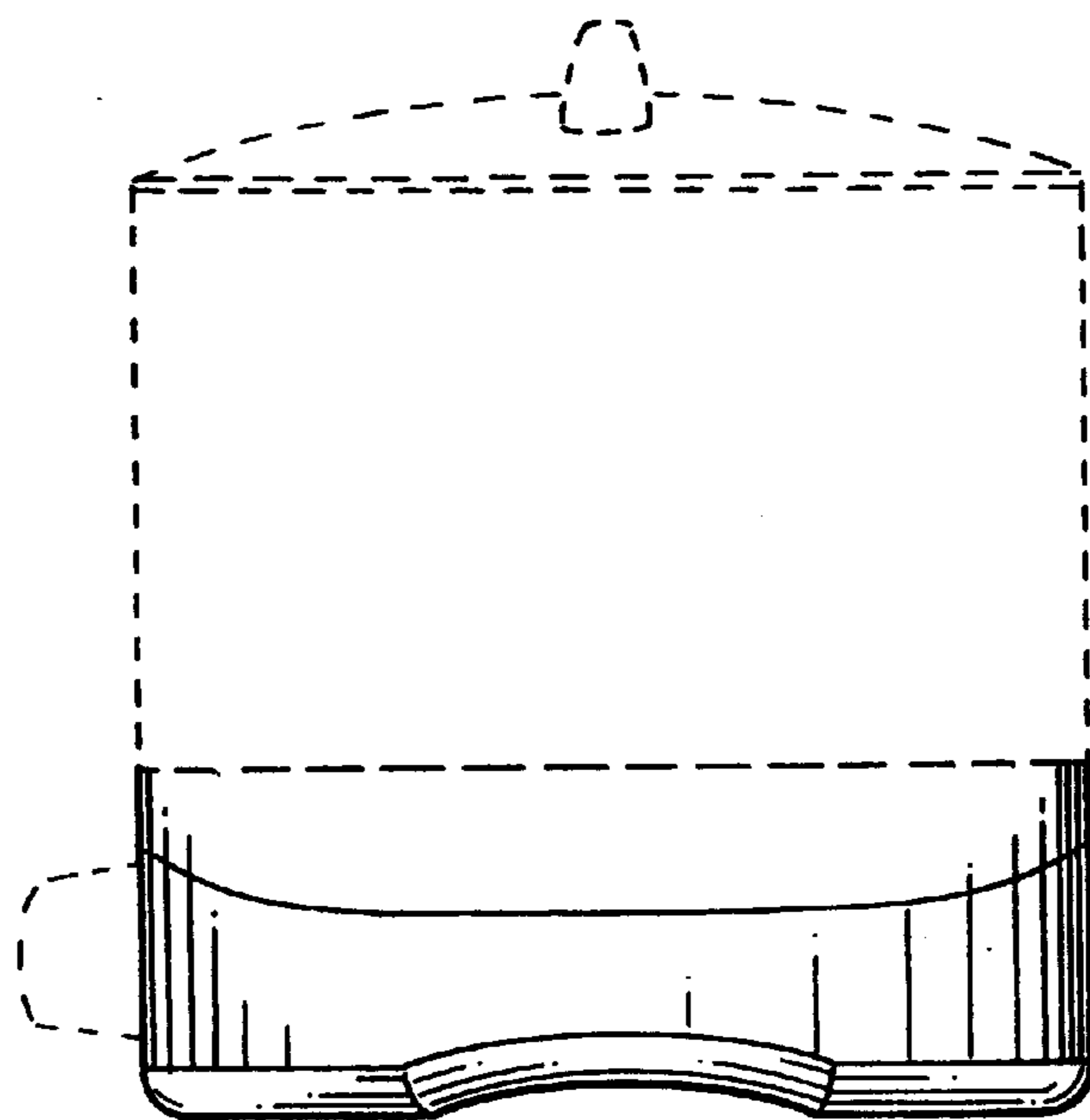


FIG. 4

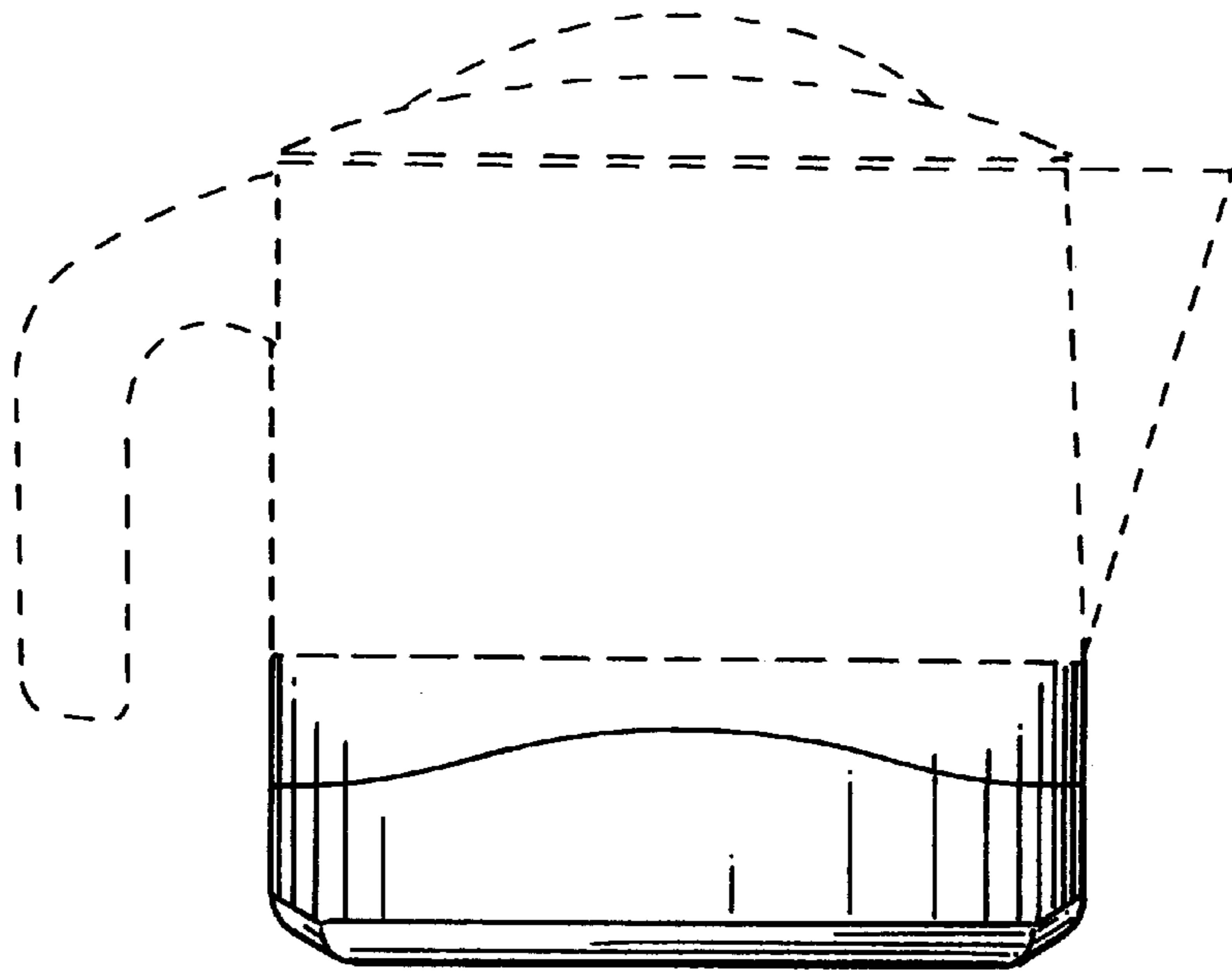


FIG. 5

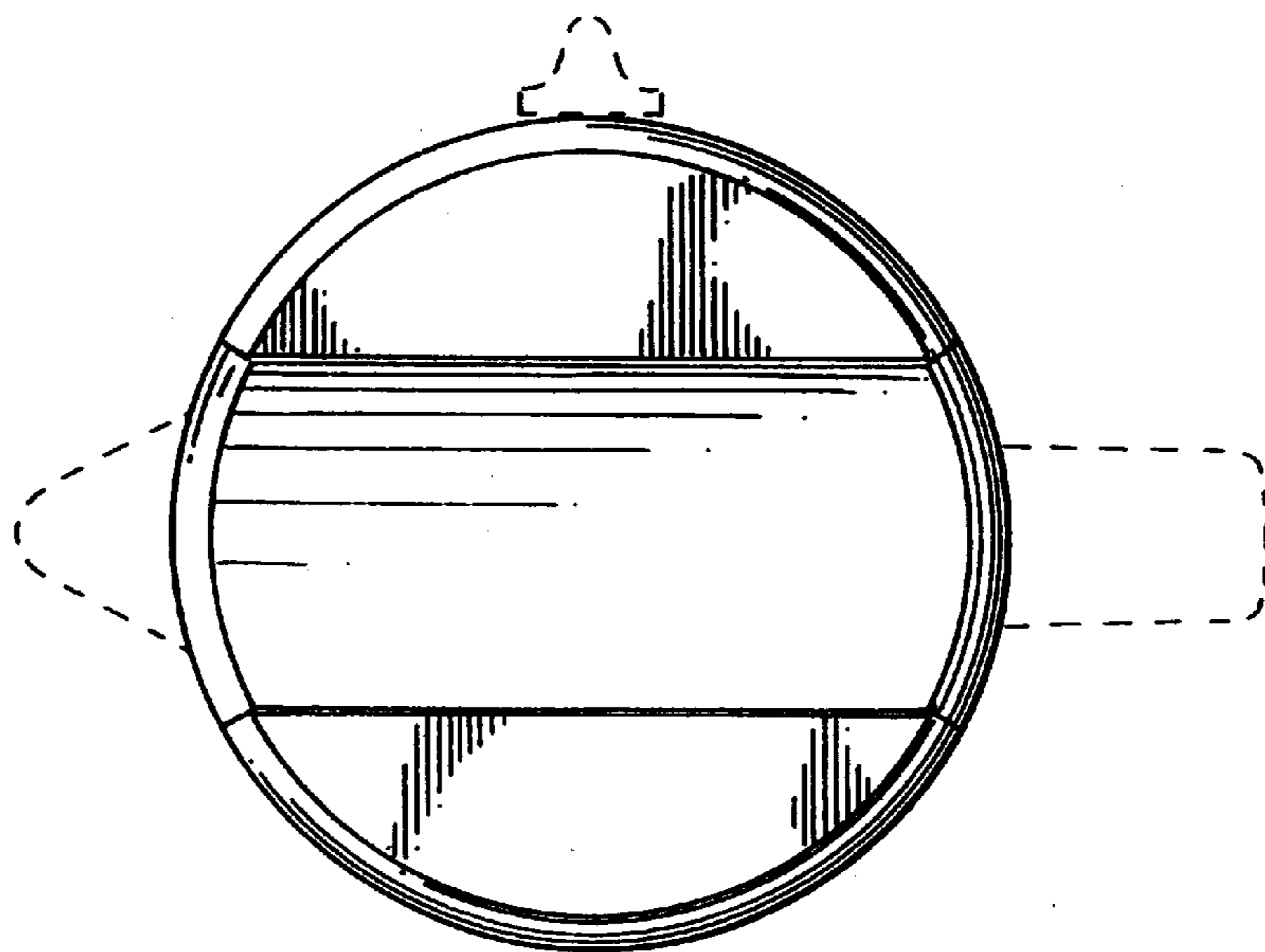


FIG. 6

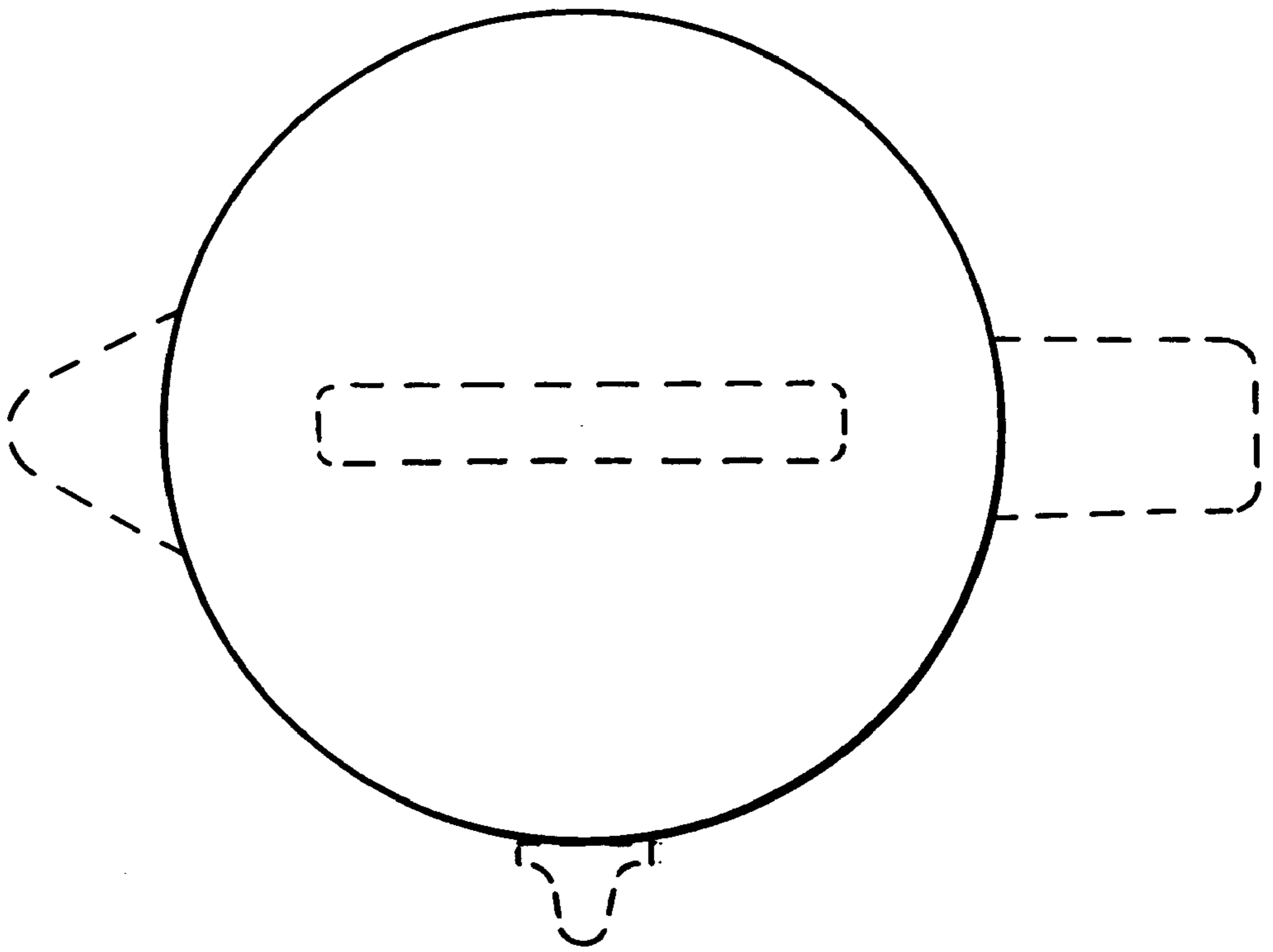


FIG. 7