



US00D420849S

United States Patent [19]
Jarvis

[11] **Patent Number: Des. 420,849**

[45] **Date of Patent: ** Feb. 22, 2000**

[54] **ENLARGED PAN LID**

[75] Inventor: **Charles W. Jarvis**, Irvine, Calif.

[73] Assignee: **Cambro Manufacturing Company**,
Huntington Beach, Calif.

[**] Term: **14 Years**

[21] Appl. No.: **29/094,466**

[22] Filed: **Oct. 2, 1998**

[51] **LOC (7) Cl.** **07-02**

[52] **U.S. Cl.** **D7/391**

[58] **Field of Search** D7/323, 354-361,
D7/391-394; 99/324, 325, 339, 341, 357;
220/573.1, 200, 202, 212.5, 241, 287, 810,
811; D9/435, 443

[56] **References Cited**

U.S. PATENT DOCUMENTS

D. 233,115	10/1974	Christian et al.	D7/392.1
D. 245,564	8/1977	Blanchard	D7/392.1
D. 246,344	11/1977	Yonkers	D7/391
D. 298,899	12/1988	Blum et al.	D7/505
D. 300,895	5/1989	Watson et al.	D7/392.1
3,529,744	9/1970	Johnson et al.	220/212.5

Primary Examiner—Caron D. Veynar

Attorney, Agent, or Firm—George F. Bethel

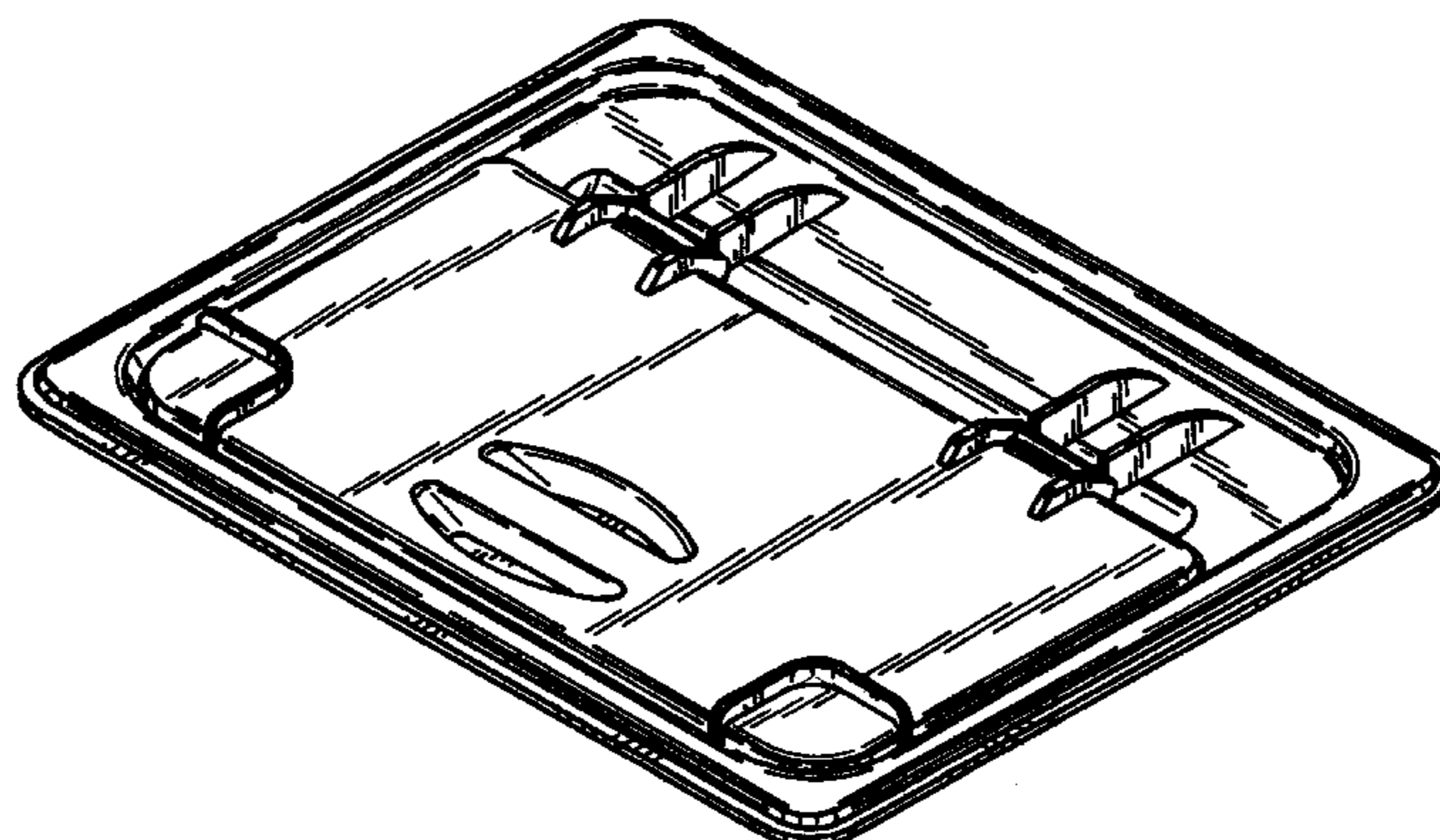
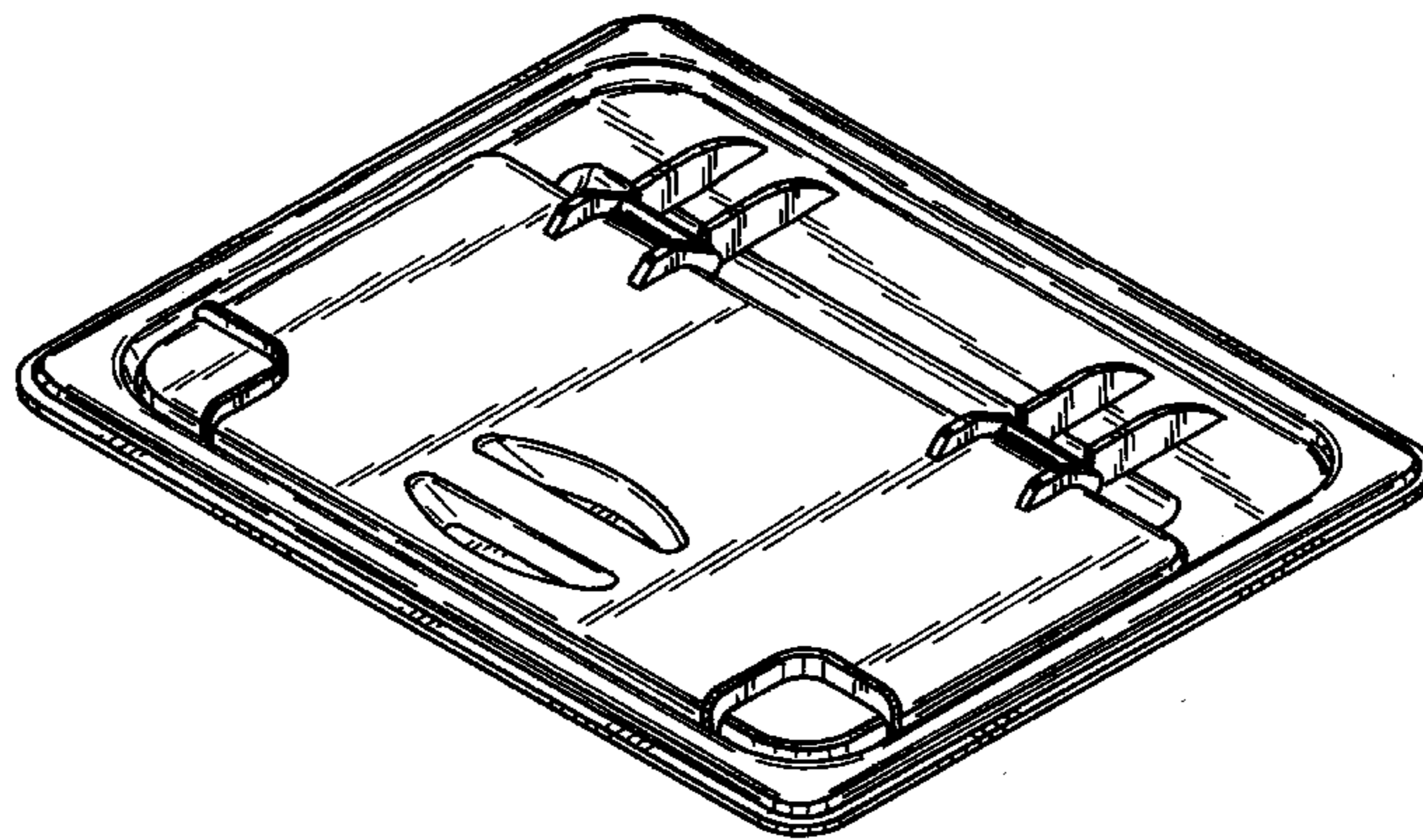
[57] **CLAIM**

The ornamental design for a enlarged pan lid, as shown and described.

DESCRIPTION

FIG. 1 shows a perspective view of my enlarged pan lid;
 FIG. 2 shows a top plan view thereof;
 FIG. 3 shows a frontal elevation view thereof;
 FIG. 4 shows a right side elevation view;
 FIG. 5 shows a left side elevation view;
 FIG. 6 shows a rear elevation view;
 FIG. 7 shows a bottom view thereof;
 FIG. 8 is an alternative embodiment without the opening seen on the right side of FIG. 1 through 7;
 FIG. 9 shows a top plan view of the alternative embodiment;
 FIG. 10 shows a front elevation view of the alternative embodiment;
 FIG. 11 shows a right side elevation view of the alternative embodiment;
 FIG. 12 shows a left side elevation view of the alternative embodiment;
 FIG. 13 shows a rear elevation view of the alternative embodiment; and,
 FIG. 14 shows a bottom view of the alternative embodiment.

1 Claim, 4 Drawing Sheets



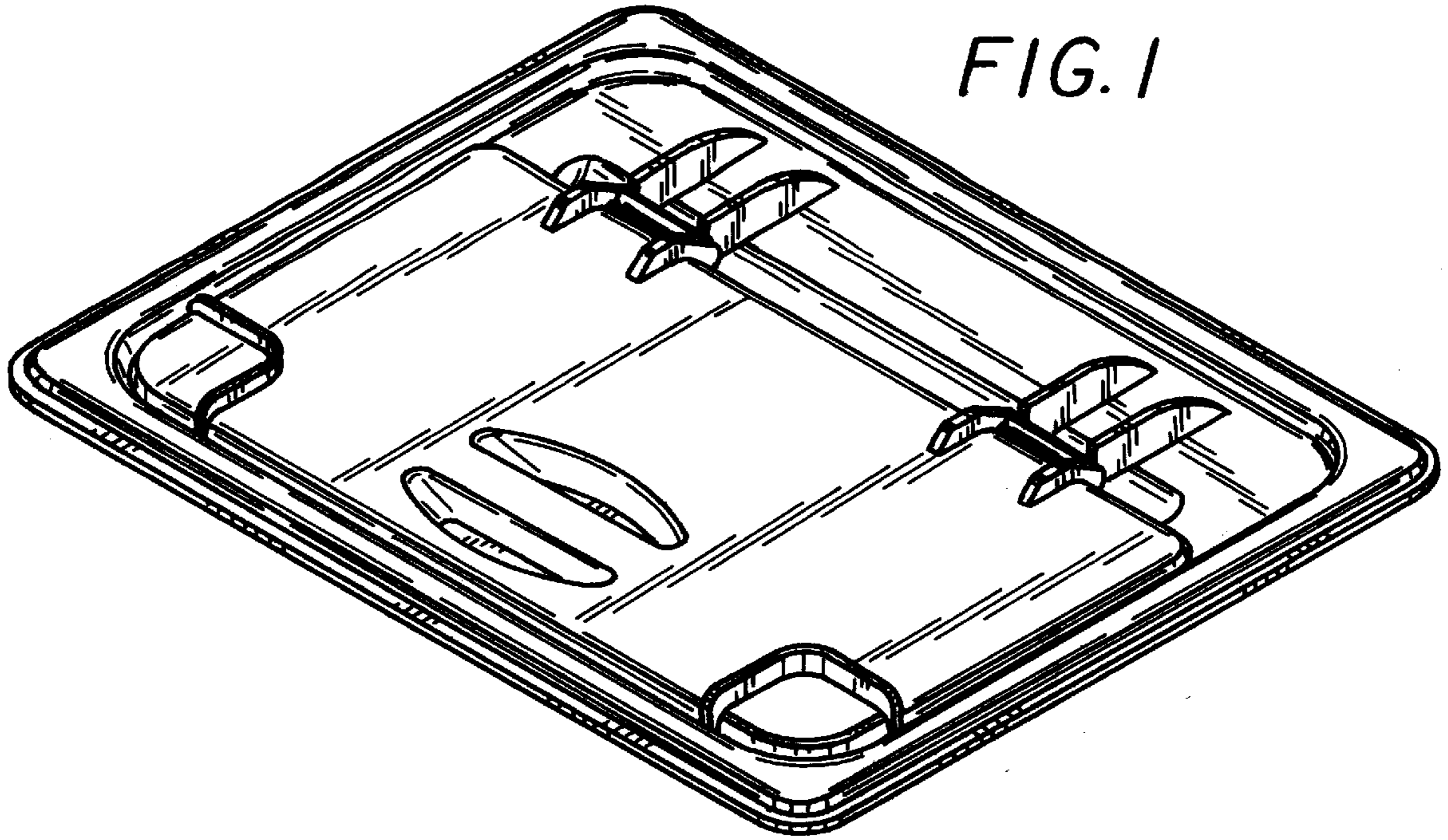


FIG. 1

FIG. 3



FIG. 4



FIG. 5



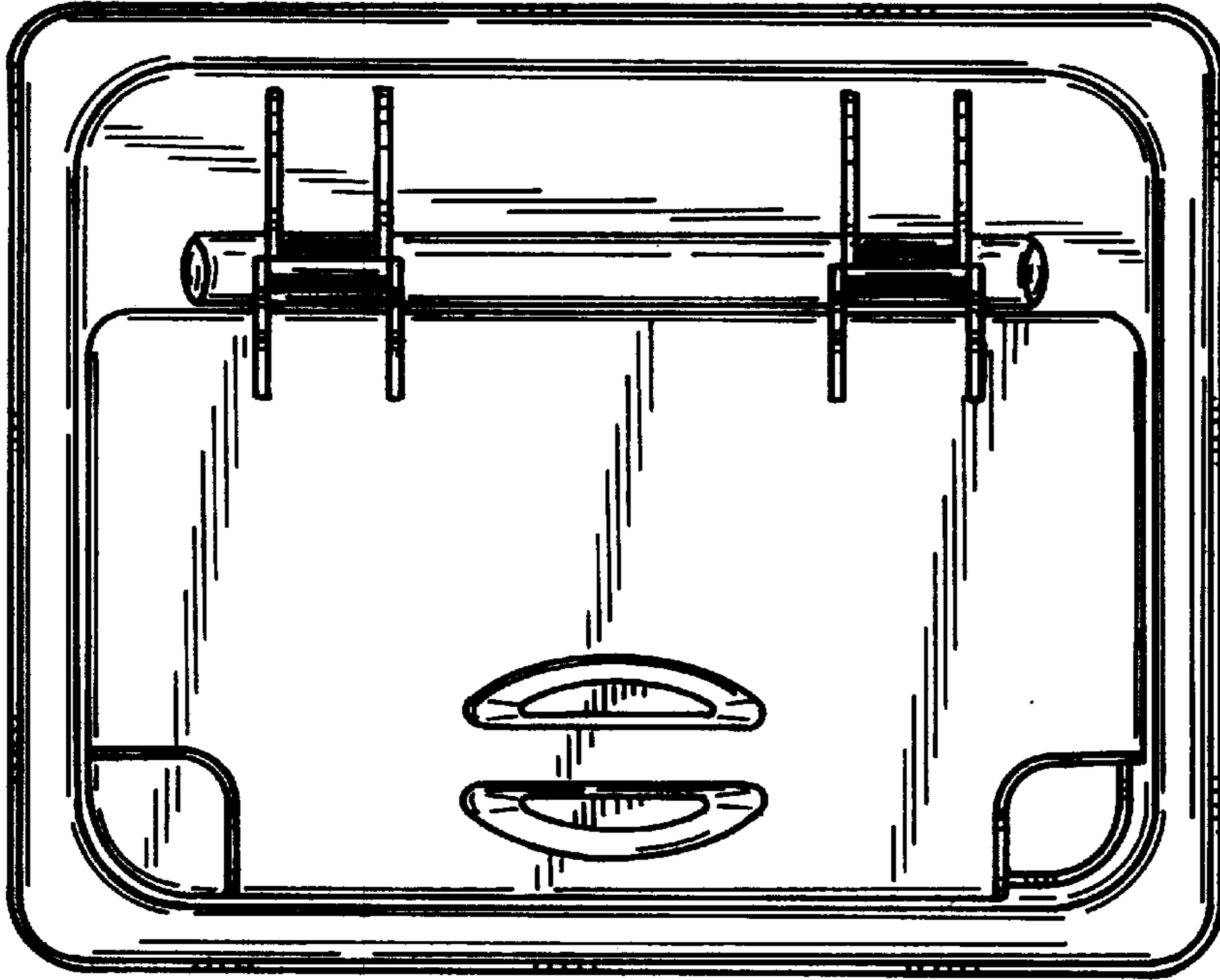


FIG. 2

FIG. 6

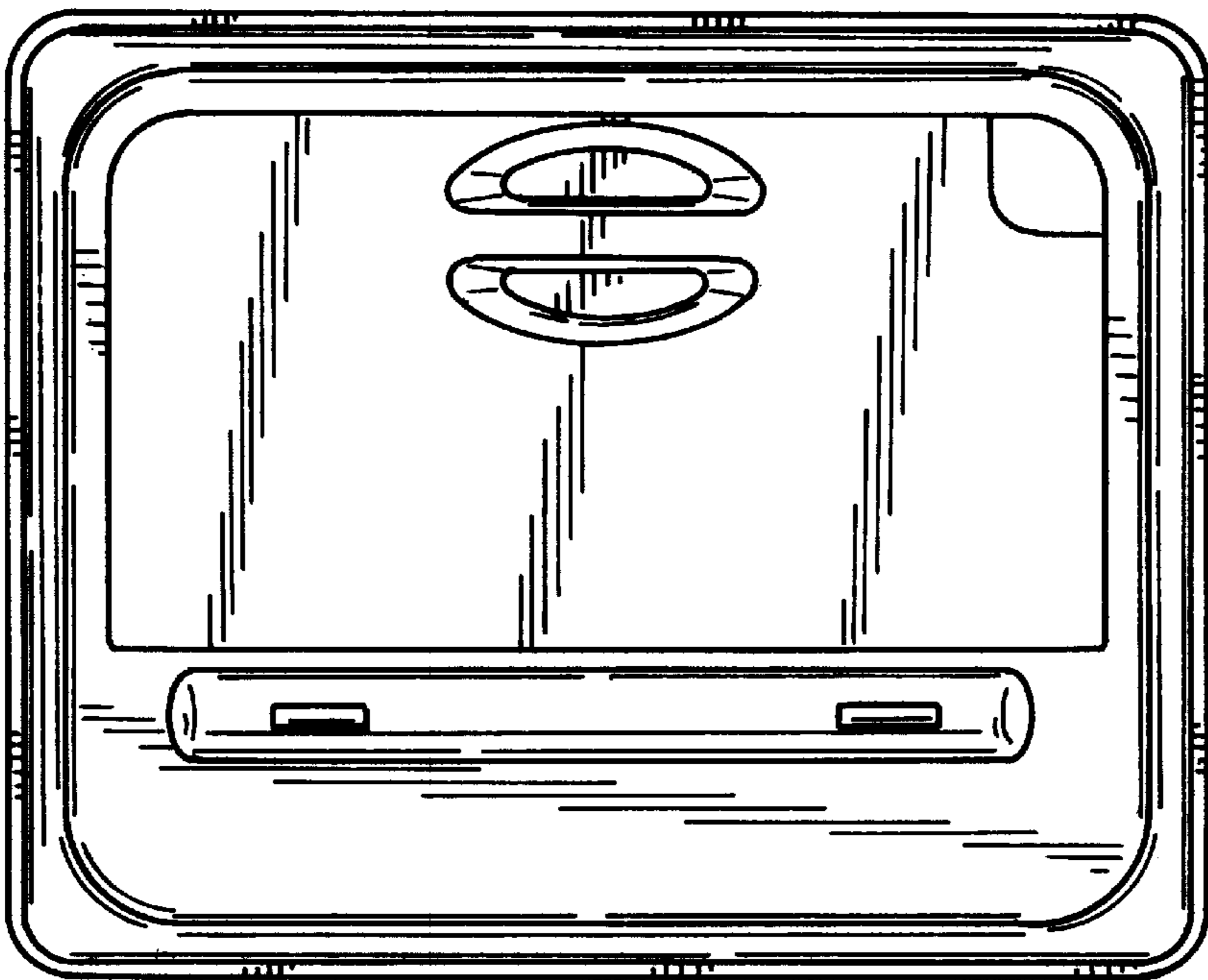


FIG. 7

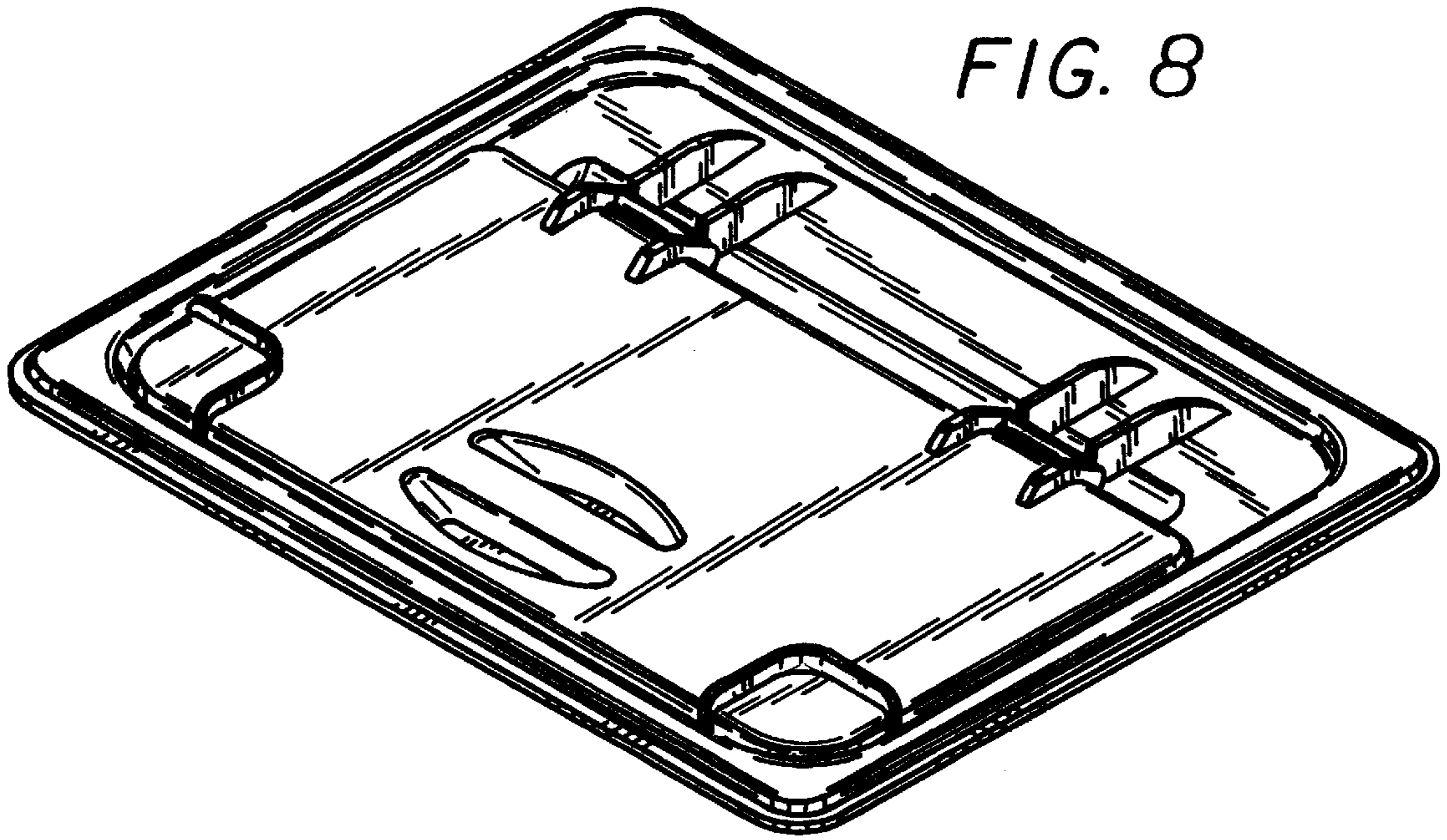


FIG. 8

FIG. 10



FIG. 11



FIG. 12



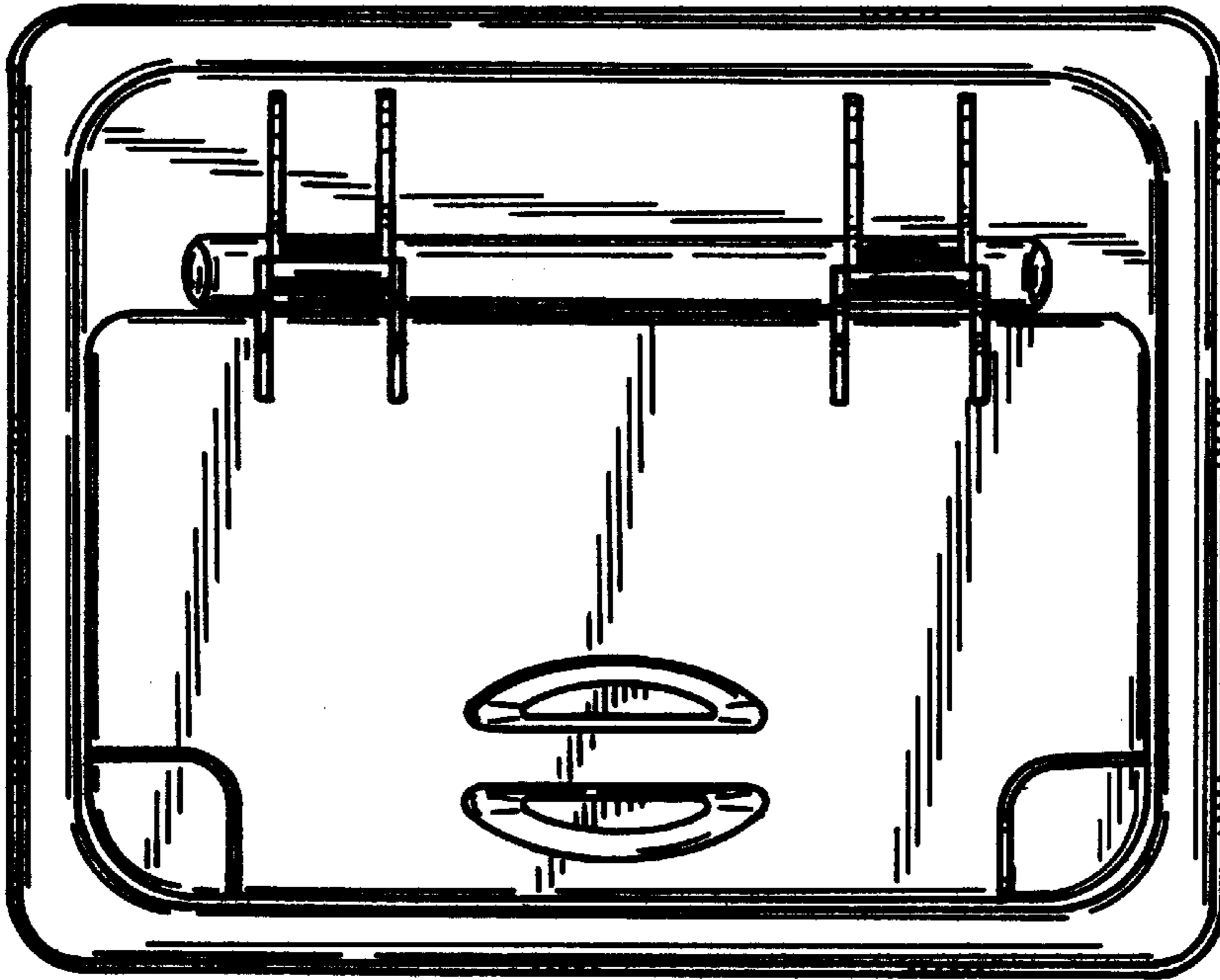


FIG. 9

FIG. 13

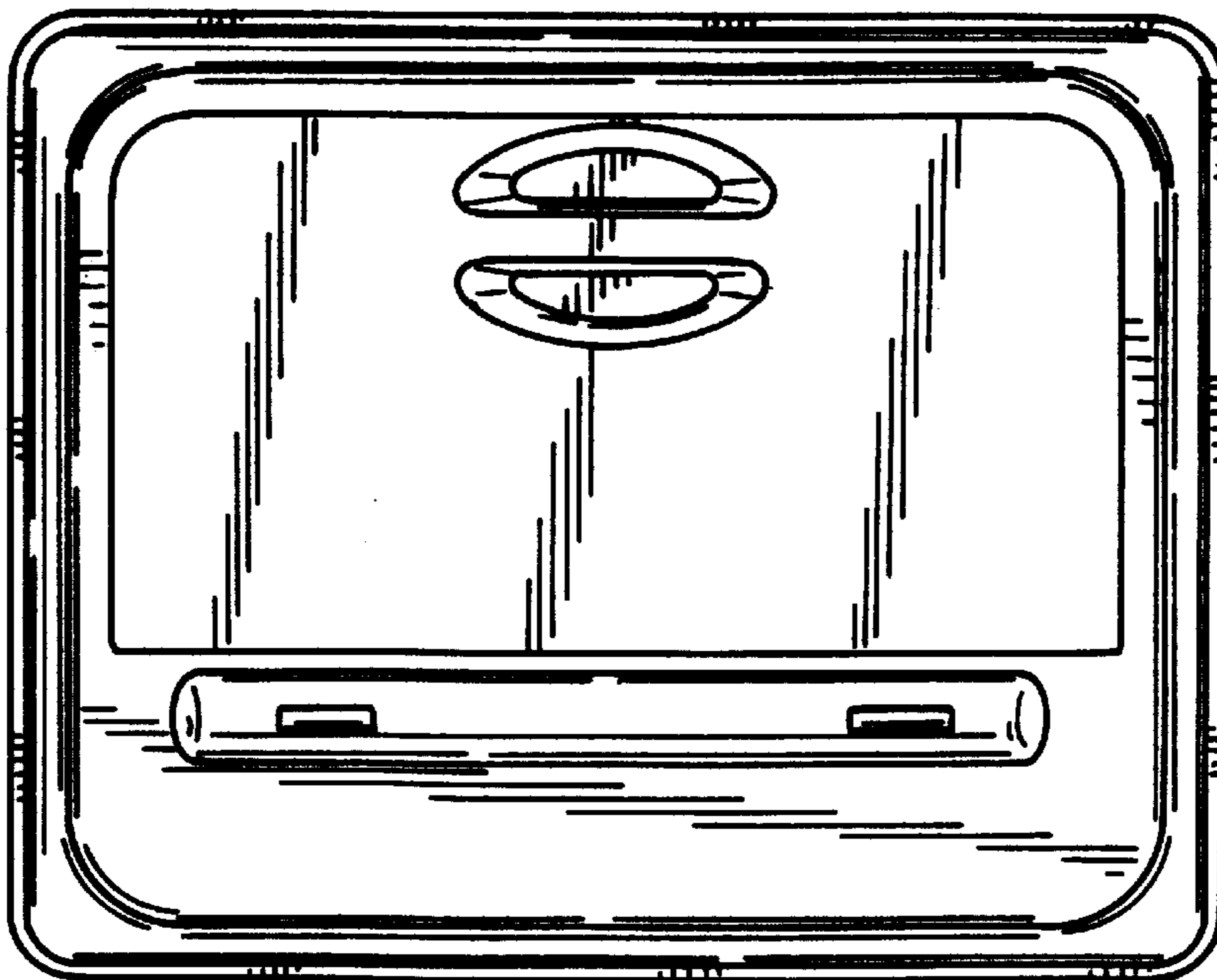


FIG. 14