



US00D420848S

United States Patent [19]
Neidigh

[11] **Patent Number: Des. 420,848**

[45] **Date of Patent: ** Feb. 22, 2000**

[54] **STEAMER**

[75] Inventor: **Brian Neidigh**, Sandwich, Ill.

[73] Assignee: **The Pampered Chef, Ltd.**, Addison, Ill.

[**] Term: **14 Years**

[21] Appl. No.: **29/093,030**

[22] Filed: **Aug. 31, 1998**

[51] **LOC (7) Cl.** **07-02**

[52] **U.S. Cl.** **D7/360**

[58] **Field of Search** D7/354-361, 667;
210/464-467; 222/572, 575; 220/573.1,
574, 912

[56] **References Cited**

U.S. PATENT DOCUMENTS

| | | | | |
|------------|---------|-------------|-------|--------|
| D. 173,716 | 12/1954 | Boldt | | D7/360 |
| D. 275,547 | 9/1984 | Asti et al. | | D7/360 |
| D. 313,727 | 1/1991 | Gamez | | D7/360 |
| D. 347,964 | 6/1994 | Davis | | D7/361 |
| D. 349,420 | 8/1994 | Hasuike | | D7/360 |

| | | | | |
|------------|---------|--------|-------|----------|
| D. 386,940 | 12/1997 | Hess | | D7/361 |
| 4,310,418 | 1/1982 | Busbey | | D7/361 X |
| 5,388,732 | 2/1995 | Greger | | D7/361 X |

OTHER PUBLICATIONS

House and Garden Magazine; p. 168; Rival Crock-pot left side of page, May 1973.

Primary Examiner—Caron D. Veynar
Attorney, Agent, or Firm—Olson & Hierl, Ltd.

[57] **CLAIM**

The ornamental design for a steamer, as shown and described.

DESCRIPTION

FIG. 1 is a perspective view of a steamer showing my new design;
FIG. 2 is a side elevational view thereof;
FIG. 3 is a front elevational view thereof;
FIG. 4 is a top plan view thereof;
FIG. 5 is a bottom plan view thereof;
FIG. 6 is an opposite side elevational view thereof; and,
FIG. 7 is a rear elevational view thereof.

1 Claim, 3 Drawing Sheets

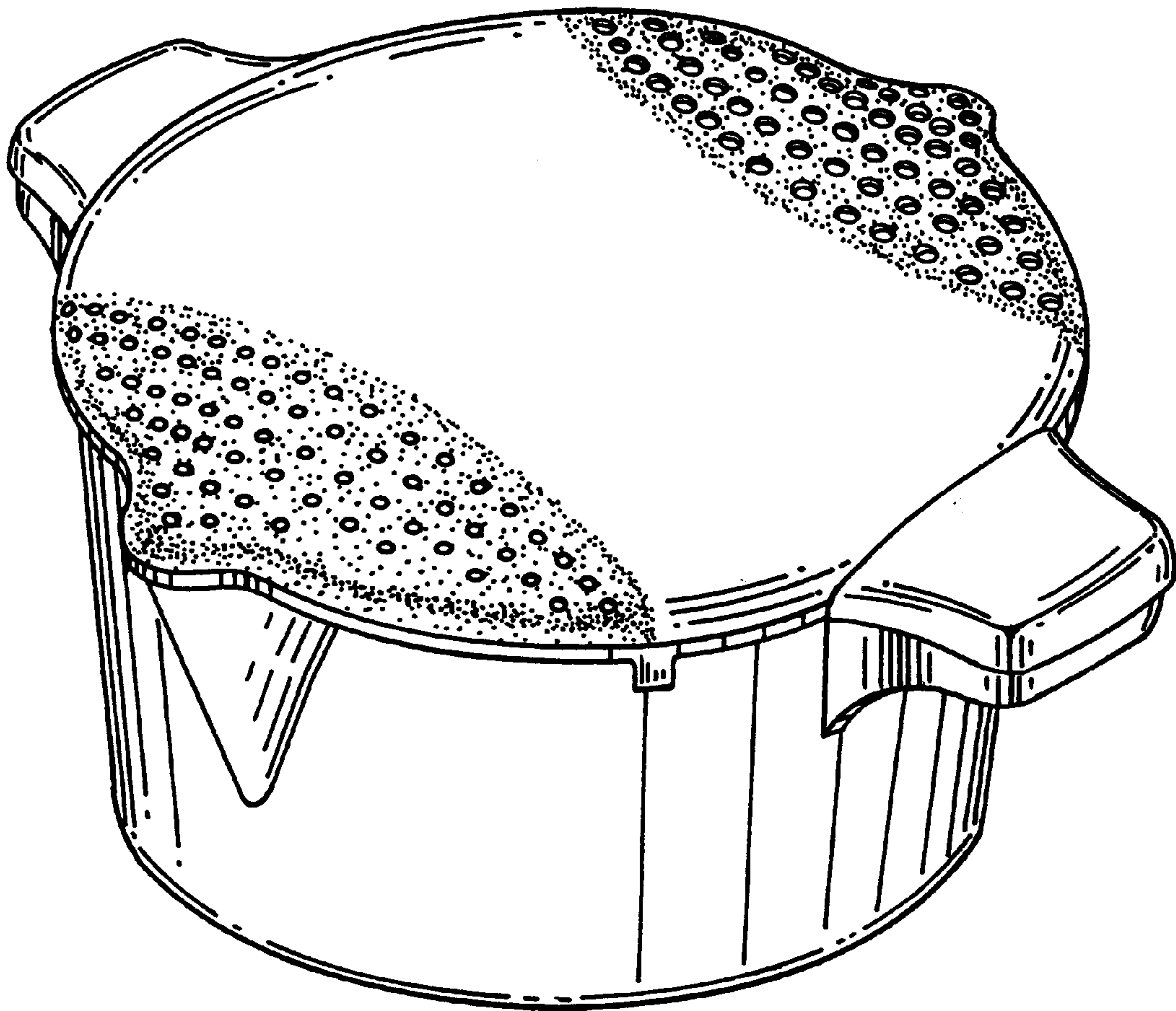


FIG. 1

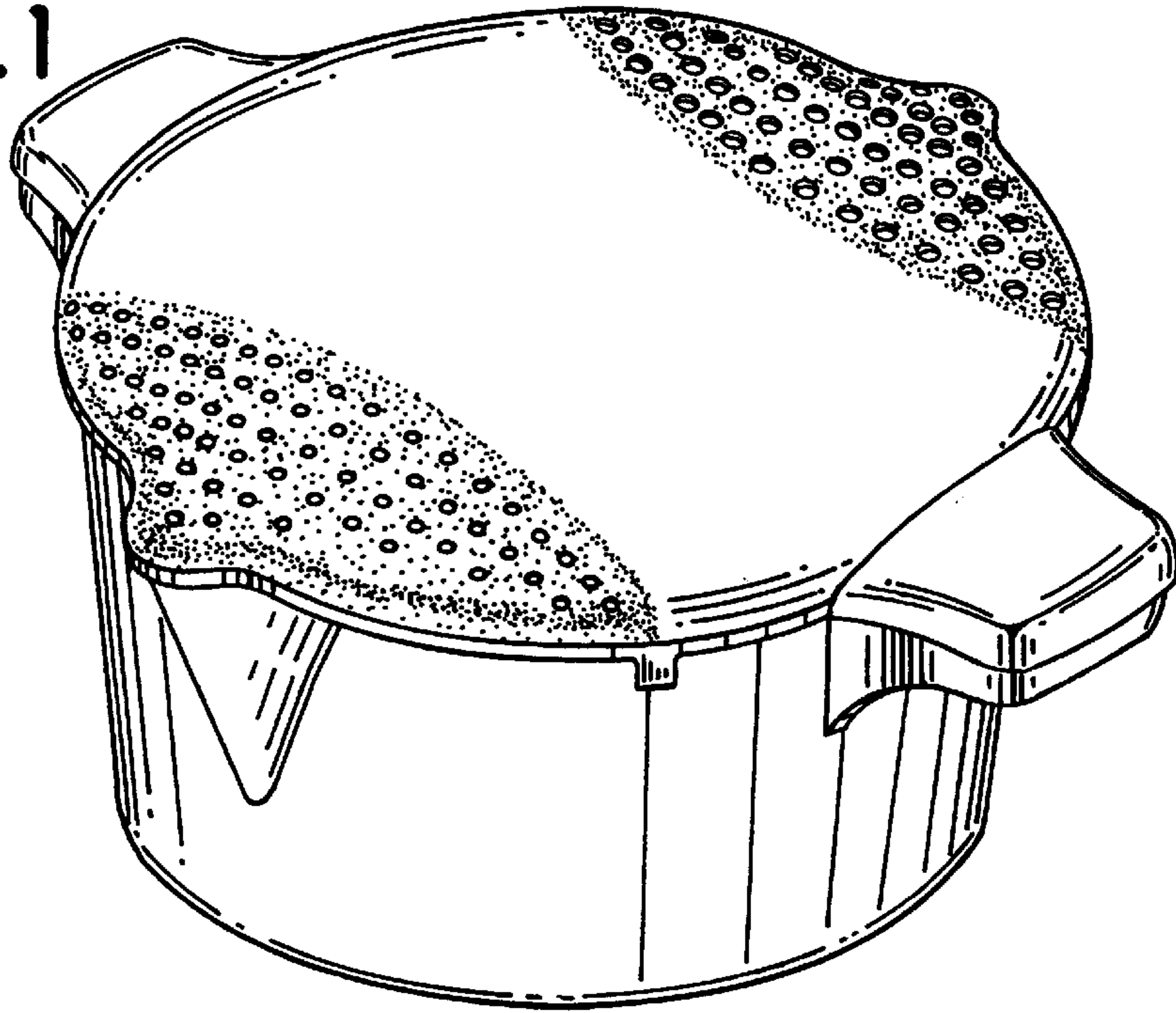


FIG. 2

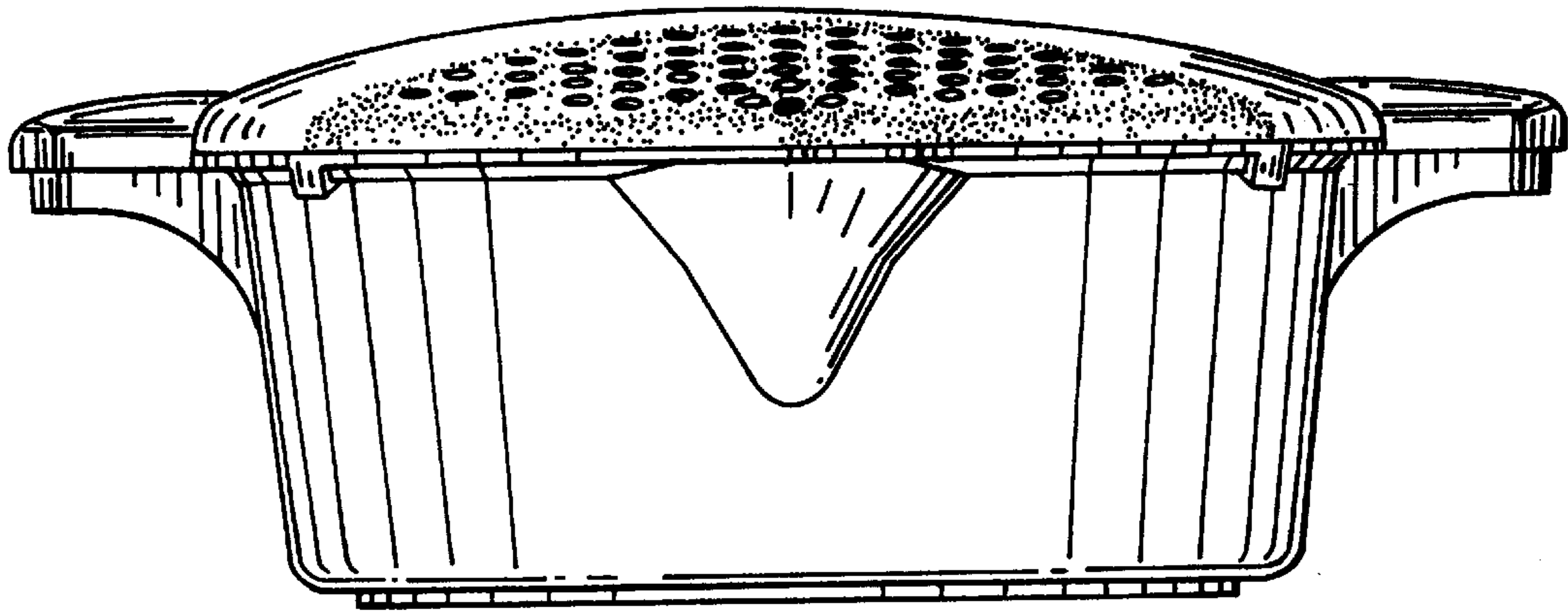
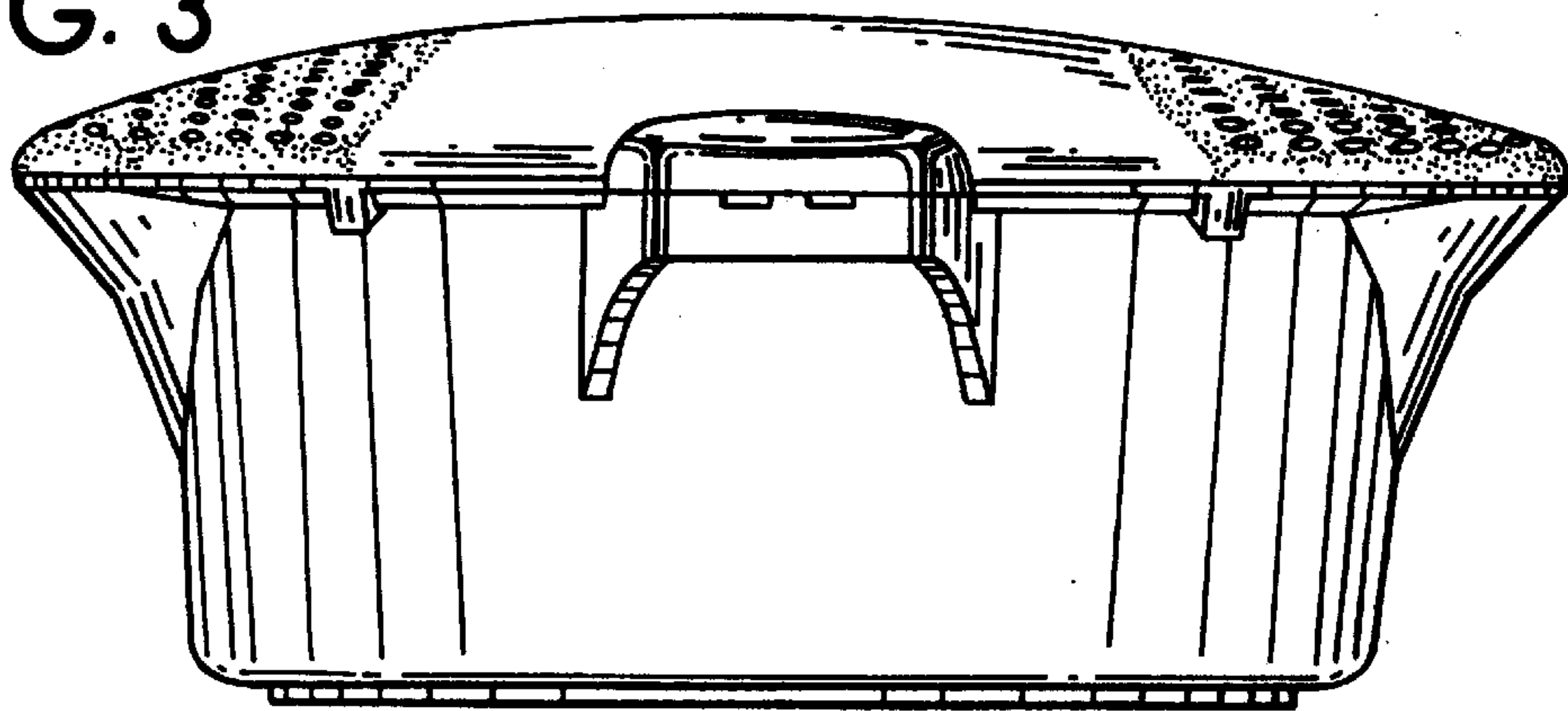


FIG. 3



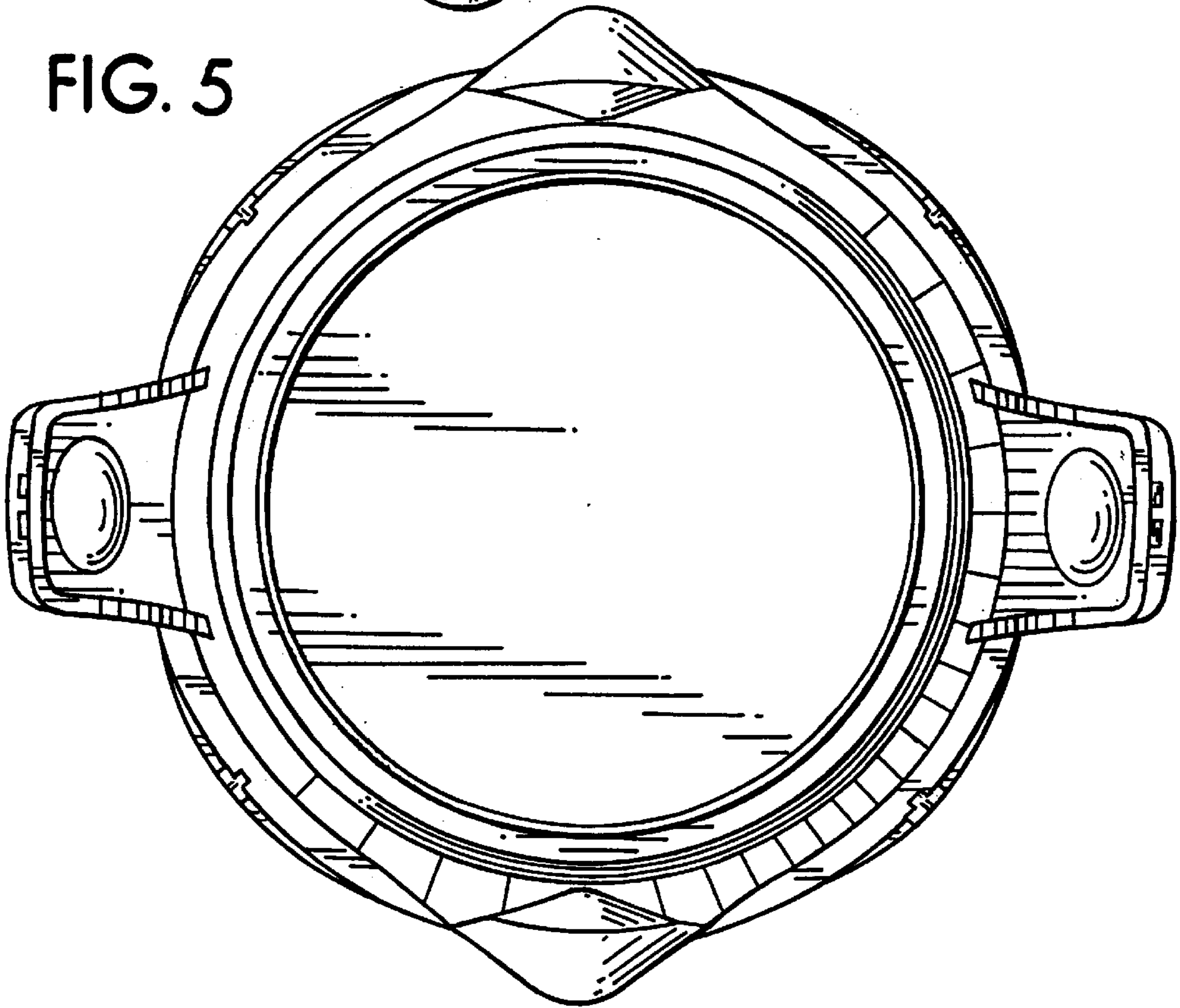
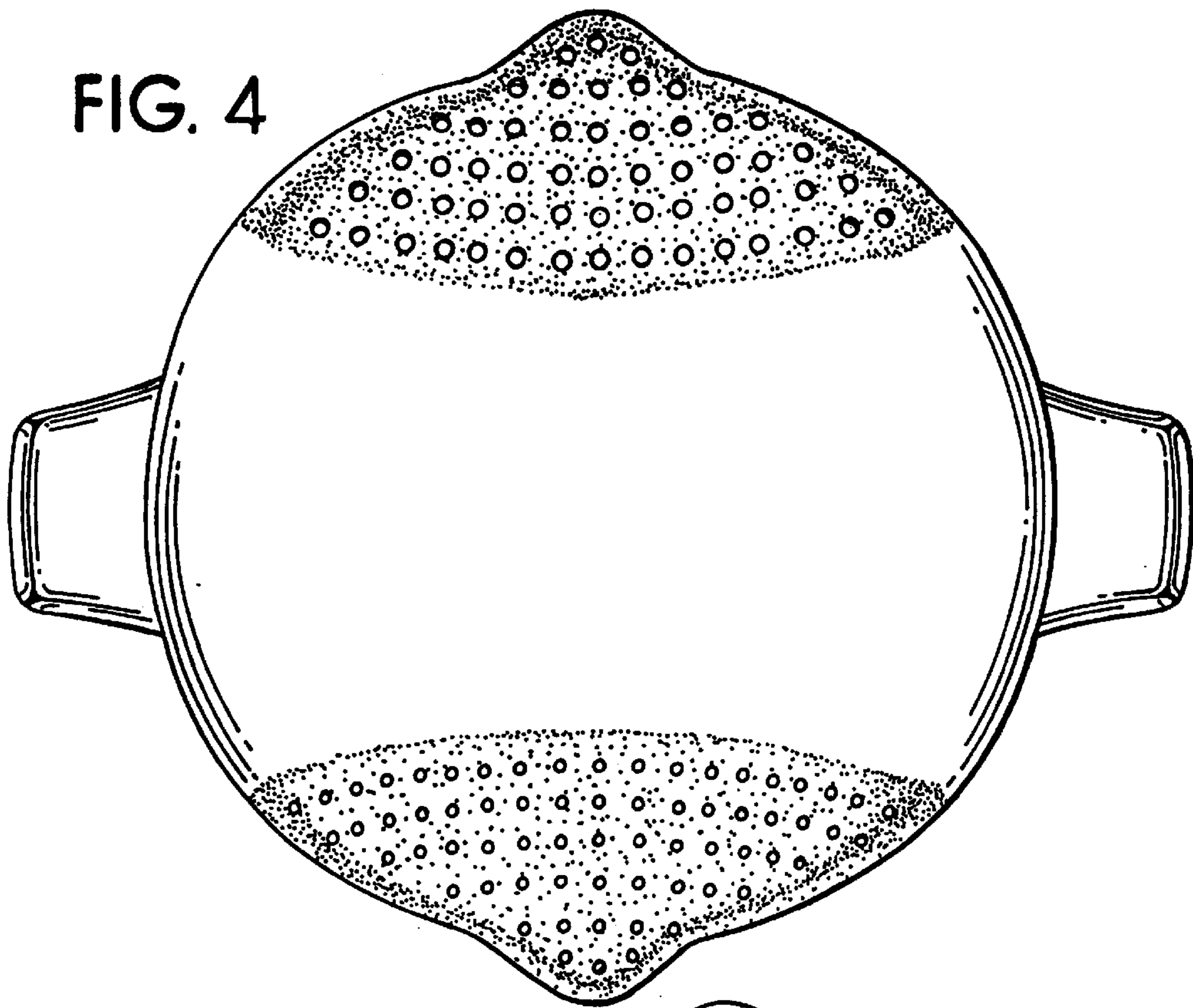


FIG. 6

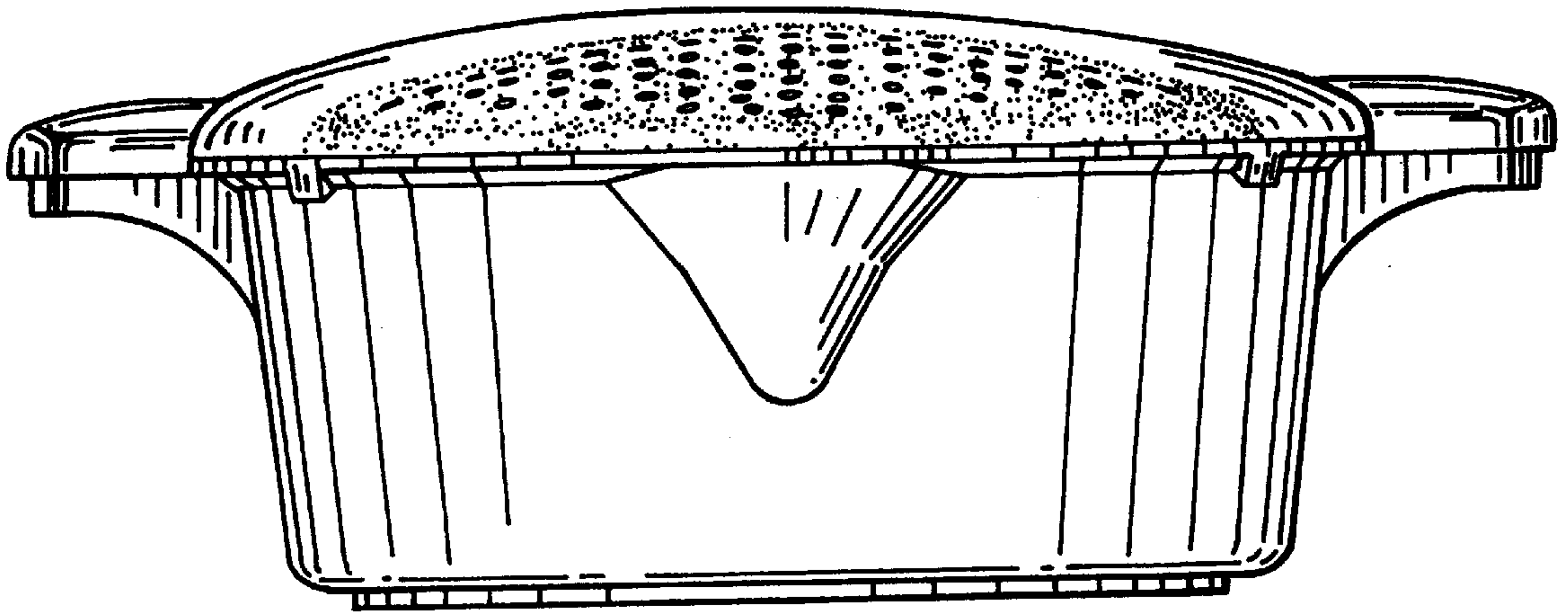


FIG. 7

