



US00D420847S

United States Patent [19] Overfield

[11] Patent Number: **Des. 420,847**

[45] Date of Patent: **** Feb. 22, 2000**

[54] **COMBINED COOKING AND BOILING VESSEL**

[75] Inventor: **David Thomas Overfield**, South Benfleet, United Kingdom

[73] Assignee: **Electrothermal Engineering Limited**, United Kingdom

[**] Term: **14 Years**

[21] Appl. No.: **29/060,093**

[22] Filed: **Sep. 23, 1996**

[30] **Foreign Application Priority Data**

Apr. 6, 1996 [GB] United Kingdom 2056774

[51] **LOC (7) Cl.** **07-02**

[52] **U.S. Cl.** **D7/350**

[58] **Field of Search** D7/323, 347-350;
726/19 R, 20, 21 R, 21 A, 19 M, 273 R,
275 R, 20.1, 275 E; 99/448, 483, 369.2,
403, 330, 336, 359

[56] **References Cited**

U.S. PATENT DOCUMENTS

D. 46,365 9/1914 Horlick D7/348
D. 71,810 1/1927 Olson D7/350
D. 104,444 5/1937 Fader D7/350

D. 189,279 11/1960 Beyrodt D7/350
D. 288,519 3/1987 Taylor D7/348
D. 352,866 11/1994 Kindley et al. D7/351
5,526,802 6/1996 Riezenman 126/275 R

OTHER PUBLICATIONS

Electrothermal Inc.; *Morale Booster—The Mounted Water Rations Heater (MWRH) From Electrothermal*; US Publication No. 759; undated brochure.

Electrothermal Inc.; *Moral Booster—The Cooking And Boiling Vessel From Electrothermal*; Publication No. 746; 1986 brochure (printed in England).

Primary Examiner—Ruth McInroy

Attorney, Agent, or Firm—Oppenheimer Wolff & Donnelly LLP

[57] **CLAIM**

The ornamental design for a combined cooking and boiling vessel, as shown.

DESCRIPTION

FIG. 1 is a top plan view of a combined cooking and boiling vessel showing my new design;

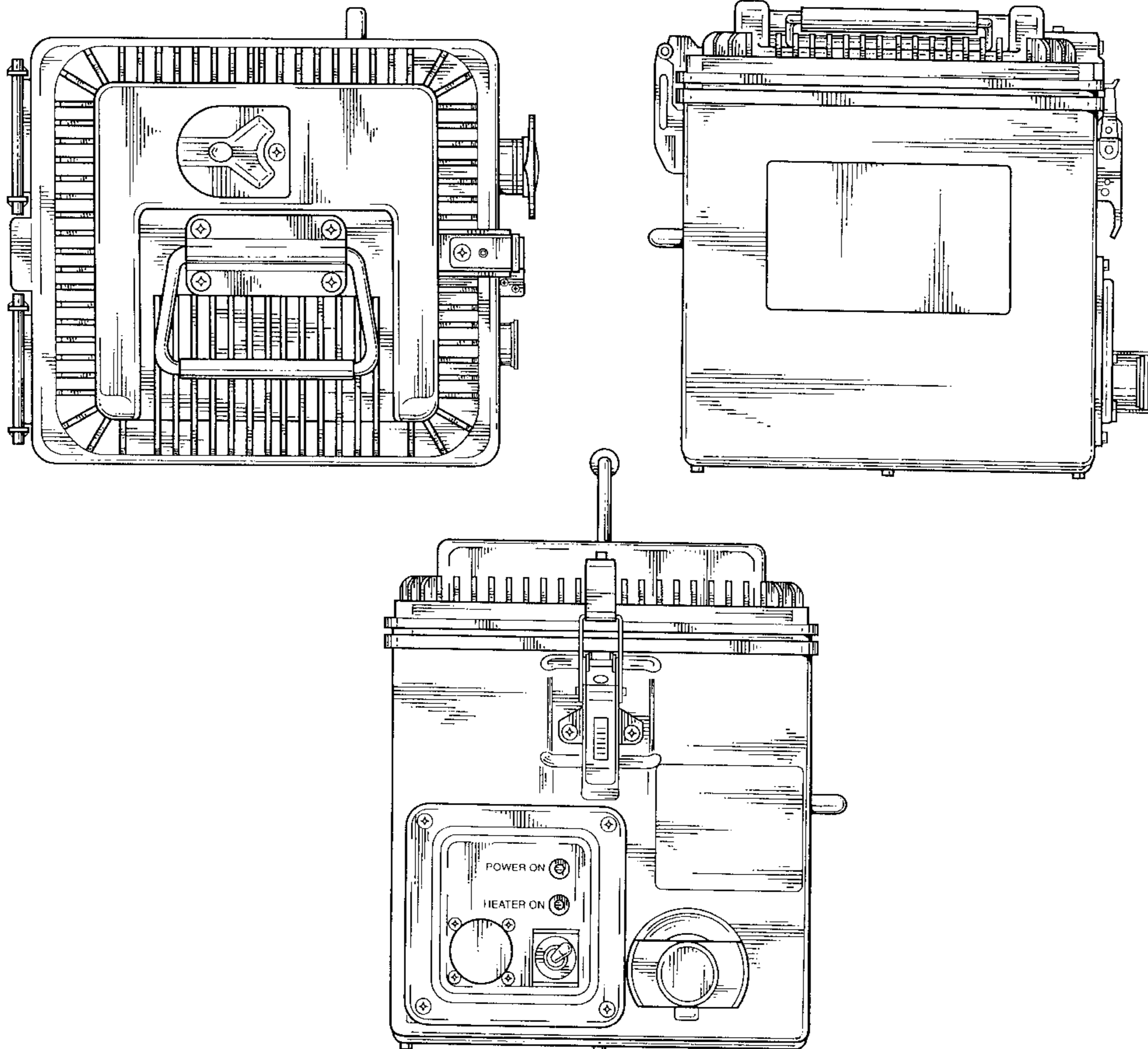
FIG. 2 is a front view thereof;

FIG. 3 is a rear view thereof;

FIG. 4 is a left side view thereof; and,

FIG. 5 is a right side view thereof.

1 Claim, 5 Drawing Sheets



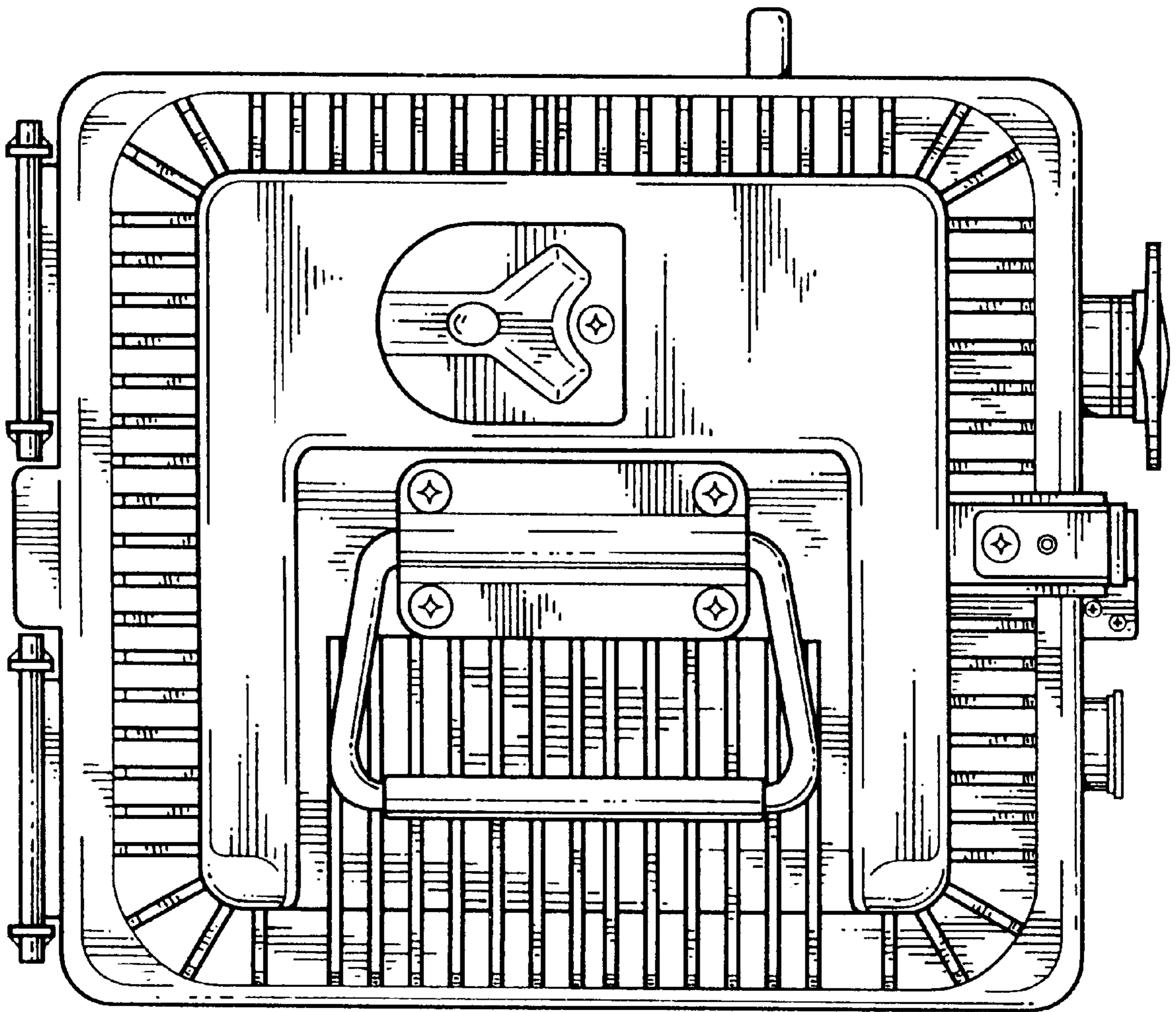


Fig. 1

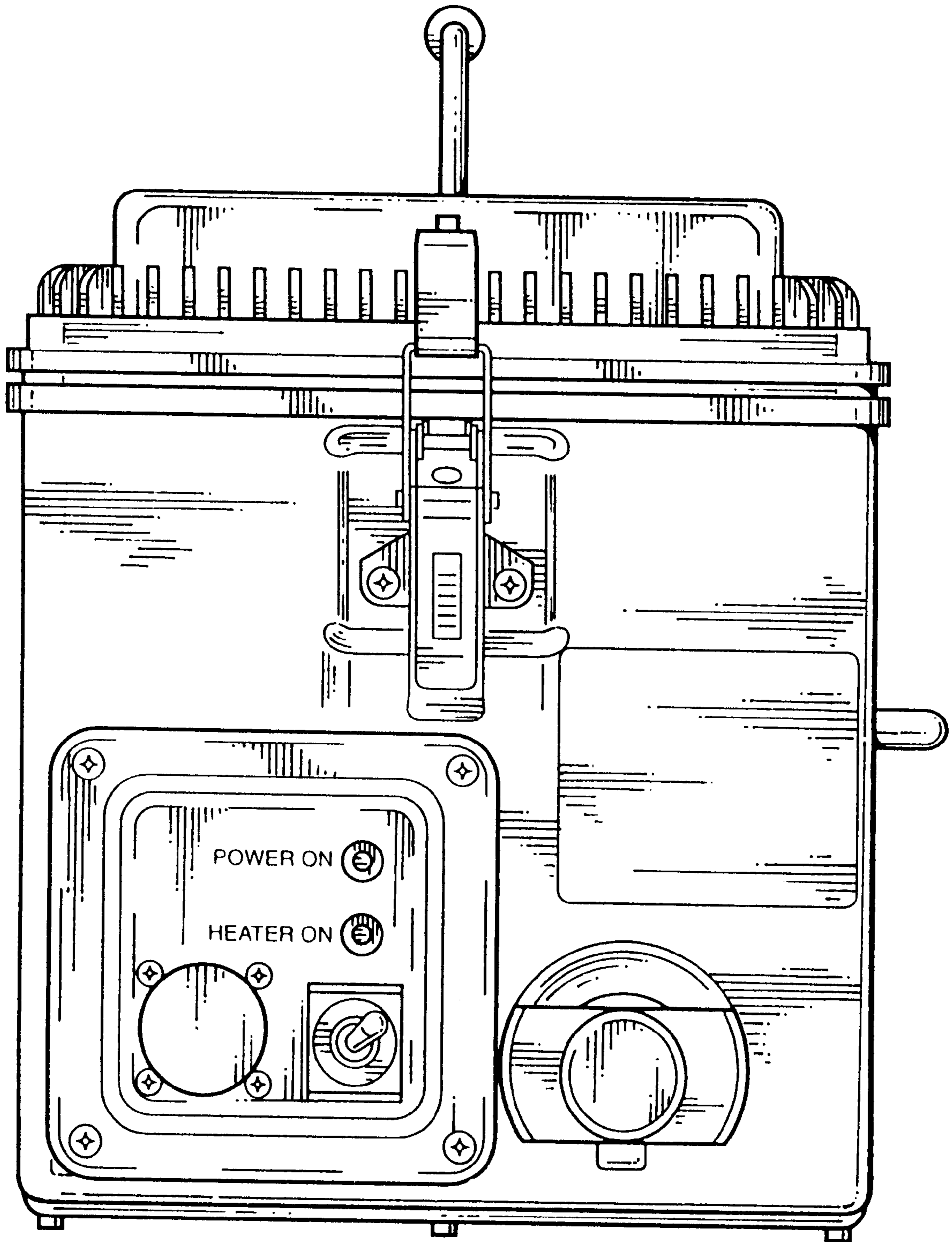


Fig. 2

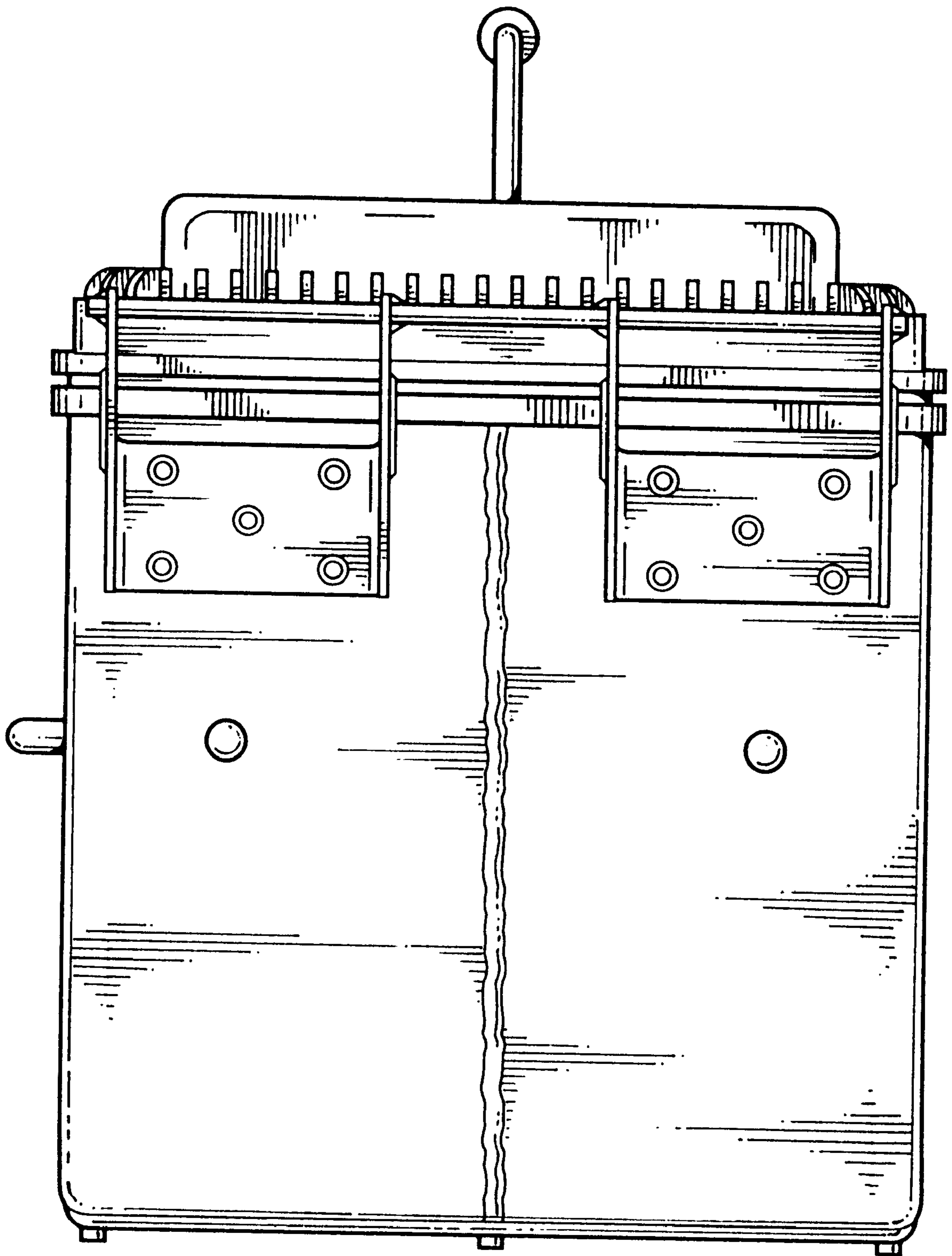


Fig. 3

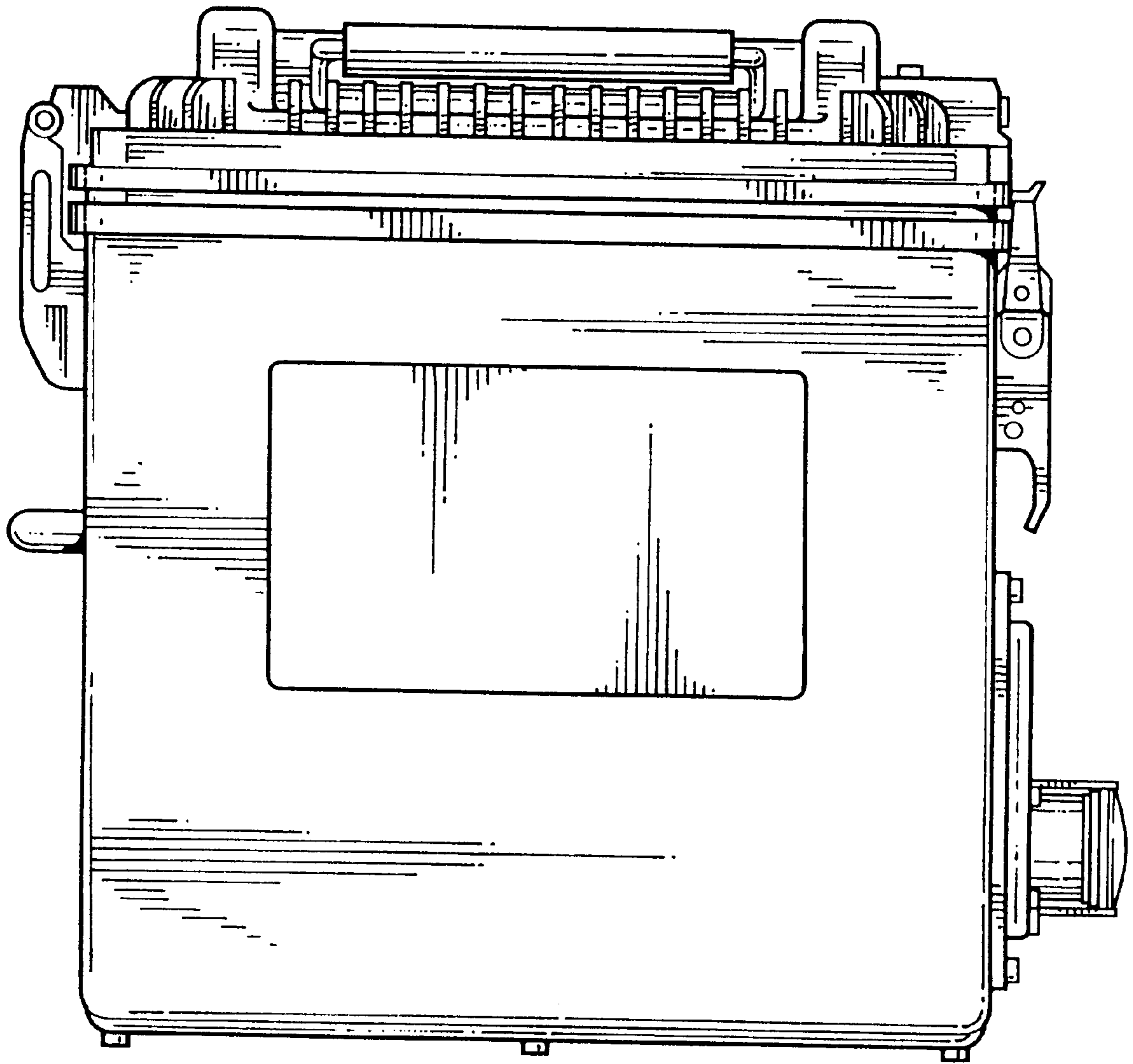


Fig. 4

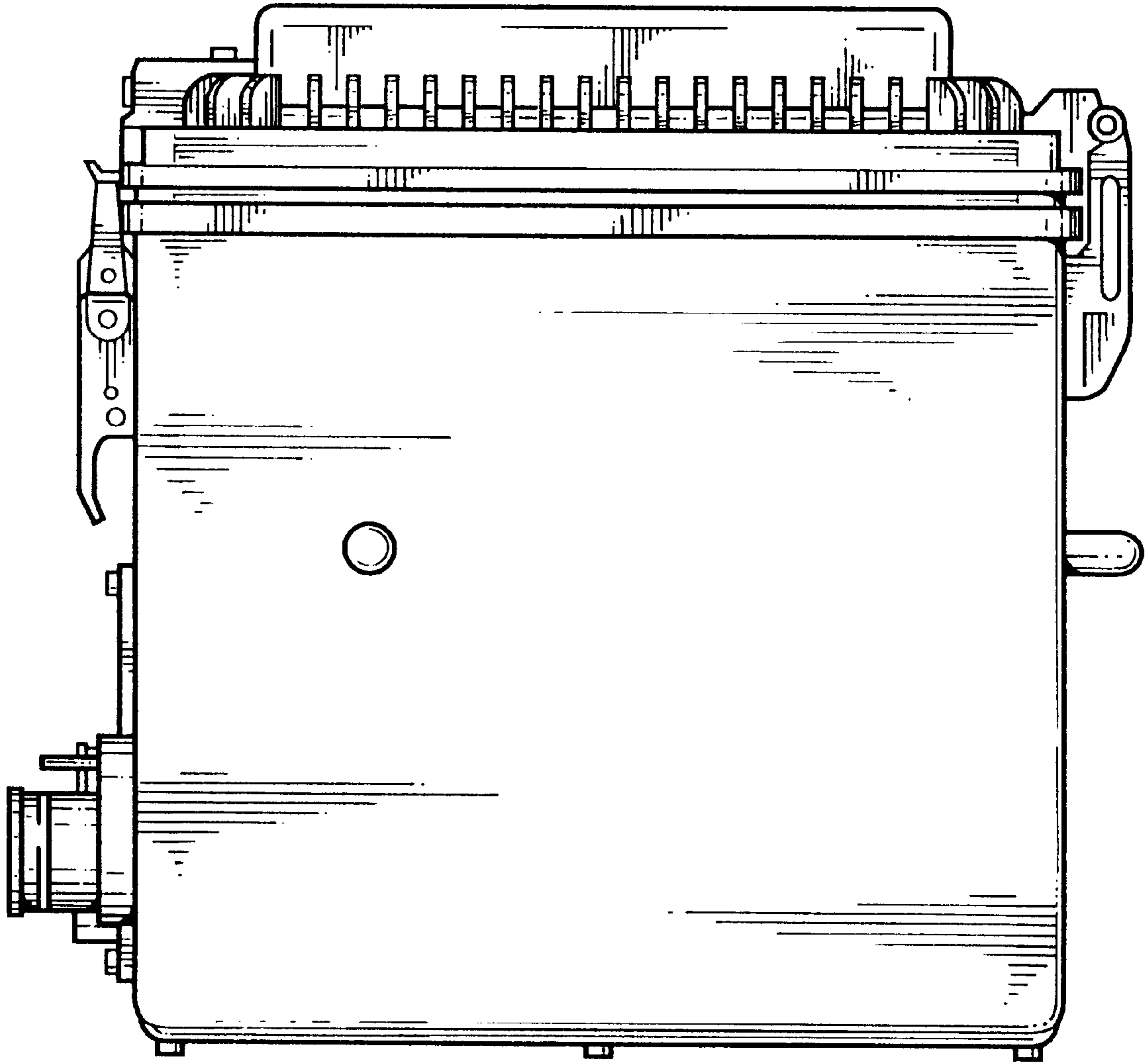


Fig. 5