



US00D420844S

United States Patent [19]
Keilhauer

[11] **Patent Number: Des. 420,844**

[45] **Date of Patent: ** Feb. 22, 2000**

[54] **SEAT CUSHION**

5,237,714 8/1993 Baron 5/636

[76] **Inventor: Ed Keilhauer**, 1450 Birchmount Rd.,
Scarborough, Ontario, Canada, M1P
2E3

Primary Examiner—Janice E. Seeger
Attorney, Agent, or Firm—Oldham & Oldham Co., LPA

[**] **Term: 14 Years**

[57] **CLAIM**

The ornamental design for a seat cushion, as shown and described.

[21] **Appl. No.: 29/101,176**

DESCRIPTION

[22] **Filed: Feb. 26, 1999**

[30] **Foreign Application Priority Data**

Sep. 2, 1998 [CA] Canada 1998-2113

FIG. 1 is a three-quarter perspective view of a new design of a seat cushion;

[51] **LOC (7) Cl. 06-09**

FIG. 2 is a top plan view of the design shown in FIG. 1;
FIG. 3 is a front elevational view of the design shown in FIG. 2;

[52] **U.S. Cl. D6/601; D6/502**

FIG. 4 is a rear elevational view of the design shown in FIG. 2;

[58] **Field of Search** D6/595, 596, 601,
D6/604, 502; 5/630, 636, 637, 652, 653,
654, 655, 655.4, 655.5, 655.9, 656; 297/452.21,
452.23, 452.26

FIG. 5 is a side elevational view taken from the left side of the seat cushion as shown in FIG. 2, the right side view being a mirror image thereof;

[56] **References Cited**

U.S. PATENT DOCUMENTS

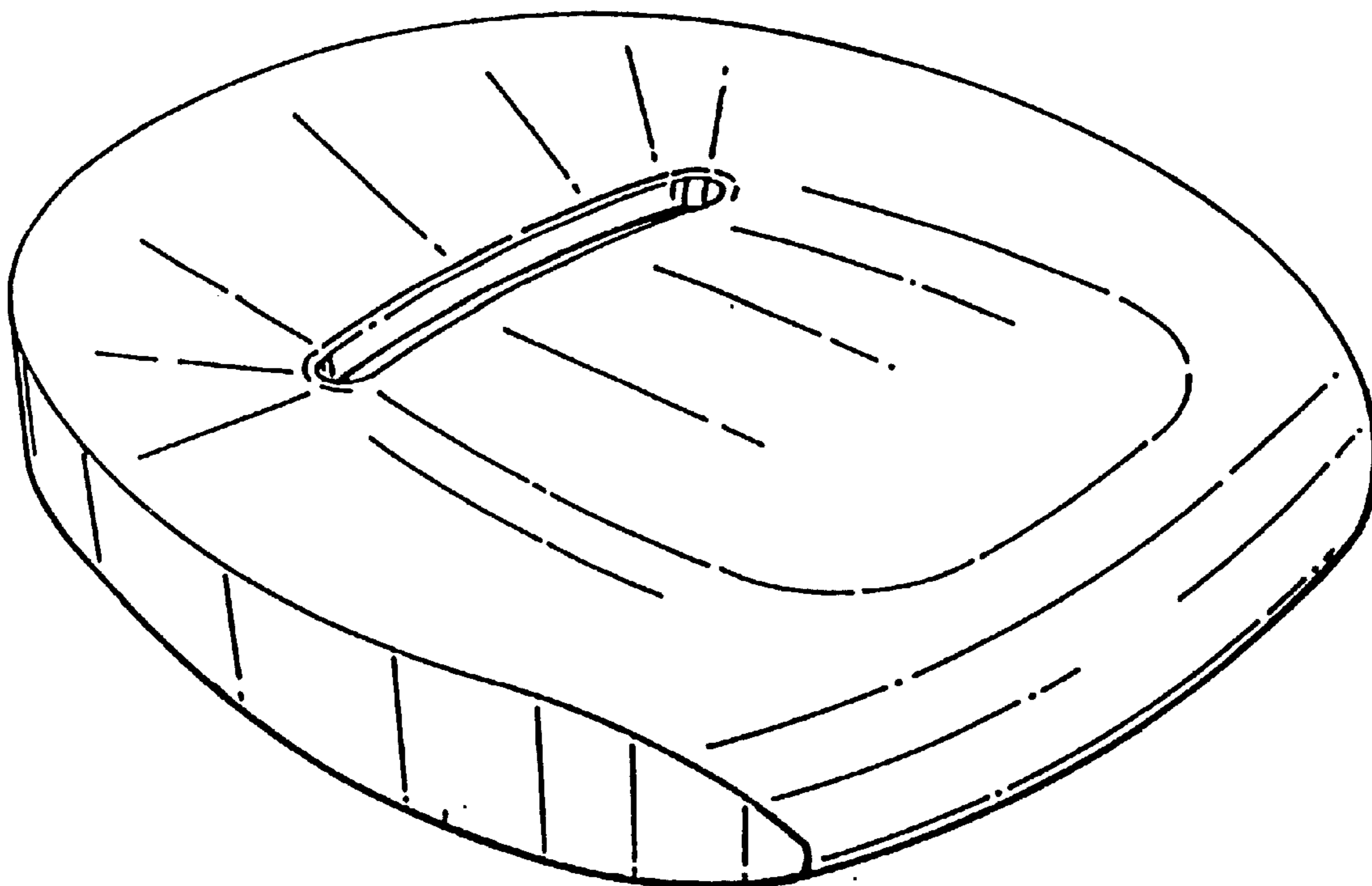
D. 123,573 11/1940 Rideout D6/502
1,830,570 11/1931 Smith et al. 5/655.3
3,323,151 6/1967 Lerman 5/652
3,389,936 6/1968 Drabert D6/502

FIG. 6 is a bottom plan view of the design as shown in FIG. 2 showing cross-sectional indices;

FIG. 7 is a cross-sectional view of the design along the line 7—7 with reference to FIG. 6; and,

FIG. 8 is a cross-sectional view of the design along the line 8—8 with reference to FIG. 6.

1 Claim, 2 Drawing Sheets



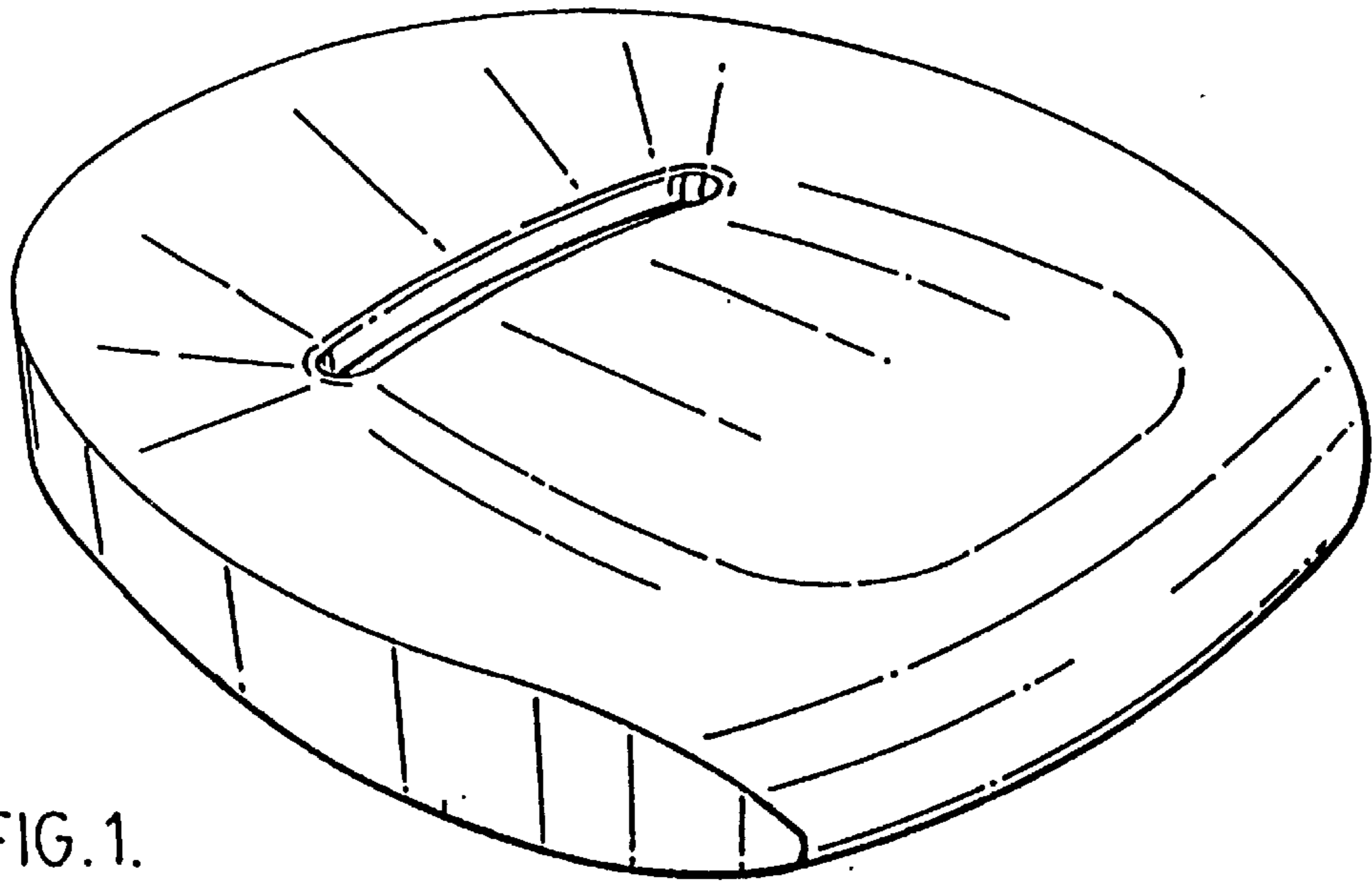
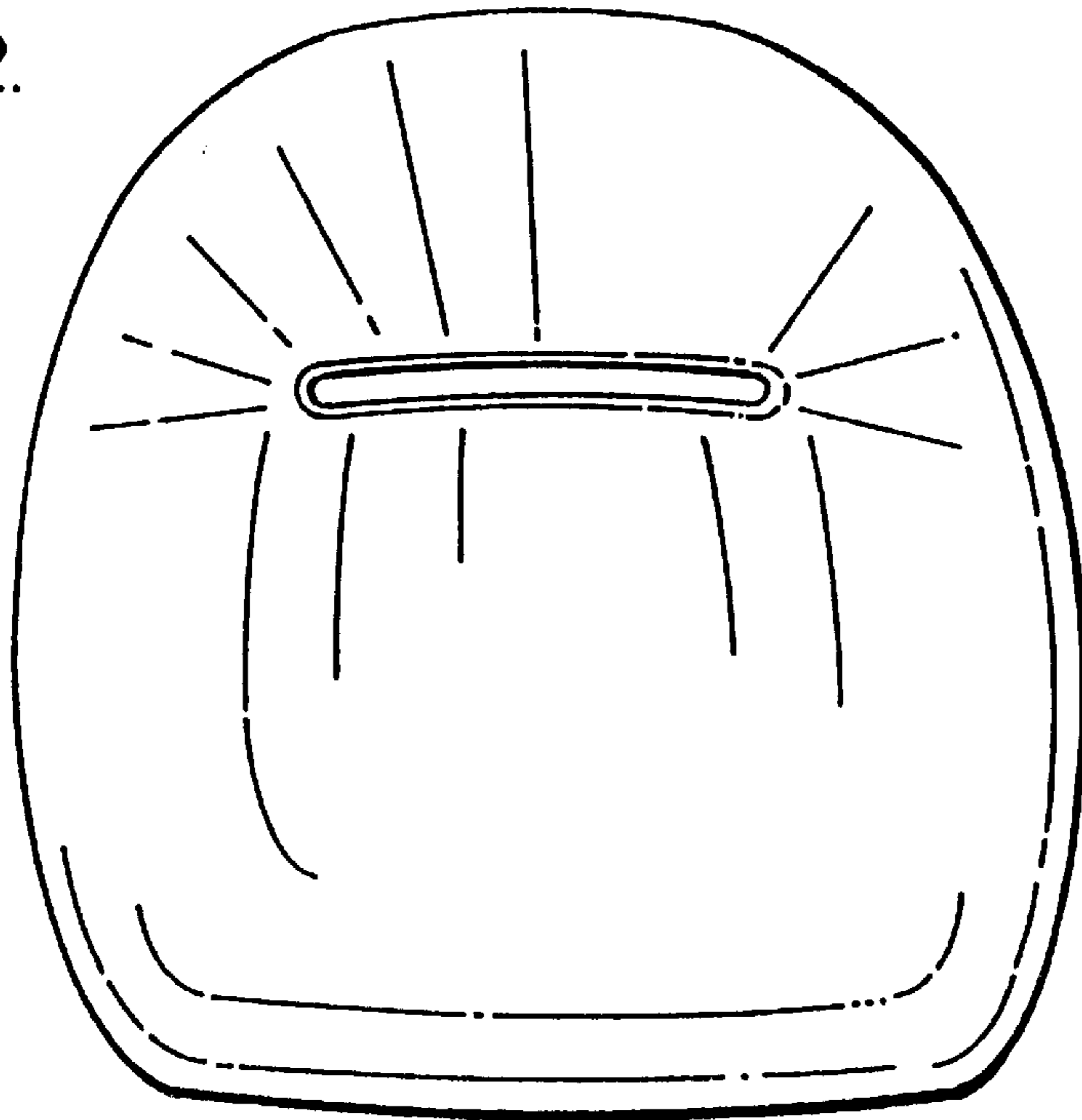


FIG. 1.

FIG. 2.



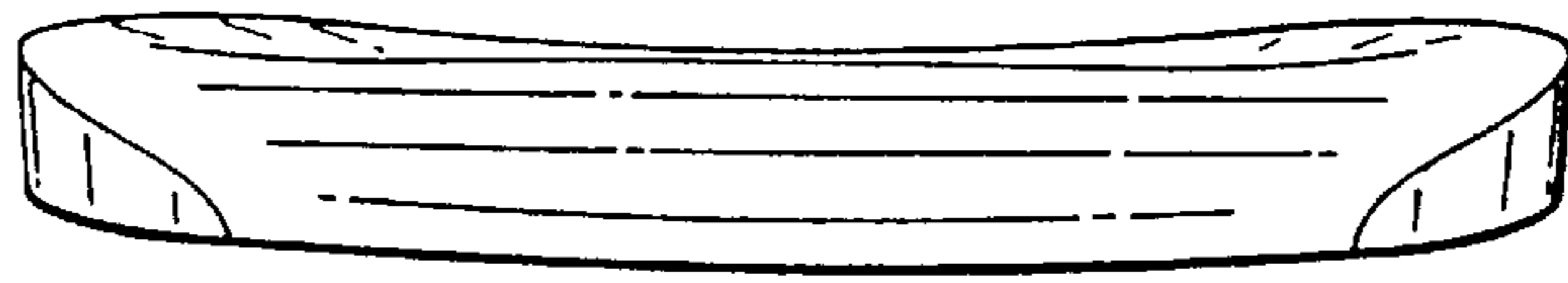


FIG. 3.

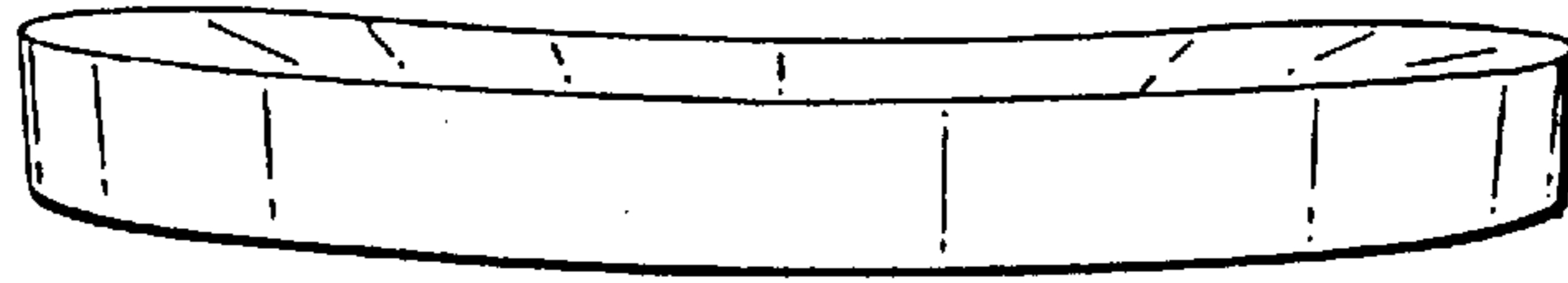


FIG. 4.

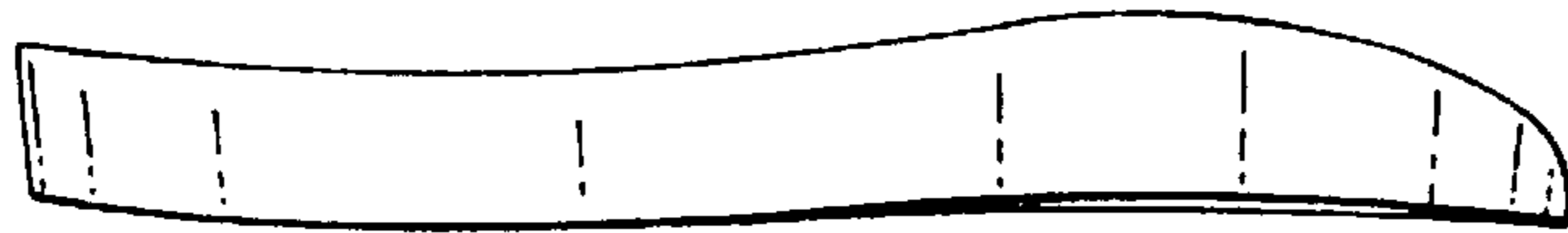


FIG. 5.



FIG. 7.

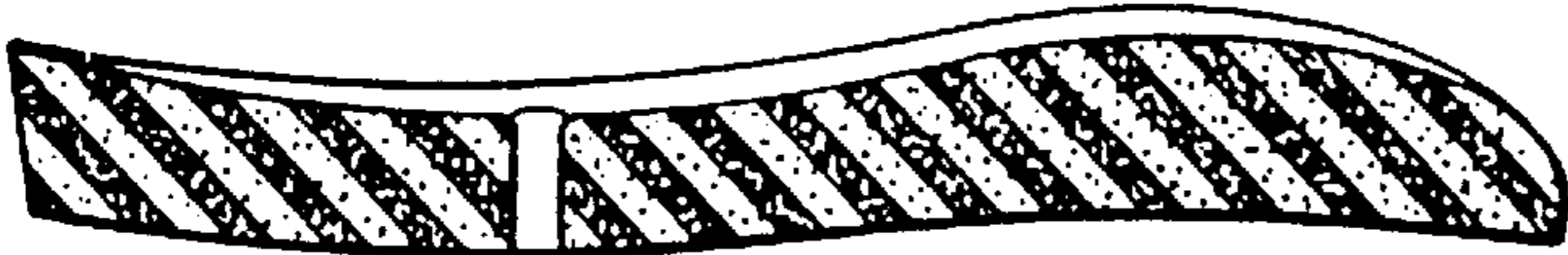


FIG. 8.

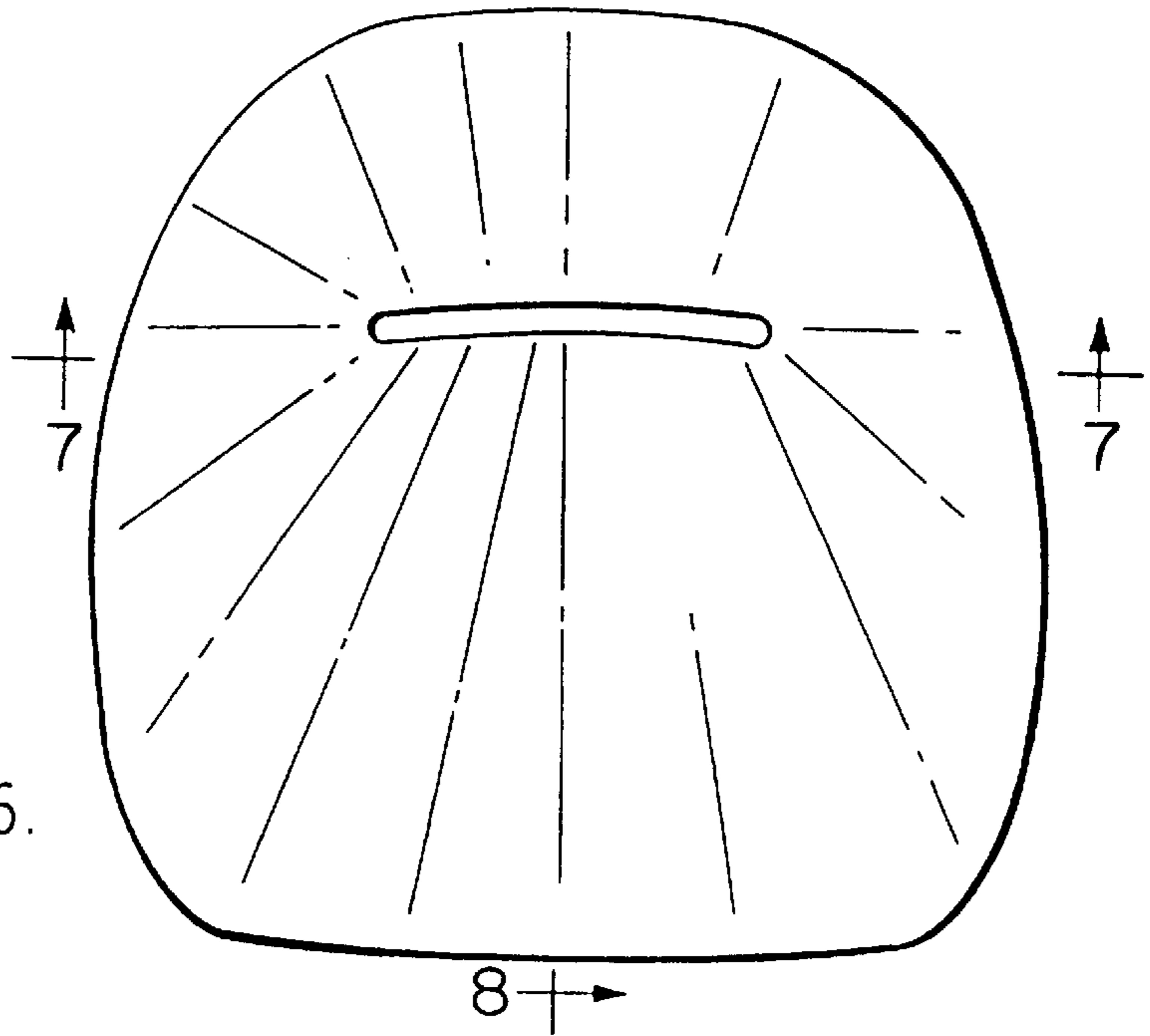
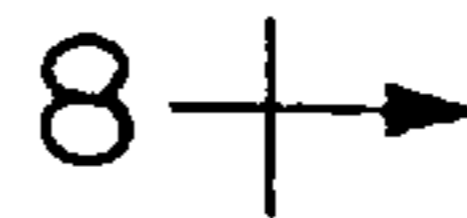


FIG. 6.

