



US00D420843S

# United States Patent [19] Cardillo

[11] Patent Number: Des. 420,843

[45] Date of Patent: \*\* Feb. 22, 2000

[54] TOOTHPASTE DISPENSER

[76] Inventor: Michael Thomas Cardillo, 12121 Little Rd., Suite 175, Hudson, Fla. 34667

[\*\*] Term: 14 Years

[21] Appl. No.: 29/103,461

[22] Filed: Apr. 15, 1999

[51] LOC (7) Cl. .... 07-07

[52] U.S. Cl. .... D6/541

[58] Field of Search ..... D6/541; 222/95, 222/96, 98, 99, 101, 103, 105; 206/277; 248/108

[56] **References Cited**

U.S. PATENT DOCUMENTS

D. 119,765	4/1940	Nixon	.....	D6/541
D. 217,263	4/1970	Manning	.....	D6/541
D. 398,467	9/1998	Kunik	.....	D6/541
1,514,018	11/1924	Sharpe	.	

1,660,035	2/1928	Fitch	.....	222/95 X
1,924,195	8/1933	Miles	.	
2,168,080	8/1939	Allen	.	
3,946,904	3/1976	Mulakala	.	
4,019,655	4/1977	Moeller	.	
5,203,473	4/1993	Willey	.	
5,868,282	2/1999	Imhoff	.	

Primary Examiner—Brian N. Vinson  
Attorney, Agent, or Firm—Dennis G. LaPointe

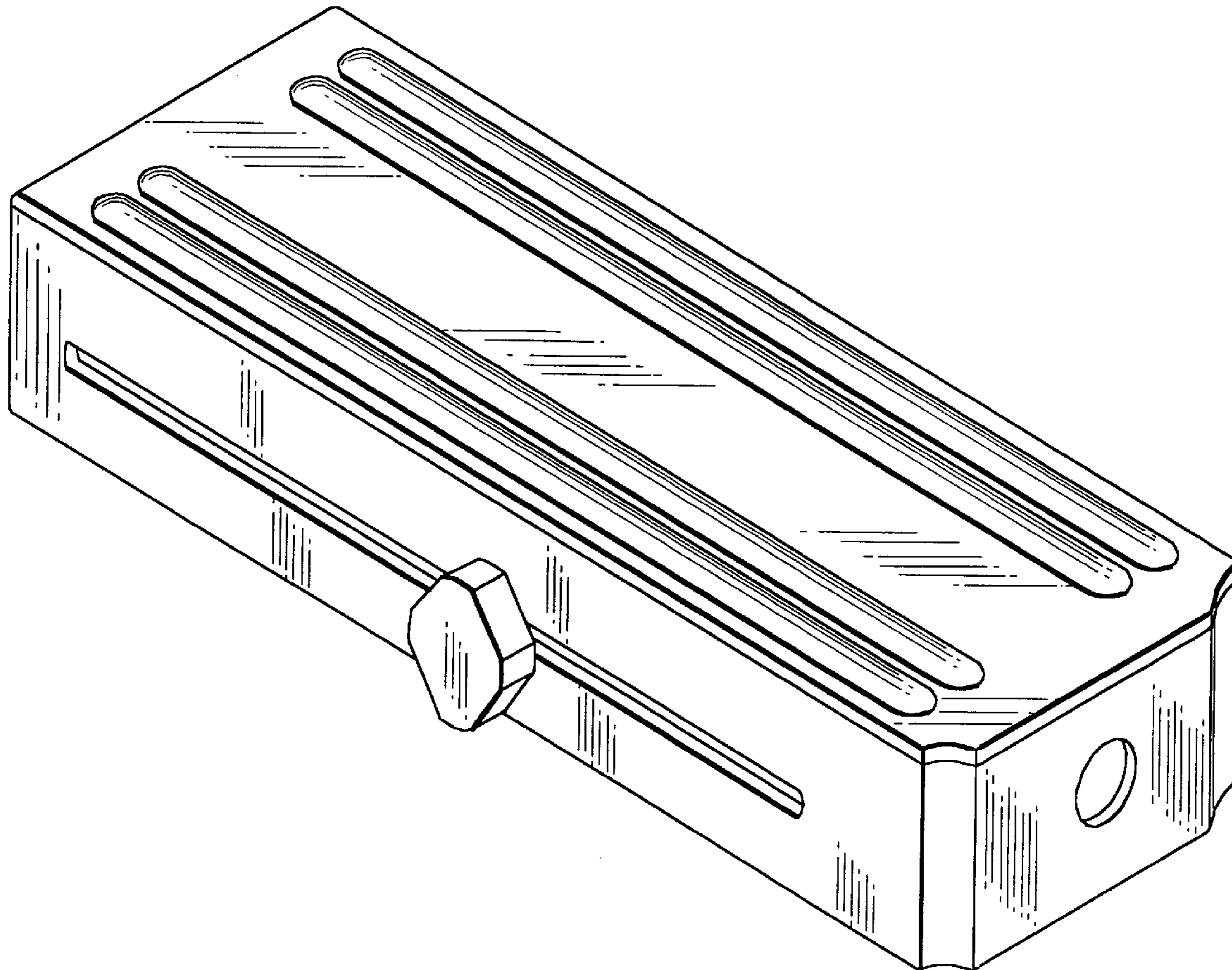
[57] **CLAIM**

I claim the ornamental design for toothpaste dispenser, as shown and described.

**DESCRIPTION**

FIG. 1 is a top plan view of the design;  
FIG. 2 is a side elevational view thereof;  
FIG. 3 is a bottom view thereof;  
FIG. 4 is a front elevational view thereof;  
FIG. 5 is a rear elevational view thereof; and,  
FIG. 6 is a perspective view of the design.

1 Claim, 3 Drawing Sheets



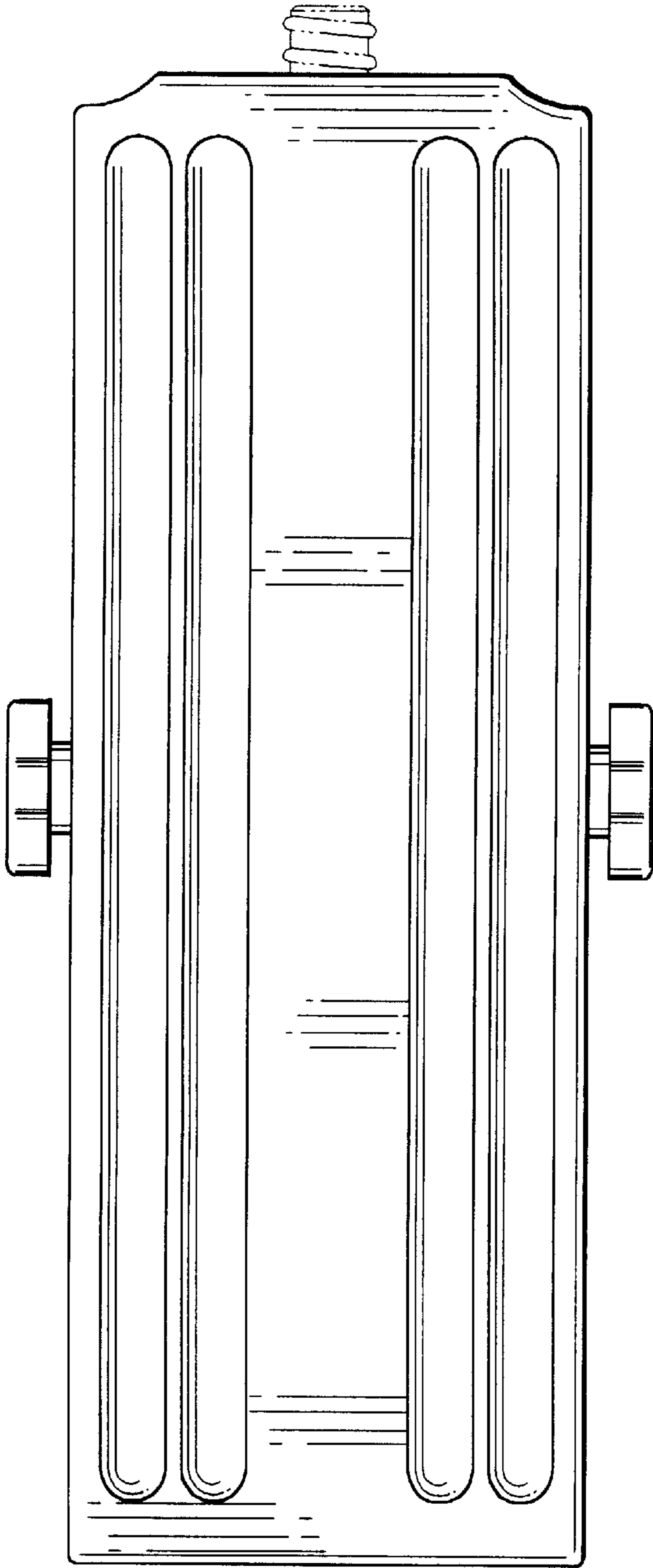


FIG. 1

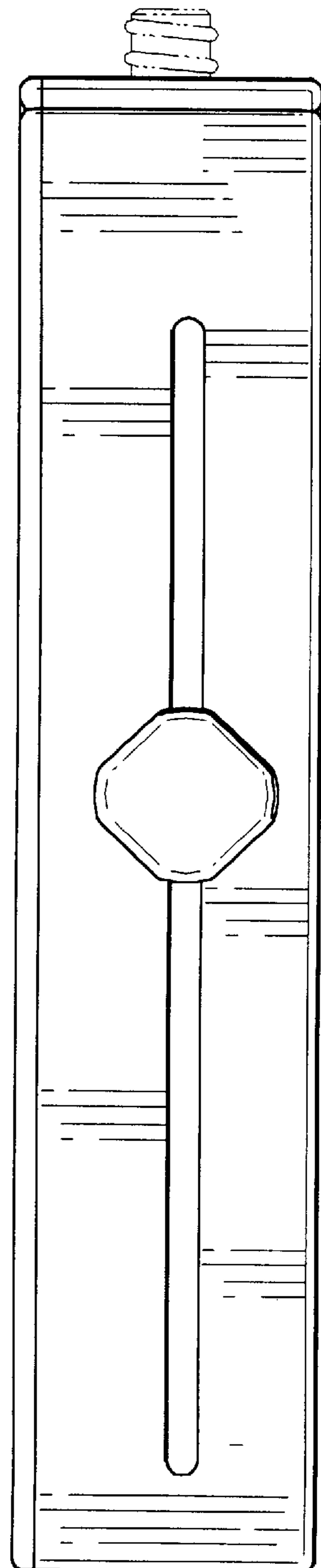


FIG. 2

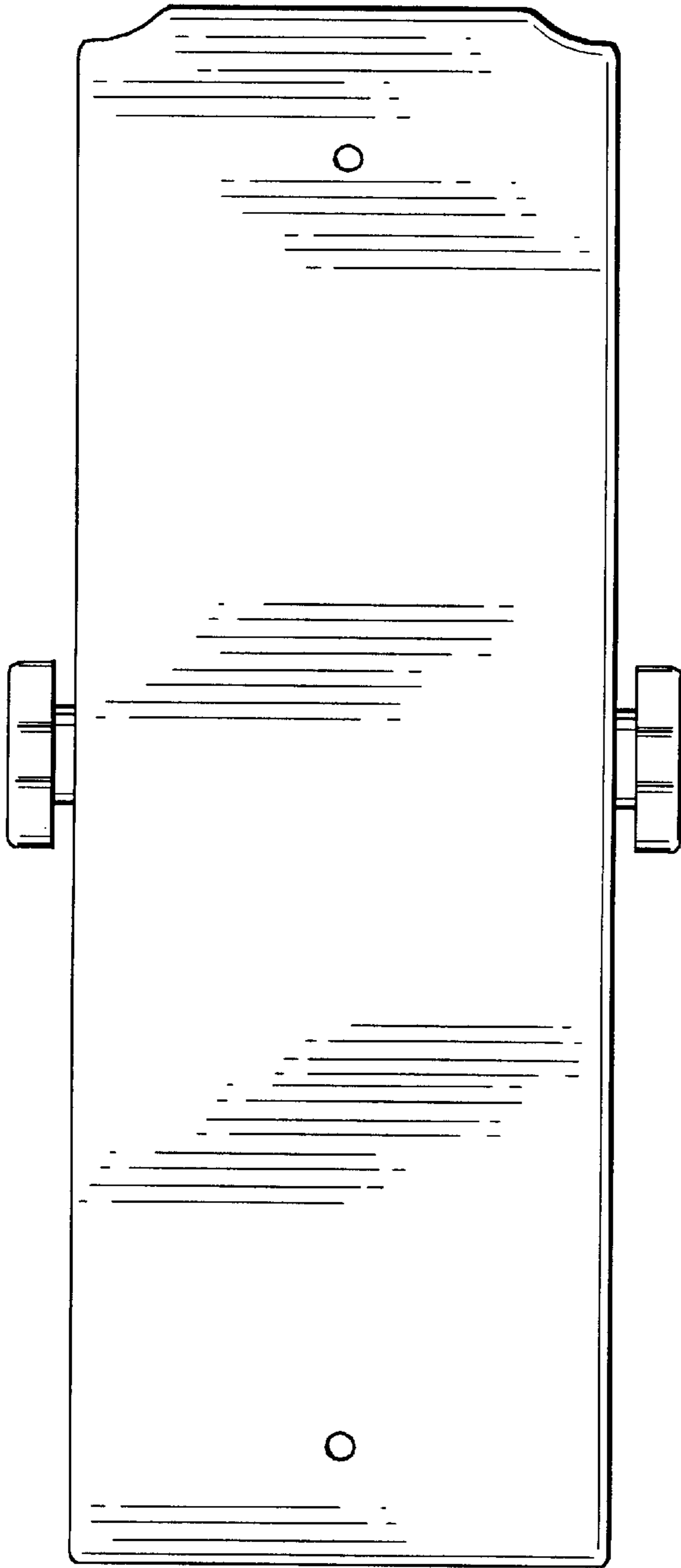


FIG. 3

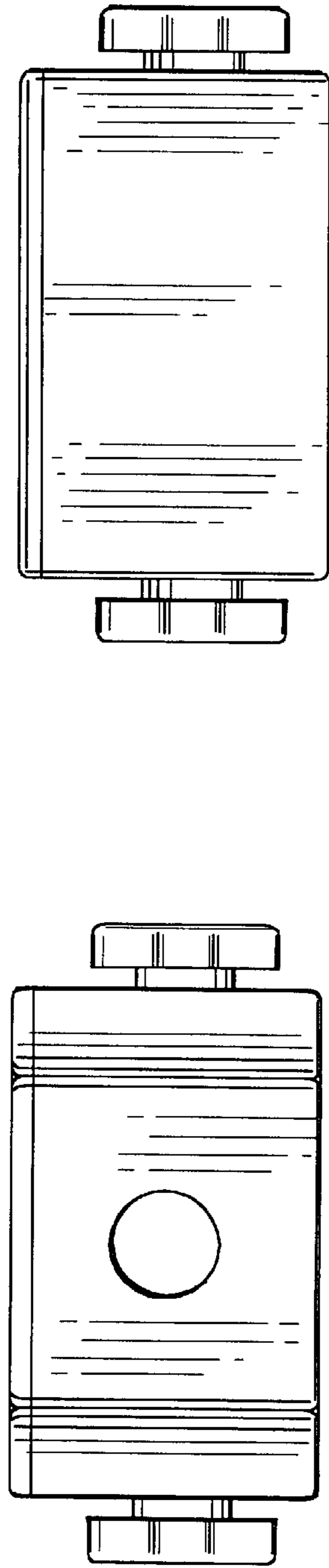


FIG. 4

FIG. 5

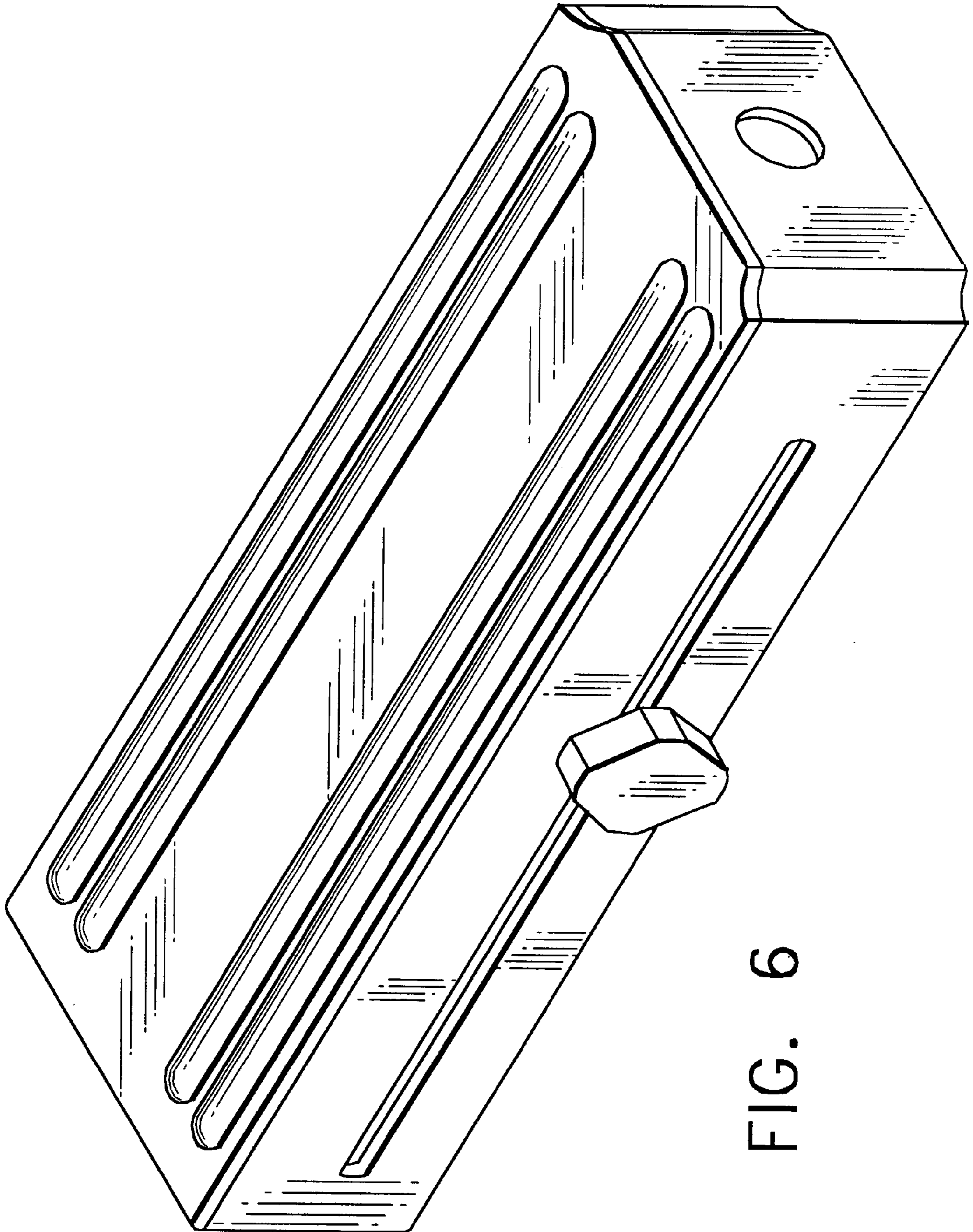


FIG. 6