



US00D420839S

United States Patent [19]
Hsieh

[11] **Patent Number: Des. 420,839**

[45] **Date of Patent: ** Feb. 22, 2000**

[54] **TABLE**

[76] Inventor: **Wendy Hsieh**, P.O. Box 63-247,
Taichung, Taiwan

[**] Term: **14 Years**

[21] Appl. No.: **29/103,460**

[22] Filed: **Apr. 15, 1999**

[51] **LOC (7) Cl.** **06-03**

[52] **U.S. Cl.** **D6/480; D6/488**

[58] **Field of Search** D6/480-489, 495,
D6/499; 108/153.1, 155, 156, 161; 248/188,
188.1, 188.8, 188.7

[56] **References Cited**

U.S. PATENT DOCUMENTS

D. 239,800	5/1976	Robertson	D6/488
D. 337,010	7/1993	Bennett	D6/488
D. 406,966	3/1999	Hsieh	D6/480

OTHER PUBLICATIONS

Thomasville Four Corners 1988, p. 36, #A table at top.
Molla #53, c1952, p. 17, umbrella table at top.

Primary Examiner—Janice E. Seeger
Attorney, Agent, or Firm—Alan Kamrath; Oppenheimer,
Wolffe & Donnelly, LLP

[57] **CLAIM**

The ornamental design for table, as shown and described.

DESCRIPTION

FIG. 1 is a perspective view of a table showing my new design;

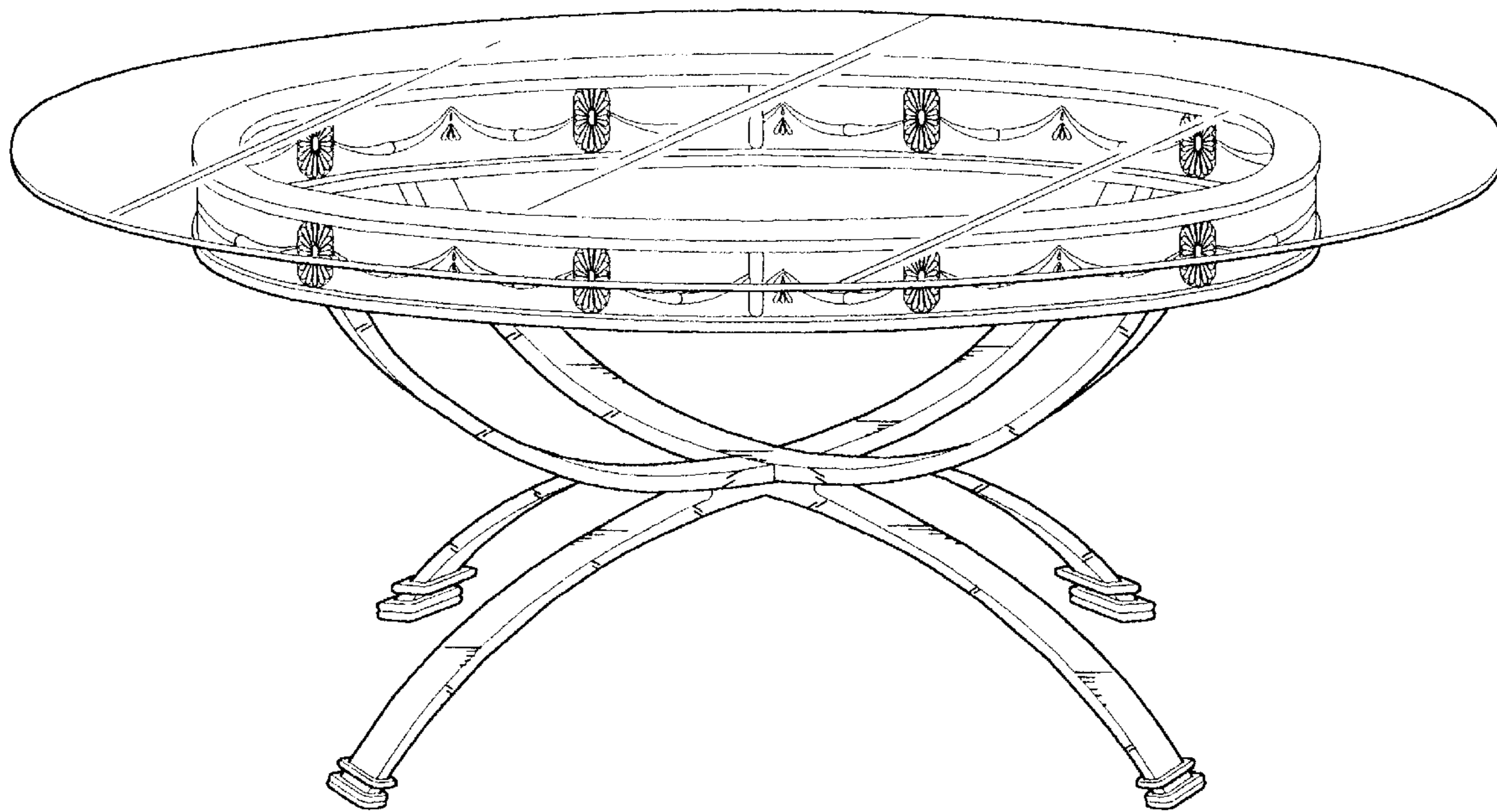
FIG. 2 is a front elevational view thereof; the opposite side being a mirror image of the shown;

FIG. 3 is a left elevational view thereof; the opposite side being a mirror image of the shown.

FIG. 4 is a top plan view thereof; and,

FIG. 5 is bottom plan view thereof.

1 Claim, 5 Drawing Sheets



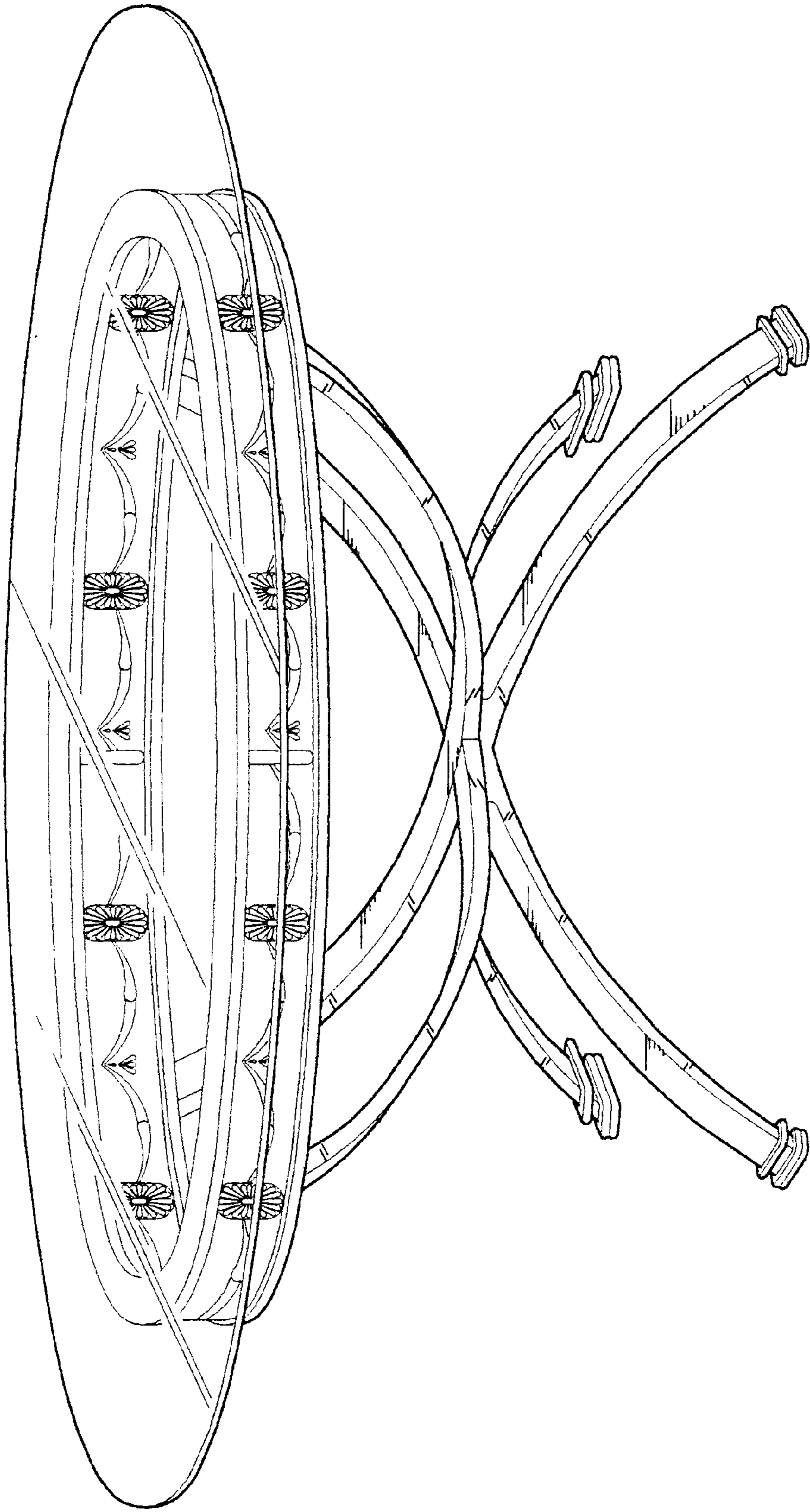


Fig. 1

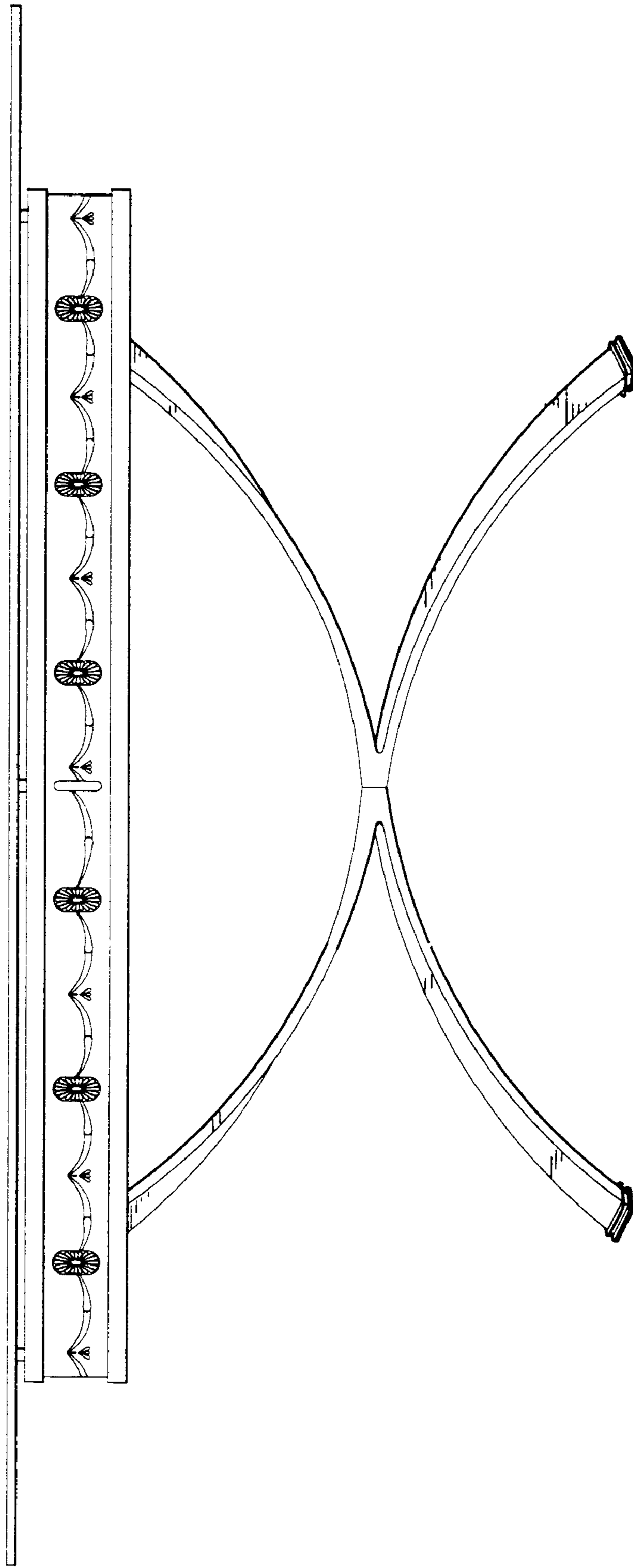


Fig. 2

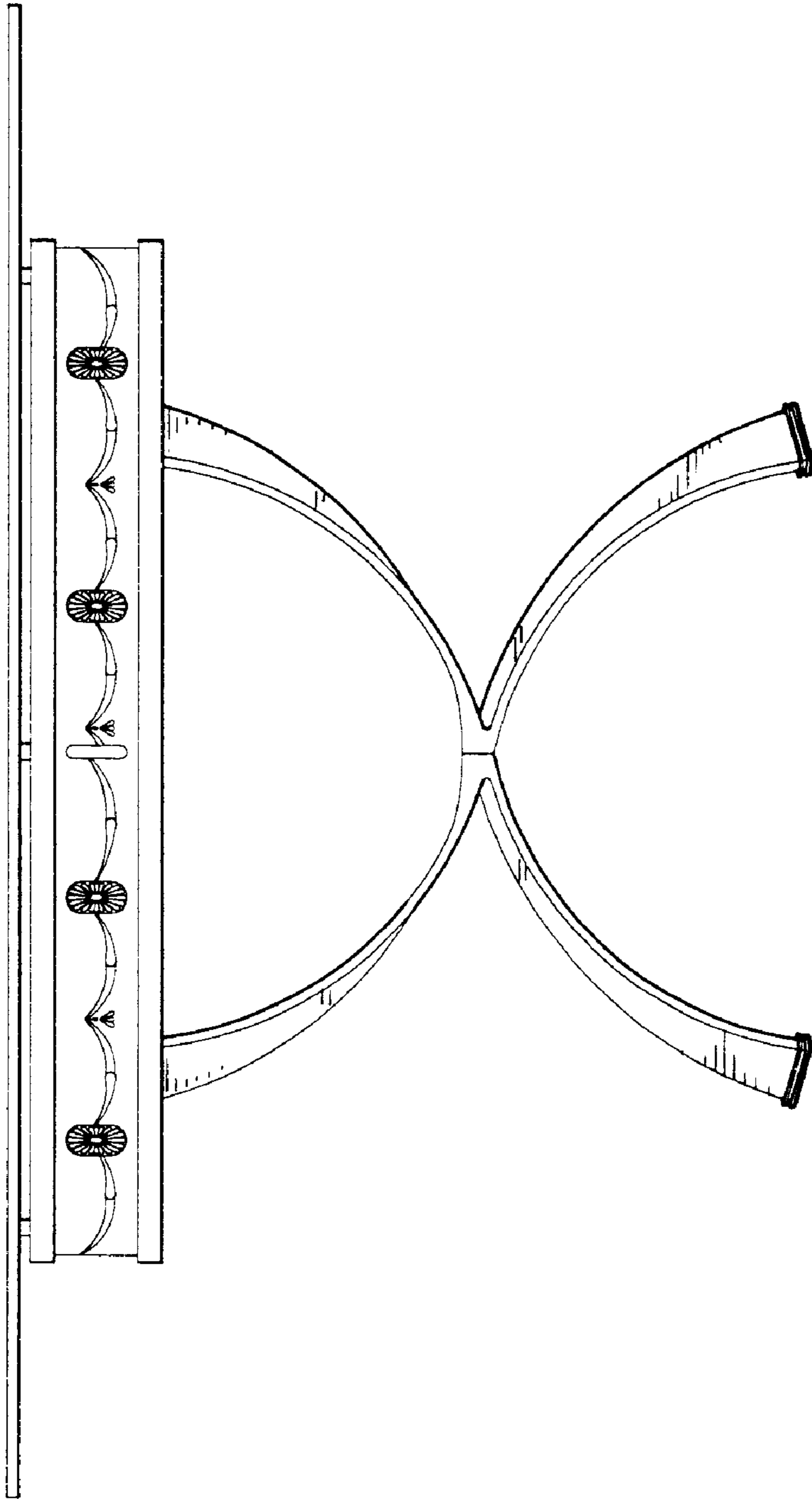


Fig. 3

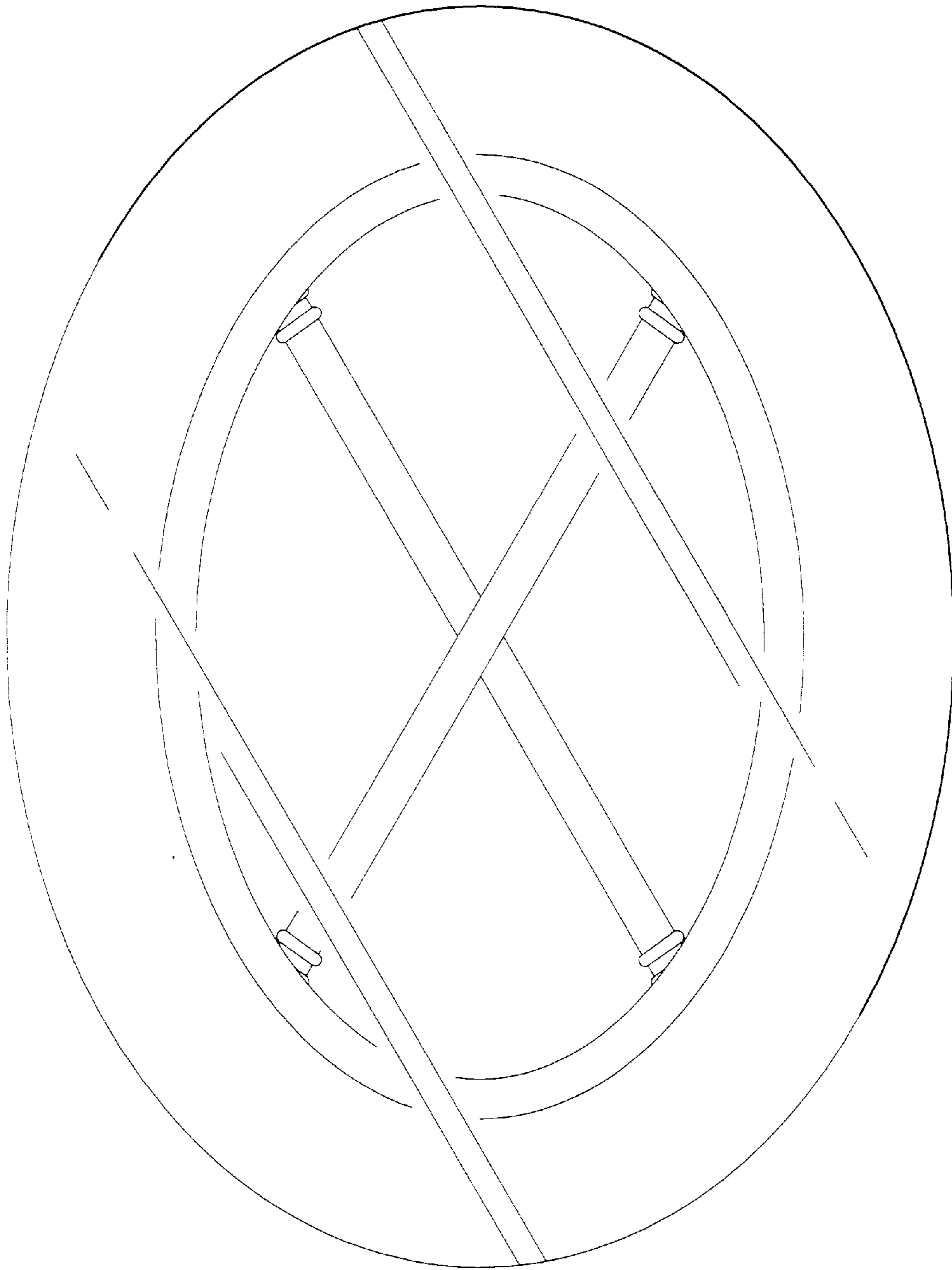


Fig. 4

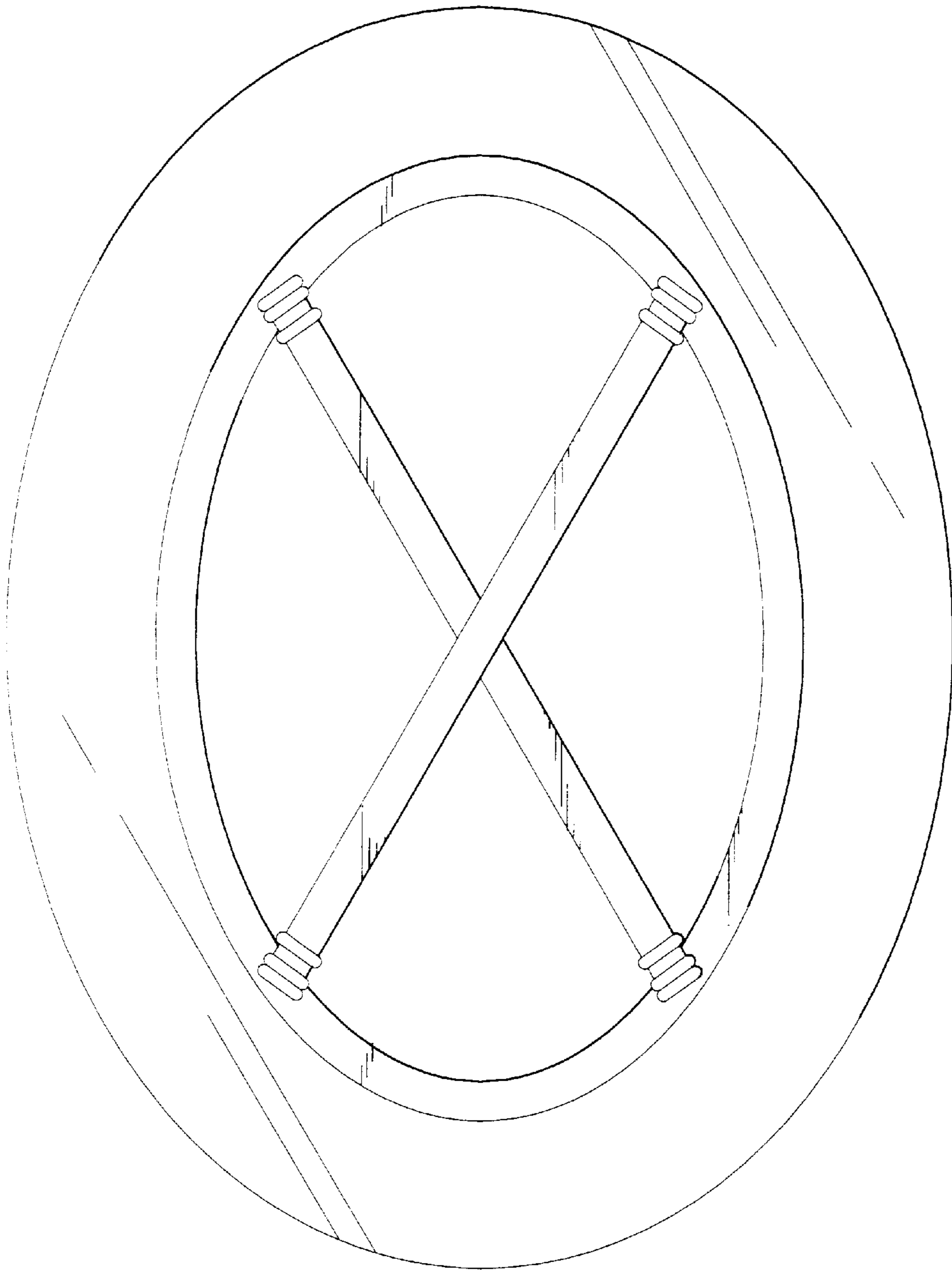


Fig. 5