



US00D420835S

United States Patent [19]
Pezzullo

[11] **Patent Number: Des. 420,835**

[45] **Date of Patent: ** Feb. 22, 2000**

[54] **JEWELRY CIRCULAR DISPLAY STAND WITH UPSTANDING TOWER**

D. 288,154 2/1987 Hobgood D6/466
D. 361,678 8/1995 Tavone et al. D6/457
D. 403,532 1/1999 Moser D6/457
3,209,903 10/1965 Shiffman 206/566 X

[75] Inventor: **Ronald A. Pezzullo**, Cranston, R.I.

[73] Assignee: **K&M Associates**, Providence, R.I.

[**] Term: **14 Years**

Primary Examiner—Doris V. Coles
Assistant Examiner—Linda Brooks
Attorney, Agent, or Firm—Salter & Michaelson

[21] Appl. No.: **29/097,779**

[57] **CLAIM**

[22] Filed: **Dec. 14, 1998**

The ornamental design for a jewelry circular display stand with upstanding tower, as shown and described.

[51] **LOC (7) Cl.** **06-04**

DESCRIPTION

[52] **U.S. Cl.** **D6/460**

[58] **Field of Search** D6/455-460, 474;
D20/19; 206/6.1, 566; 211/85.2, 85.26

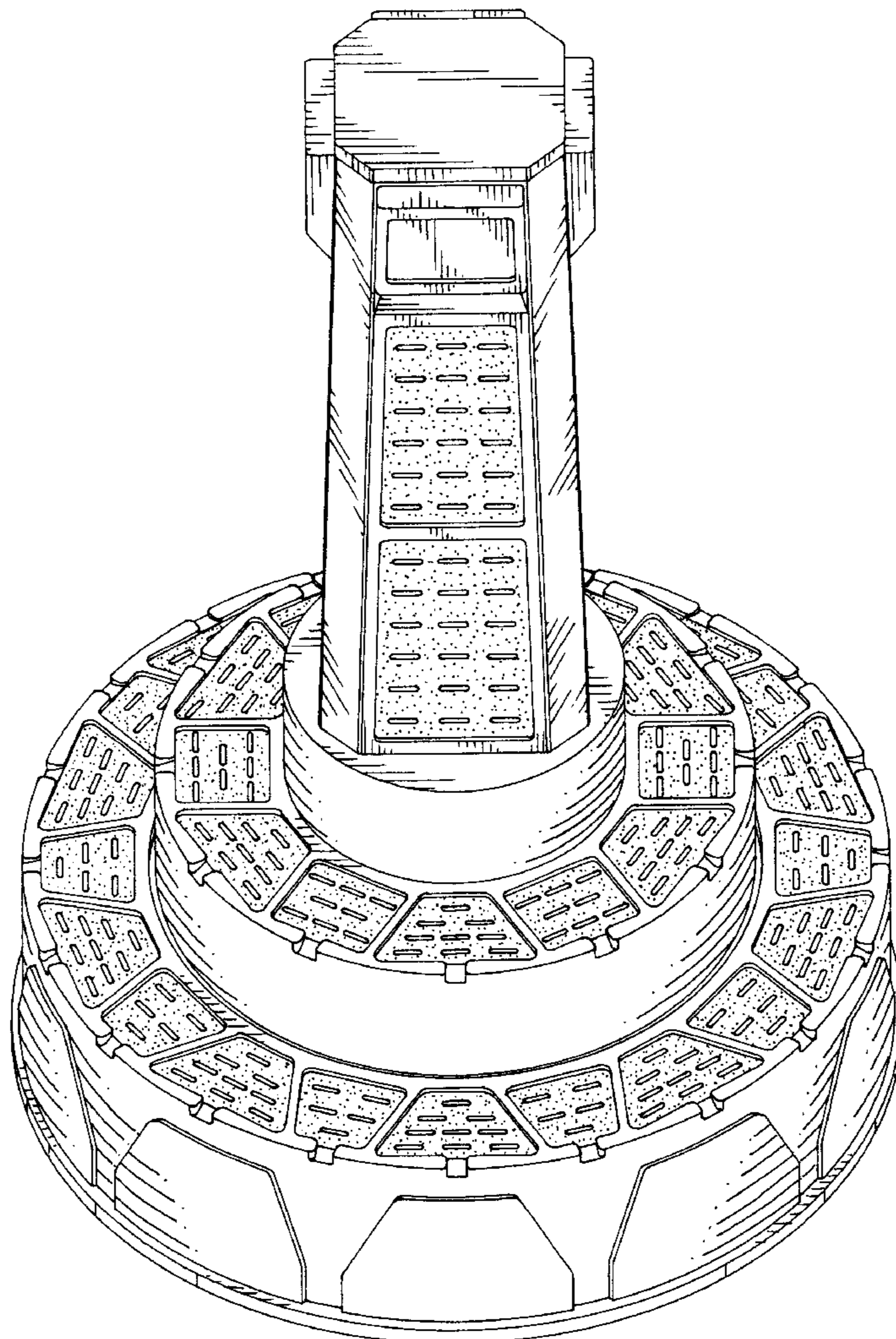
FIG. 1 is a perspective view of a jewelry circular display stand with upstanding tower showing my new design; FIG. 2 is a top plan view thereof; FIG. 3 is a bottom plan view thereof; and, FIG. 4 is a side elevational view thereof, it being understood that the display stand with upstanding tower has the same appearance from all sides.

[56] **References Cited**

U.S. PATENT DOCUMENTS

D. 194,466 1/1963 Johnson D6/455
D. 205,387 7/1966 Fisher D6/460
D. 243,658 3/1977 Schneider D6/455

1 Claim, 4 Drawing Sheets



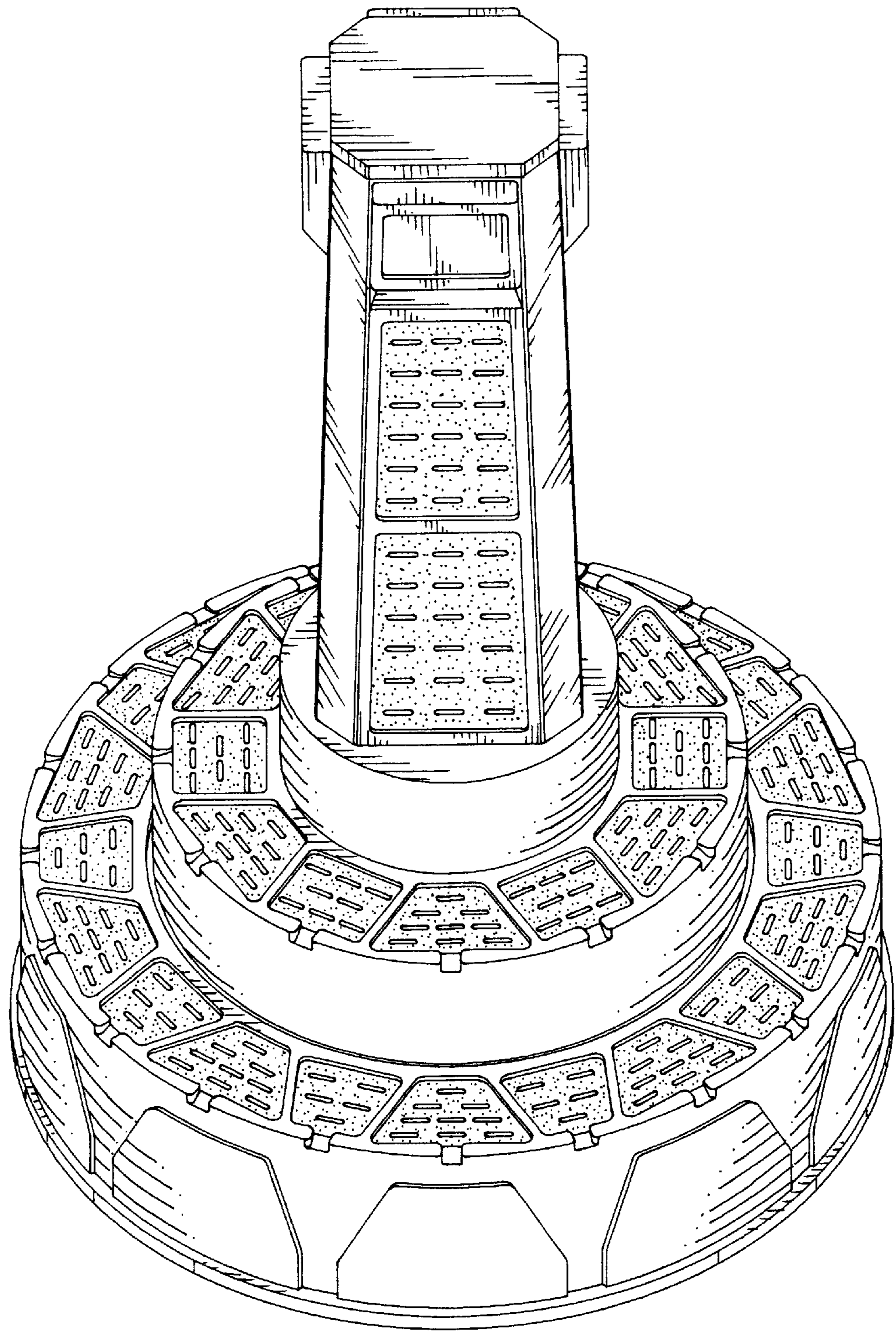


FIG. 1

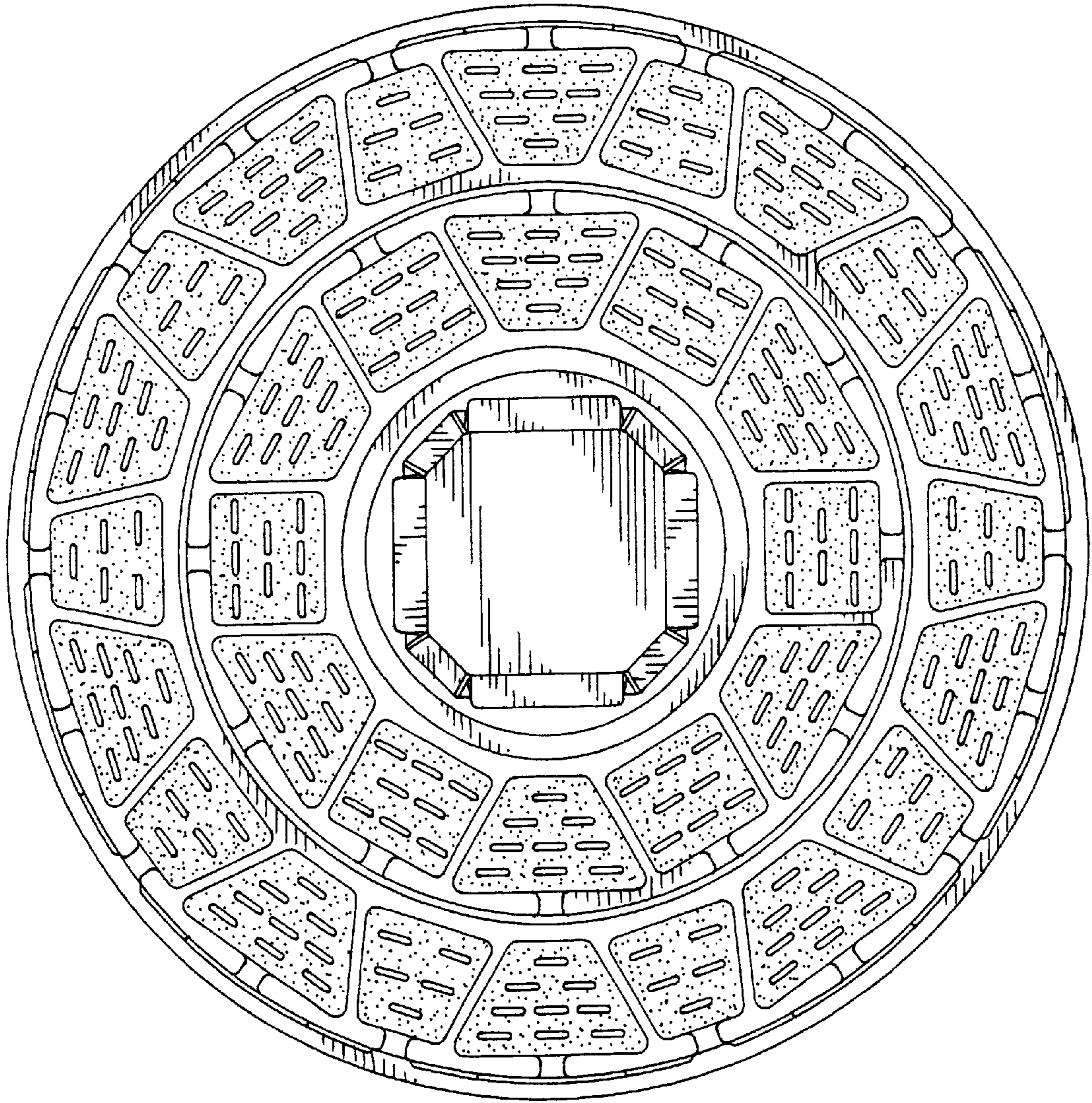


FIG. 2

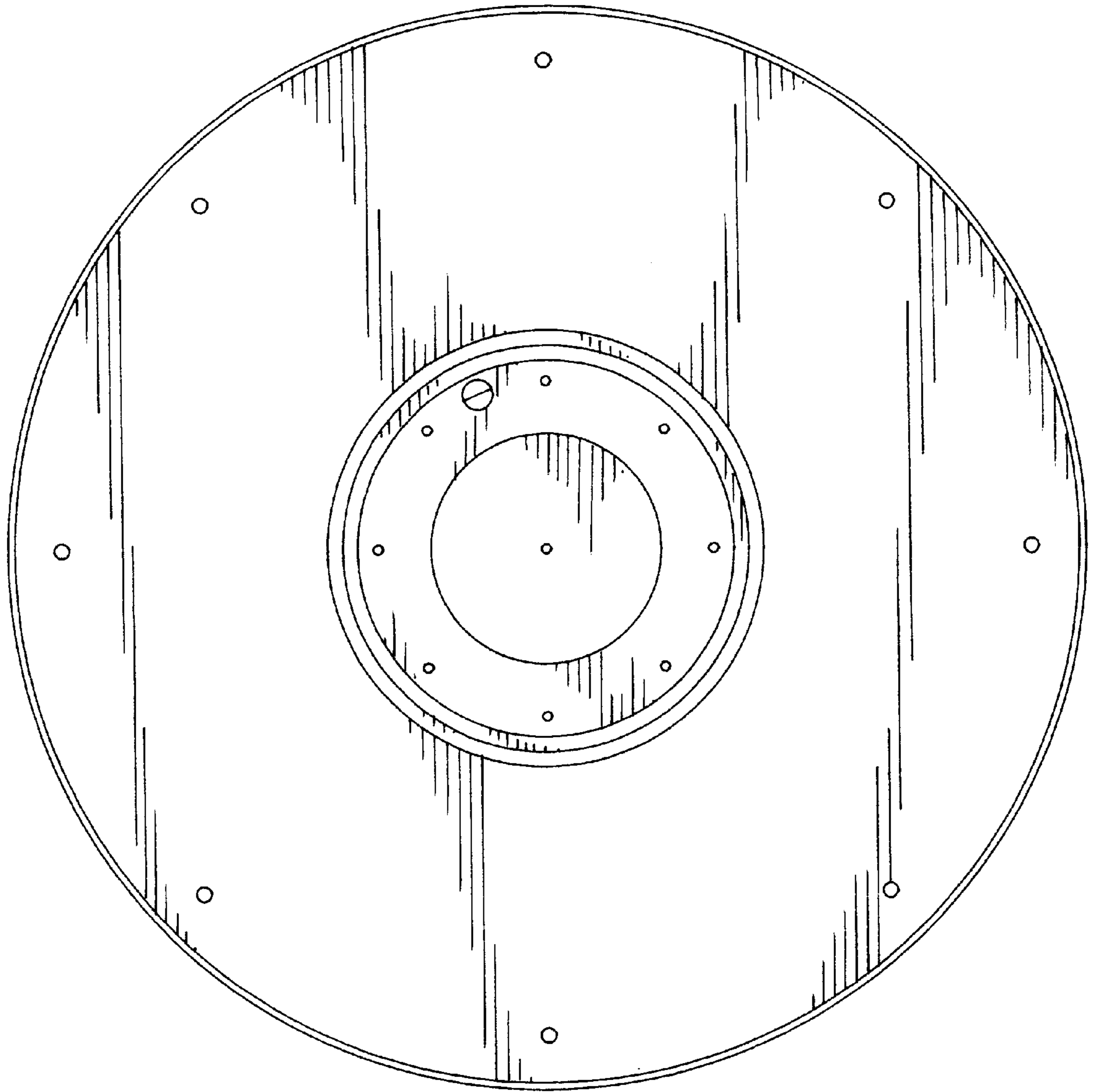


FIG. 3

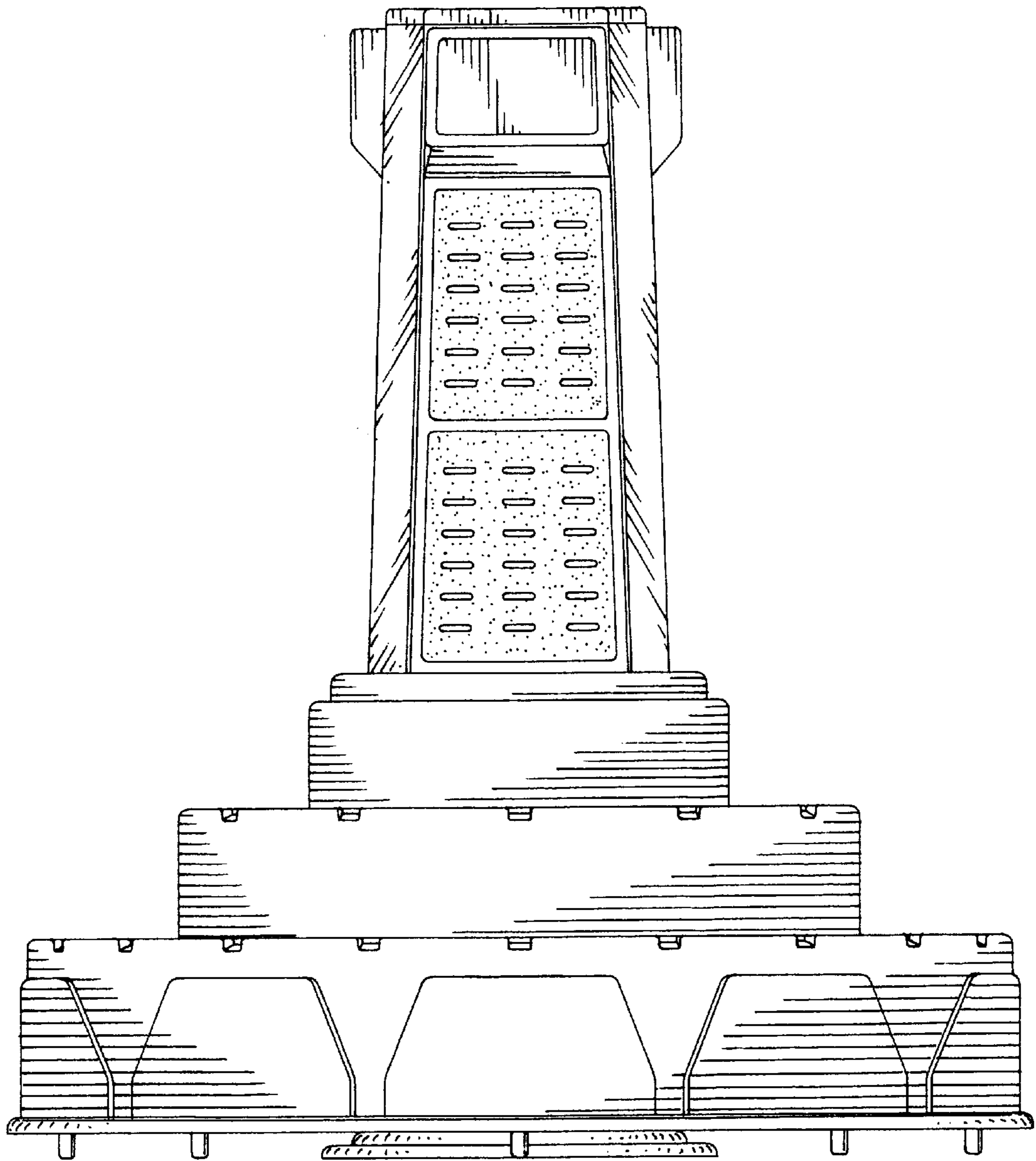


FIG. 4