



US00D420834S

United States Patent [19] Anderson

[11] Patent Number: Des. 420,834

[45] Date of Patent: ** Feb. 22, 2000

[54] DISPLAY STAND

[76] Inventor: Mark D. Anderson, 8593 Coachmans La., Eden Prairie, Minn. 55347

[**] Term: 14 Years

[21] Appl. No.: 29/101,179

[22] Filed: Feb. 26, 1999

[51] LOC (7) Cl. 06-04

[52] U.S. Cl. D6/449

[58] Field of Search D6/509-511, 466-468, D6/491, 495; D34/38; D8/354; 211/85, 26, 74; 108/51.11, 53.1, 53.3, 53.5, 54.1, 55.1, 55.3, 55.5, 56.1, 56.3, 57.16, 57.17, 57.22, 57.23; 248/346.01-346.05

[56] **References Cited**

U.S. PATENT DOCUMENTS

D. 232,340	8/1974	Lax	D7/708
D. 401,424	11/1998	Ogo et al.	D6/495 X
3,474,744	10/1969	Montgomery	108/57.17
3,853,072	12/1974	Skubic et al.	108/53.5
3,855,944	12/1974	Skubic et al.	108/53.5
4,875,419	10/1989	Helton et al.	108/56.1

5,042,397	8/1991	Fiedler	108/901 X
5,158,403	10/1992	Moors	108/56.3
5,605,102	2/1997	Simpson	108/51.1
5,673,629	10/1997	Ginnow	108/51.1
5,676,063	10/1997	Wallace	108/51.1
5,687,652	11/1997	Ruma	108/901 X

Primary Examiner—Doris V. Coles
Assistant Examiner—Linda Brooks
Attorney, Agent, or Firm—Westman, Champlin & Kelly, P.A.

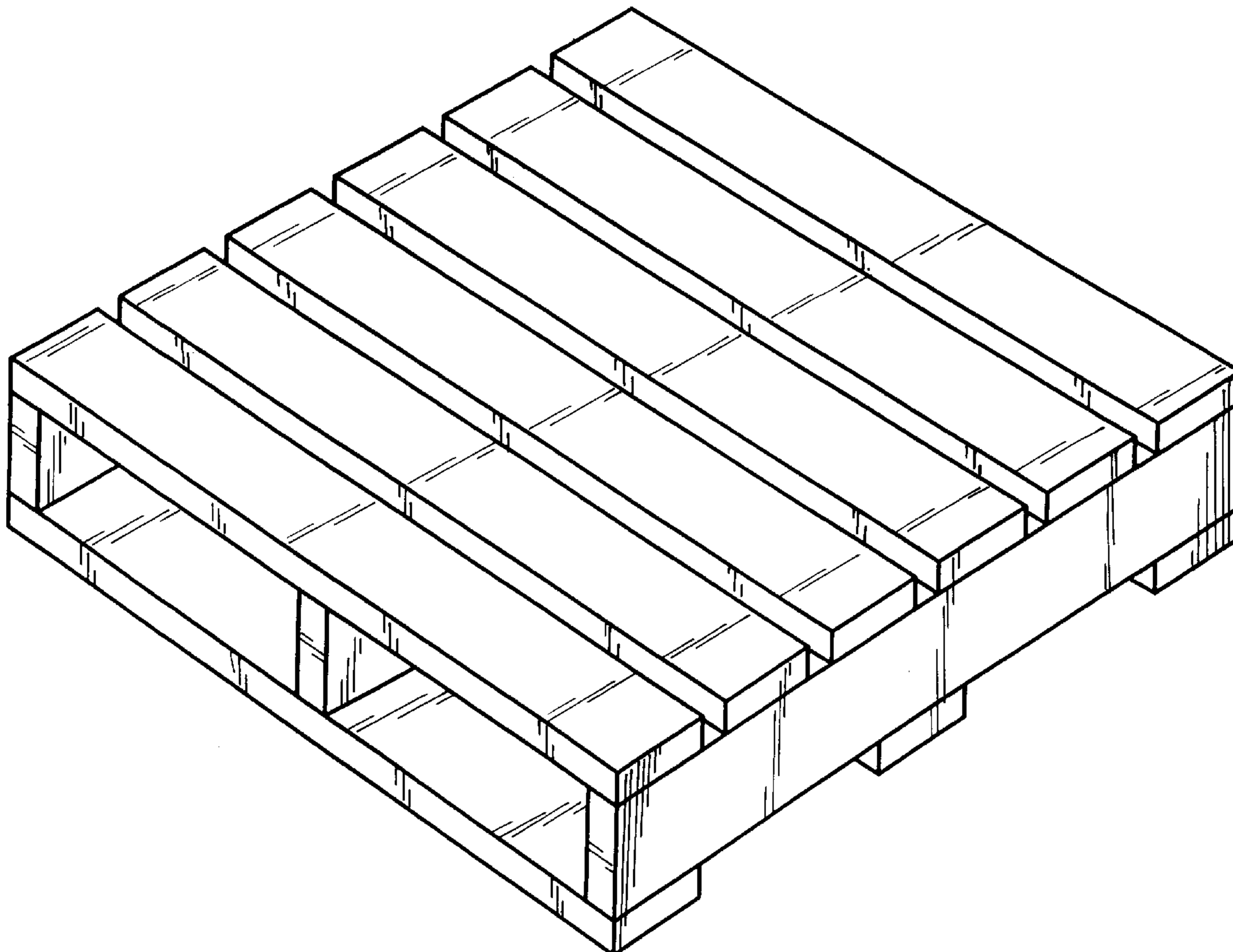
[57] **CLAIM**

The ornamental design for a display stand, as shown and described.

DESCRIPTION

FIG. 1 is a perspective view of a display stand, showing my new design;
FIG. 2 is a left side elevational view thereof;
FIG. 3 is a right side elevational view thereof;
FIG. 4 is a rear elevational view thereof;
FIG. 5 is a top plan view thereof;
FIG. 6 is a front elevational view thereof; and,
FIG. 7 is a bottom plan view of the first embodiment.

1 Claim, 4 Drawing Sheets



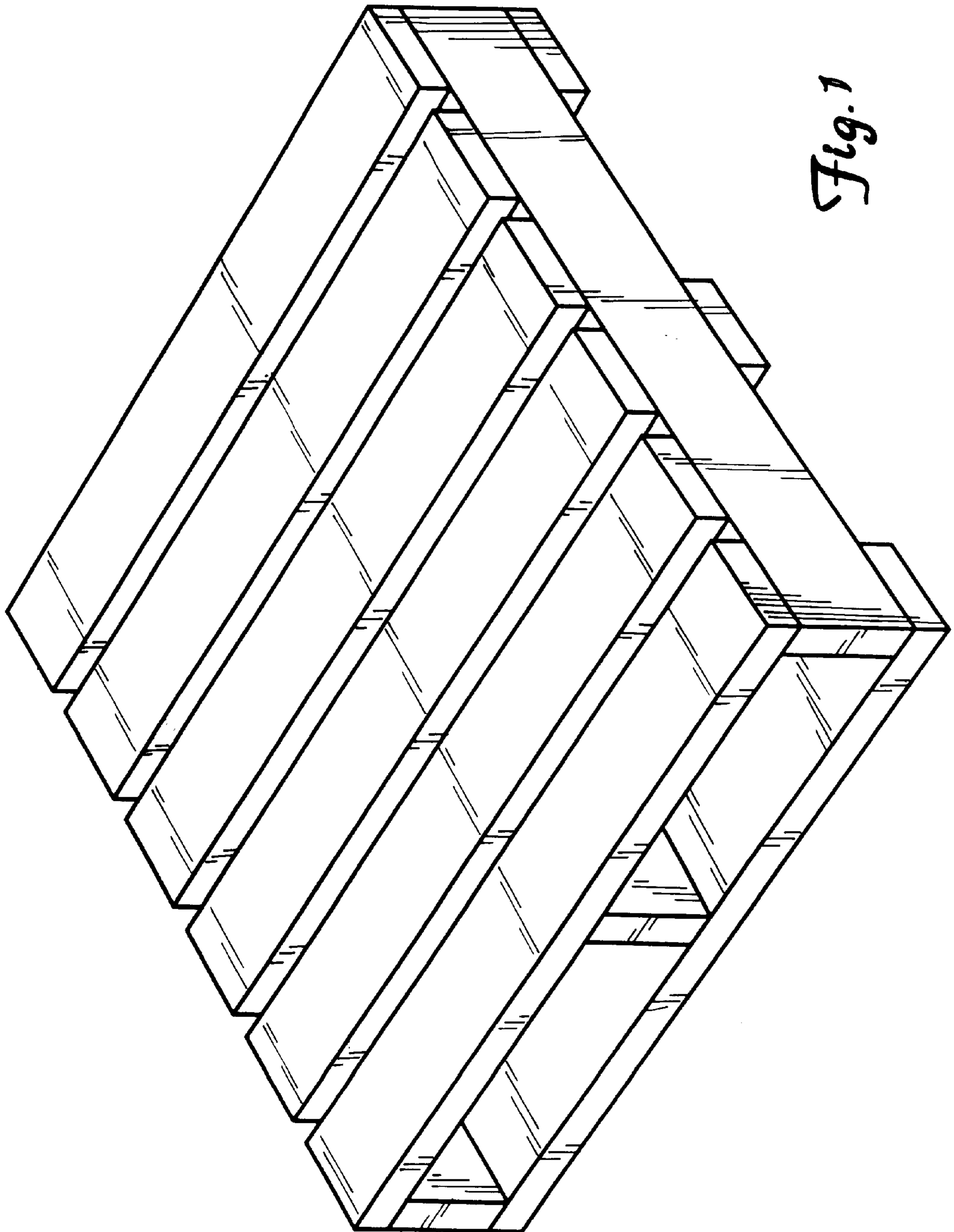


Fig. 1

Fig. 2

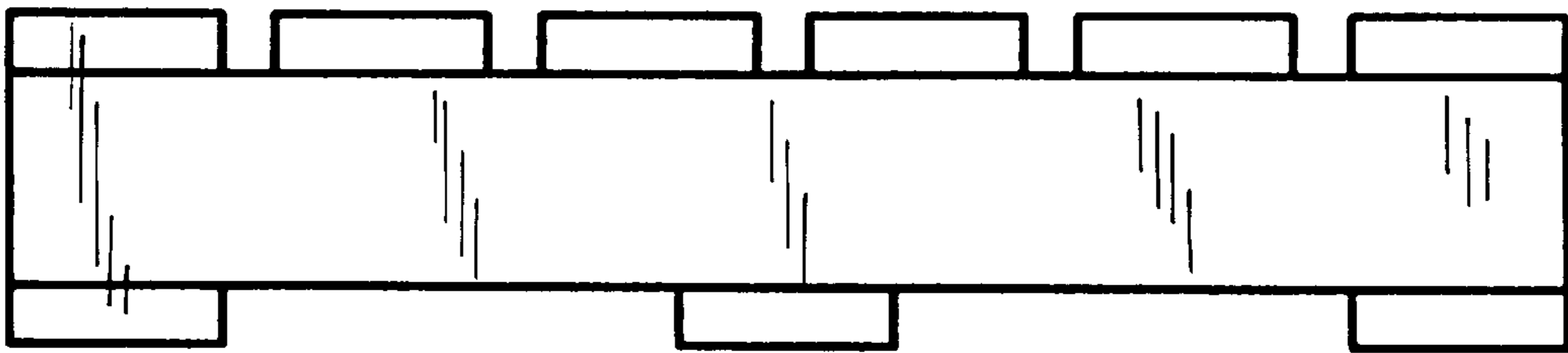


Fig. 3

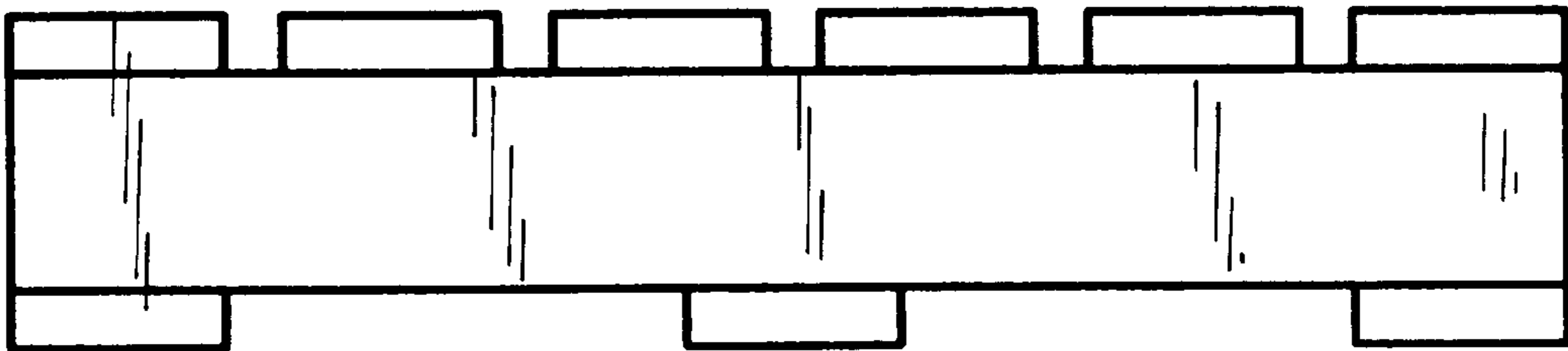


Fig. 4

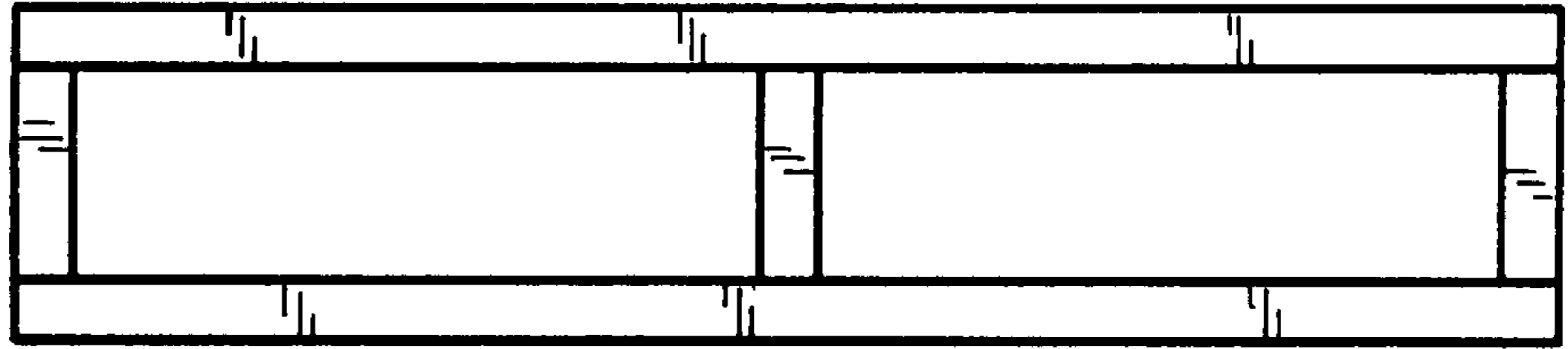


Fig. 5

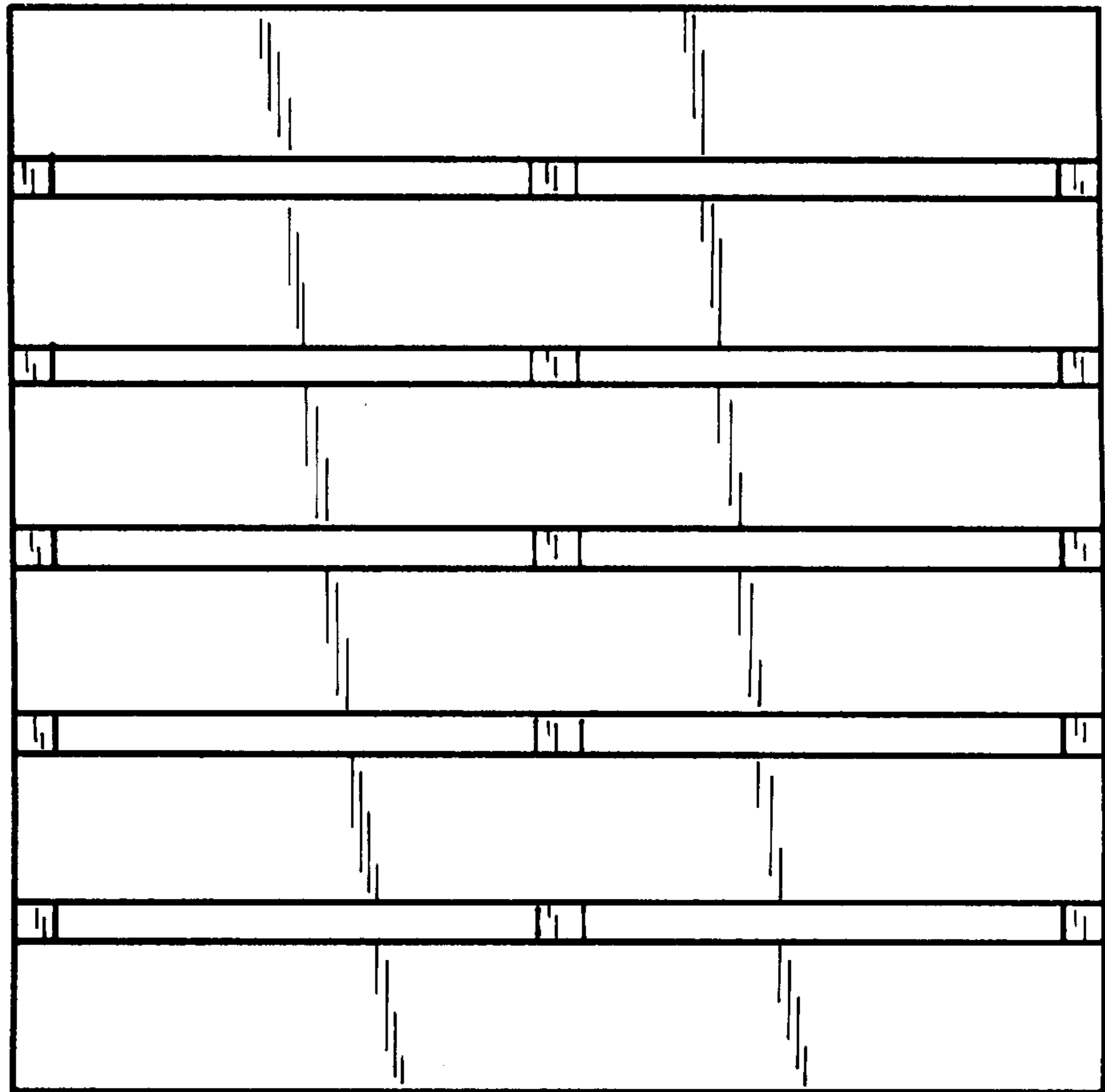
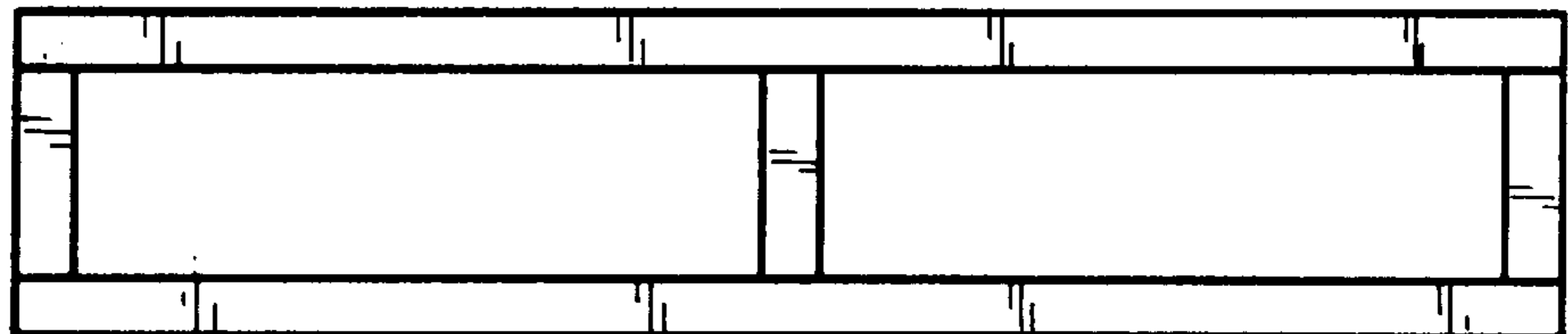


Fig. 6



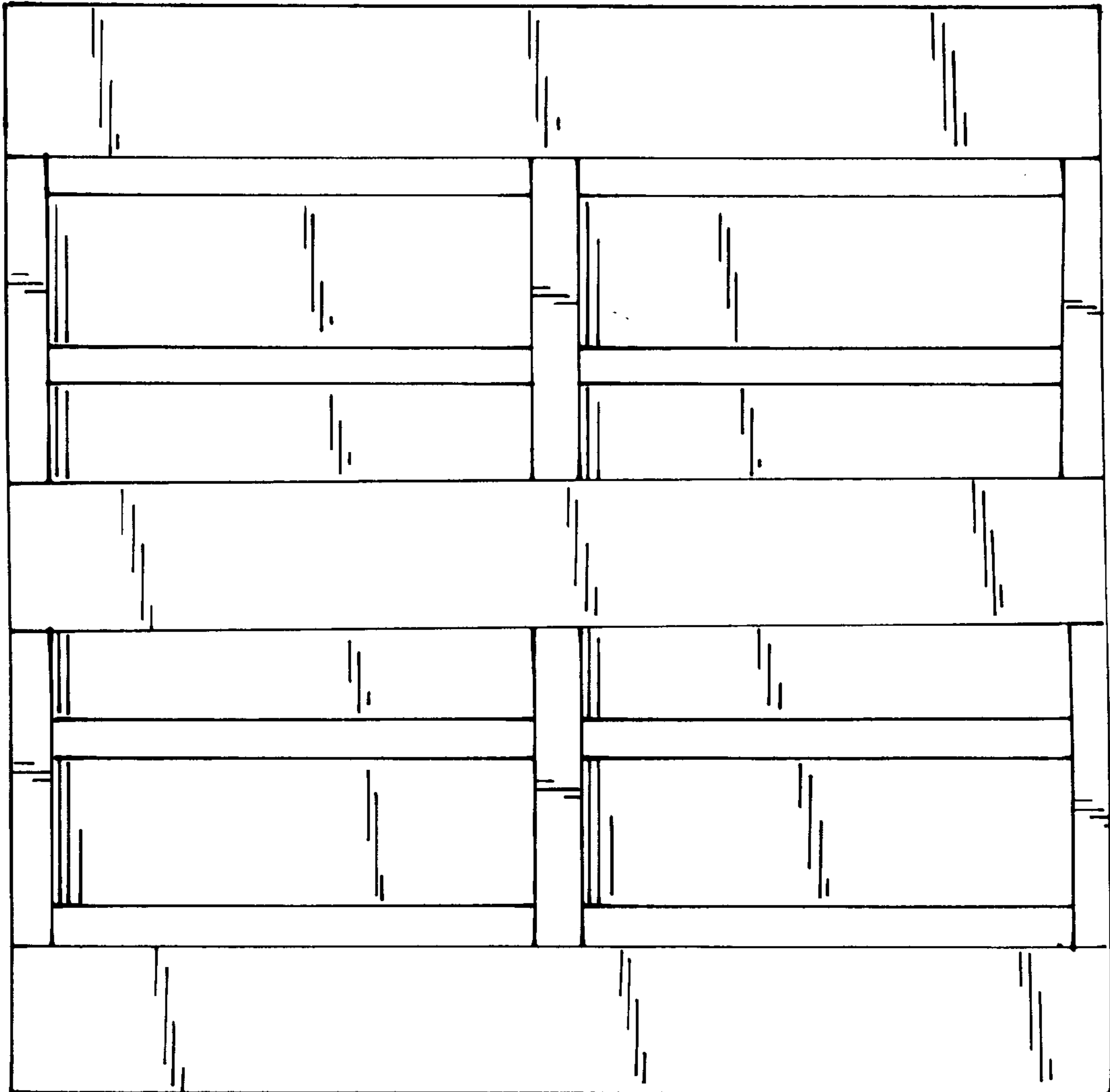


Fig. 7