



US00D420830S

United States Patent [19] Tseng

[11] **Patent Number: Des. 420,830**

[45] **Date of Patent: ** Feb. 22, 2000**

[54] **LAWN CHAIR**

[75] Inventor: **Chuen-Jong Tseng**, Chiayi Hsien, Taiwan

[73] Assignee: **Shin Yen Enterprise Co., Ltd.**, Chiayi Hsien, Taiwan

[**] Term: **14 Years**

[21] Appl. No.: **29/105,802**

[22] Filed: **Jun. 2, 1999**

[51] **LOC (7) Cl.** **06-01**

[52] **U.S. Cl.** **D6/381; D6/369; D6/380**

[58] **Field of Search** D6/334, 335, 358, D6/369, 370, 374, 376, 379, 380, 381, 500, 501, 502; 297/232, 411.42, 445.1, 446.1, 452.63, 452.64

[56] **References Cited**

U.S. PATENT DOCUMENTS

D. 105,172 6/1937 Hauser D6/376

D. 177,914	6/1956	Jones	D6/358
D. 223,569	5/1972	Grosfillex	D6/376
D. 280,683	9/1985	Parker	D6/370
D. 401,429	11/1998	Tseng	D6/380
D. 406,701	3/1999	Slear	D6/376

Primary Examiner—Gary D. Watson
Attorney, Agent, or Firm—Ladas & Parry

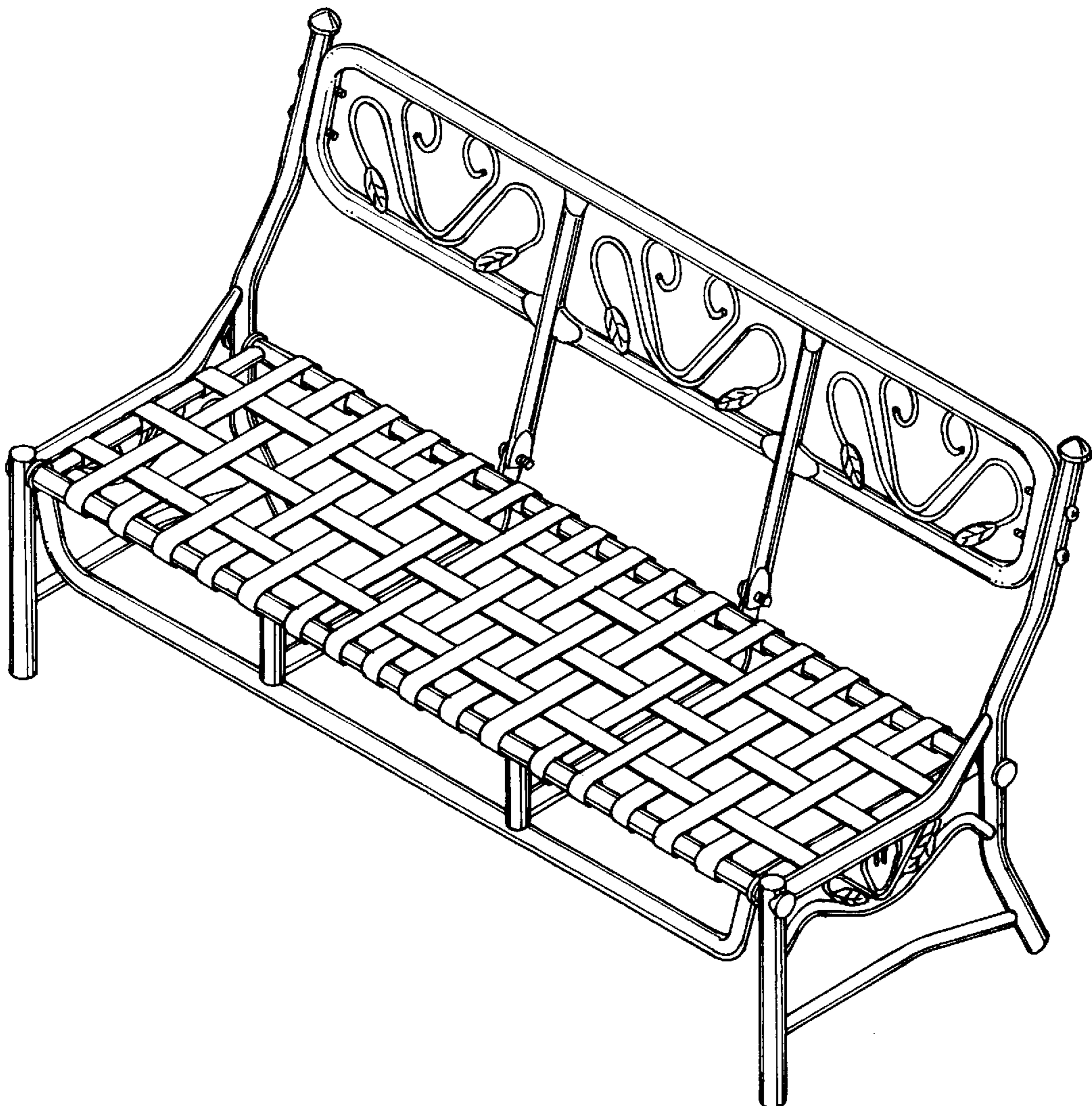
[57] CLAIM

The ornamental design for a lawn chair, as shown and described.

DESCRIPTION

FIG. 1 is a perspective view of a lawn chair showing my new design;
FIG. 2 is a front elevational view thereof;
FIG. 3 is a rear elevational view thereof;
FIG. 4 is a left side elevational view thereof;
FIG. 5 is a right elevational view thereof;
FIG. 6 is a top plan view thereof; and,
FIG. 7 is a bottom plan view thereof.

1 Claim, 7 Drawing Sheets



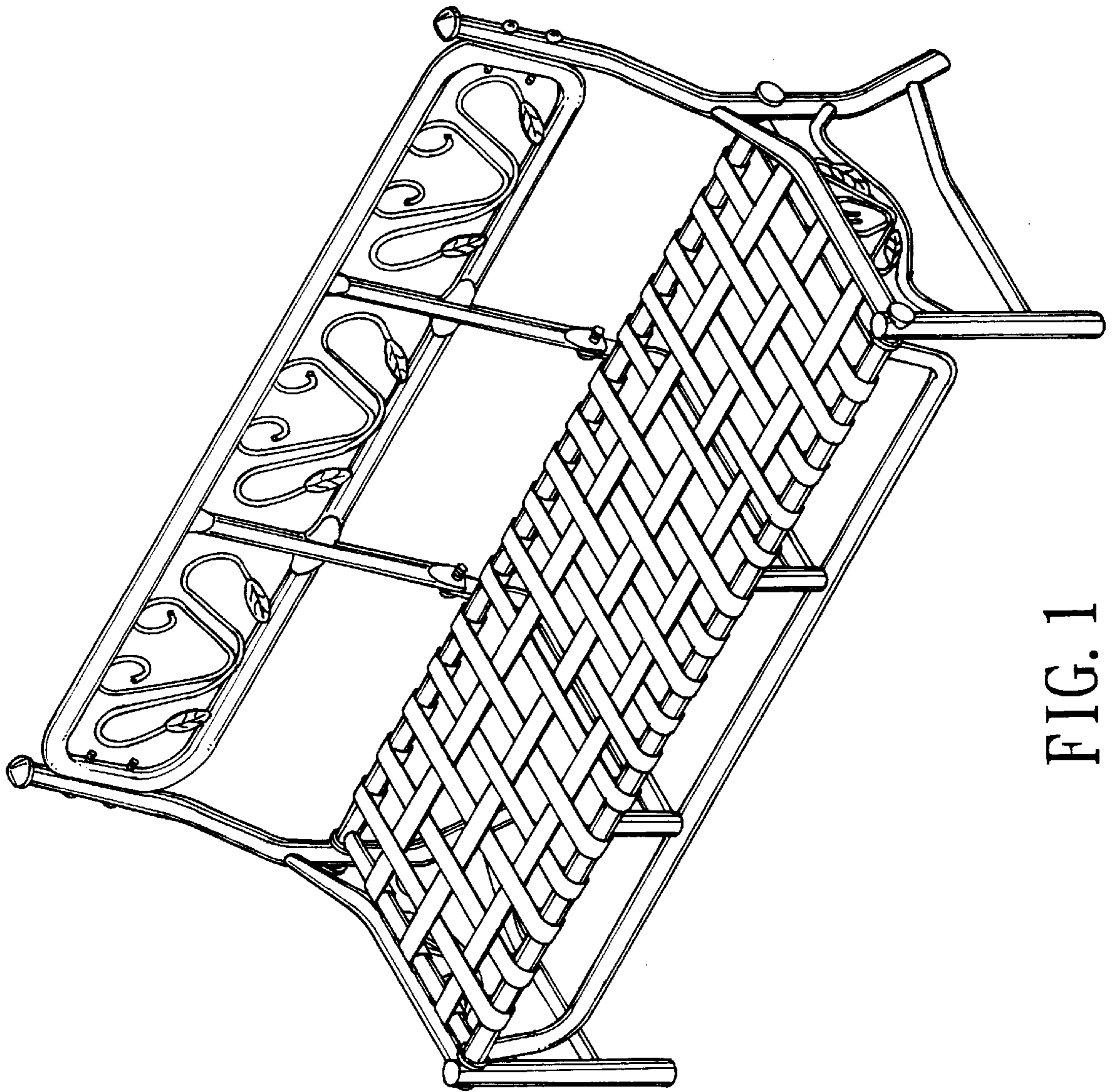


FIG. 1

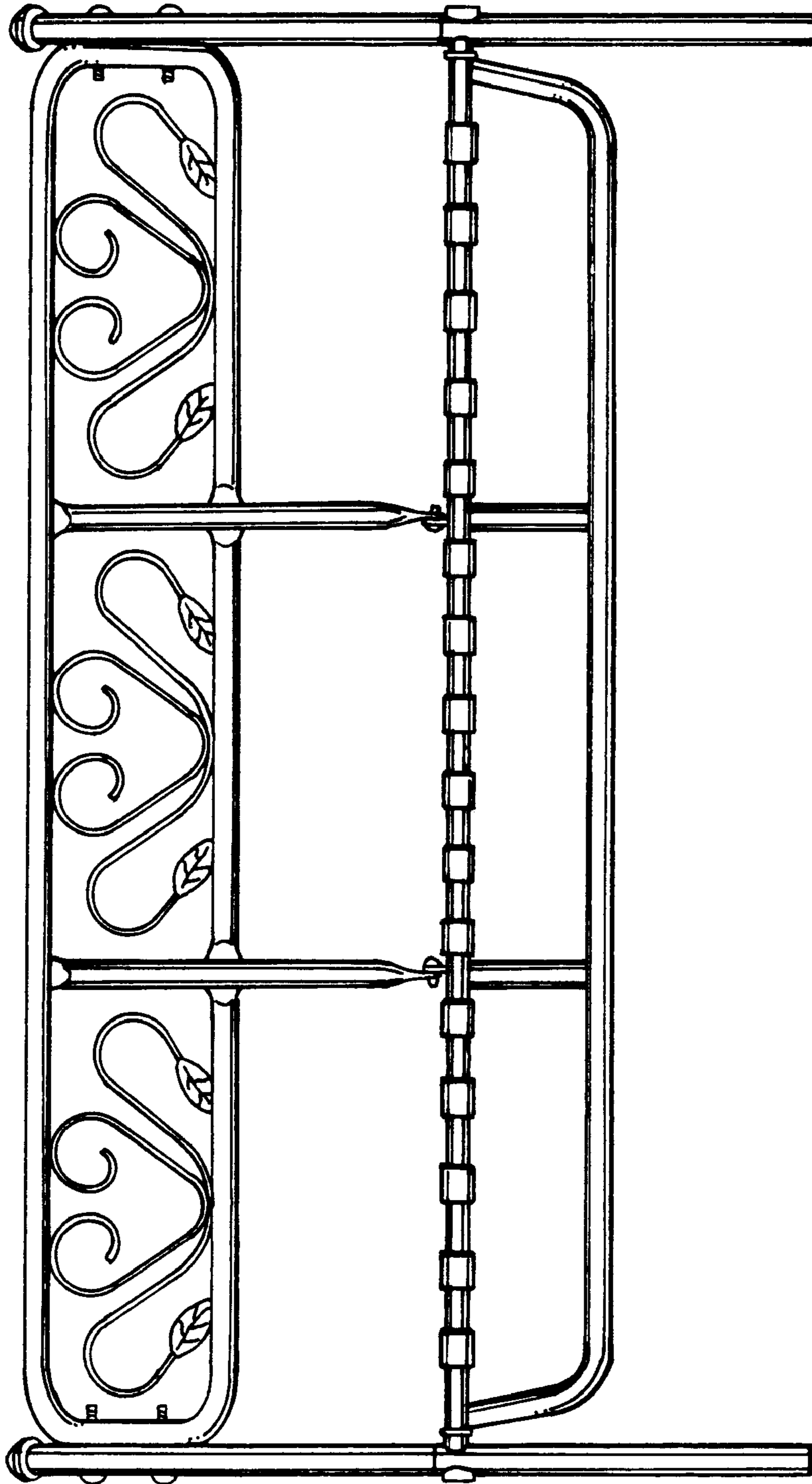


FIG. 2

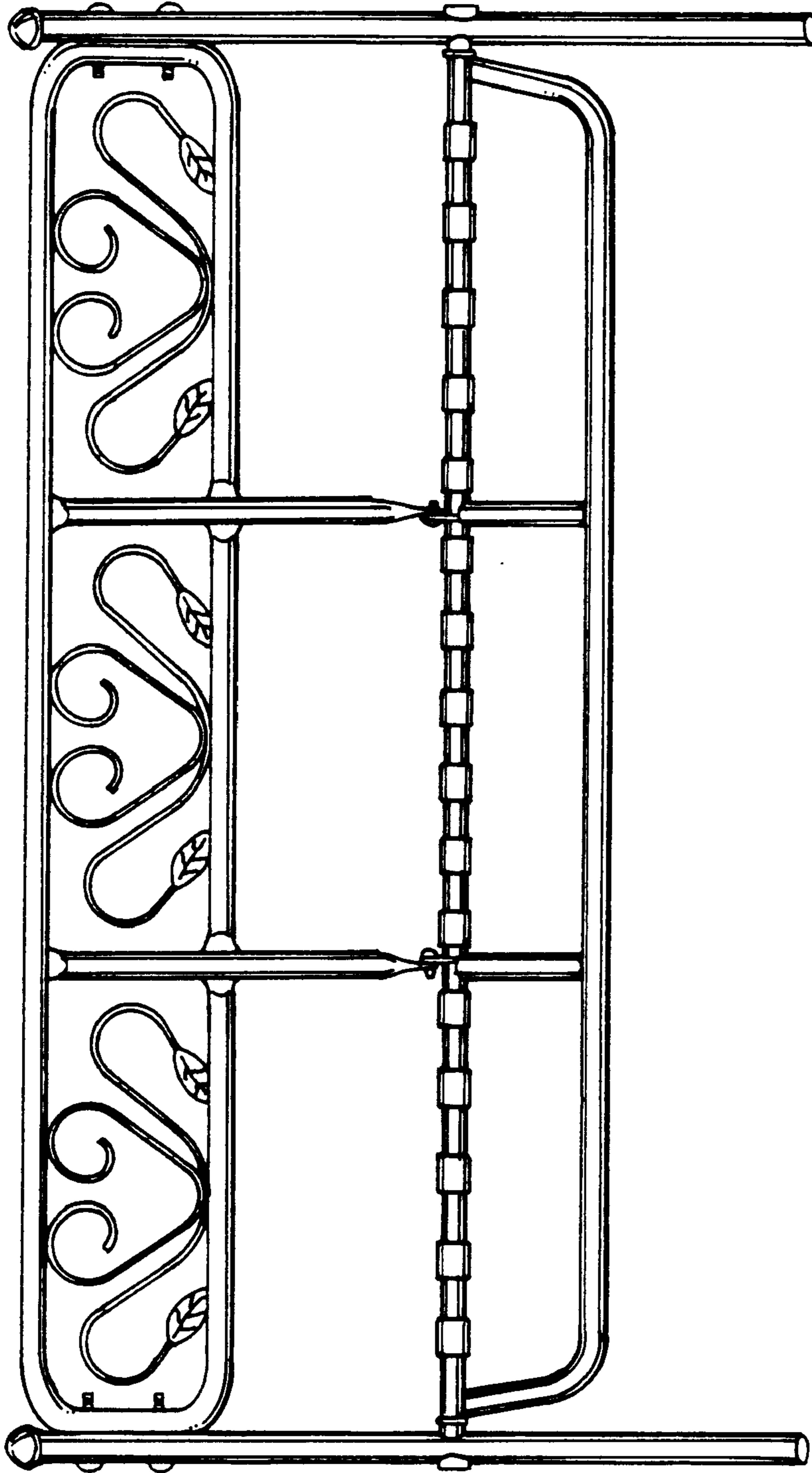


FIG. 3

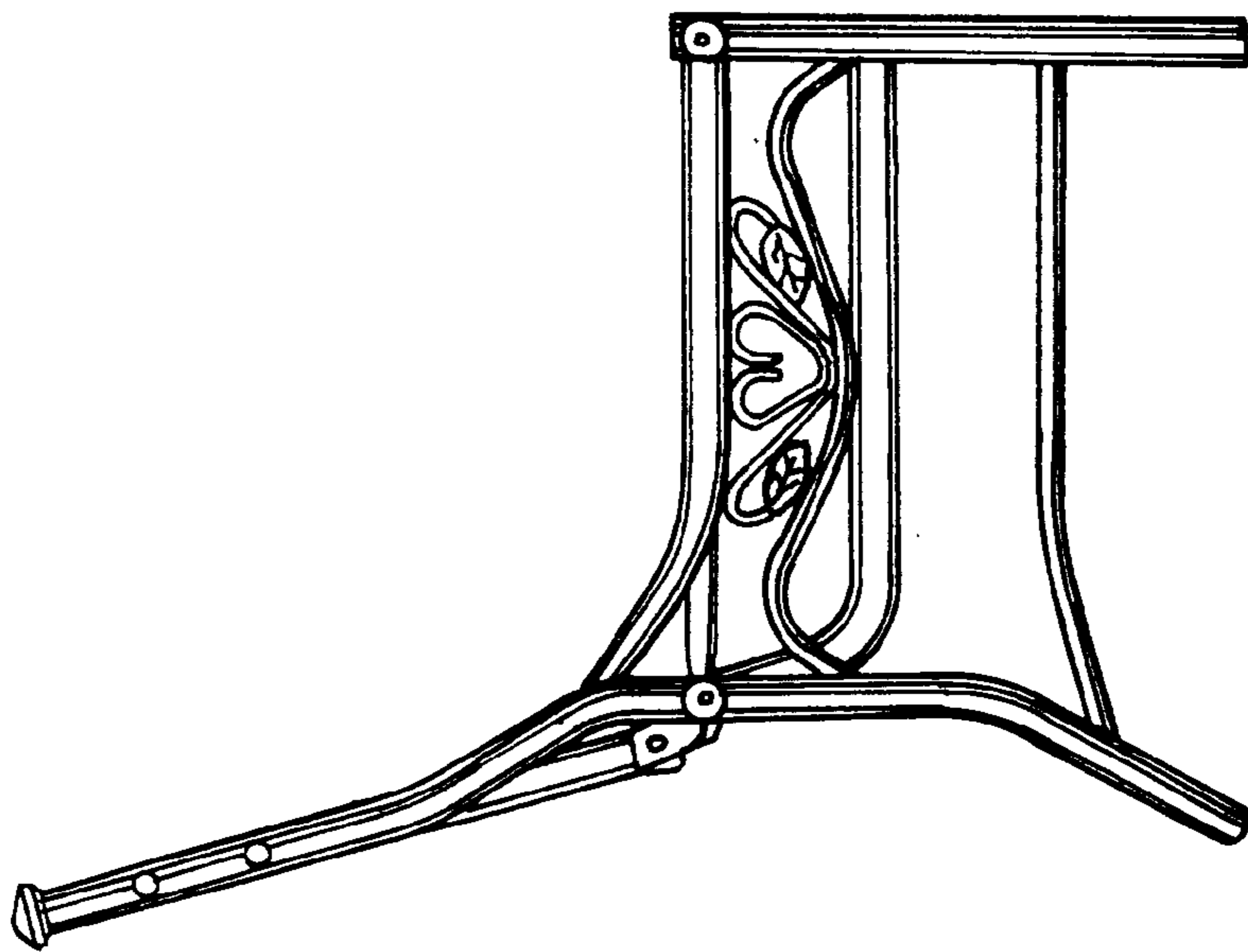


FIG. 4

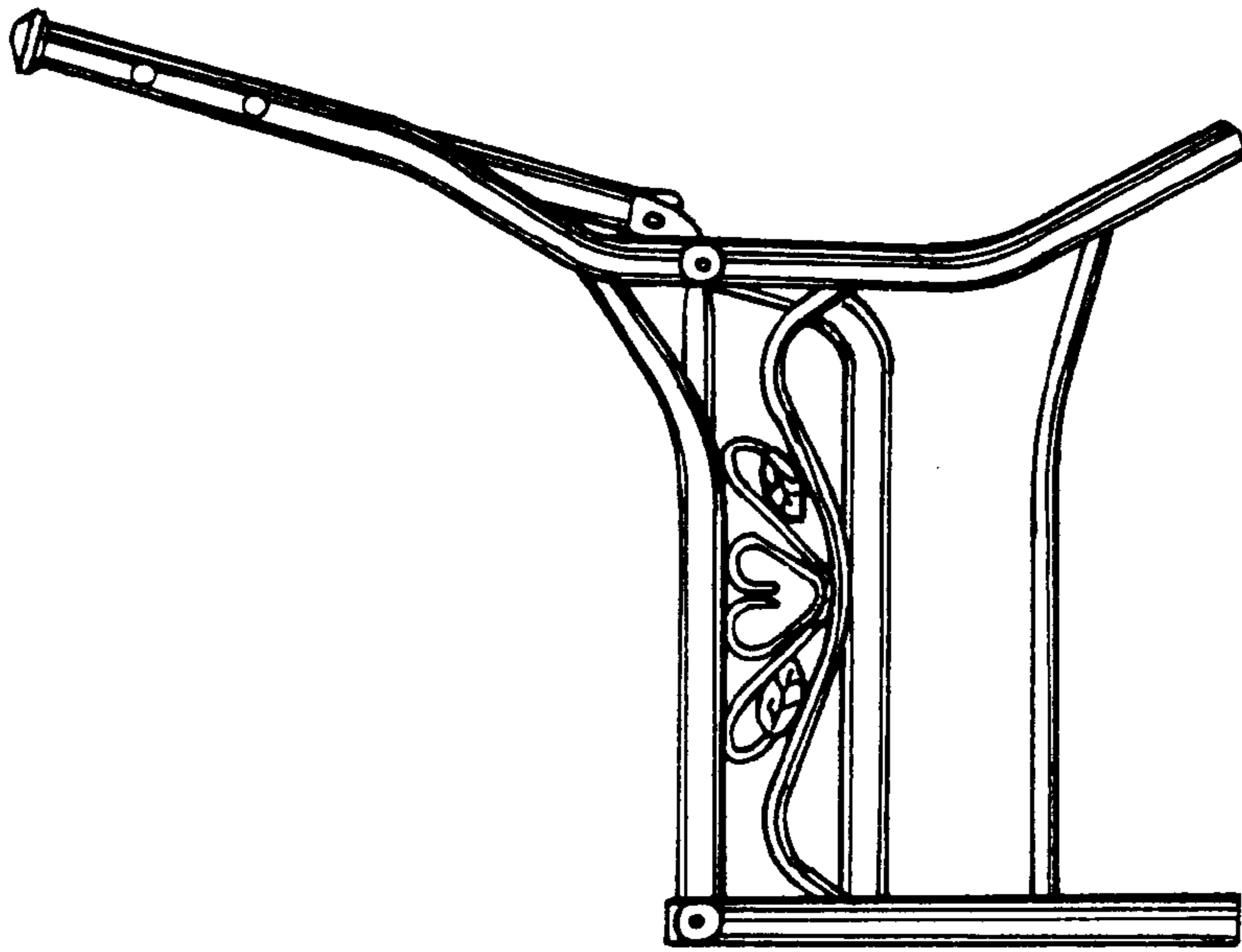


FIG. 5

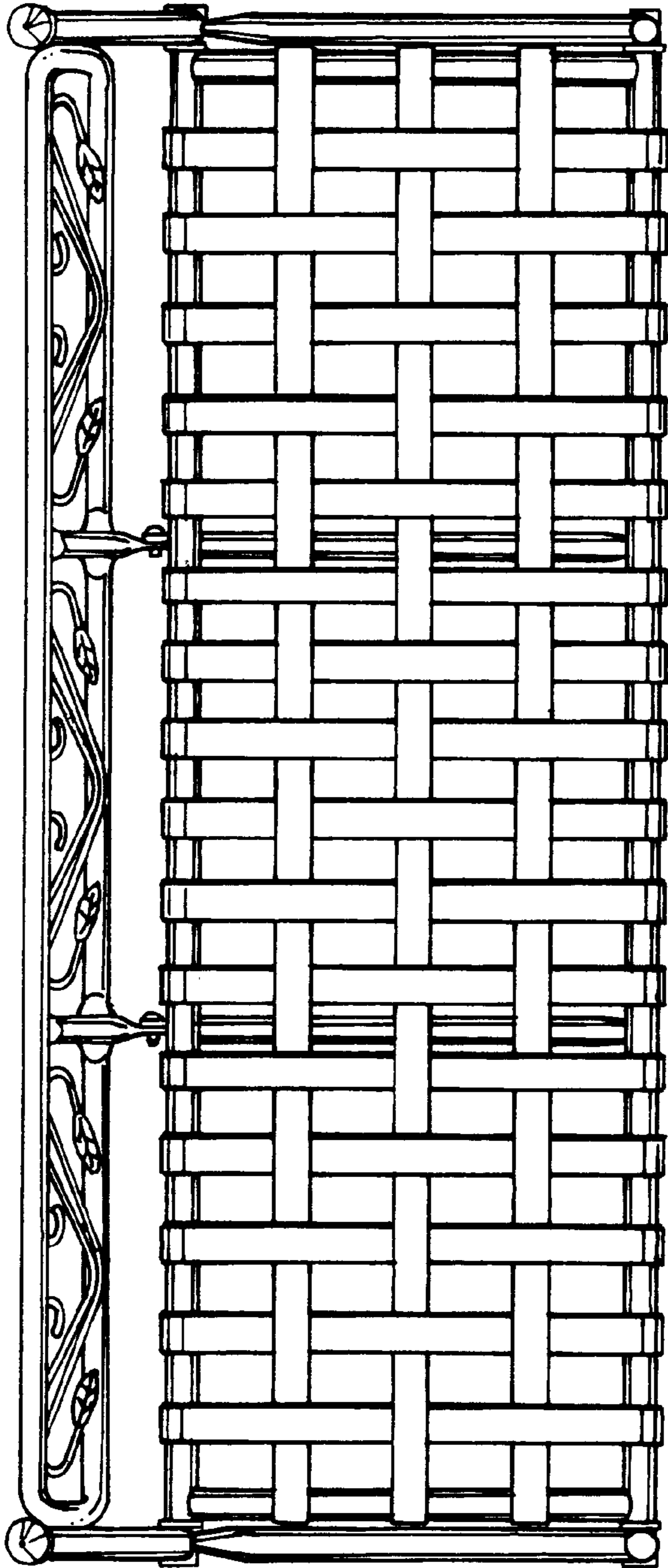


FIG. 6

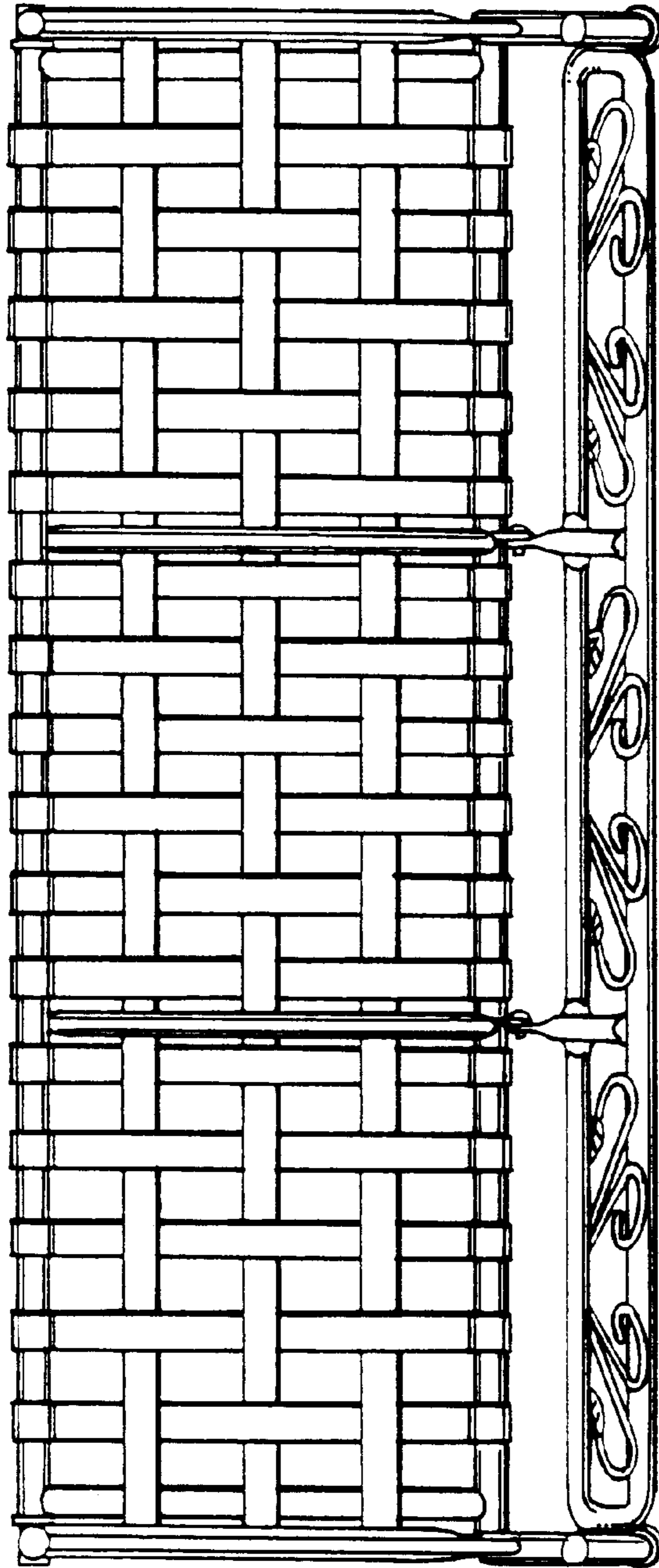


FIG. 7