



US00D420828S

United States Patent [19]

Bertoni

[11] Patent Number: **Des. 420,828**

[45] Date of Patent: **** Feb. 22, 2000**

[54] **CHAIR**

[75] Inventor: **Umberto Bertoni**, Cervignano del Friuli, Italy

[73] Assignee: **DE-TA Casa Srl**, Aiello del Friuli, Italy

[**] Term: **14 Years**

[21] Appl. No.: **29/082,514**

[22] Filed: **Jan. 23, 1998**

[30] Foreign Application Priority Data

Jul. 23, 1997 [XH] Hague Agreement DM/040873

[51] **LOC (7) Cl.** **06-01**

[52] **U.S. Cl.** **D6/380; D6/374**

[58] **Field of Search** D6/334, 374, 376, D6/379, 380, 500, 501, 502; 297/445.1

[56] References Cited

U.S. PATENT DOCUMENTS

- D. 149,980 6/1948 Spence D6/380
- D. 186,658 11/1959 Spilman D6/374
- D. 208,976 10/1967 Moecki D6/374
- D. 214,834 8/1969 Moore et al. D6/374

- D. 236,395 8/1975 Kinsman D6/374 X
- D. 251,943 5/1979 Mari D6/374
- D. 279,438 7/1985 Gerner D6/380
- D. 398,457 9/1998 Maly D6/380
- D. 402,817 12/1998 Schultz D6/374
- D. 404,586 1/1999 Citterio D6/380
- 4,549,764 10/1985 Haedo D6/380 X

OTHER PUBLICATIONS

Smith & Hawken, p. 44, chair shown.

Primary Examiner—Gary D. Watson
Attorney, Agent, or Firm—Antonelli, Terry, Stout & Kraus, LLP

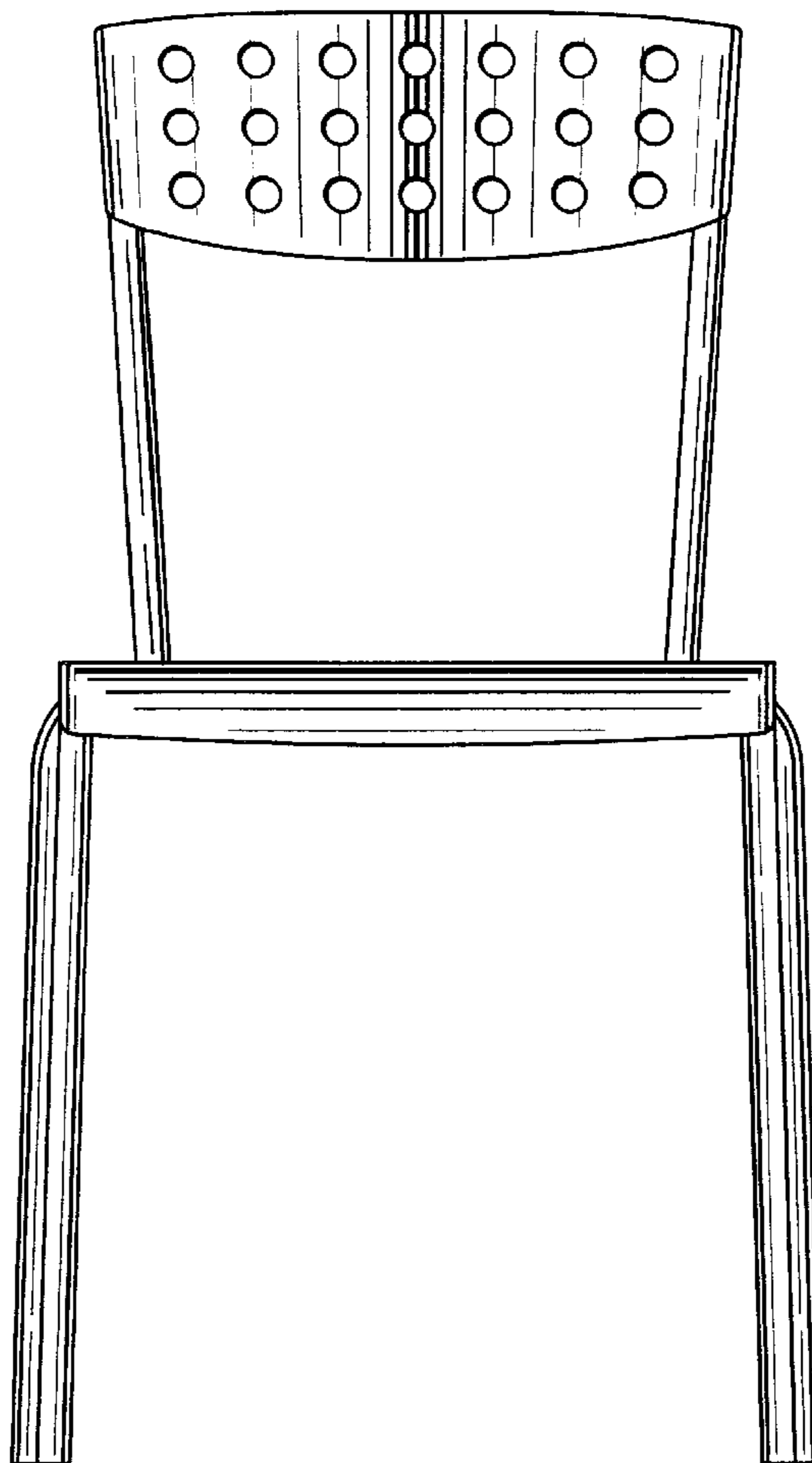
[57] CLAIM

The ornamental design for a chair, as shown.

DESCRIPTION

FIG. 1 is a front view of the chair;
FIG. 2 is a rear view of the chair;
FIG. 3 is a one side view of the chair;
FIG. 4 is the other side view of the chair;
FIG. 5 is a top view of the chair; and,
FIG. 6 is a bottom view of the chair.

1 Claim, 3 Drawing Sheets



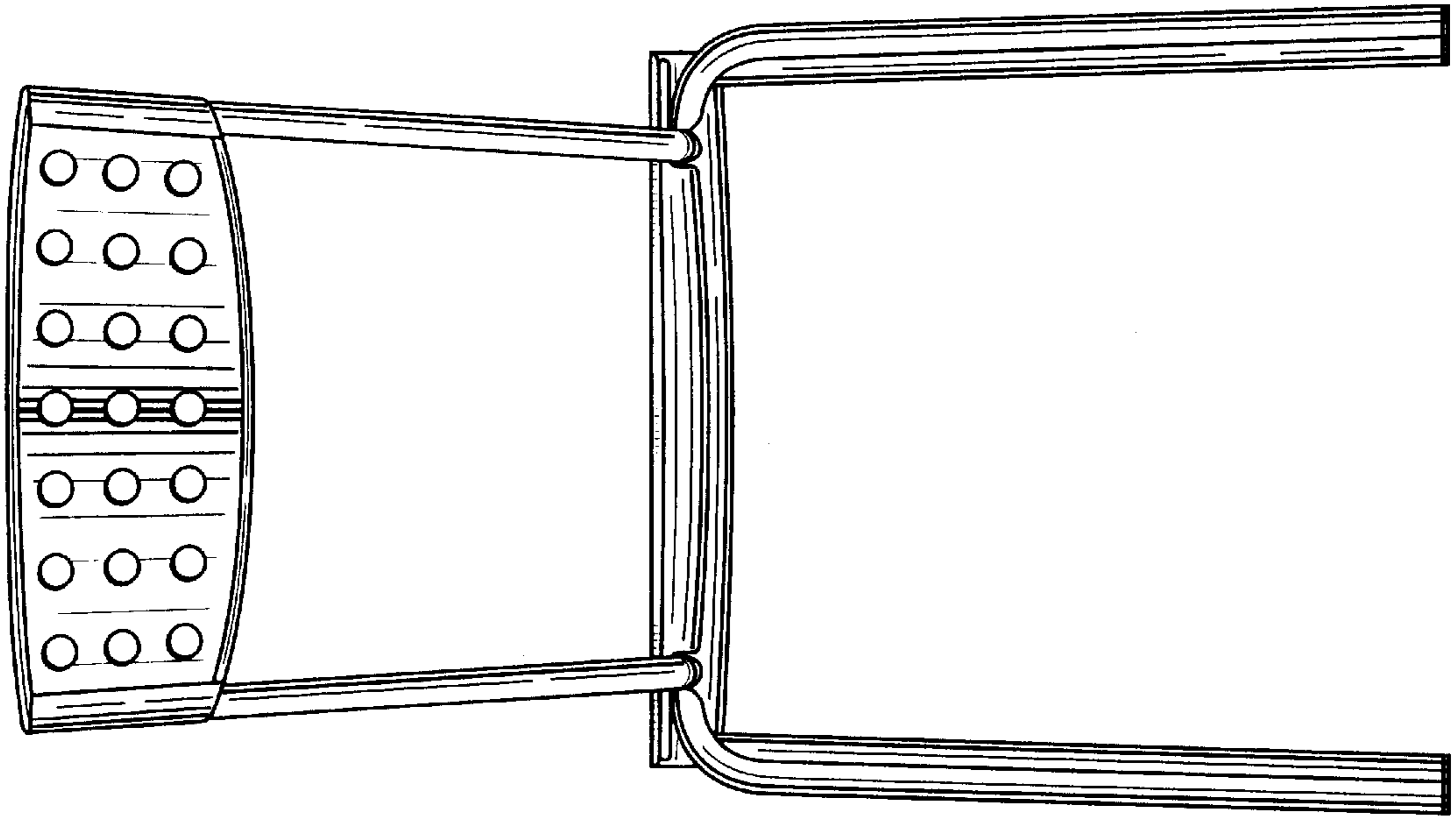


FIG. 2

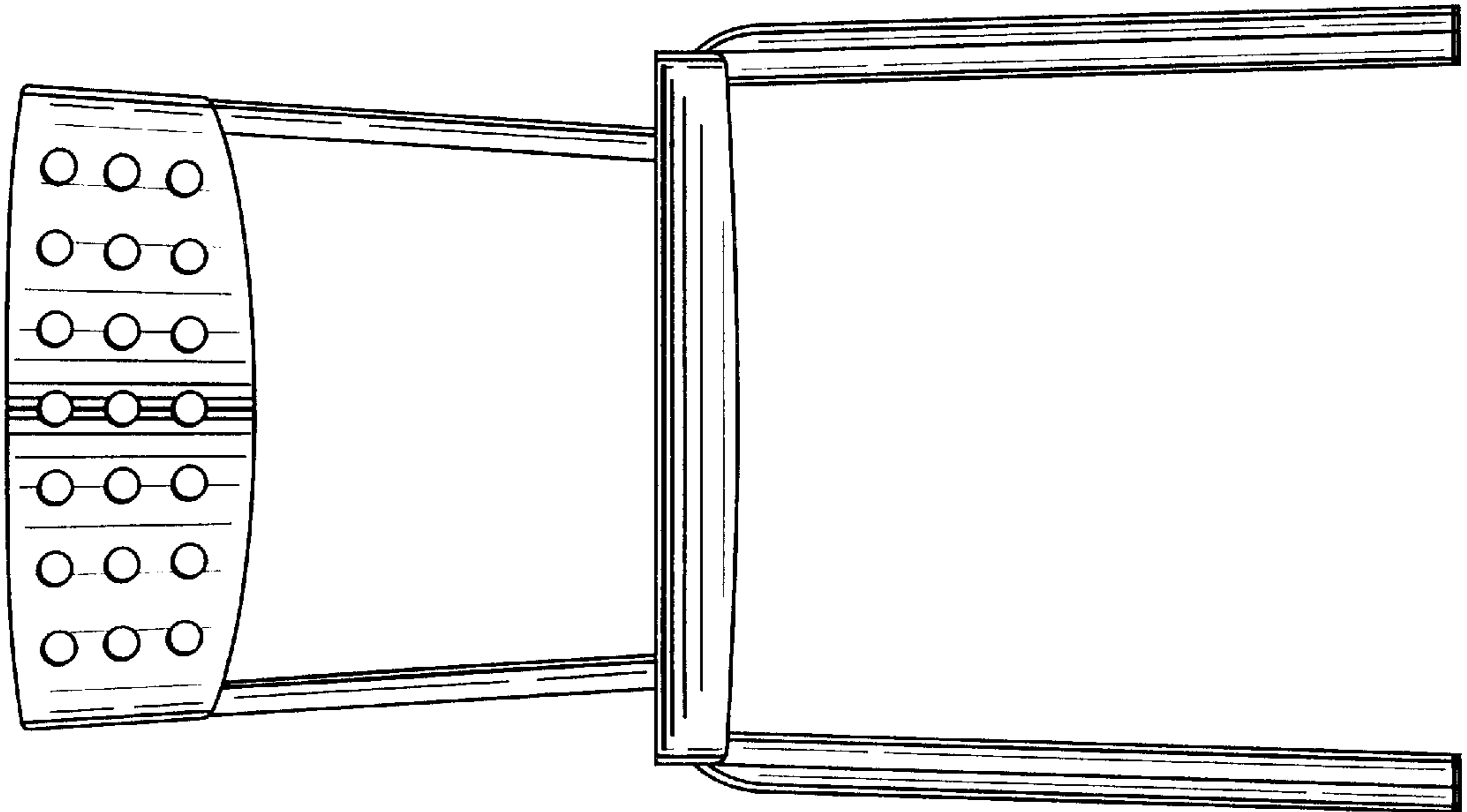


FIG. 1

FIG. 4

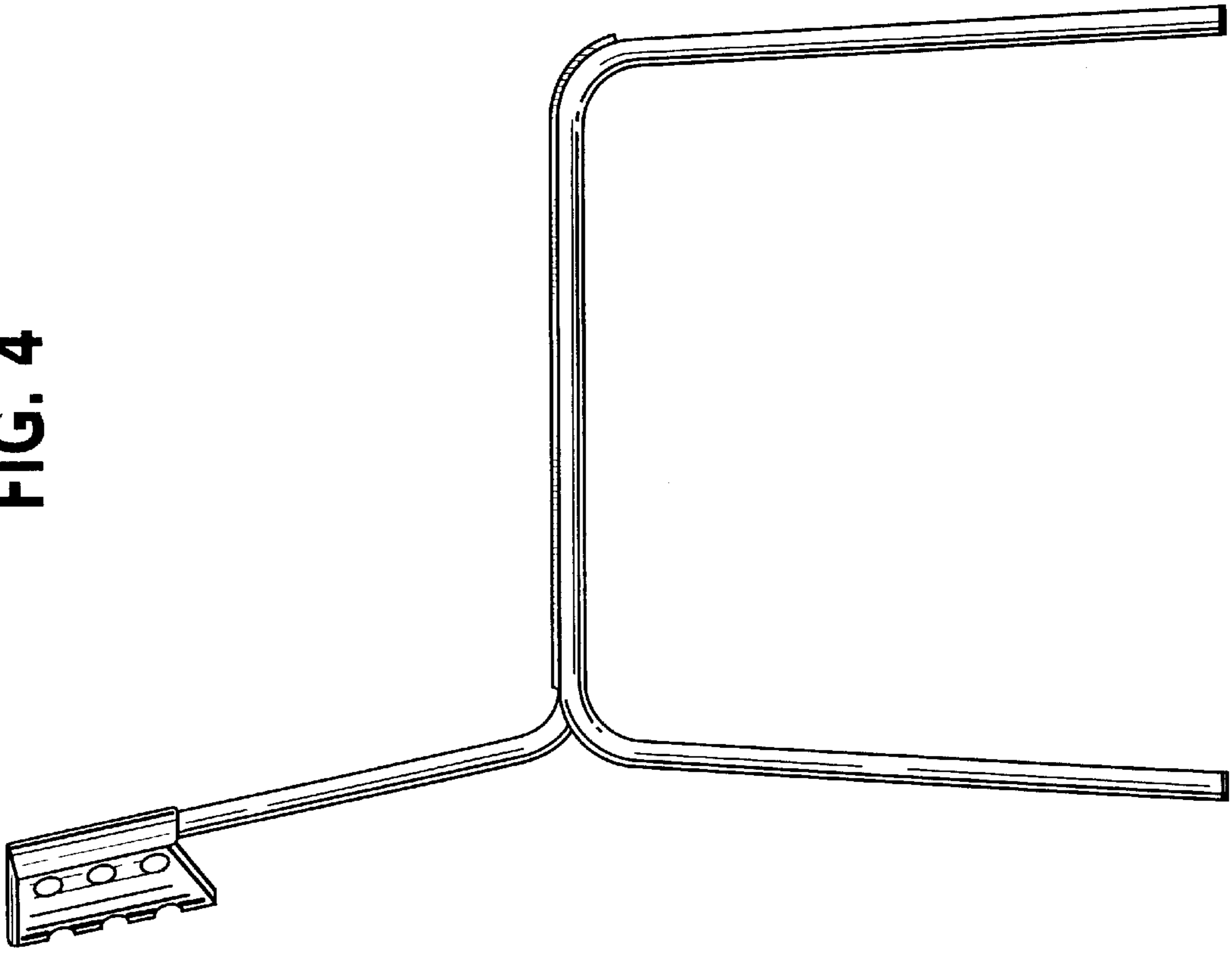


FIG. 3

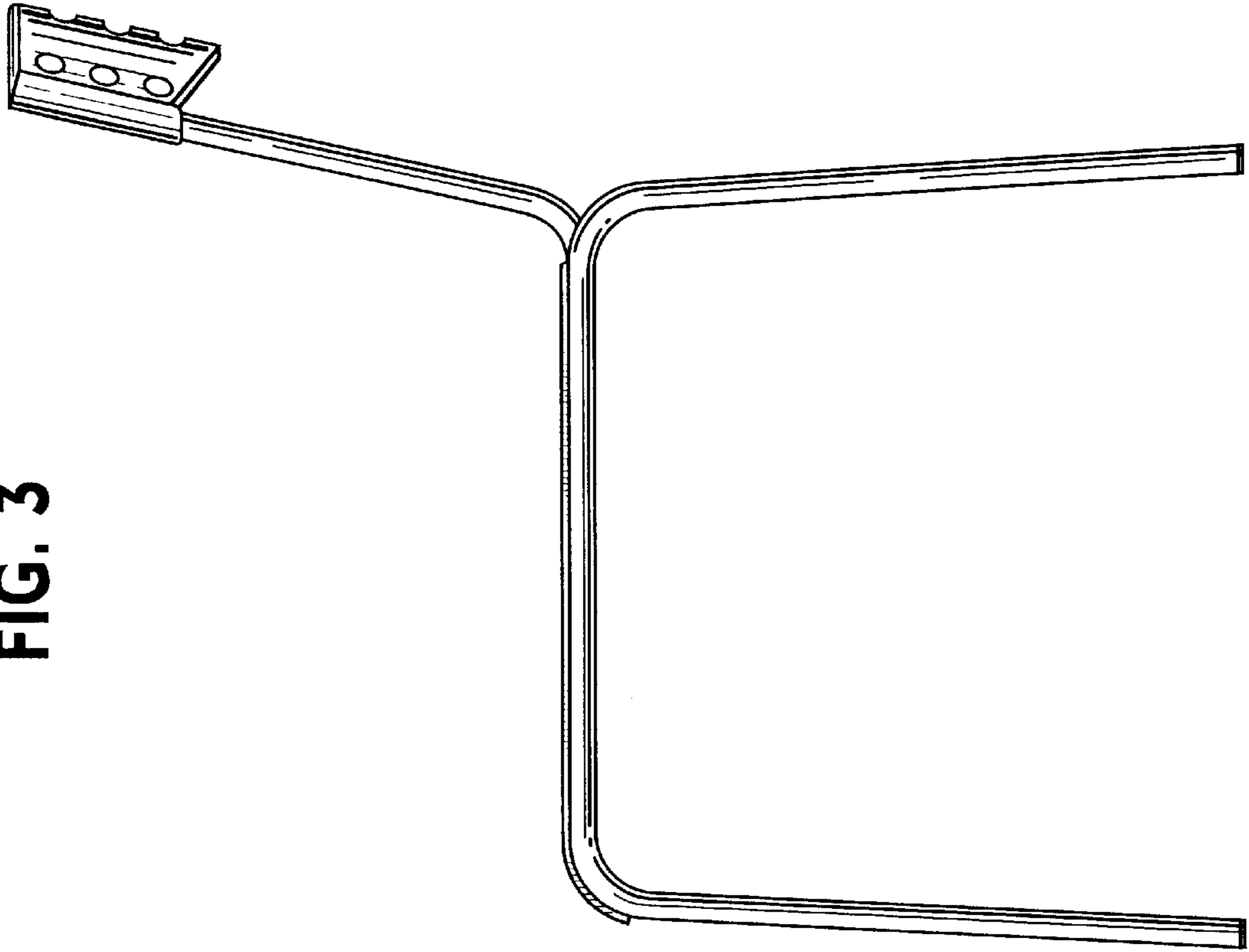


FIG. 6

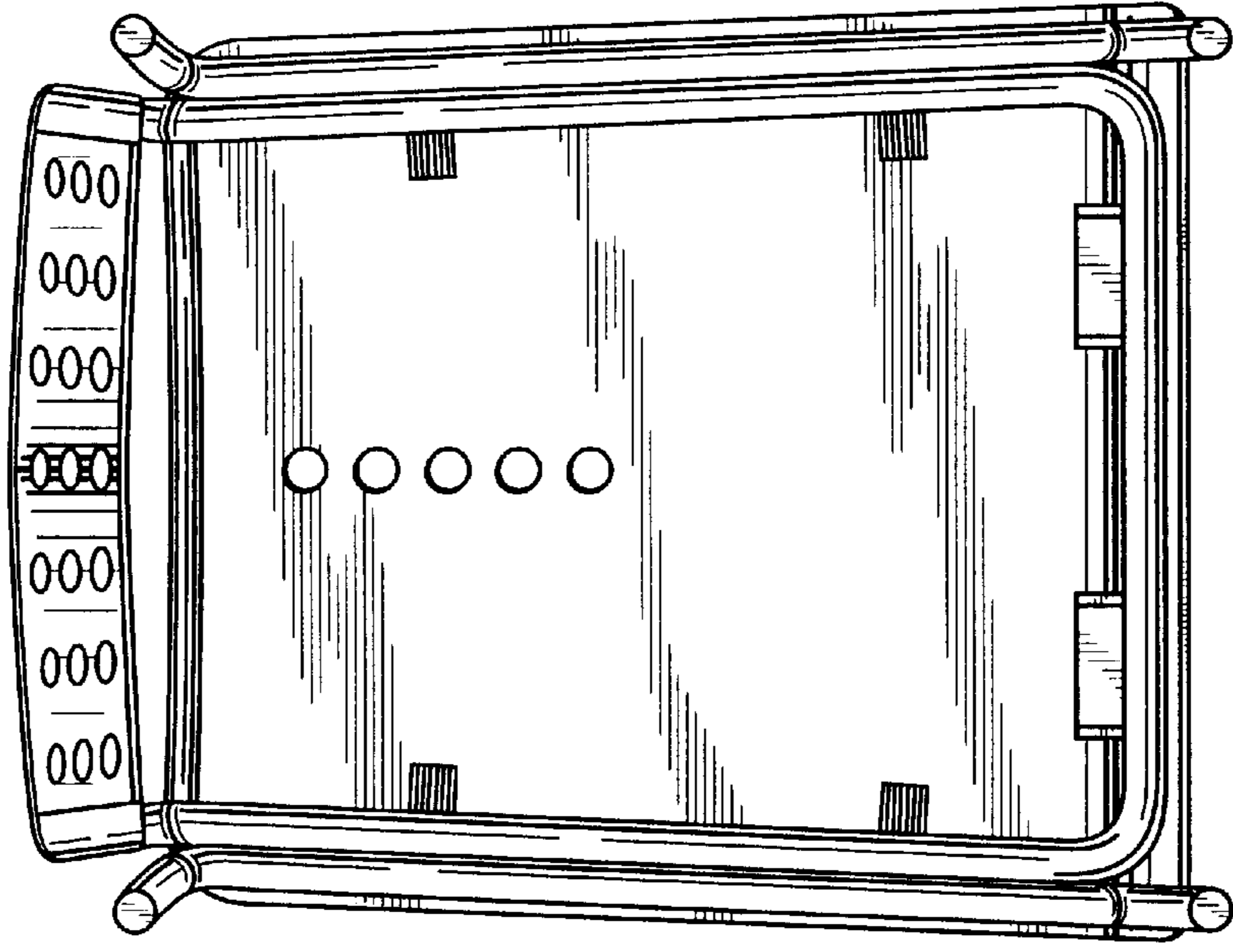


FIG. 5

