



US00D420824S

United States Patent [19]
Lin

[11] **Patent Number: Des. 420,824**

[45] **Date of Patent: ** Feb. 22, 2000**

[54] **CHAIR**

D. 399,667 10/1998 Muller D6/370
D. 407,228 3/1999 Walters D6/370

[76] Inventor: **Steve Lin**, No. 80, Kengtsai Ping,
Hoping Village, Chuchi Hsiang, Chiayi
Hsien, Taiwan

Primary Examiner—Gary D. Watson
Attorney, Agent, or Firm—Dellett and Walters

[**] Term: **14 Years**

[57] **CLAIM**

[21] Appl. No.: **29/103,898**

The ornamental design for a chair, as shown and described.

[22] Filed: **Apr. 22, 1999**

DESCRIPTION

[51] **LOC (7) Cl.** **06-01**

[52] **U.S. Cl.** **D6/370; D6/379**

[58] **Field of Search** D6/334, 370, 374,
D6/375, 376, 379, 380, 500, 501, 502;
297/411.42, 446.1, 452.63

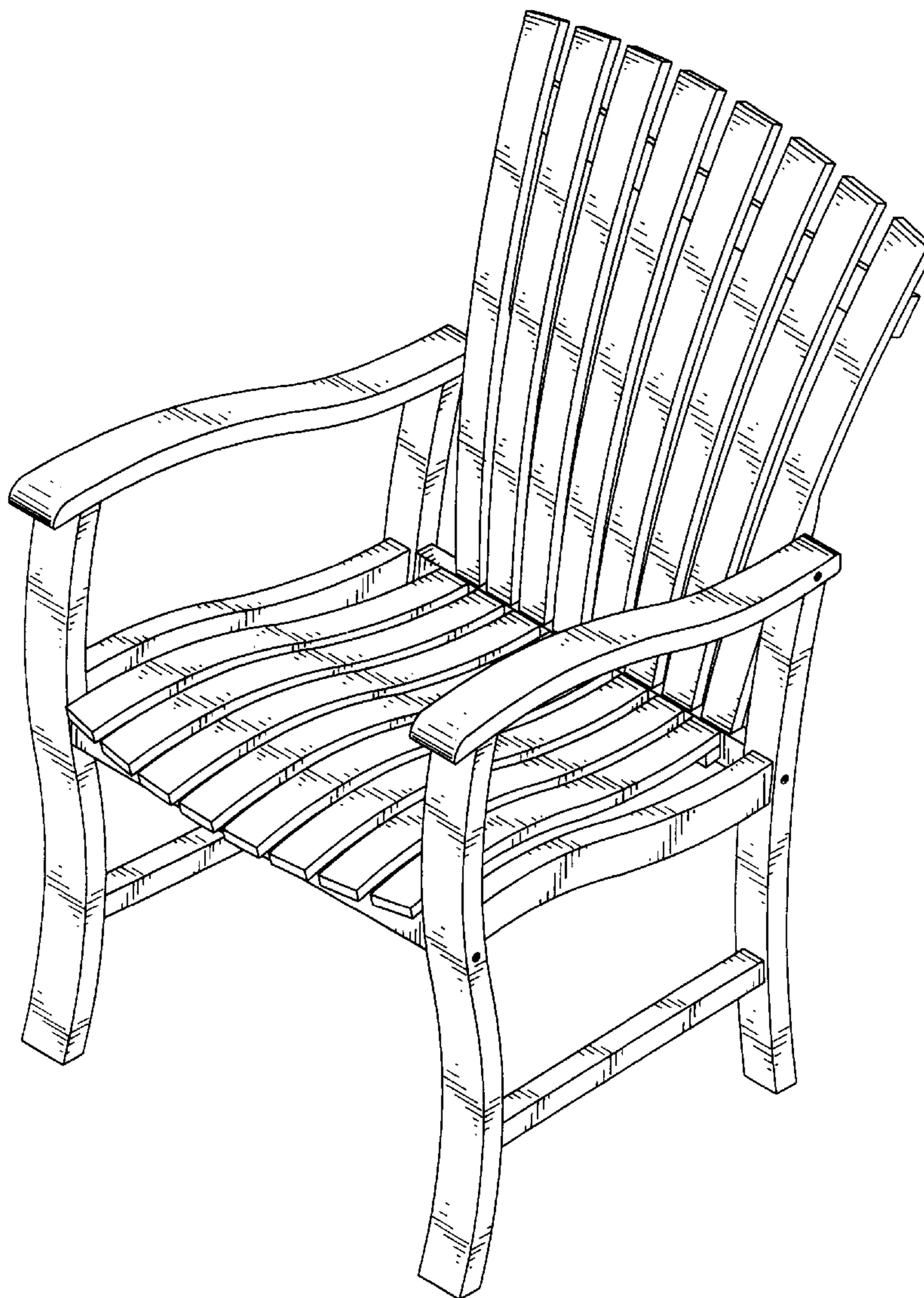
FIG. 1 is a front-left-top perspective view of a chair,
showing my new design;
FIG. 2 is a front elevational view thereof;
FIG. 3 is a rear elevational view thereof;
FIG. 4 is a left side view thereof;
FIG. 5 is a right side view thereof;
FIG. 6 is a top plan view thereof; and,
FIG. 7 is a bottom plan view thereof.

[56] **References Cited**

U.S. PATENT DOCUMENTS

D. 373,910 9/1996 Frinier D6/370

1 Claim, 4 Drawing Sheets



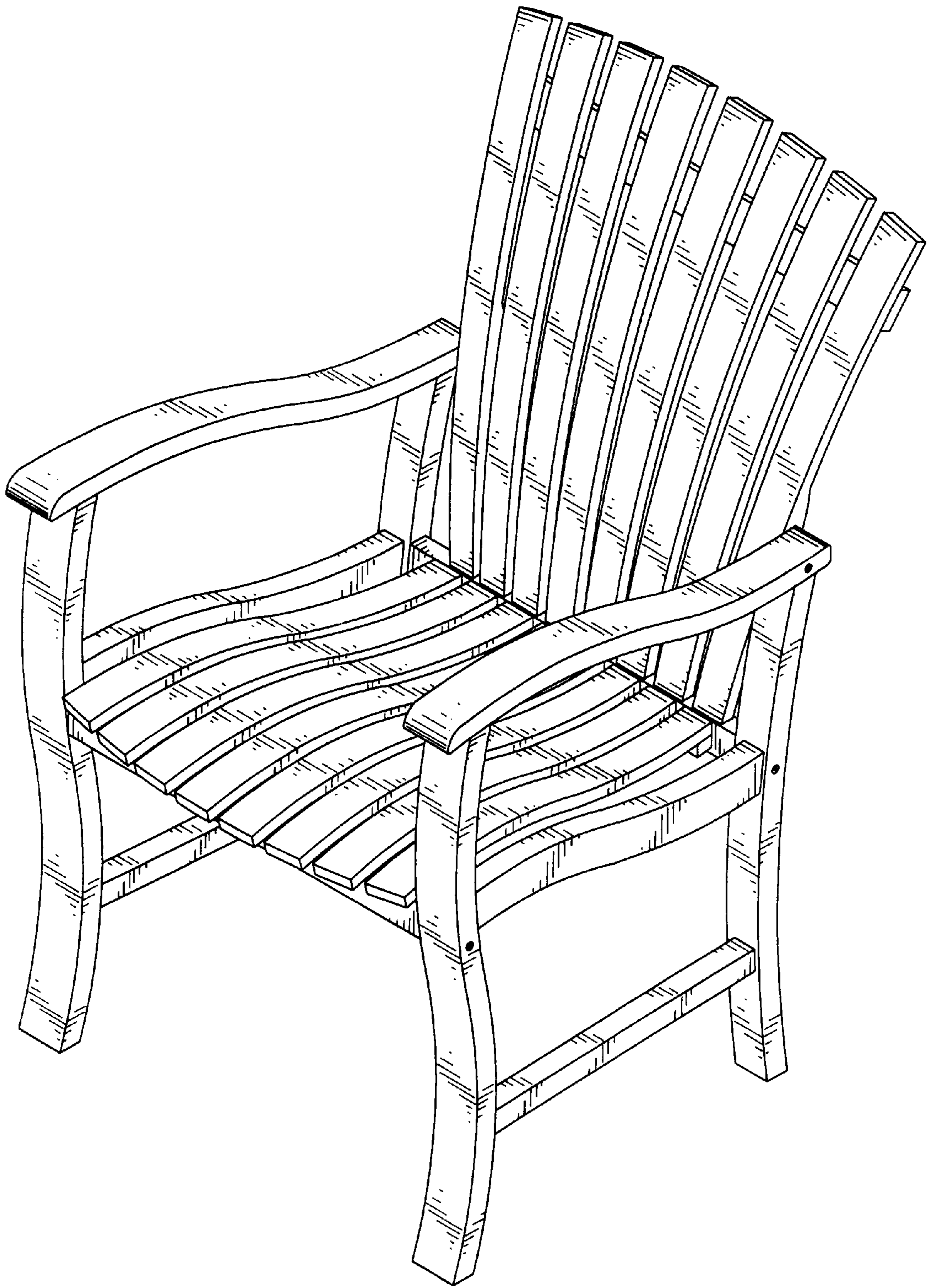


FIG. 1

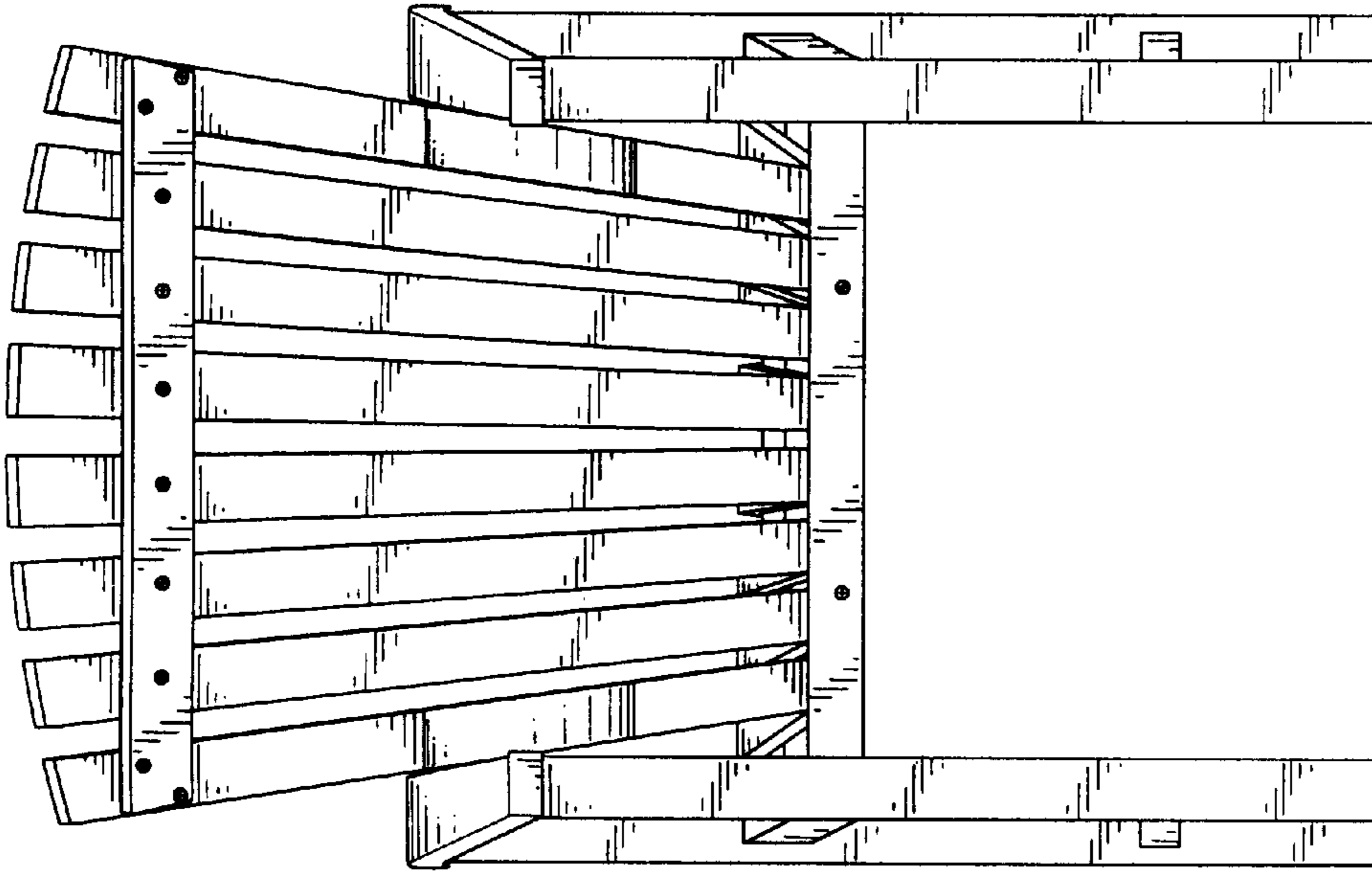


FIG. 3

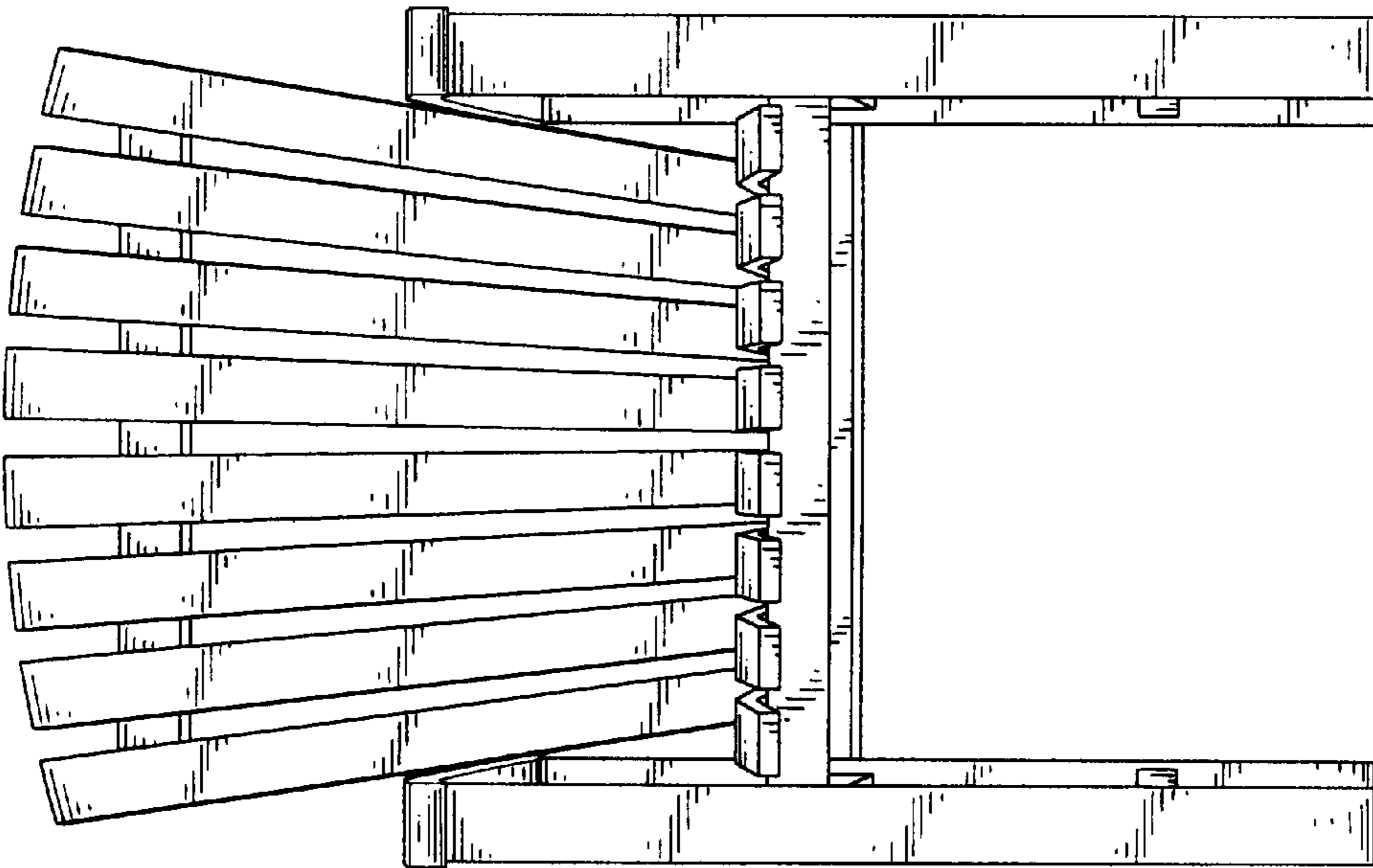


FIG. 2

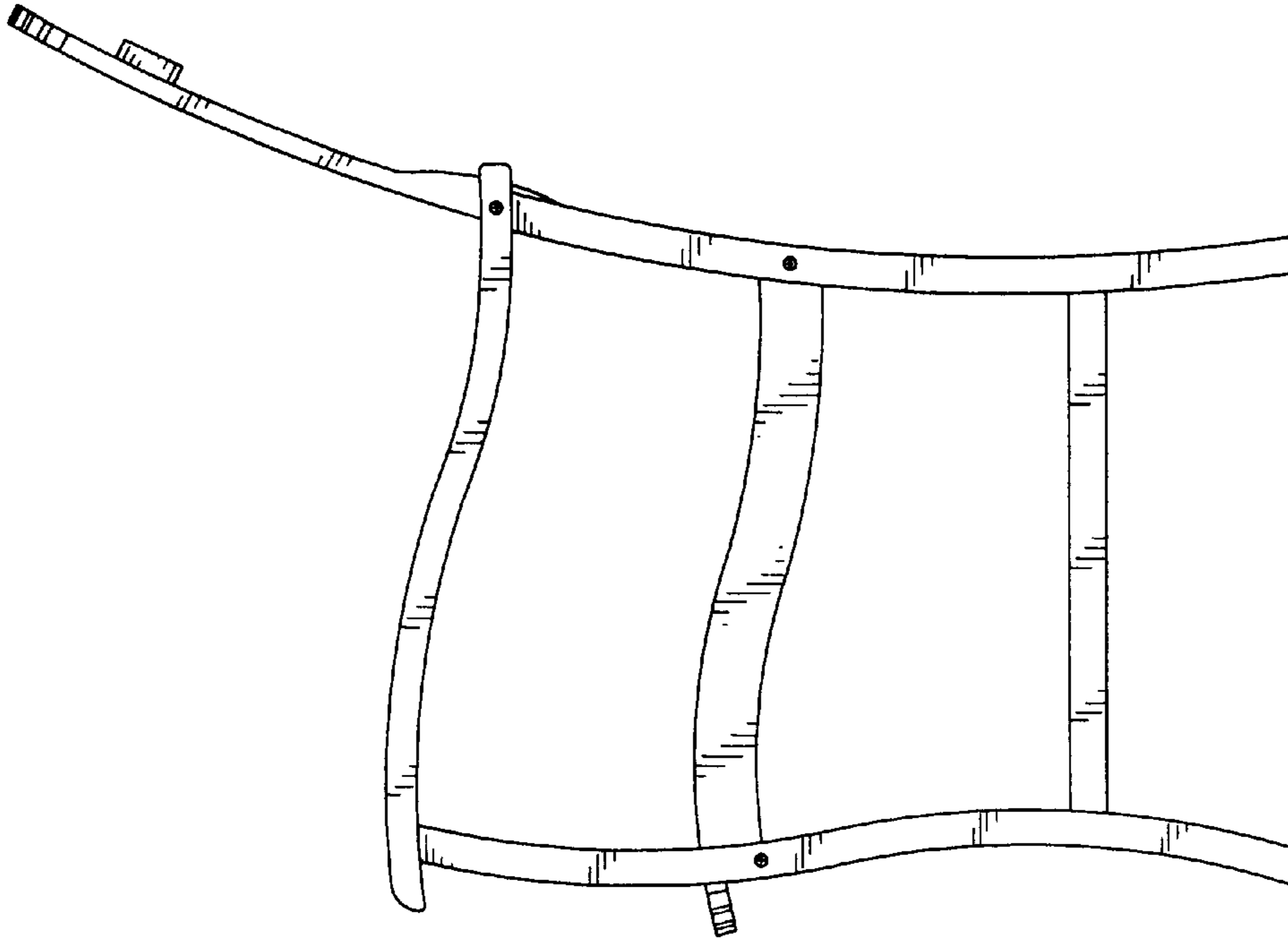


FIG. 5

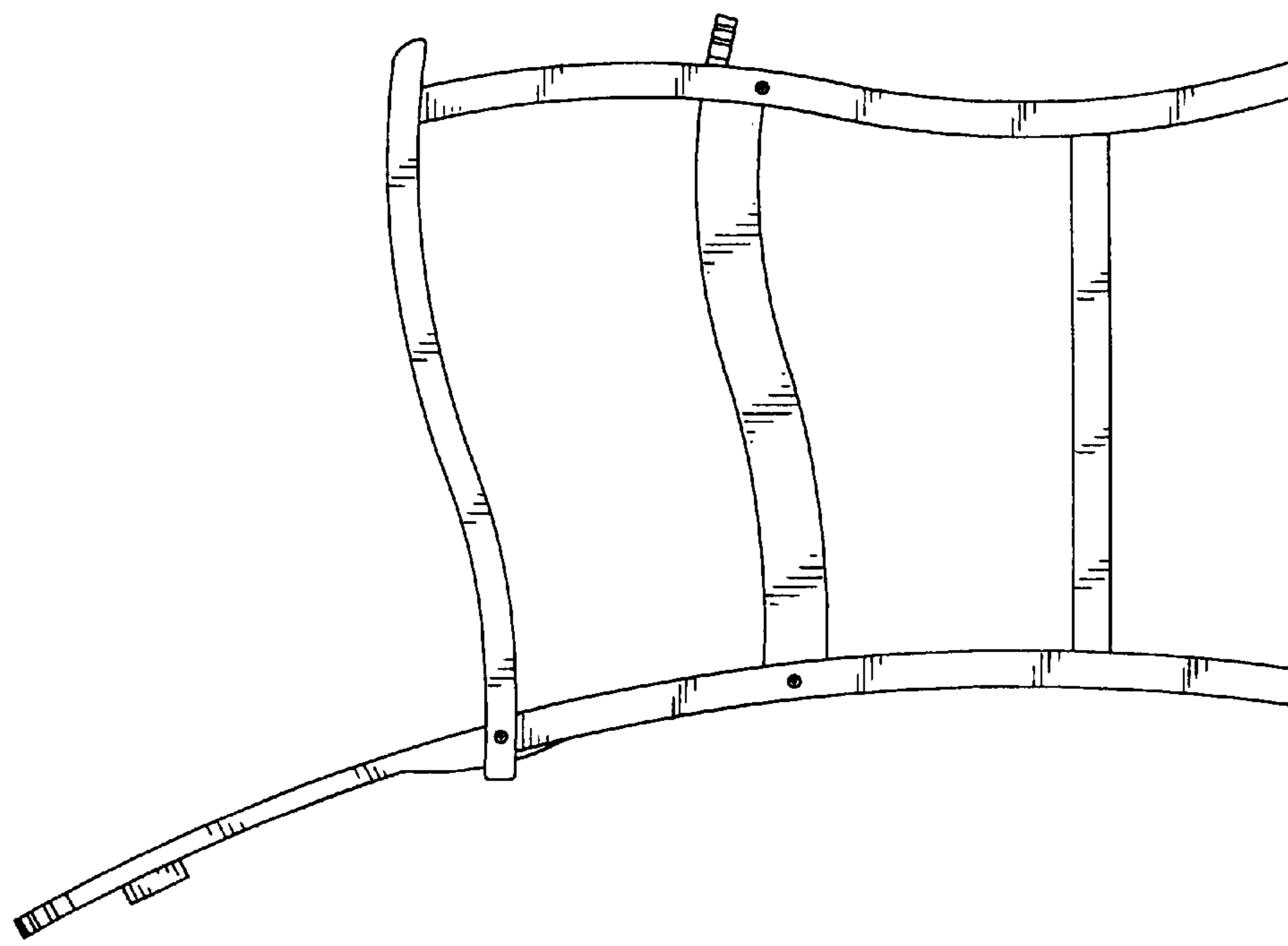


FIG. 4

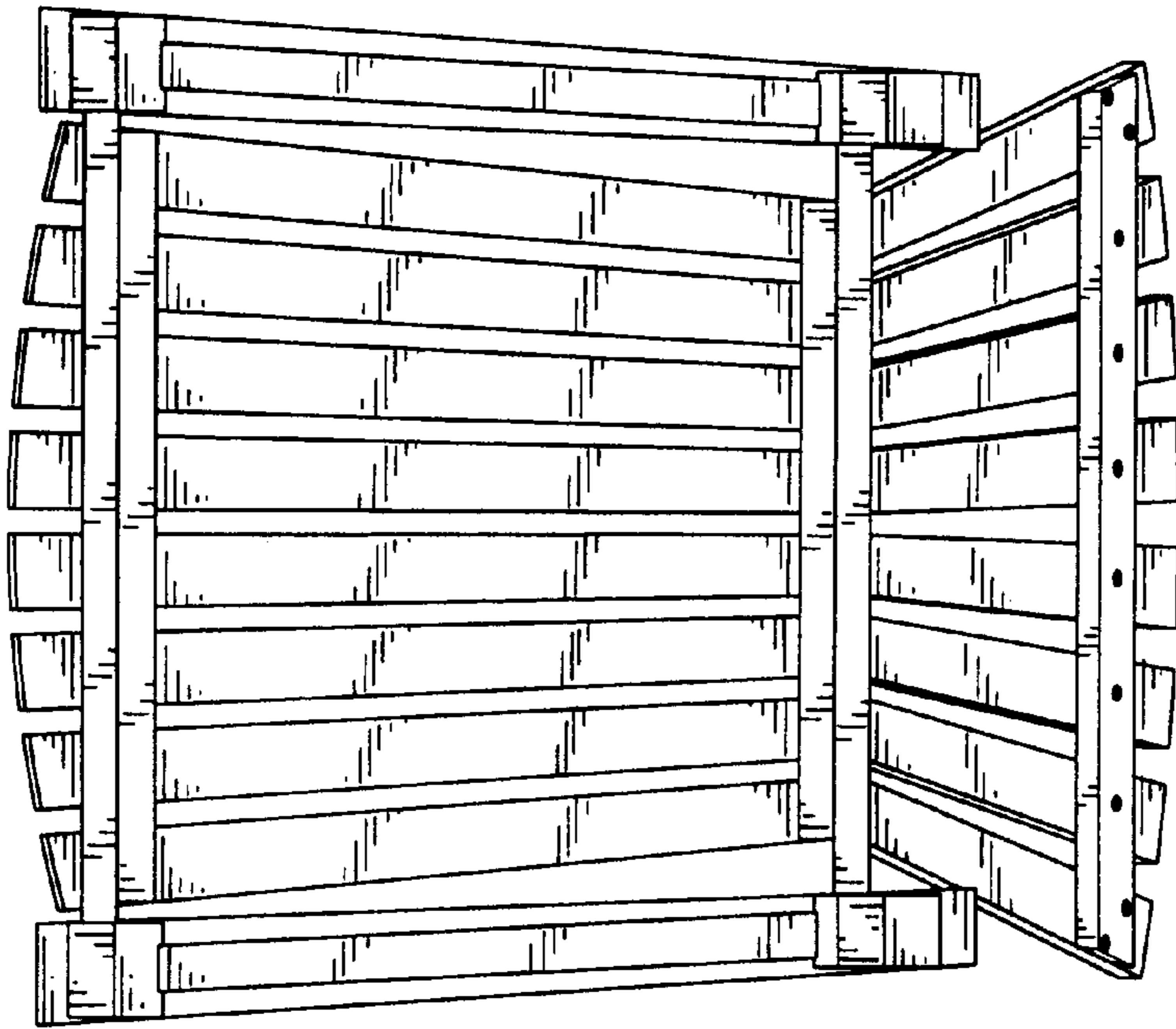


FIG. 7

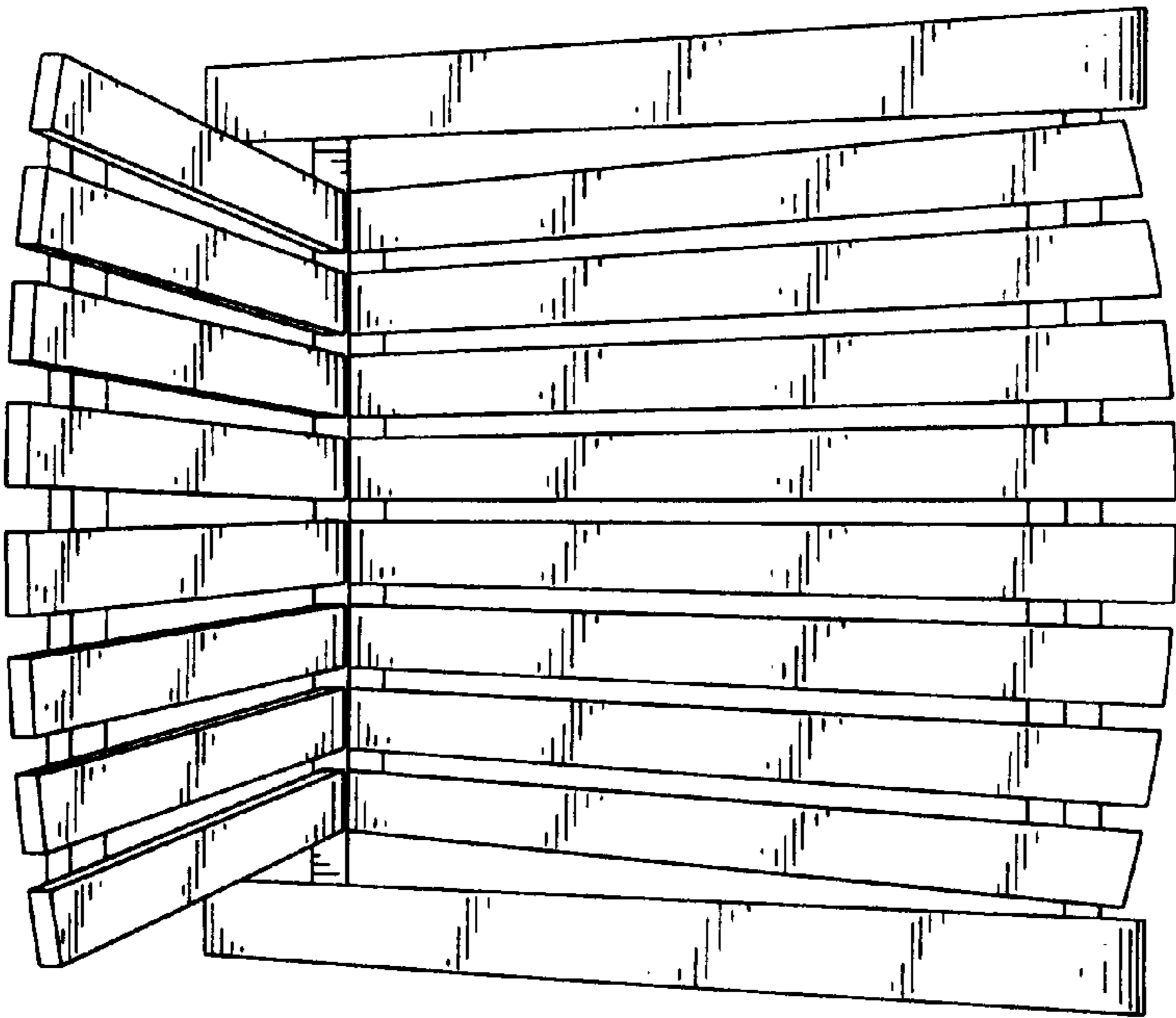


FIG. 6