



US00D420822S

# United States Patent [19] Sabo

[11] **Patent Number: Des. 420,822**

[45] **Date of Patent: \*\* Feb. 22, 2000**

[54] **DECK CHAIR**

[75] Inventor: **Irving Sabo**, Easton, Conn.

[73] Assignee: **Ethan Allen Marketing Corporation**, Danbury, Conn.

[\*\*] Term: **14 Years**

[21] Appl. No.: **29/086,427**

[22] Filed: **Apr. 13, 1998**

[51] **LOC (7) Cl.** ..... **06-01**

[52] **U.S. Cl.** ..... **D6/361**

[58] **Field of Search** ..... D6/334, 360, 361,  
D6/370, 374, 375, 379, 500, 501, 502;  
297/411.44, 445.1, 447.1, 448.1

[56] **References Cited**

**U.S. PATENT DOCUMENTS**

D. 175,624	9/1955	Laskowitz	.....	D6/361
D. 312,735	12/1990	Hoffmann	.....	D6/361
D. 349,611	8/1994	Kipperman	.....	D6/361
D. 354,404	1/1995	Greene	.....	D6/361
D. 379,722	6/1997	Good	.....	D6/361

**OTHER PUBLICATIONS**

Ethan Allen, p. 14, Lounge Chair & Ottoman at Mid-Page and Those Marked Below Same at Center, Rec'd Apr. 25, 1998.

*Primary Examiner*—Gary D. Watson  
*Attorney, Agent, or Firm*—Schweitzer Cornman Gross & Bondell LLP

[57] **CLAIM**

The ornamental design for a deck chair, as shown and described.

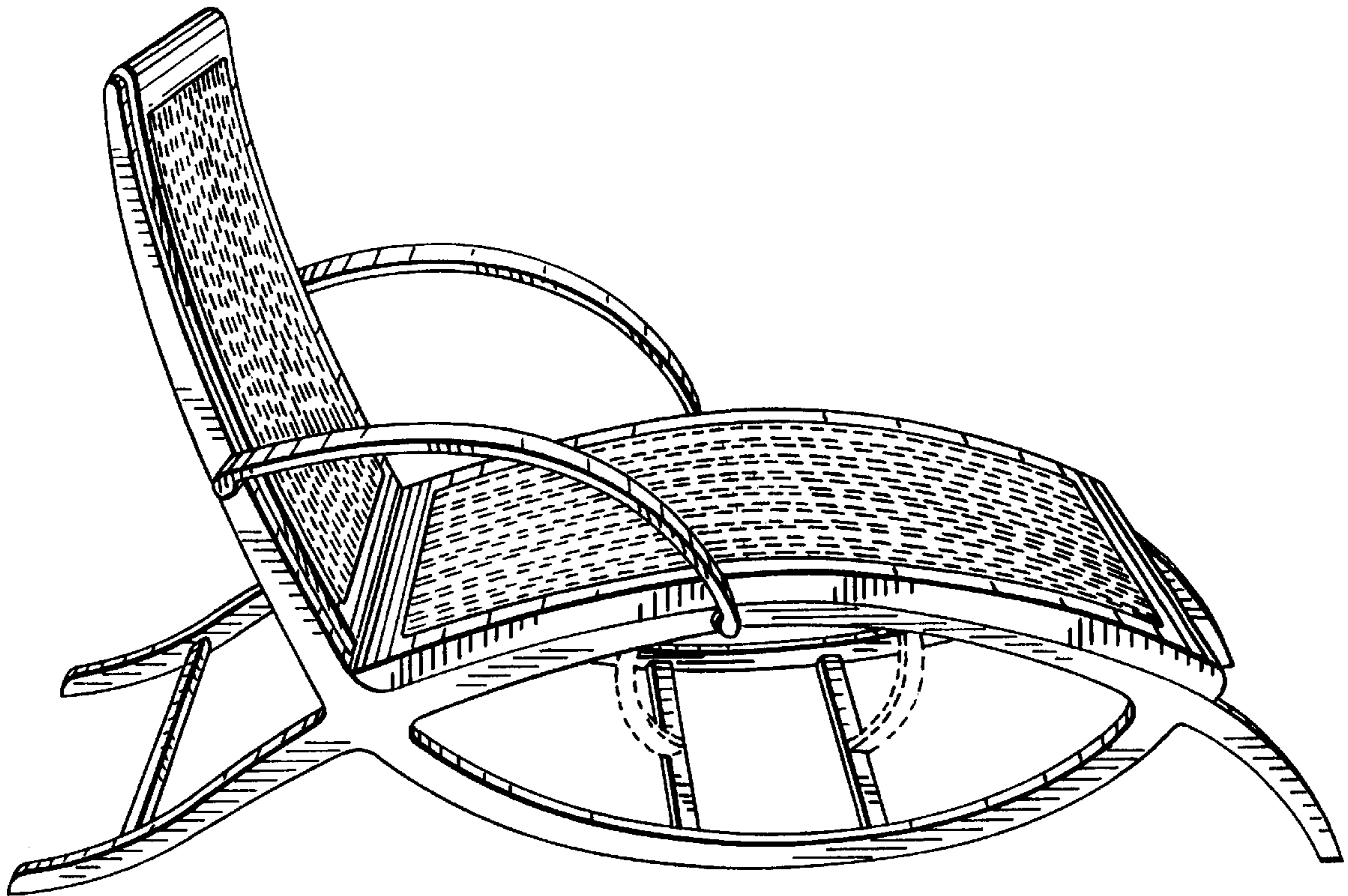
**DESCRIPTION**

FIG. 1 is a perspective view showing my new design; FIG. 2 is a front view thereof; FIG. 3 is a top view thereof; and, FIG. 4 is a side view thereof, the opposite side being a mirror image thereof.

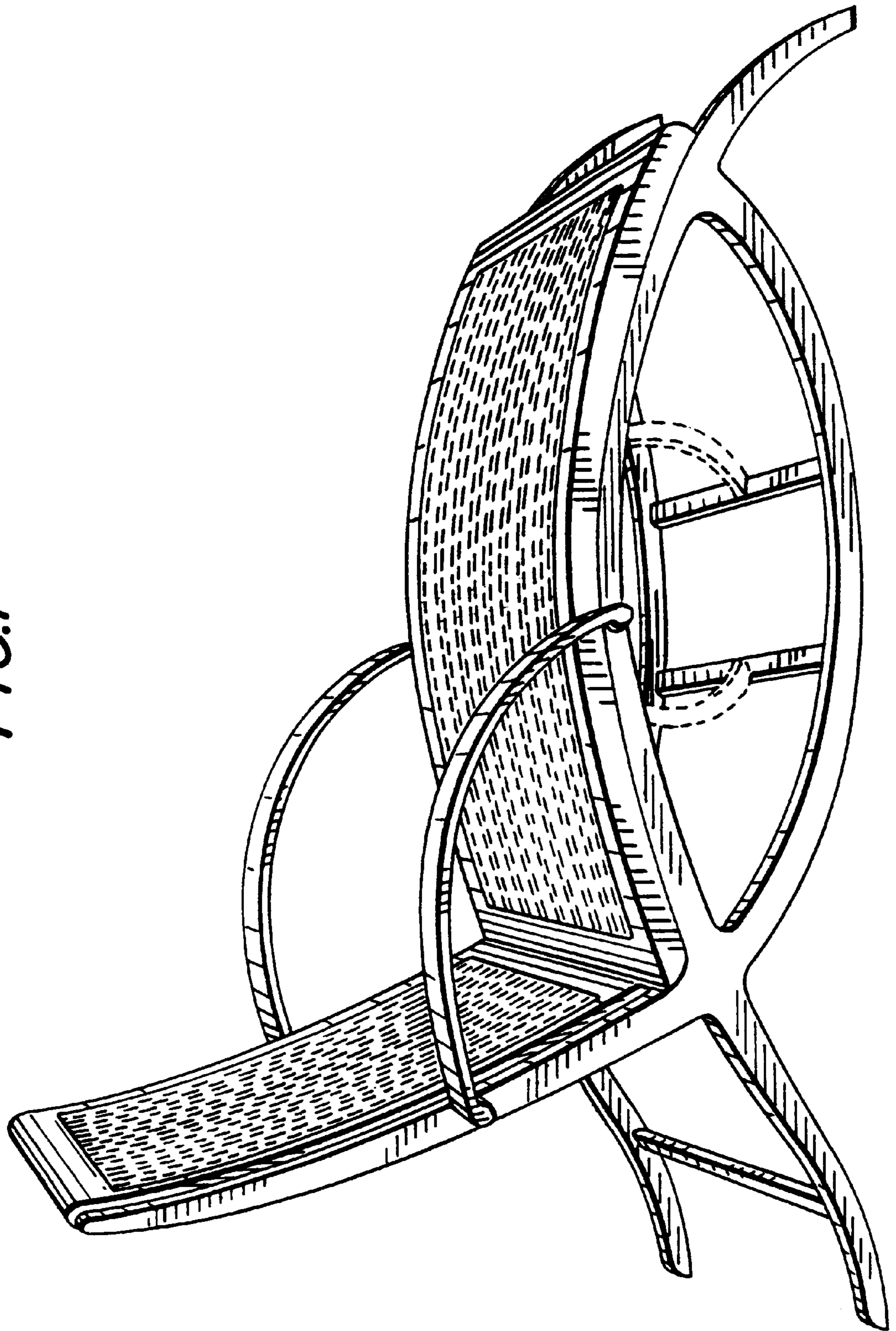
The broken lines shown in the drawings are for illustrative purposes only and form no part of the claimed design.

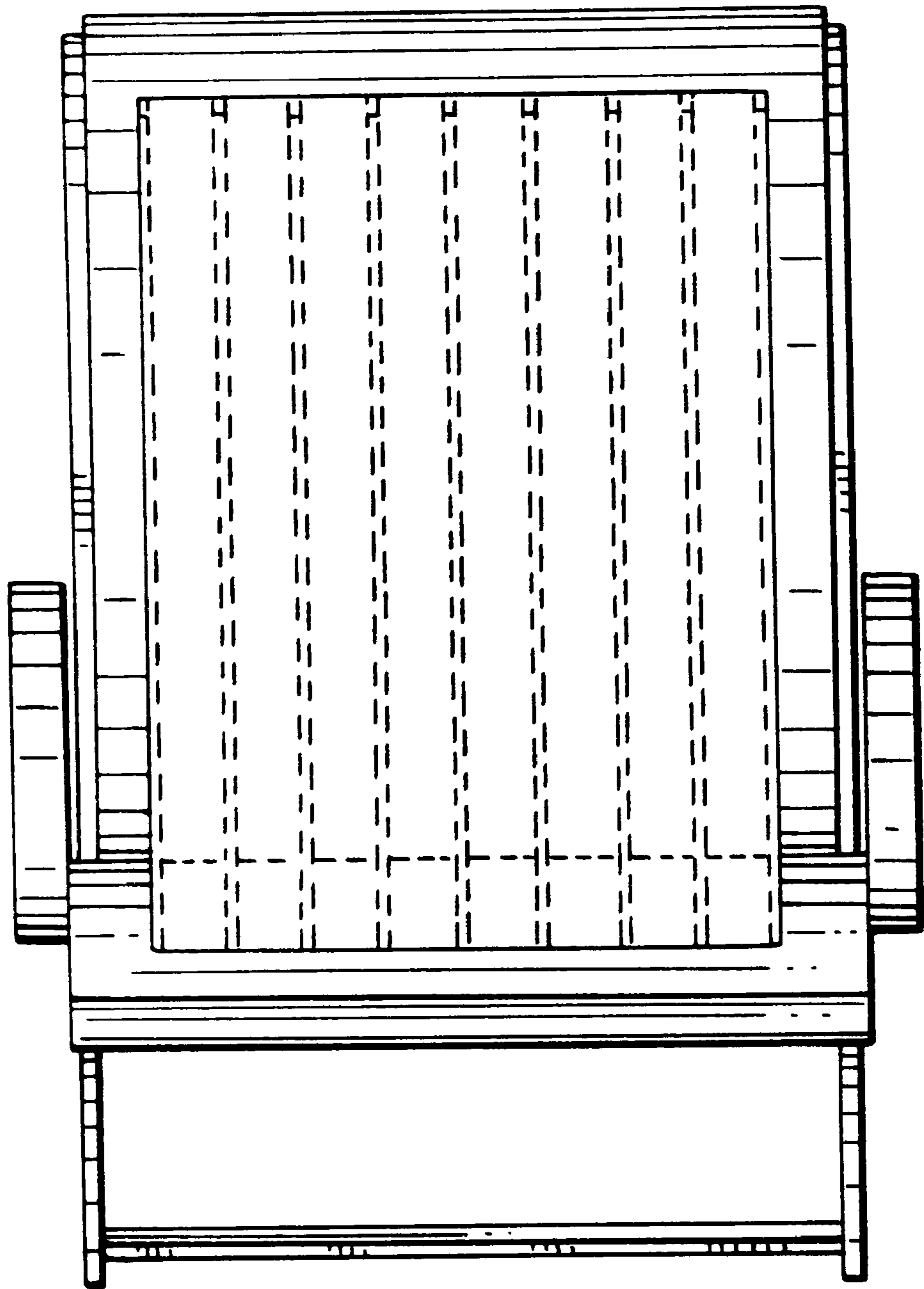
The portions of the article not shown in the drawing or described in the specification form no part of the claimed design.

**1 Claim, 4 Drawing Sheets**



*FIG. 1*





*FIG. 2*

*FIG. 3*

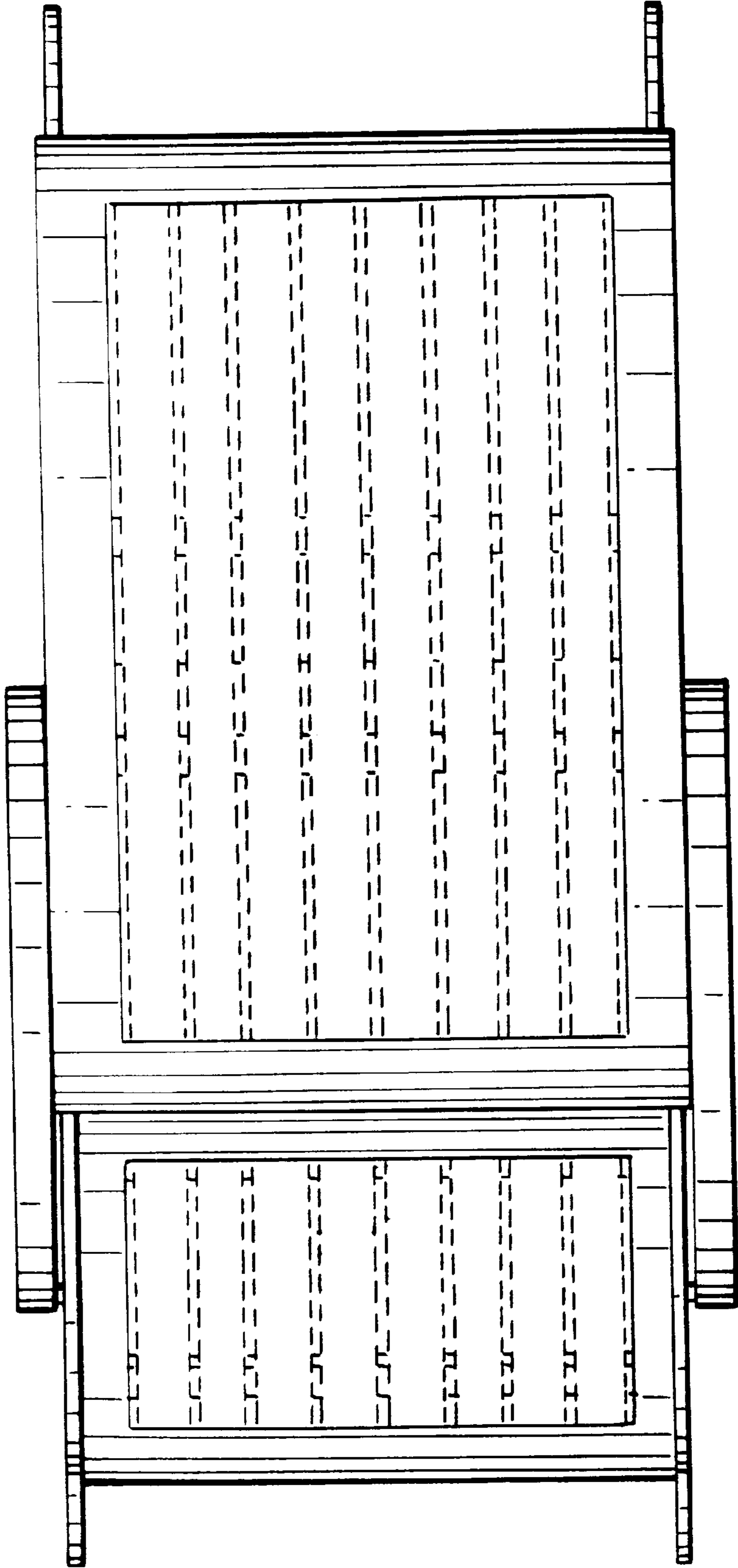


FIG. 4

