



US00D420812S

United States Patent [19] Chipman et al.

[11] Patent Number: **Des. 420,812**

[45] Date of Patent: **** Feb. 22, 2000**

[54] **CANOPIED SEATING SUPPORT STRUCTURE**

[75] Inventors: **Robert G. Chipman**, Austin, Tex.;
Brian J. Kane, San Francisco, Calif.;
Arno R. Yurk, Kalamazoo, Mich.

[73] Assignee: **Landscape Forms, Inc.**, Kalamazoo, Mich.

[*] Notice: This patent is subject to a terminal disclaimer.

[**] Term: **14 Years**

[21] Appl. No.: **29/098,194**

[22] Filed: **Dec. 23, 1998**

[51] **LOC (7) Cl.** **06-01**

[52] **U.S. Cl.** **D6/335**

[58] **Field of Search** D6/334, 335, 336,
D6/344, 346, 347, 362, 370, 381, 500,
501, 502; 297/184.1, 232, 273, 281, 440.15;
D21/521; D25/1, 18, 56; 52/74; 135/87,
90

[56] **References Cited**

U.S. PATENT DOCUMENTS

D. 183,772	10/1958	Simpson	D25/56
D. 200,851	4/1965	Wise	D15/1
D. 227,457	6/1973	Sklaroff	D25/18
D. 260,059	8/1981	Vorwerck	D6/54
334,584	1/1886	Haynes	.	
D. 338,073	8/1993	Wall	D25/56
D. 363,790	10/1995	Boyd	D25/56
D. 378,137	2/1997	Gregoire	D25/56
D. 412,993	8/1999	Chipman et al.	D25/56
536,131	3/1895	Coldwell	.	
2,128,539	8/1938	Roach	108/1
3,195,274	7/1965	Utig	50/49
3,303,851	2/1967	Grunfeld	135/7.1
4,621,865	11/1986	Herrera	297/157
4,796,391	1/1989	Lu	52/73
5,185,972	2/1993	Markiewicz	52/63

5,200,240	4/1993	Baker	428/34.1
5,255,897	10/1993	Pepper	256/24
5,524,405	6/1996	Byrd	52/295
5,649,688	7/1997	Baker	256/21

FOREIGN PATENT DOCUMENTS

2589-184	4/1987	France	.
631566	11/1949	United Kingdom	.

OTHER PUBLICATIONS

“StreetSmart Designs” marketed by JWI, Holland, MI, Sweets Catalog 1998, 2 pp.

“Environmentally Friendly Shelters”, marketed by Americana Building Products, Sweets Catalog 1998, BuyLine 6780, 2 pp.

“Shelters”, marketed by Brasco International, Detroit, MI, Sweets Catalog 1998, BuyLine 0250, 3 pp.

“Shelters”, marketed by Cambridge Designs, Greenville, AL, Sweets Catalog 1998, 1 page.

“Poligon Park Architecture”, Sweets Catalog 1998, BuyLine 4455, 4 pp.

Primary Examiner—Doris V. Coles

Assistant Examiner—Mimosa De

Attorney, Agent, or Firm—Heslin & Rothenberg, P.C.

[57] **CLAIM**

The ornamental design for a canopied seating support structure, as shown and described.

DESCRIPTION

FIG. 1 is an isometric view of the canopied seating support structure of our new design;

FIG. 2 is a front elevational view thereof;

FIG. 3 is a rear elevational view thereof;

FIG. 4 is a right side elevational view, the left side elevational view being a mirror image thereof;

FIG. 5 is a top plan view thereof; and,

FIG. 6 is a bottom plan view thereof.

The broken line showing in the drawing figures is for illustrative purposes only and form no part of the claimed design.

1 Claim, 6 Drawing Sheets

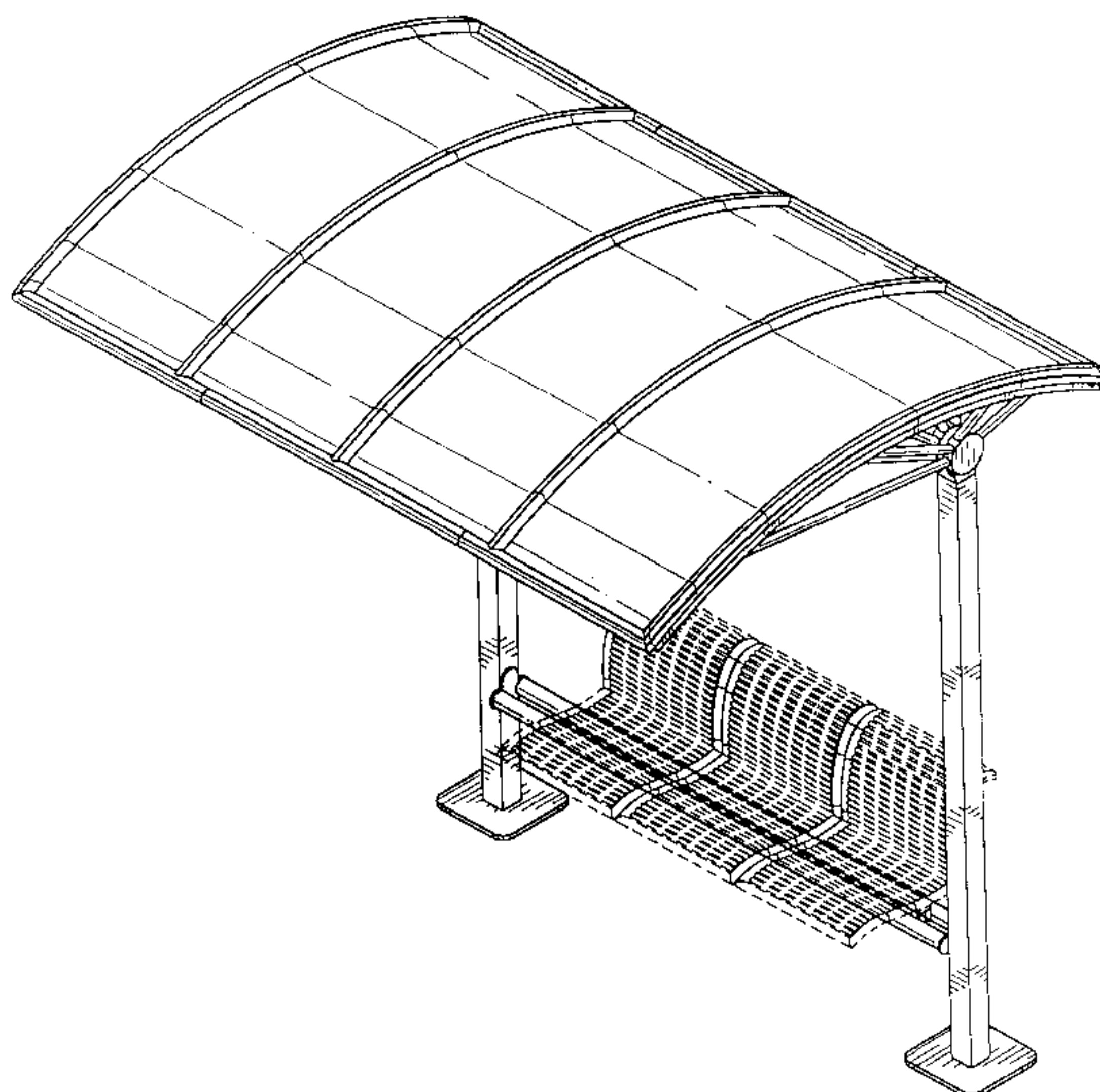


FIG. 1

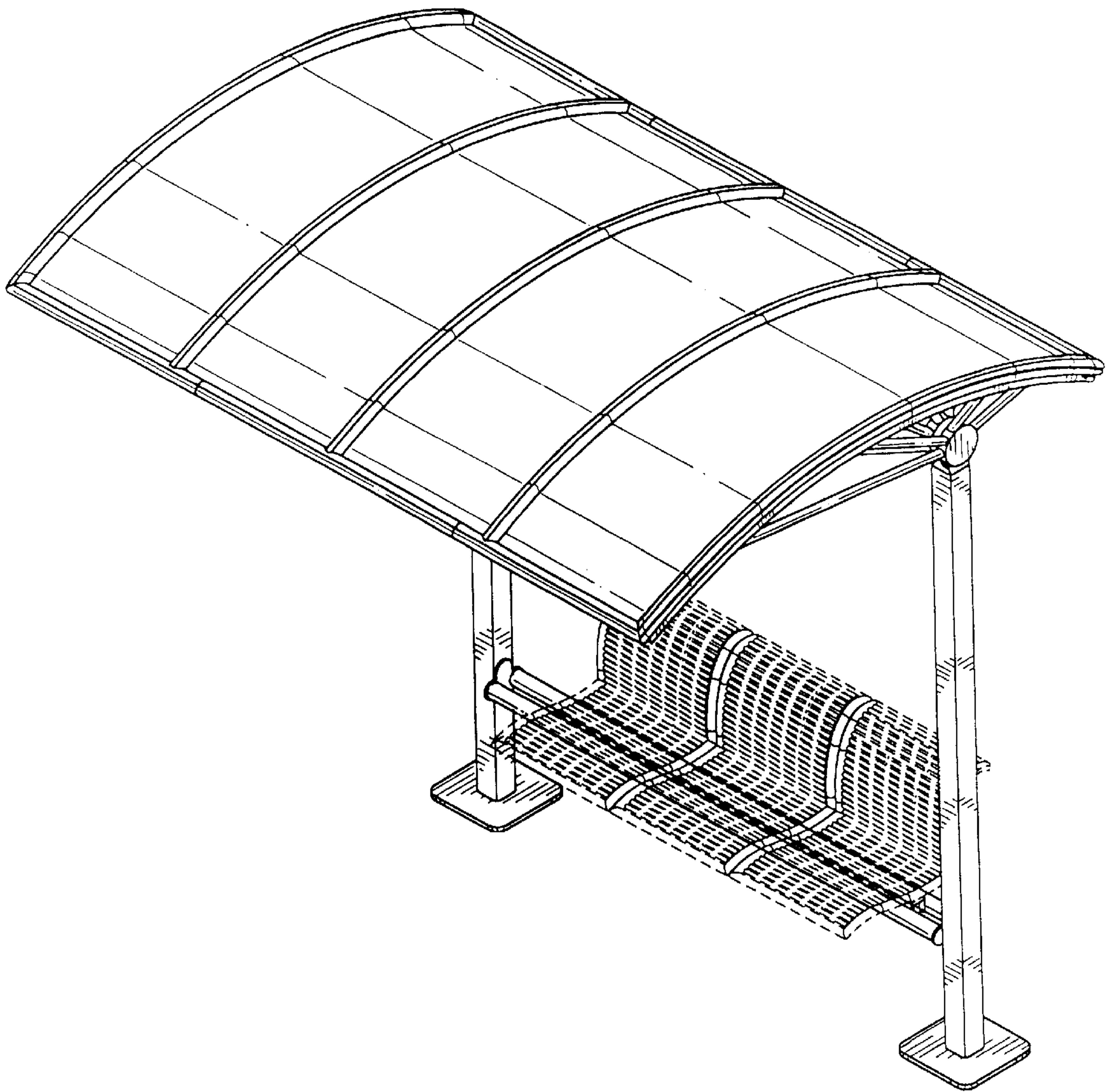


FIG. 2

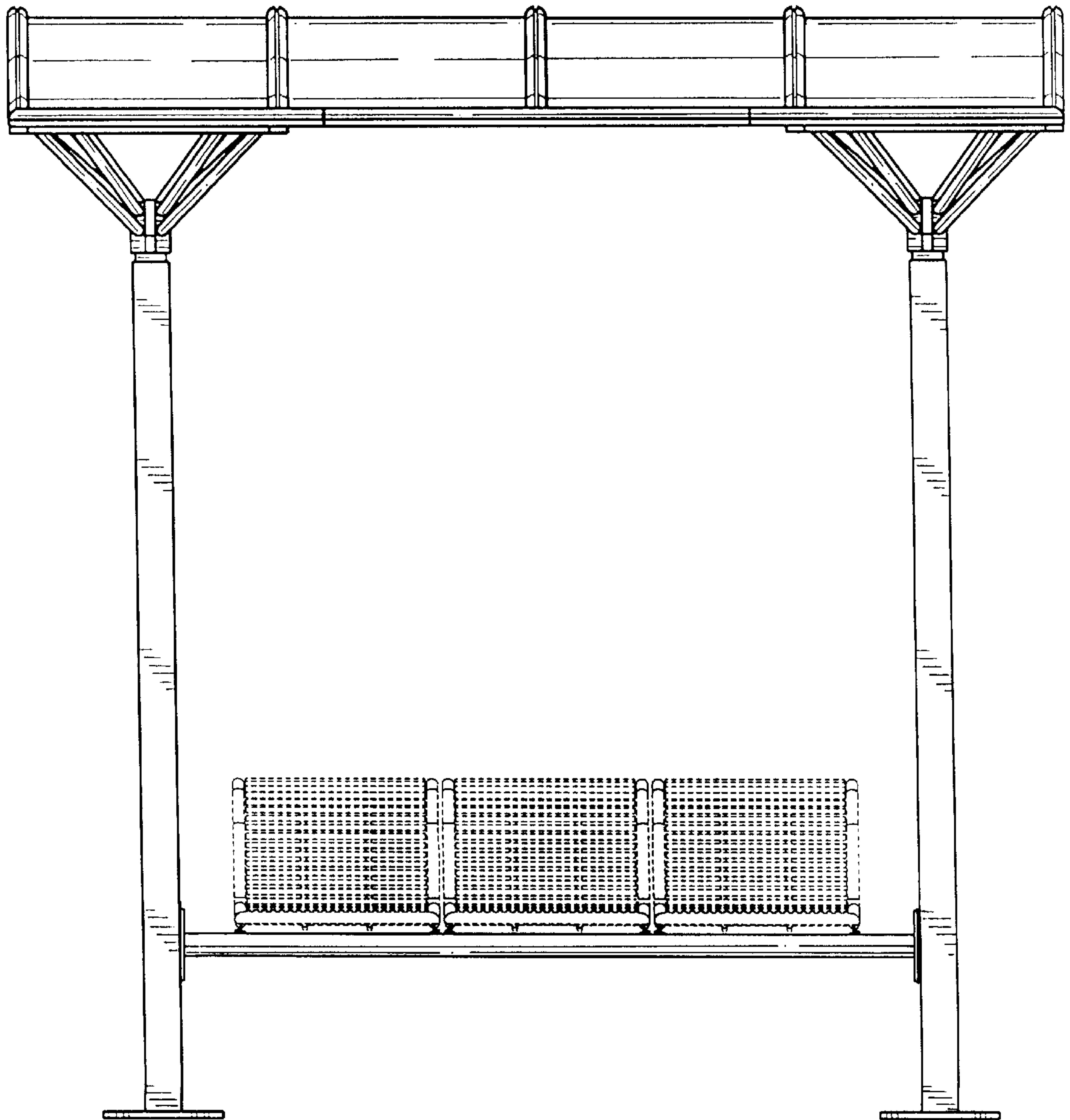


FIG. 3

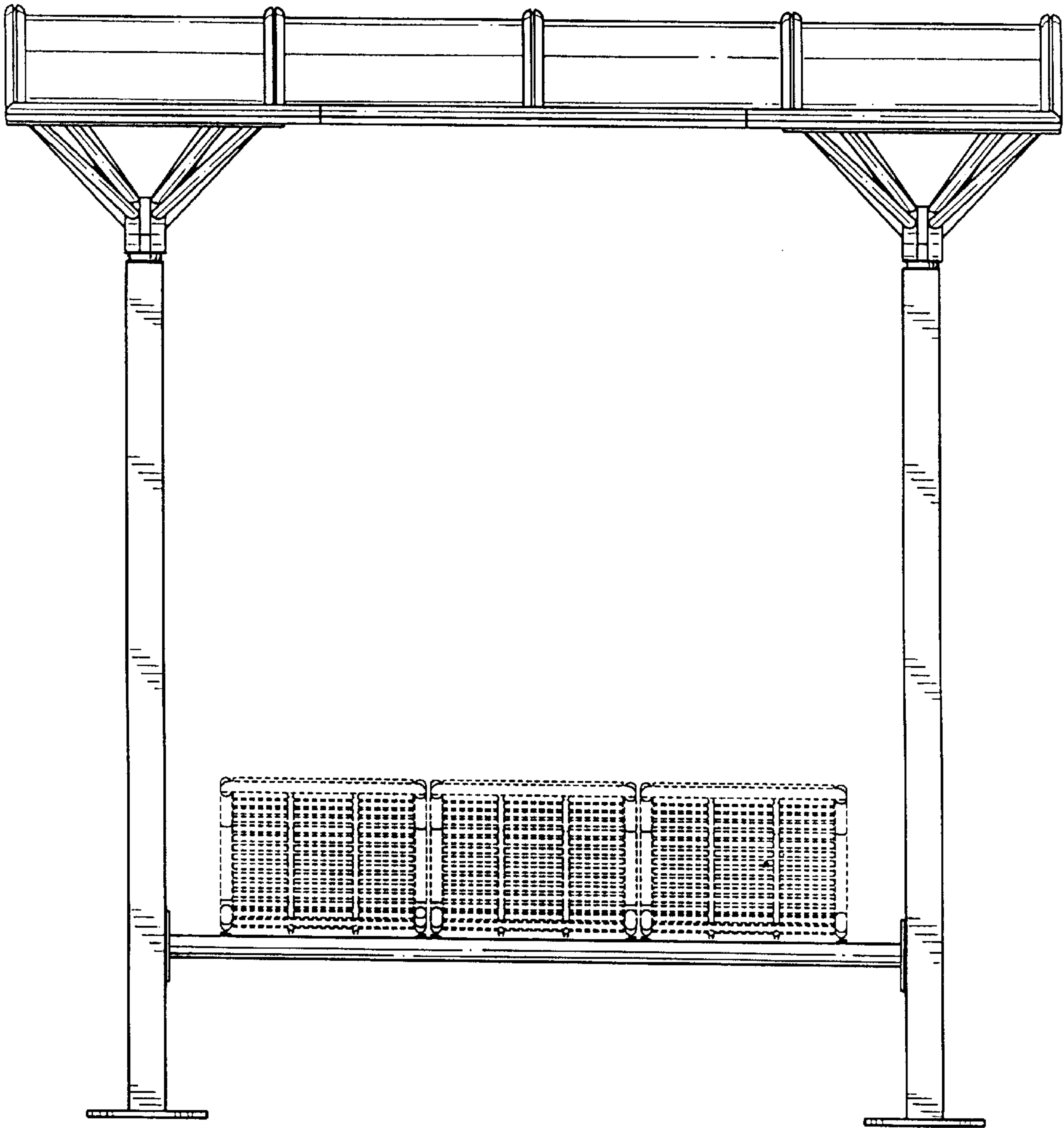
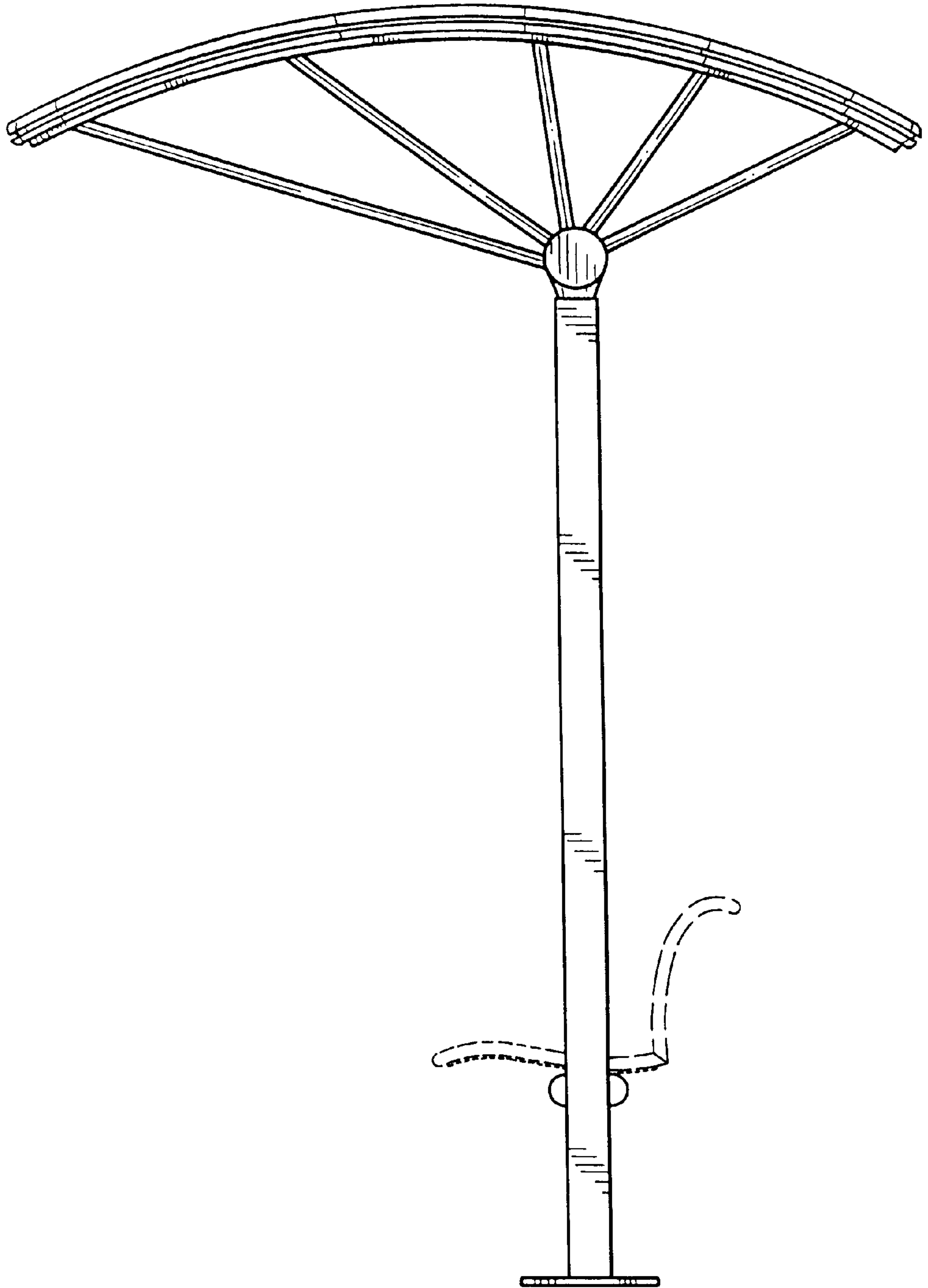


FIG. 4



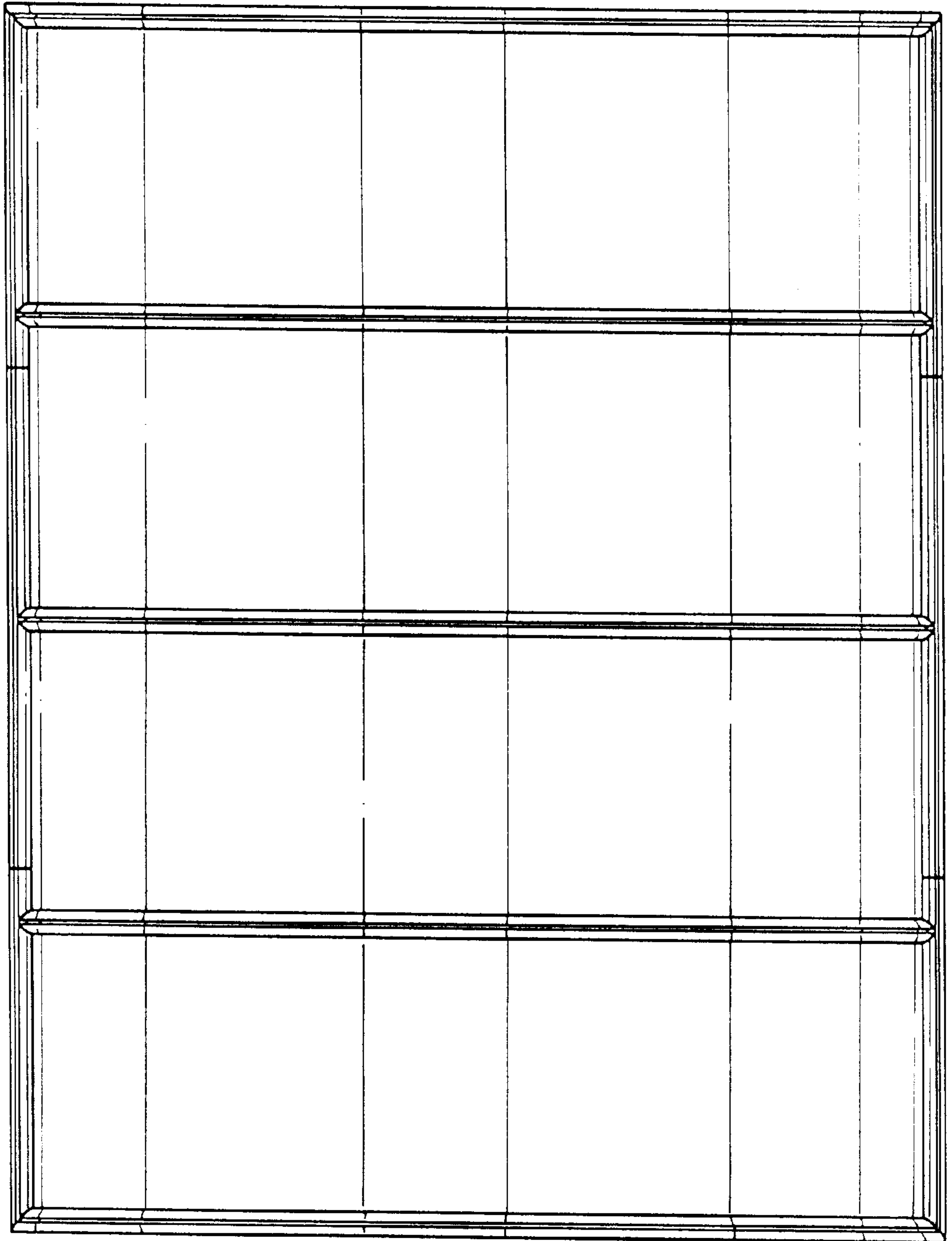


FIG. 5

FIG. 6

