



US00D420809S

United States Patent [19]
Greene, II

[11] **Patent Number: Des. 420,809**

[45] **Date of Patent: ** Feb. 22, 2000**

[54] **PICTURE FRAME**

[76] Inventor: **John M. Greene, II**, 739 Scallop Dr., Suite 43, Port Canaveral, Fla. 32920

[**] Term: **14 Years**

[21] Appl. No.: **29/096,444**

[22] Filed: **Nov. 13, 1998**

[51] **LOC (7) Cl.** **06-07**

[52] **U.S. Cl.** **D6/303**

[58] **Field of Search** D6/300-314; D20/29, D20/23-25; D11/133; 40/700, 711, 714-716, 721, 722, 724, 733-735, 738, 765, 790, 798, 800

[56] **References Cited**

U.S. PATENT DOCUMENTS

D. 236,200 8/1975 Summers D6/303
2,814,895 12/1957 Flam 40/800

OTHER PUBLICATIONS

Chris Craft Marine Accessories, back cover, #200 at top left. Exposures, Mother's Day 1990, p.4 #H at lower right.

Primary Examiner—Janice E. Seeger

Attorney, Agent, or Firm—William M. Hobby, III

[57] **CLAIM**

The ornamental design for a picture frame, as shown and described.

DESCRIPTION

FIG. 1 is a front and bottom side perspective view of my new picture frame;

FIG. 2 is a rear and bottom side perspective view;

FIG. 3 is a bottom side elevation;

FIG. 4 is a top side elevation;

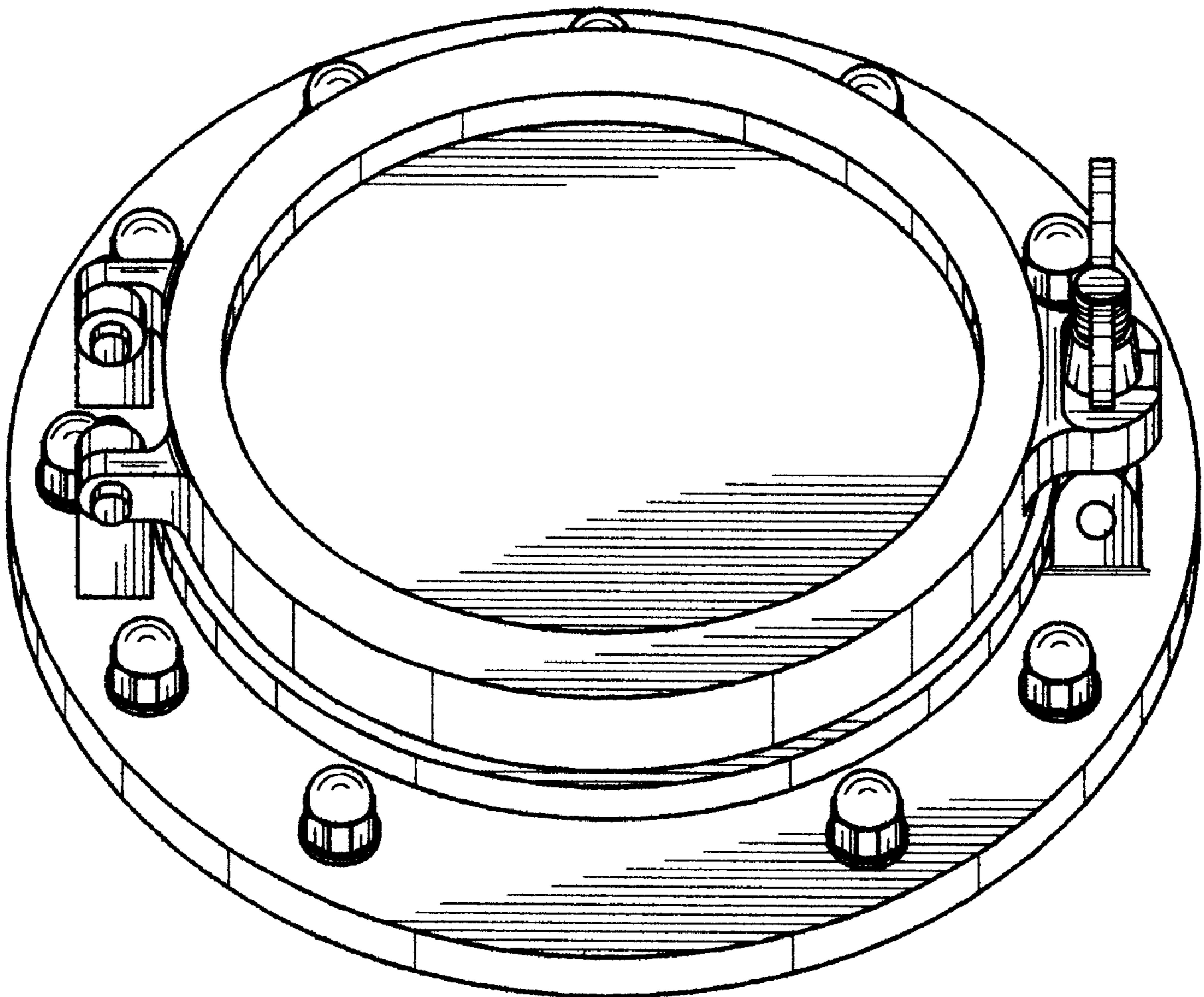
FIG. 5 is a right side elevation;

FIG. 6 is a left side elevation;

FIG. 7 is a front plan view; and,

FIG. 8 is a rear plan view.

1 Claim, 2 Drawing Sheets



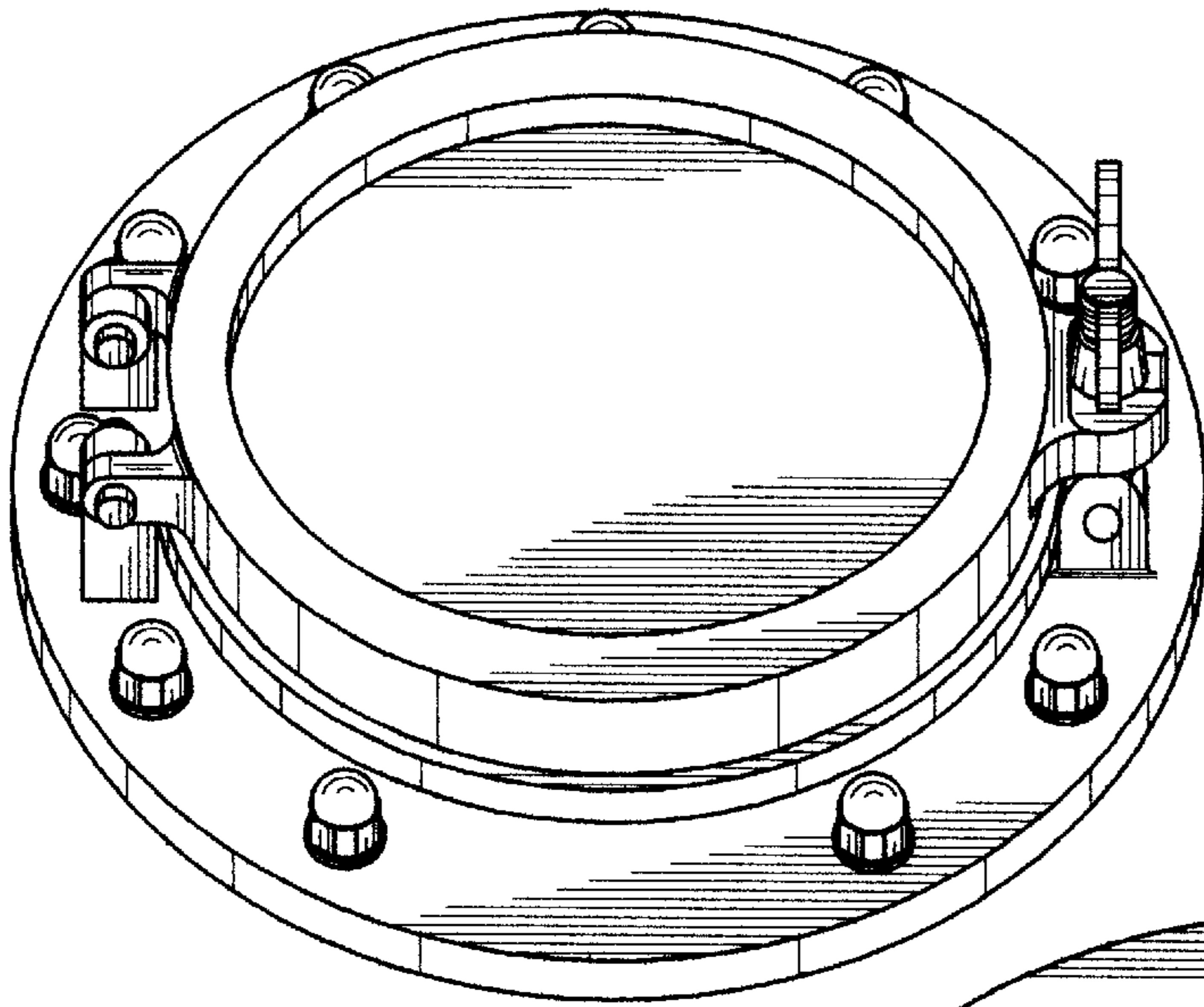


FIG. 1

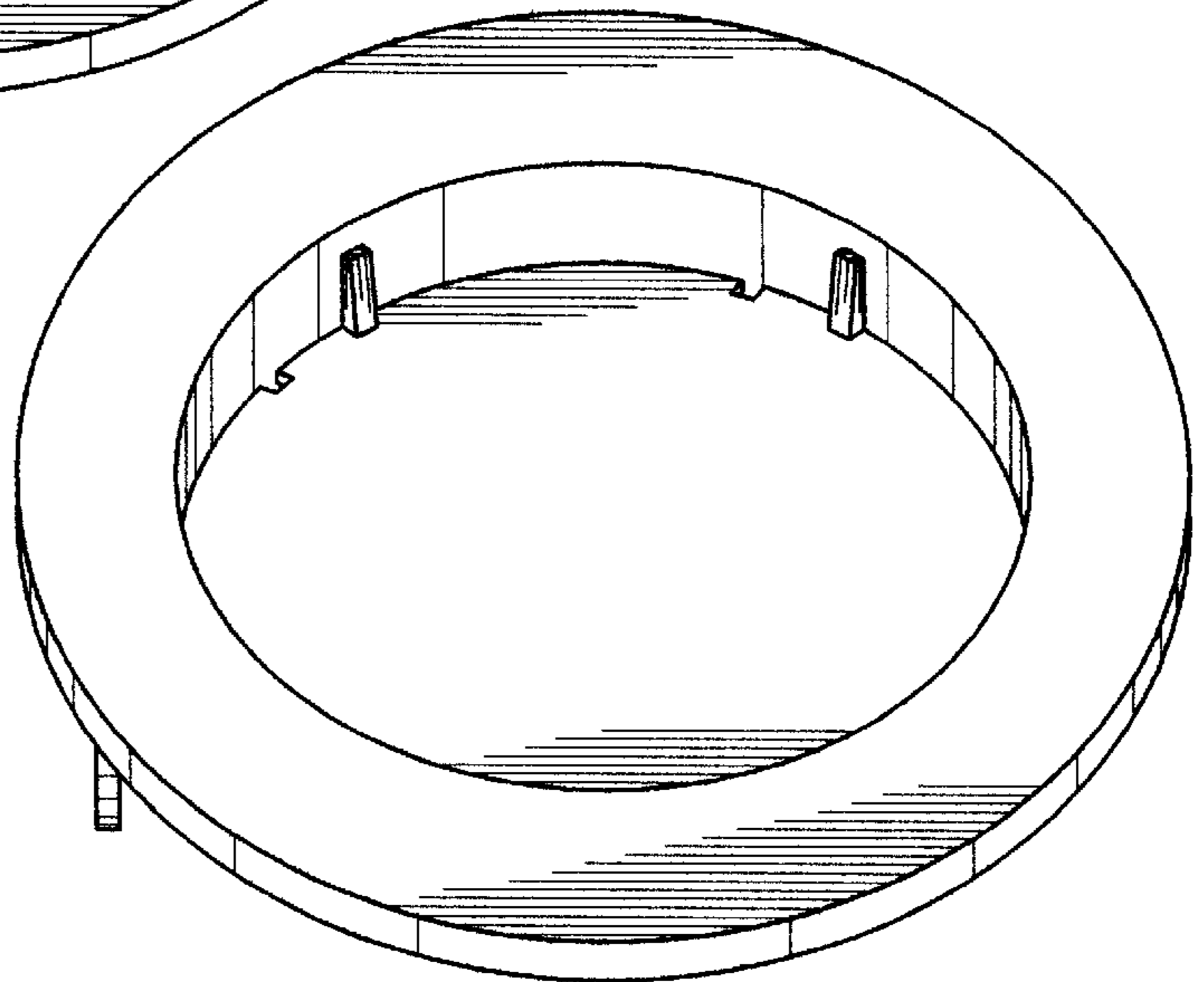


FIG. 2

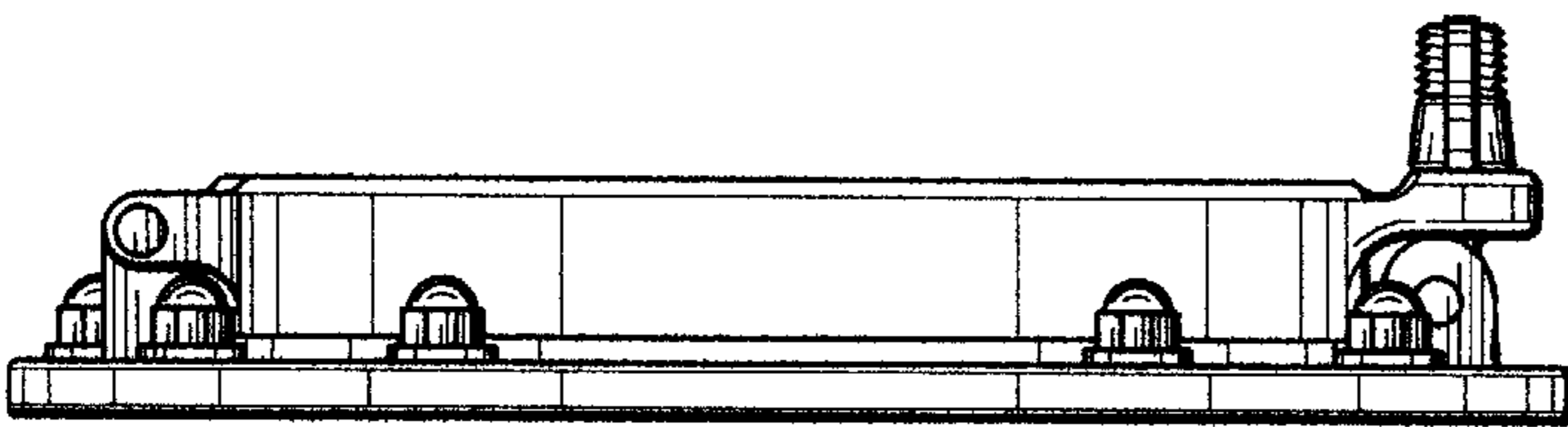


FIG. 3

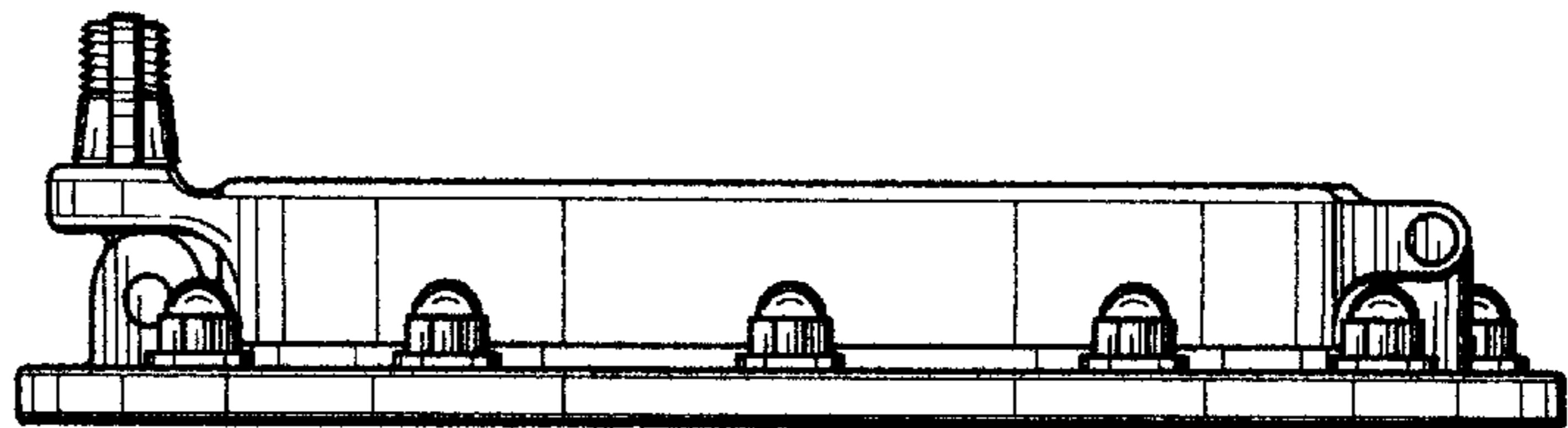


FIG. 4

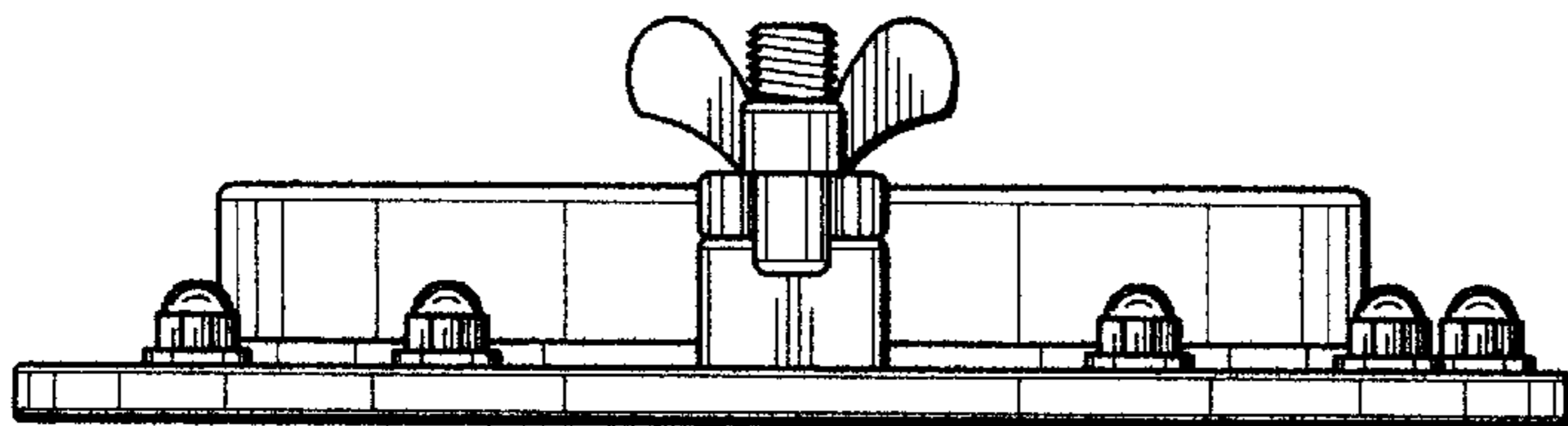


FIG. 5

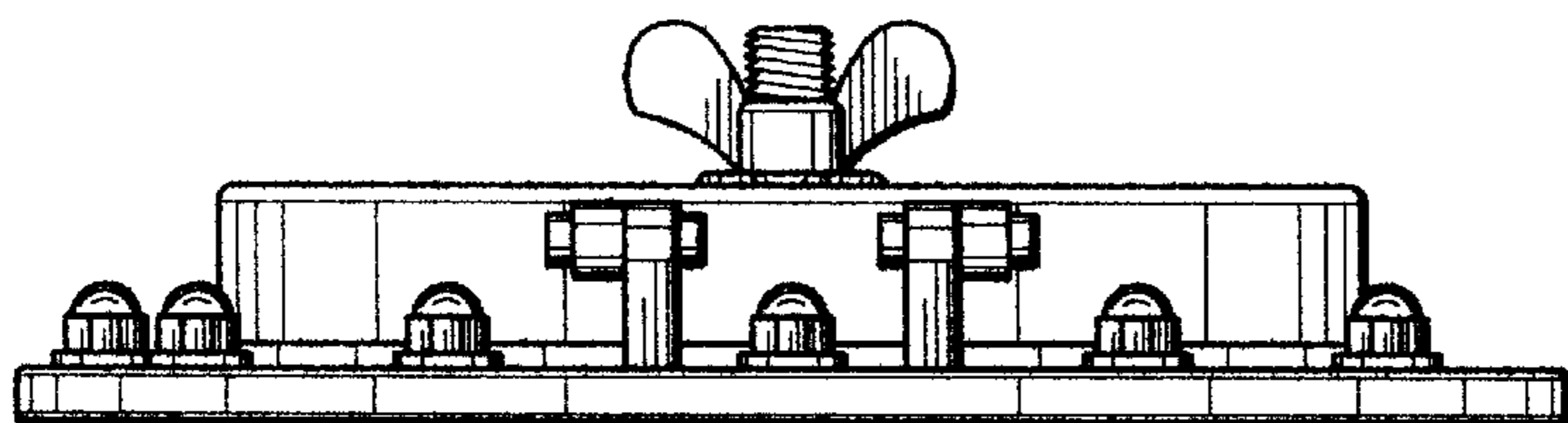


FIG. 6

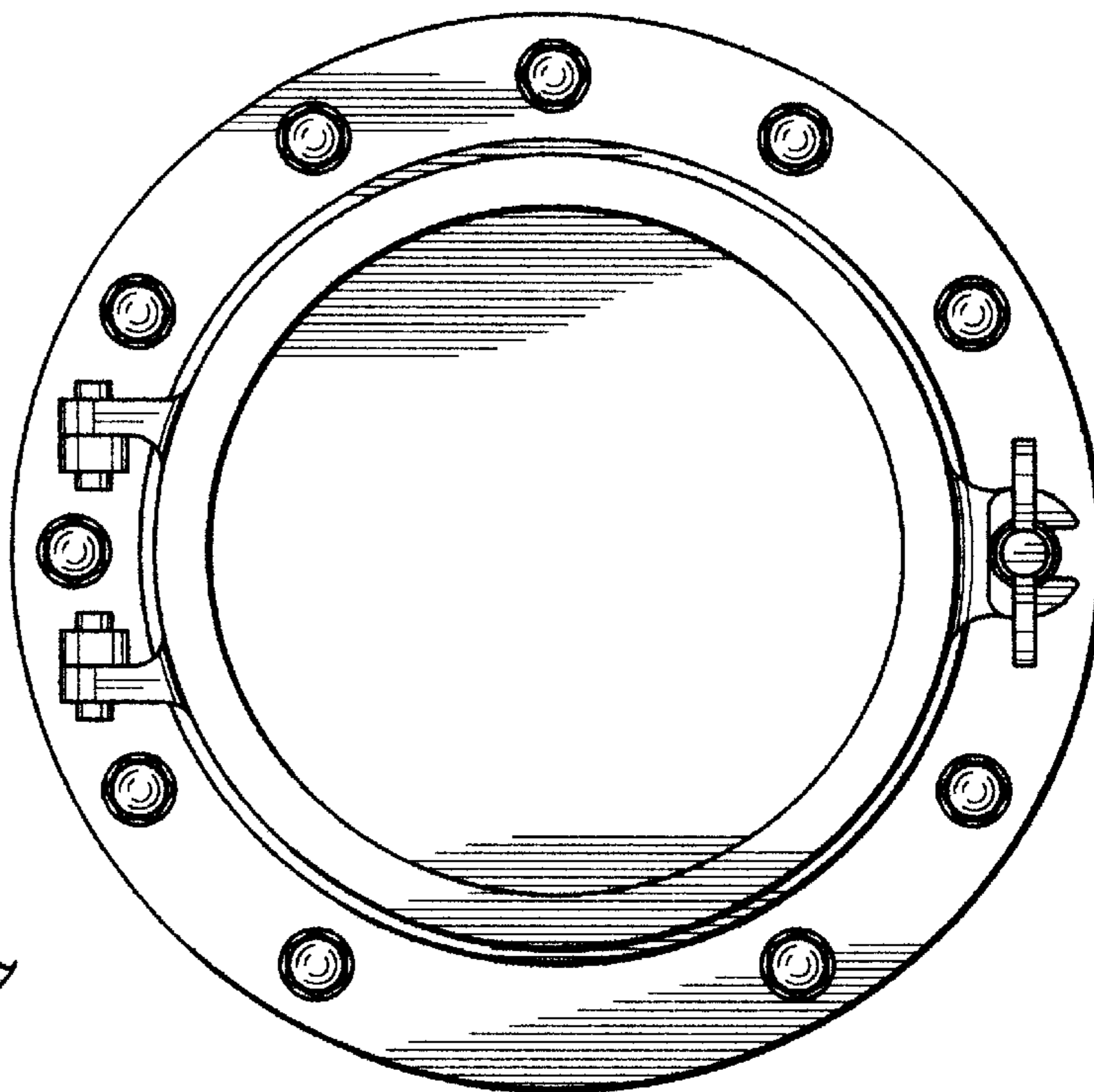


FIG. 7

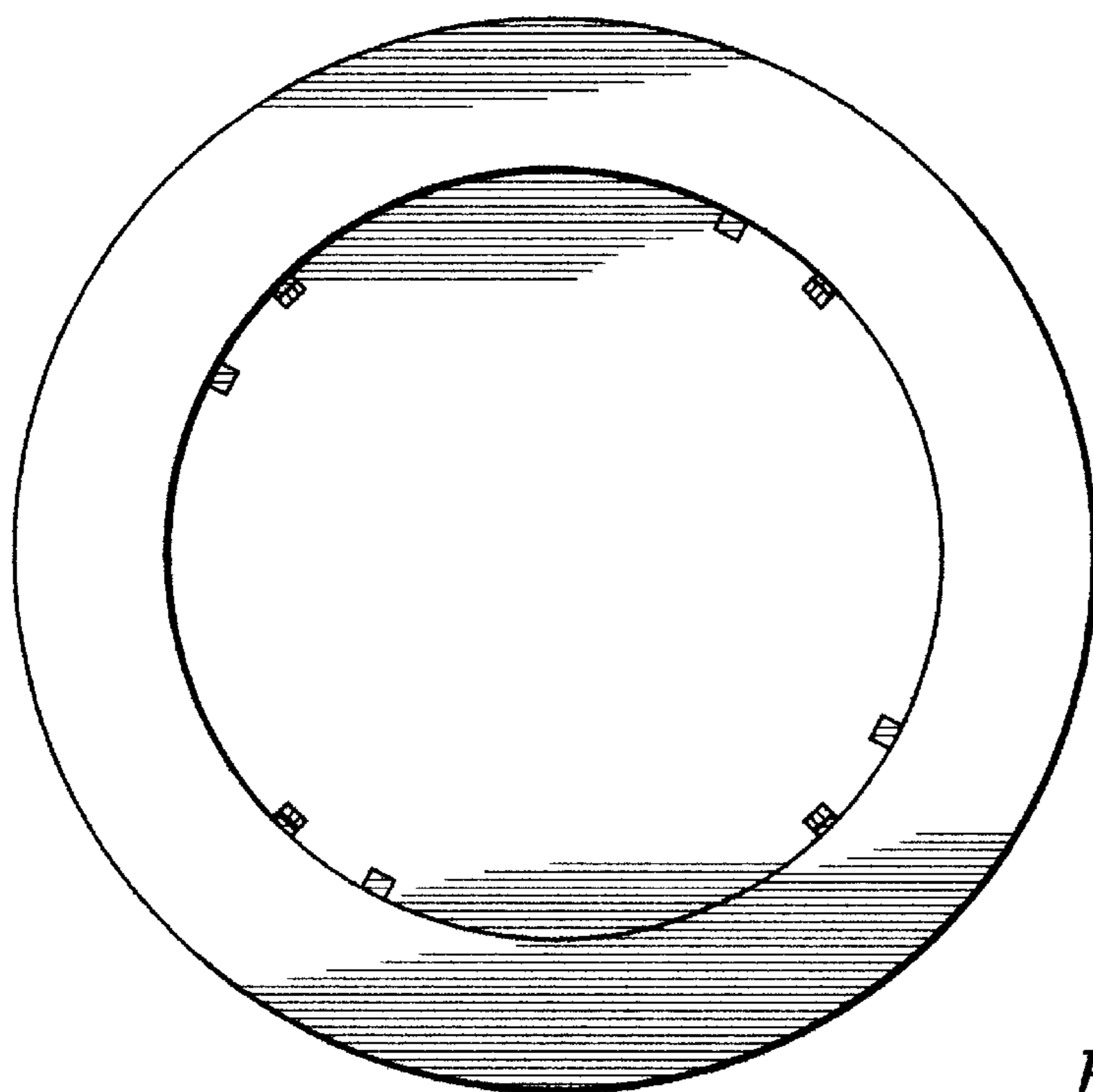


FIG. 8