



US00D420800S

# United States Patent [19]

[11] Patent Number: **Des. 420,800**

Hicks et al.

[45] Date of Patent: **\*\* Feb. 22, 2000**

[54] **CLIP**

[75] Inventors: **Bryan K. Hicks; Brandon Robert Mackay**, both of Salt Lake City;  
**Anthony Todd Hagen**, West Valley City, all of Utah

[73] Assignee: **Snugz USA**, Salt Lake City, Utah

[\*\*] Term: **14 Years**

[21] Appl. No.: **29/105,855**

[22] Filed: **Jun. 4, 1999**

[51] **LOC (7) Cl.** ..... **03-99**

[52] **U.S. Cl.** ..... **D3/318**

[58] **Field of Search** ..... D3/318, 328; 24/3.13, 24/499-500, 508, 511, 265 EC, 265 H, DIG. 22, 336, 588, 628, 639; 294/26, 149

[56] **References Cited**

**U.S. PATENT DOCUMENTS**

658,124	9/1900	Semple .	
751,090	2/1904	Marold .	
2,585,089	2/1952	Caldwell et al. ....	24/DIG. 22
4,387,490	6/1983	Blackburn et al. ....	24/200
4,441,677	4/1984	Byerly .....	248/74.3
4,586,499	5/1986	Kaletzky .....	128/171
4,662,039	5/1987	Richardson .....	24/489
4,692,970	9/1987	Anthony et al. ....	24/642
4,795,069	1/1989	Ferrill .....	224/202
5,027,477	7/1991	Seron .....	24/3 B
5,121,865	6/1992	Howard .....	224/253
5,127,137	7/1992	Krauss .....	24/265 R
5,136,756	8/1992	Krauss .....	24/265 H
5,274,887	1/1994	Fudaki .....	24/265 H
5,301,393	4/1994	Brown .....	24/67.7
5,318,292	6/1994	De Marco .....	24/3.11
5,363,538	11/1994	Arrendiell et al. ....	24/499

5,365,642	11/1994	Rekuc et al. ....	24/600.9
5,388,313	2/1995	Cameron .....	24/265 EC
5,414,903	5/1995	Porteous .....	24/9
5,475,901	12/1995	Anscher .....	24/265 H
5,561,891	10/1996	Hsieh .....	24/573.1
5,582,237	12/1996	McPherson et al. ....	224/660
5,669,119	9/1997	Seron .....	24/265 H
5,689,860	11/1997	Matoba et al. ....	24/115 F
5,842,256	12/1998	Anscher .....	24/3.4
5,890,638	4/1999	Woloshen .....	24/3.1

**FOREIGN PATENT DOCUMENTS**

3837261	5/1990	Germany .....	24/265 EC
704444	2/1954	United Kingdom .....	24/508

**OTHER PUBLICATIONS**

Snugz USA Products Catalog, effective Jan. 1997.

*Primary Examiner*—Louis S. Zarfaz  
*Assistant Examiner*—Robert A. Delehanty  
*Attorney, Agent, or Firm*—Workman, Hydegger & Seeley; David B. Dellenbach

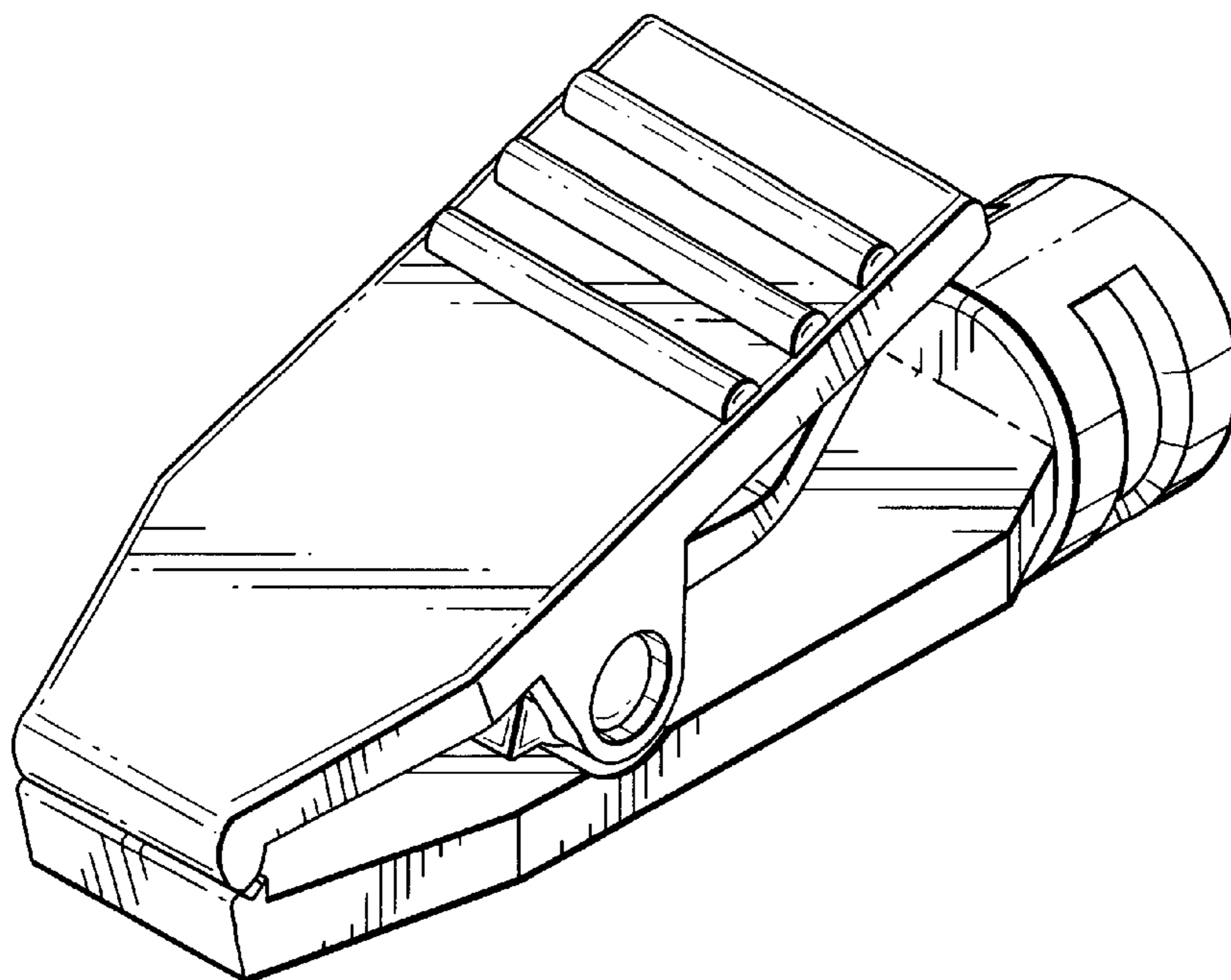
[57] **CLAIM**

The ornamental design for a clip, as shown and described.

**DESCRIPTION**

FIG. 1 is a perspective view of the clip of the present invention.  
FIG. 2 is a top plan view of the clip of the present invention.  
FIG. 3 is a bottom plan view of the clip of the present invention.  
FIG. 4 is a front end view of the clip of the present invention.  
FIG. 5 is a rear end view of the clip of the present invention; and,  
FIG. 6 is a side view of the clip of the present invention, the opposing side view being a mirror image thereof.

**1 Claim, 1 Drawing Sheet**



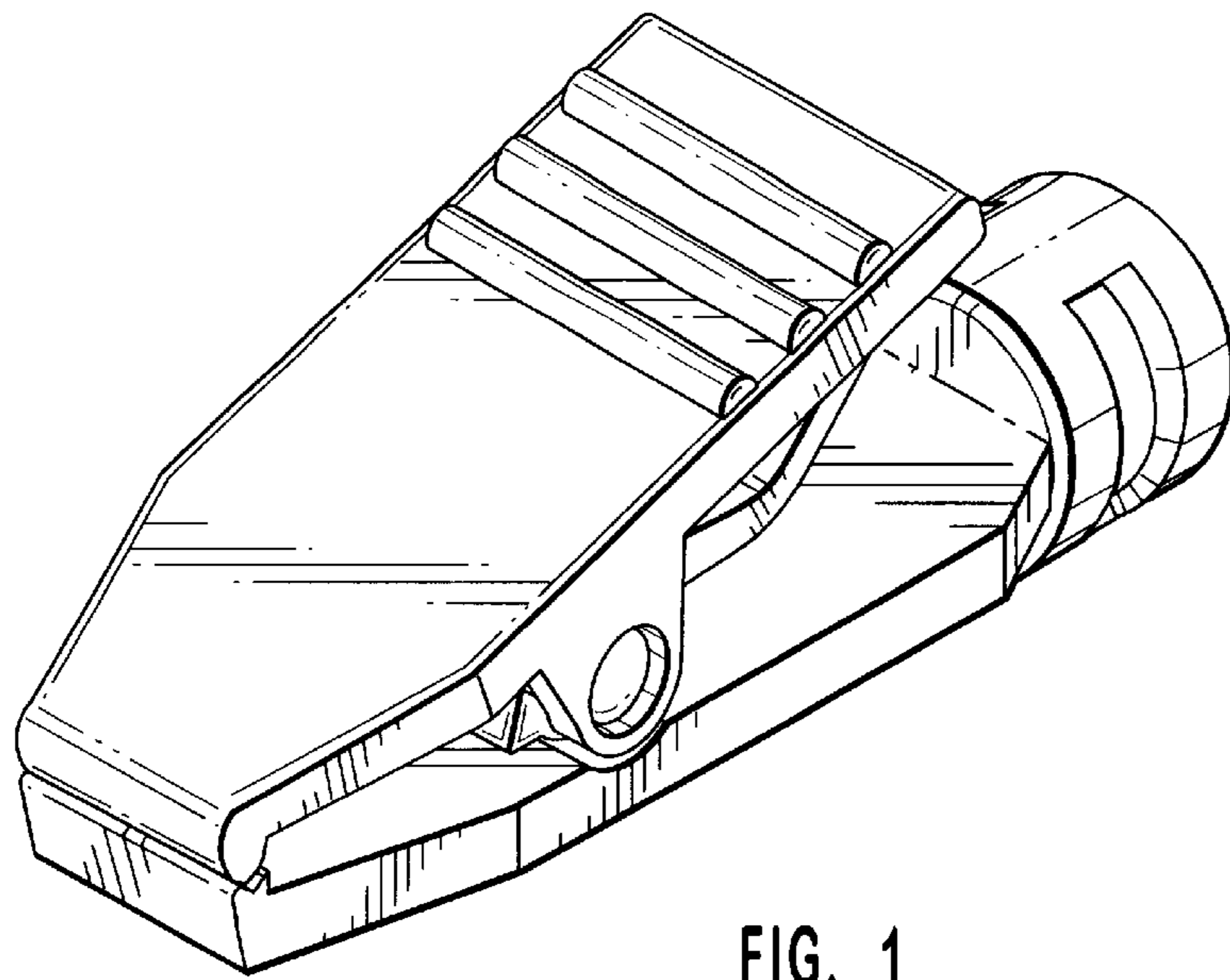


FIG. 1

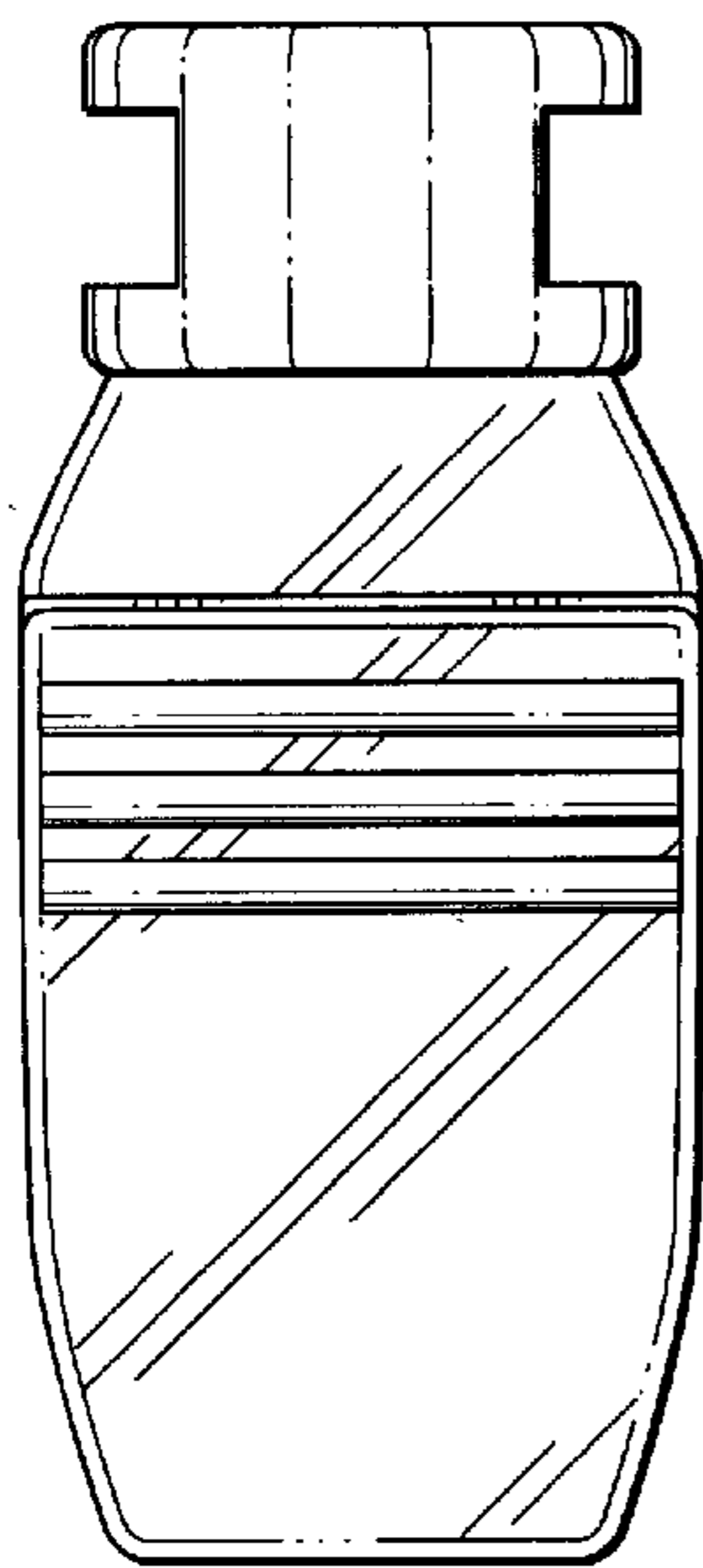


FIG. 2

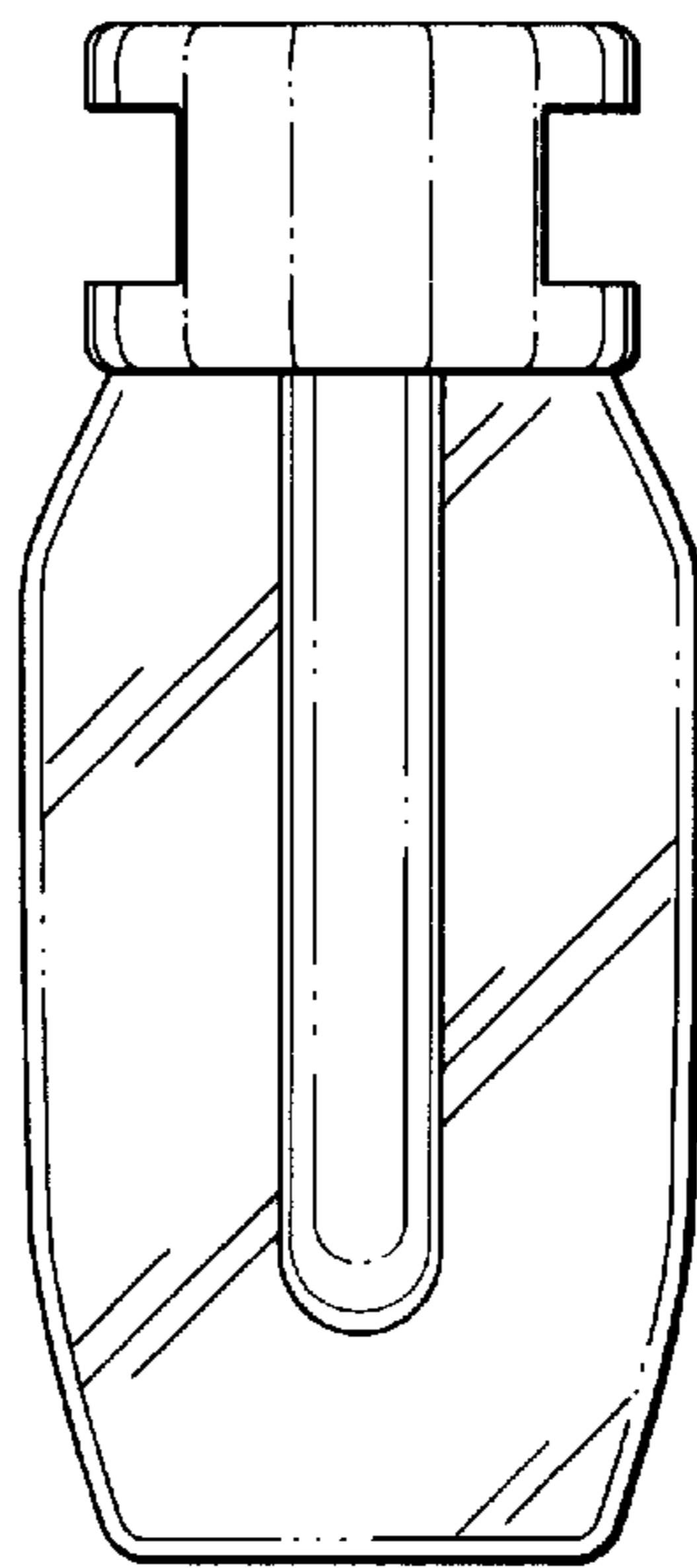


FIG. 3

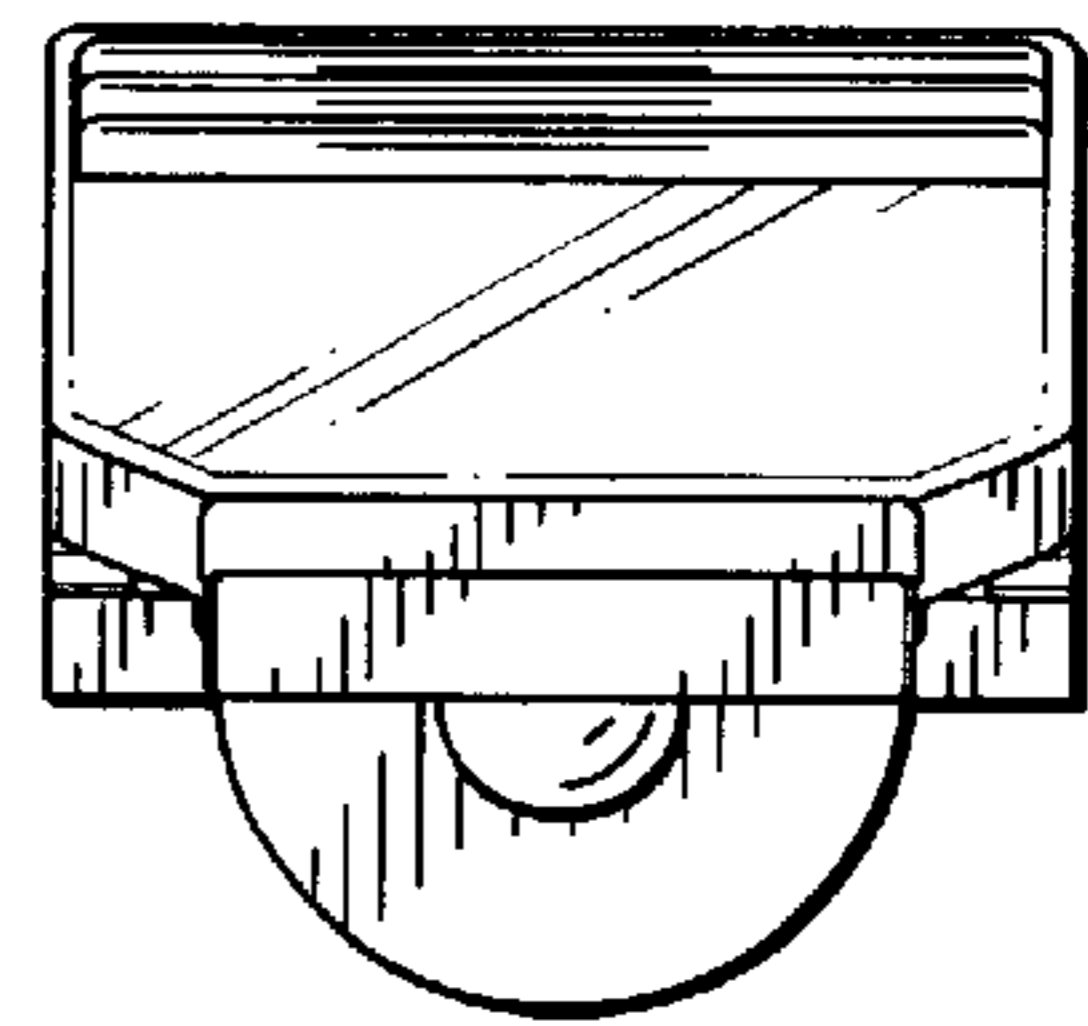


FIG. 4

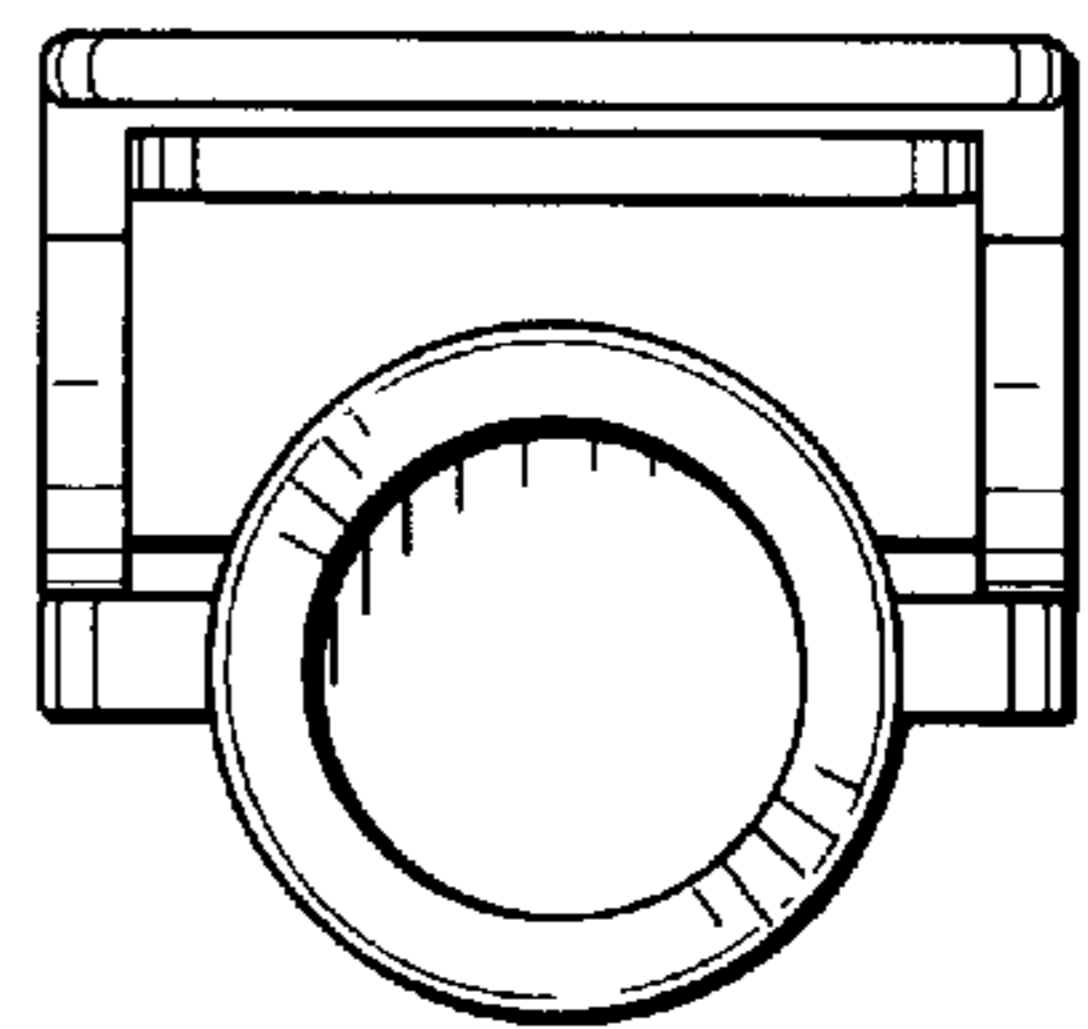


FIG. 5

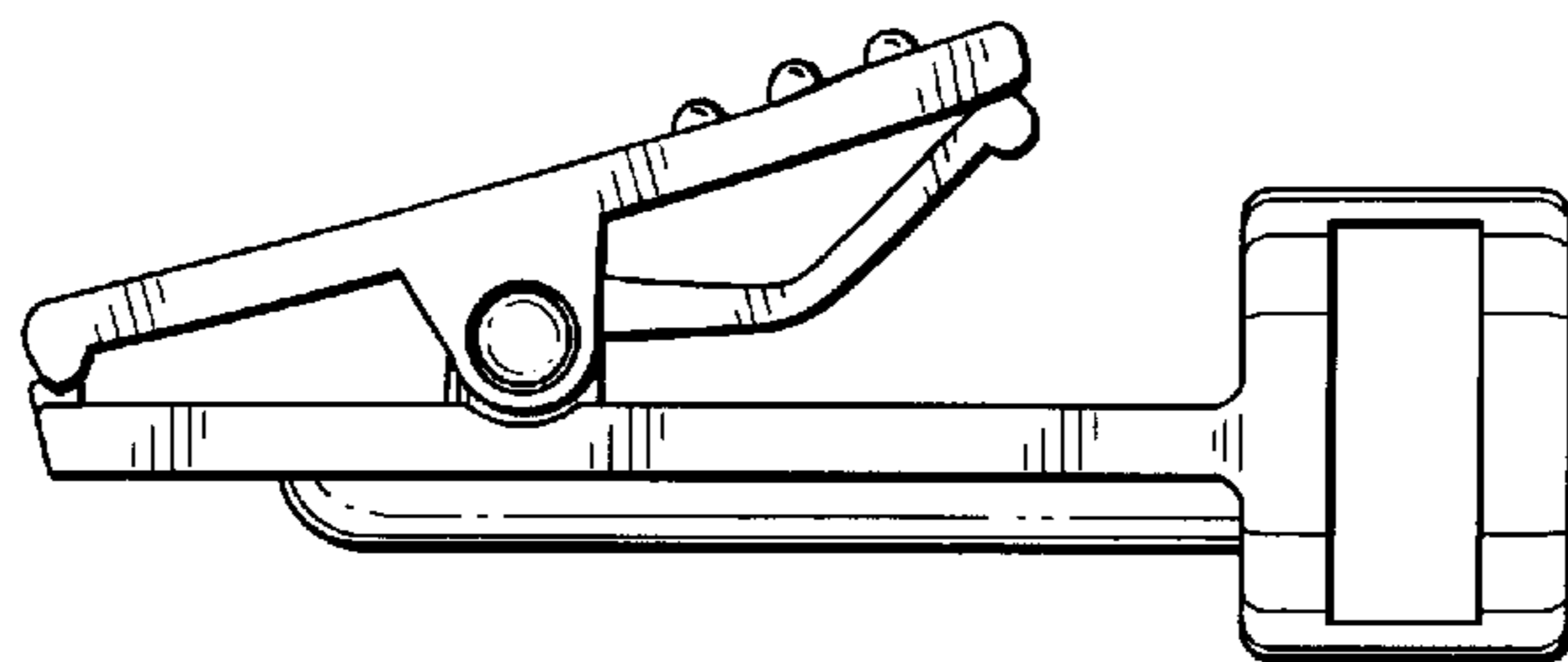


FIG. 6