



US00D420798S

United States Patent [19]

Belokin et al.

[11] Patent Number: **Des. 420,798**

[45] Date of Patent: **** Feb. 22, 2000**

[54] **DISPLAY TRAY**

[76] Inventors: **Paul Belokin; Martin P. Belokin**, both of 7801 I-35 North, Denton, Tex. 76202; **Norman P. Belokin**, 1606 Oak Ridge Dr., Corinth, Tex. 76205

[**] Term: **14 Years**

[21] Appl. No.: **29/084,442**

[22] Filed: **Mar. 2, 1998**

[51] **LOC (7) Cl.** **03-01**

[52] **U.S. Cl.** **D3/304; D3/201**

[58] **Field of Search** D3/301, 304; D11/143, D11/155, 144, 148; 220/507, 657

[56] **References Cited**

U.S. PATENT DOCUMENTS

- D. 275,918 10/1984 Taylor D3/304 X
- D. 310,748 9/1990 Embree et al. D3/304
- D. 357,219 4/1995 Ferris D11/143 X

- D. 387,981 12/1997 Mosior et al. D3/304 X
- 3,344,974 10/1967 Bostrom 220/657
- 4,373,642 2/1983 Wolters et al. 220/657
- 5,165,947 11/1992 Colucci et al. 220/507

Primary Examiner—Louis S. Zarfes
Assistant Examiner—Monica A. Weingart
Attorney, Agent, or Firm—Jack A. Kanz

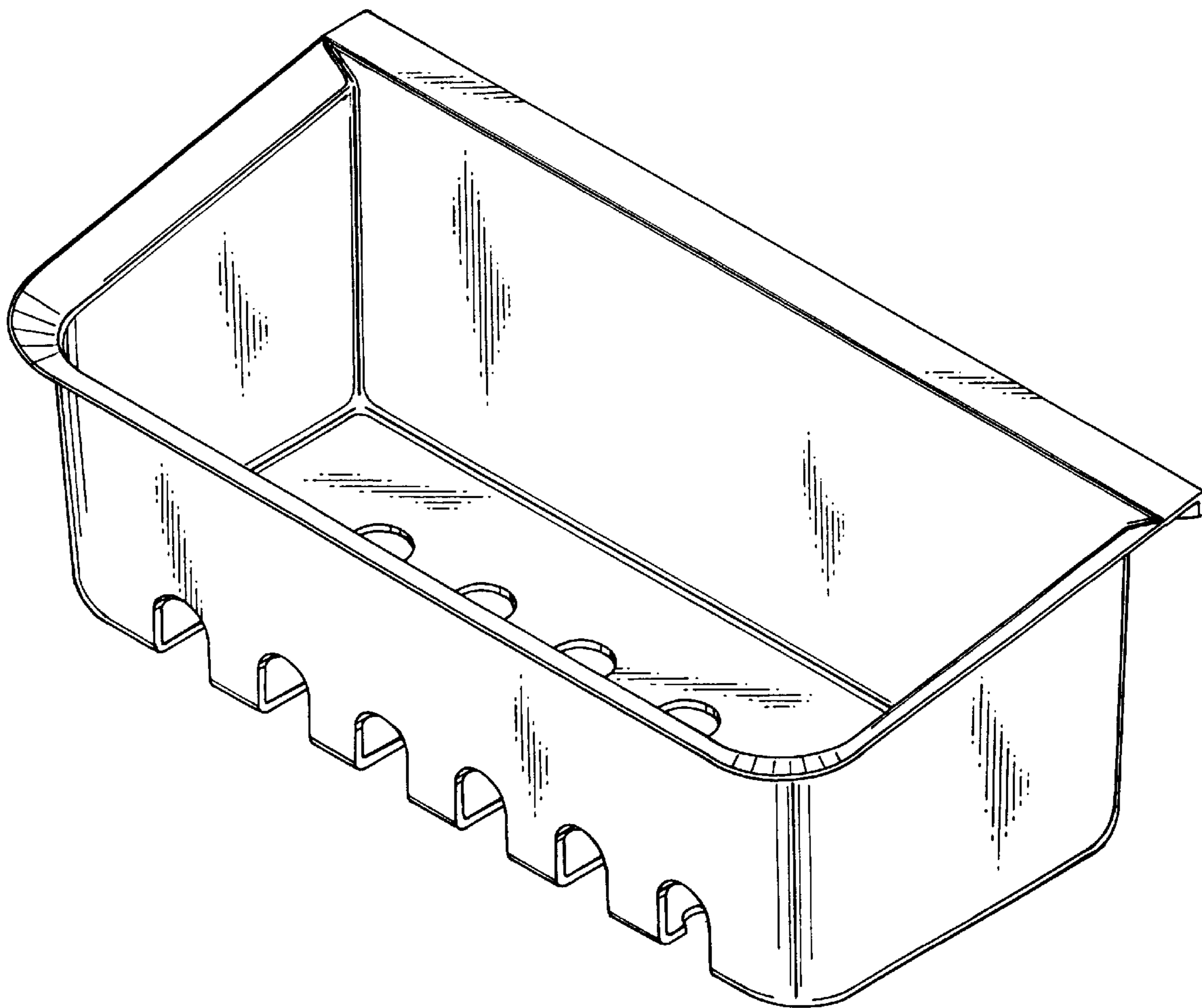
[57] **CLAIM**

The ornamental design disclosed for display tray.

DESCRIPTION

FIG. 1 is a front perspective view of a display tray showing our new design;
FIG. 2 is a front elevation view thereof;
FIG. 3 is a top plan view thereof;
FIG. 4 is a rear elevational view thereof;
FIG. 5 is a bottom plan view thereon; and,
FIG. 6 is a side elevational view thereof, the opposite side view being a mirror image of the view of FIG. 6.

1 Claim, 3 Drawing Sheets



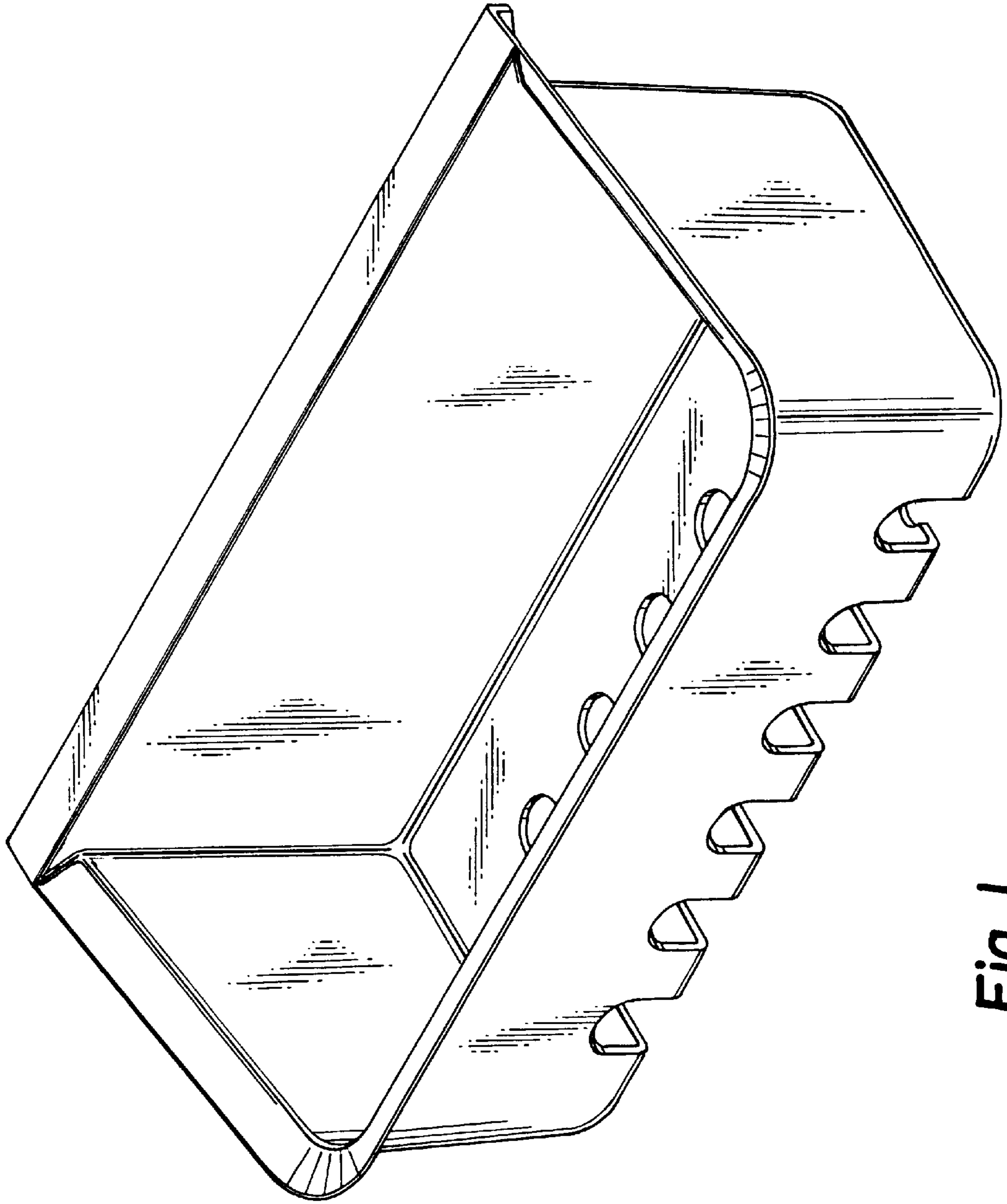


Fig. 1

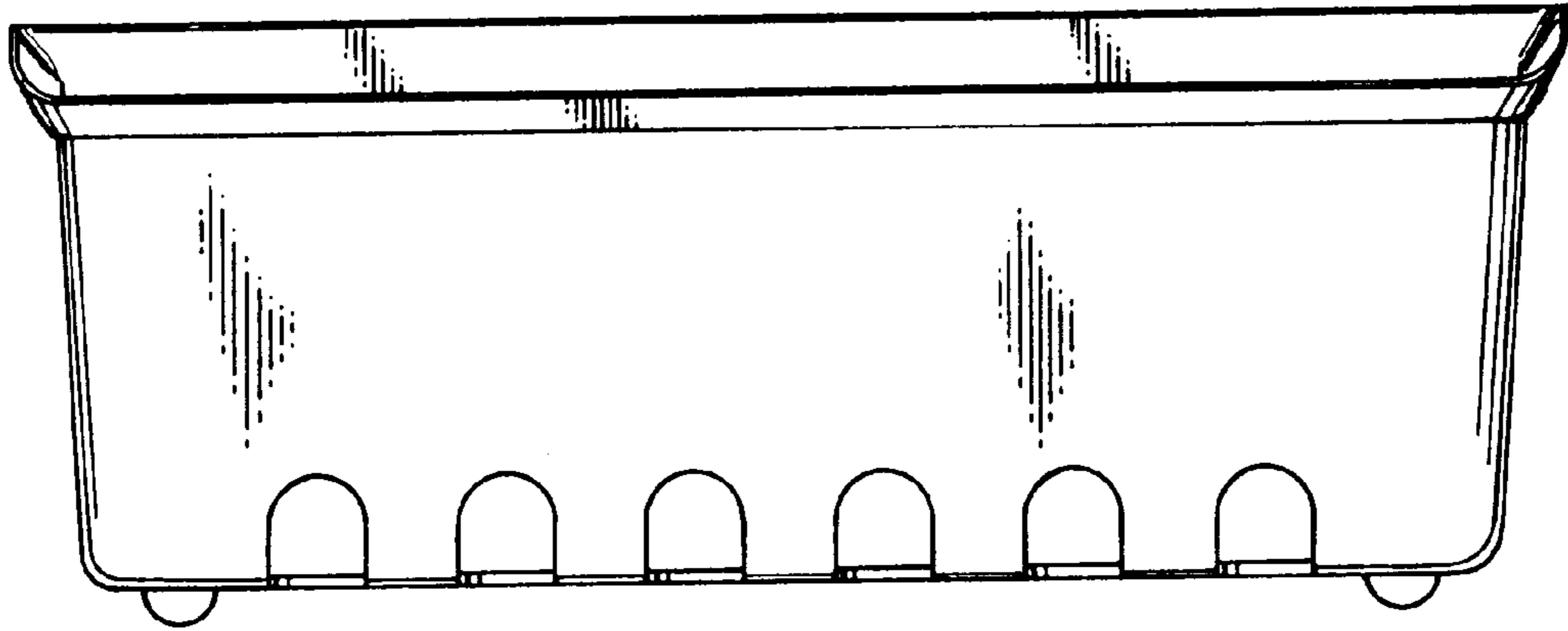


Fig. 2

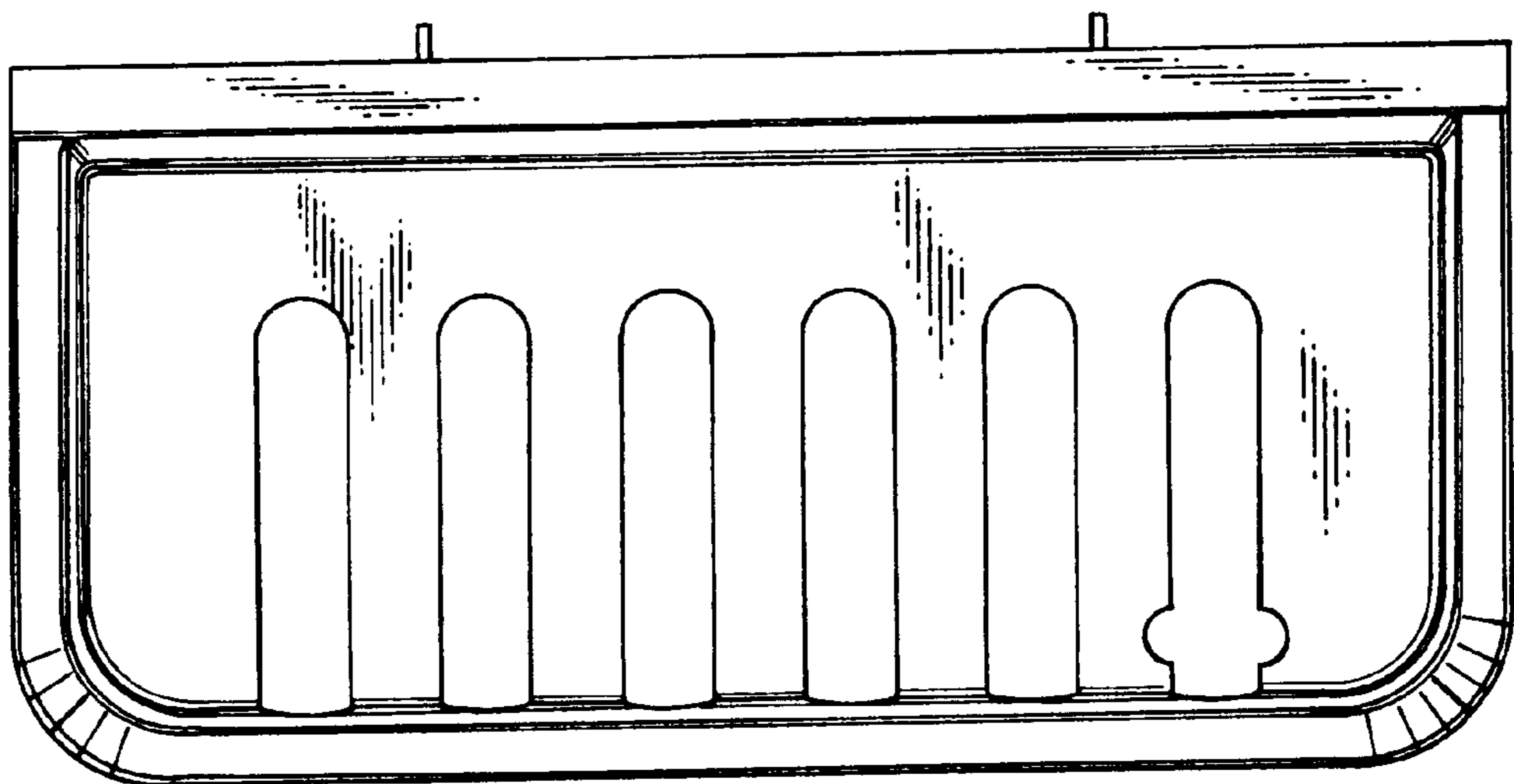


Fig. 3

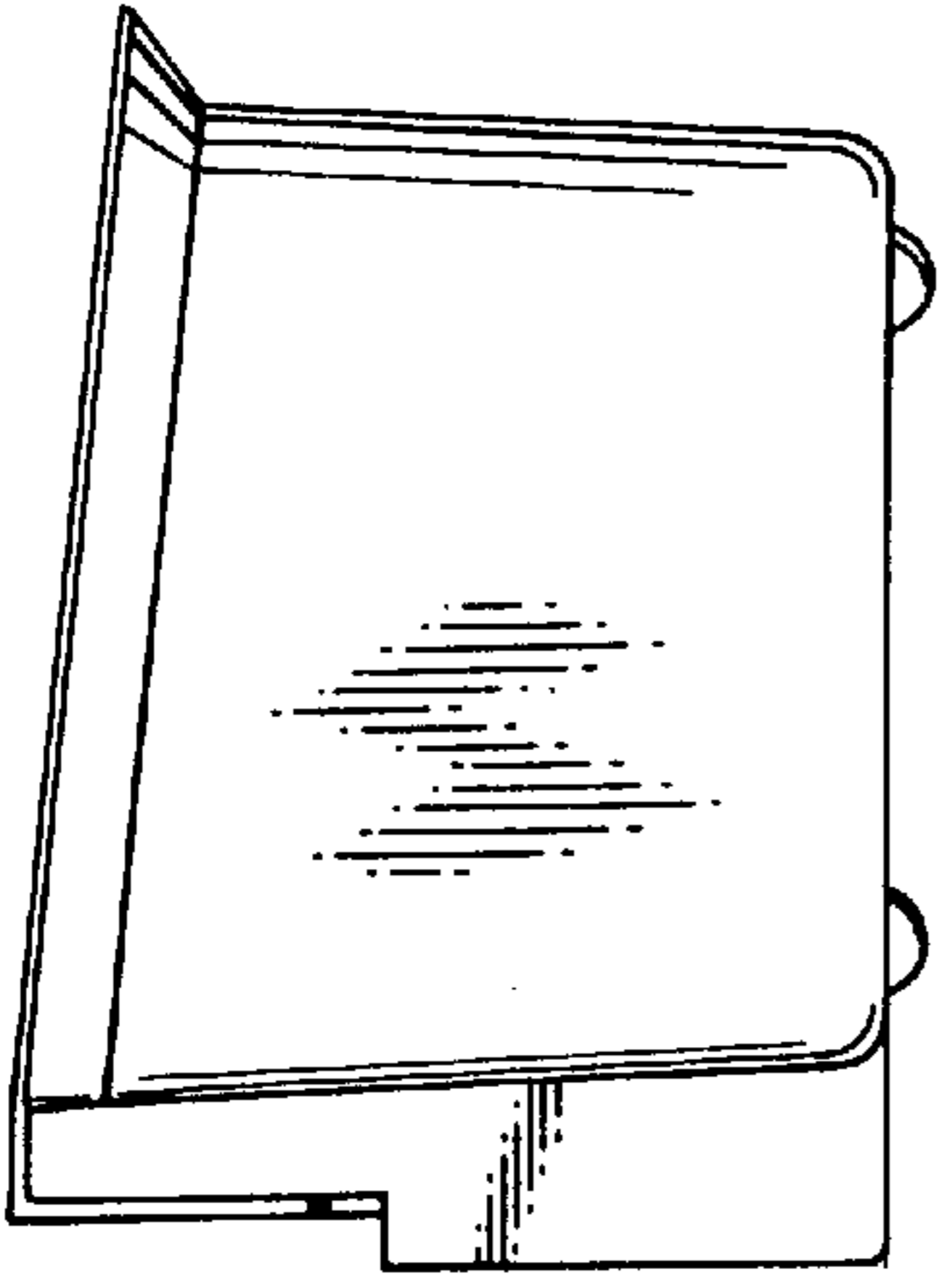


Fig. 6

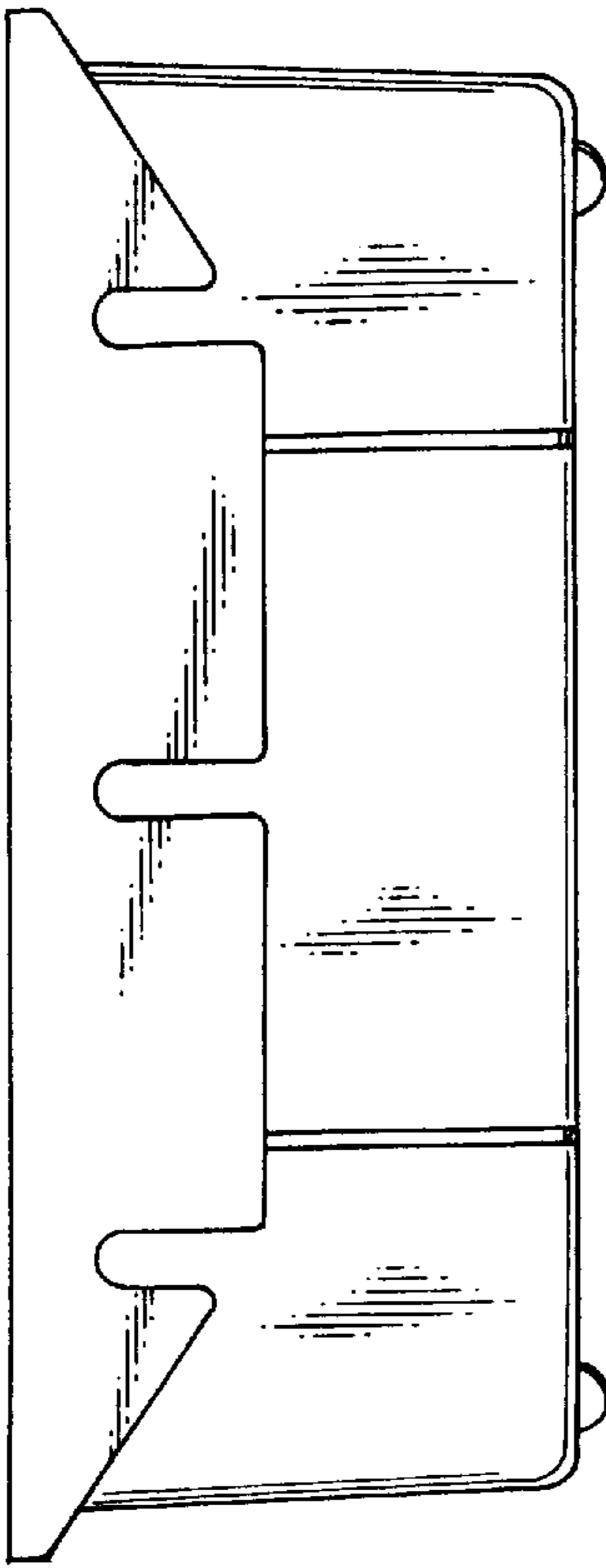


Fig. 4

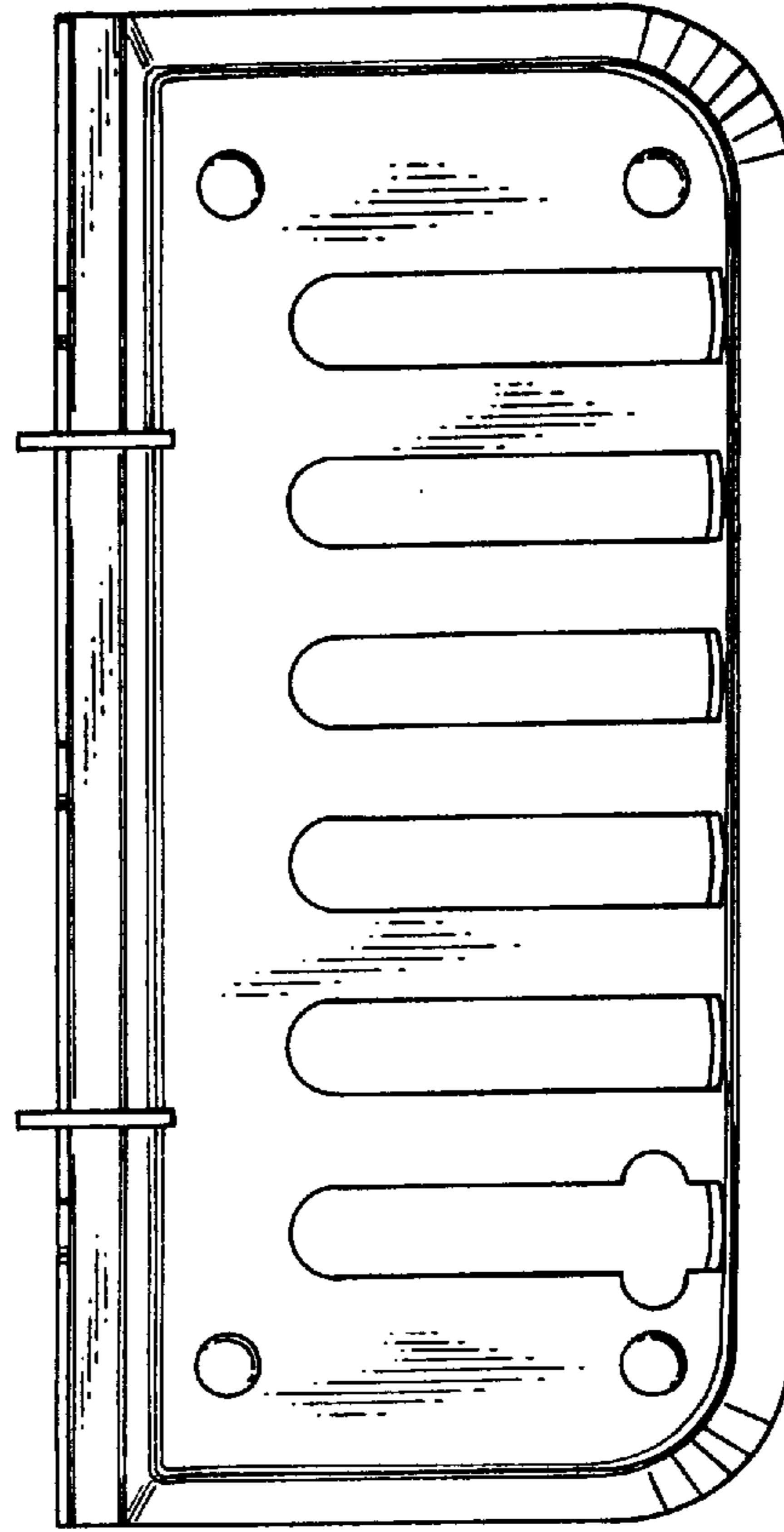


Fig. 5