



US00D420775S

United States Patent [19]

Petner

[11] Patent Number: **Des. 420,775**

[45] Date of Patent: **** Feb. 15, 2000**

[54] **BUTTERFLY SPONGE MOP WITH INTEGRAL MOLDED HEAD**

4,312,092 1/1982 Lundgren 15/119.2
5,488,750 2/1996 Vosbikian et al. 15/119.2

[75] Inventor: **Robert Petner**, Burlington, N.J.

Primary Examiner—Susan J. Lucas
Assistant Examiner—Cynthia E Ramirez
Attorney, Agent, or Firm—Stuart M. Goldstein, Esq.

[73] Assignee: **Quickie Manufacturing Corporation**,
Cinnaminson, N.J.

[57] **CLAIM**

[**] Term: **14 Years**

The ornamental design for a butterfly sponge mop with integral molded head, as shown and described.

[21] Appl. No.: **29/081,736**

DESCRIPTION

[22] Filed: **Jan. 8, 1998**

FIG. 1 is an isometric view of the butterfly sponge mop design.

[51] **LOC (7) Cl.** **04-01**

FIG. 2 is a top view of the head of the butterfly sponge mop design.

[52] **U.S. Cl.** **D32/51**

FIG. 3 is a side view of the head of the butterfly sponge mop design.

[58] **Field of Search** D32/44, 40, 50,
D32/51, 49; 15/119.2, 115, 116.1, 116.2,
246

FIG. 4 is a front view of the head of the butterfly sponge mop design.

[56] **References Cited**

U.S. PATENT DOCUMENTS

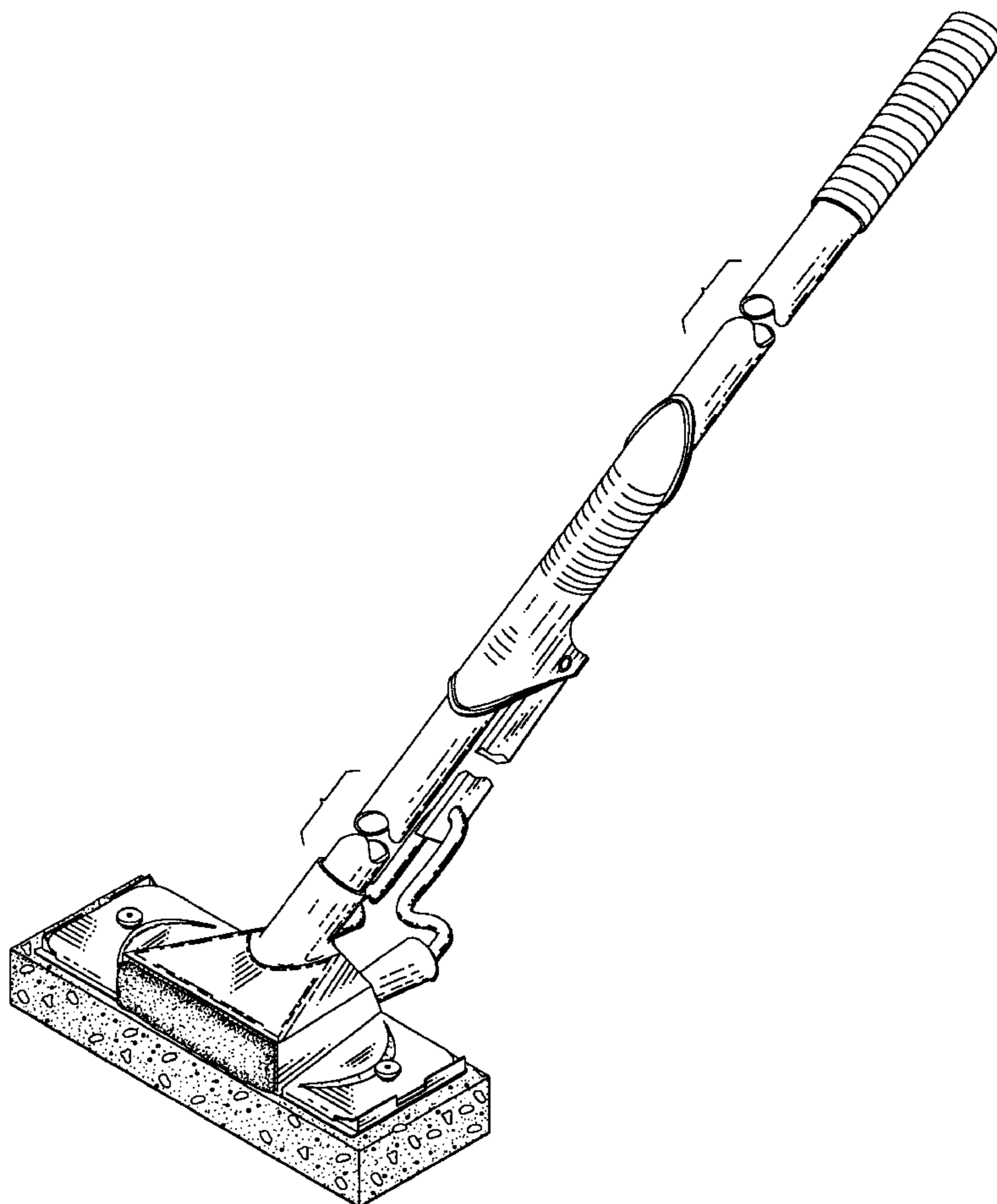
2,643,407	6/1953	Vosbikian et al.	15/119.2
2,716,768	9/1955	Schwartz et al.	15/119.2
2,774,091	12/1956	Greenleaf	15/119.2
2,779,959	2/1957	Hvale	15/119.2
2,794,998	6/1957	Watt .	
2,834,035	5/1958	Vosbikian et al. .	
2,835,910	5/1958	Kautenberg .	

FIG. 5 is a rear view of the head of the butterfly sponge mop design; and,

FIG. 6 is an isometric view of the butterfly sponge mop design in a squeezed mop position.

The handle is shown broken away in FIGS. 1 and 6, and partially shown in FIGS. 2, 3, 4 and 5 for convenience of illustration.

1 Claim, 4 Drawing Sheets



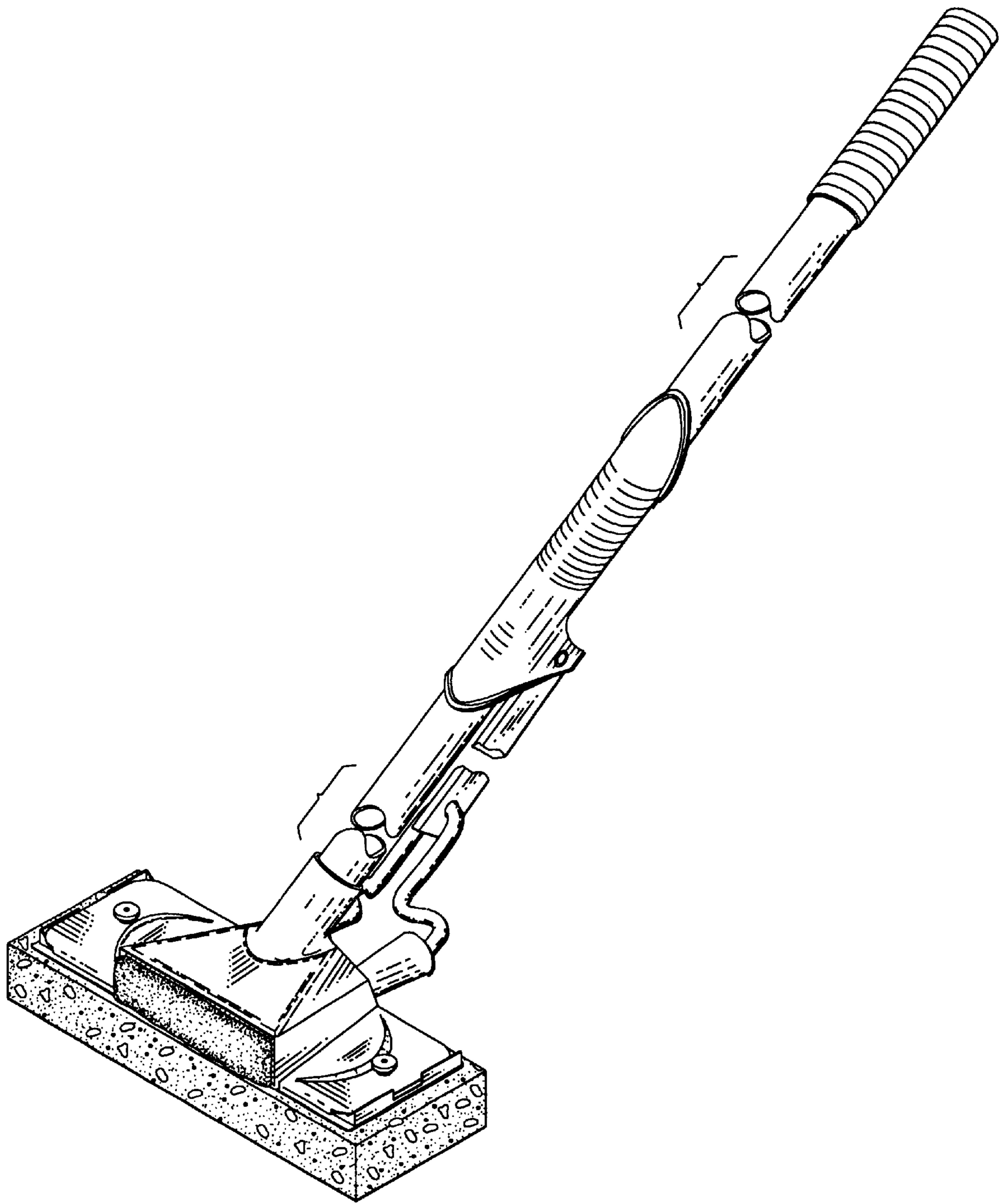


FIG. 1

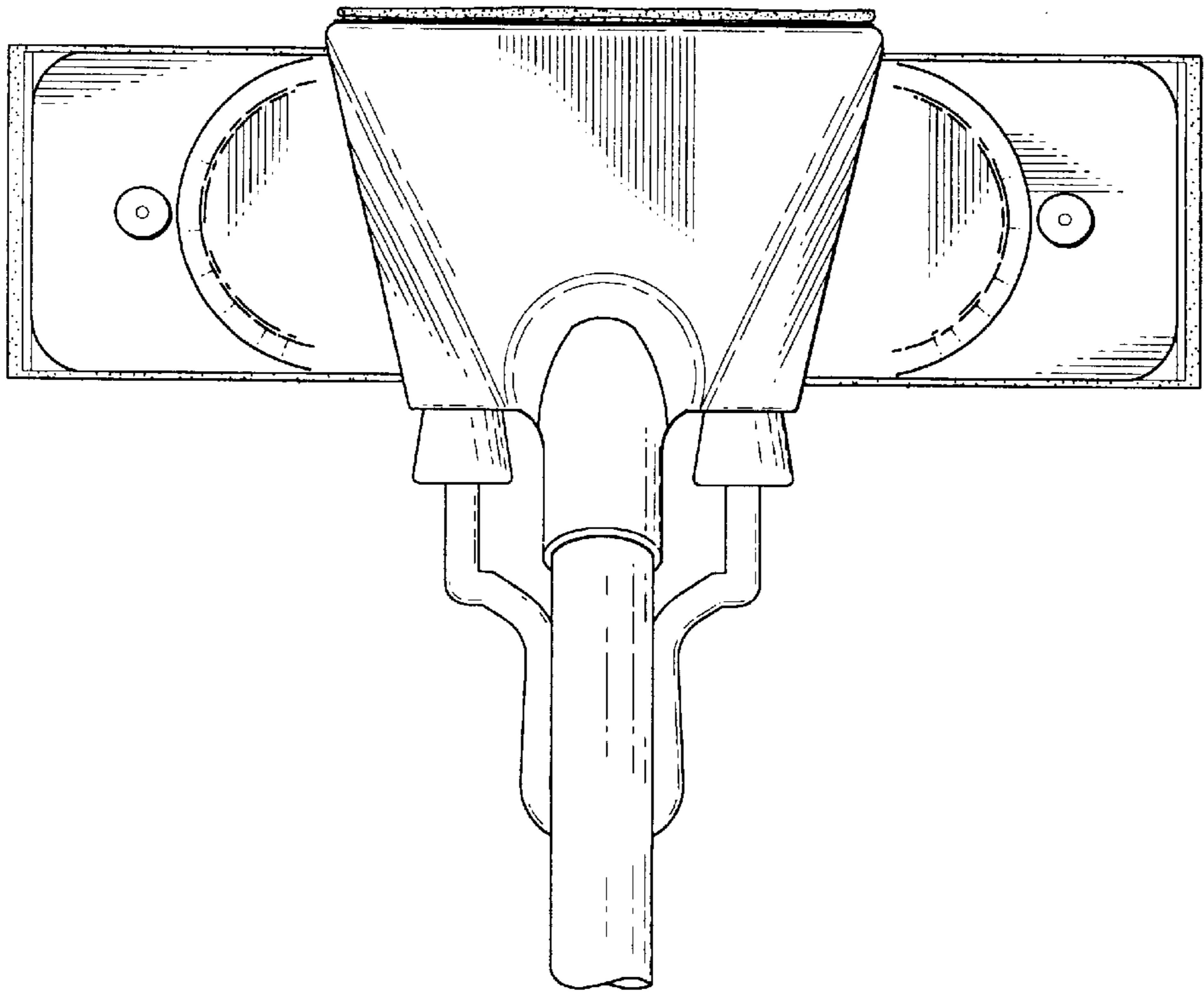


FIG. 2

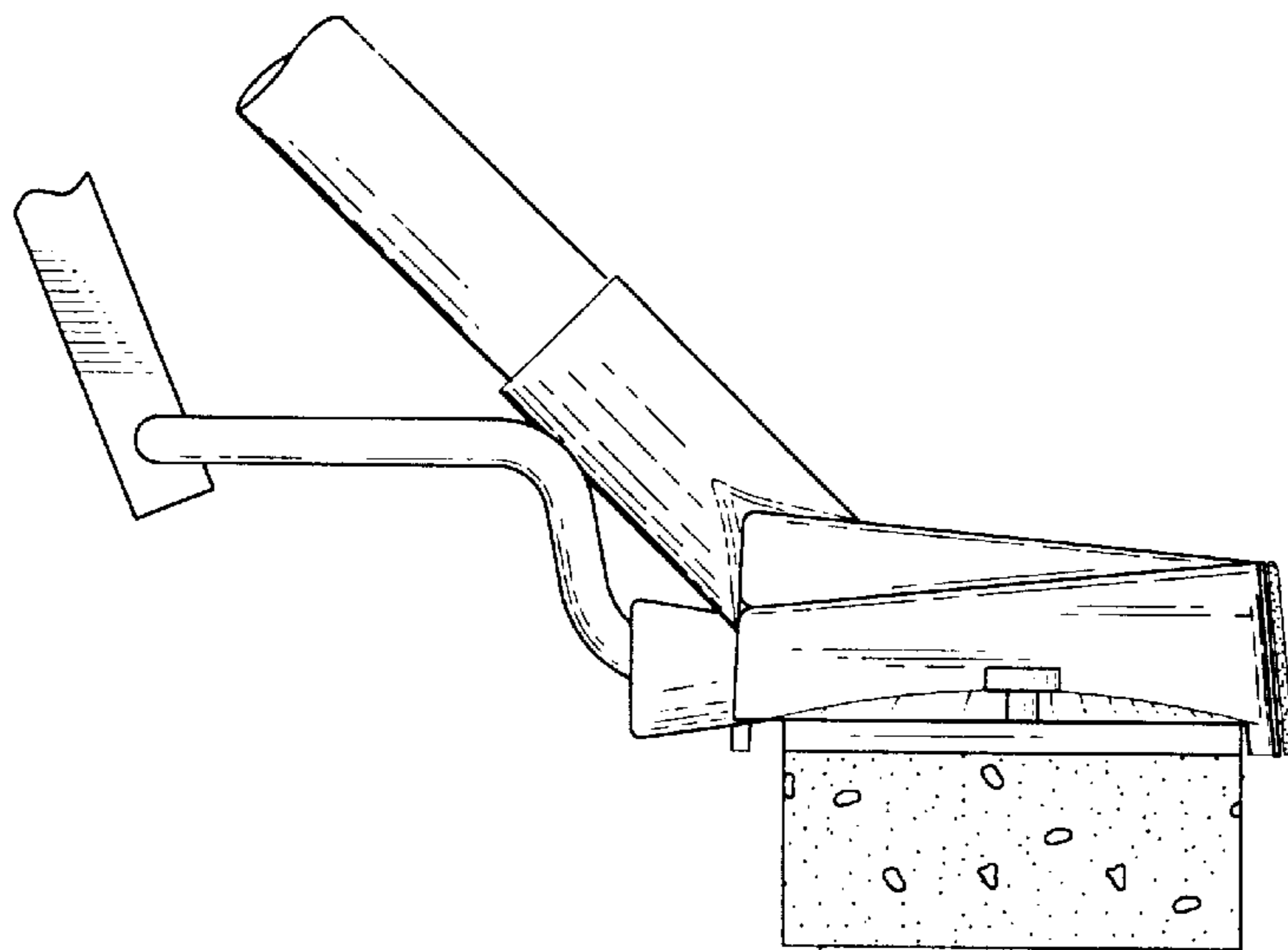


FIG. 3

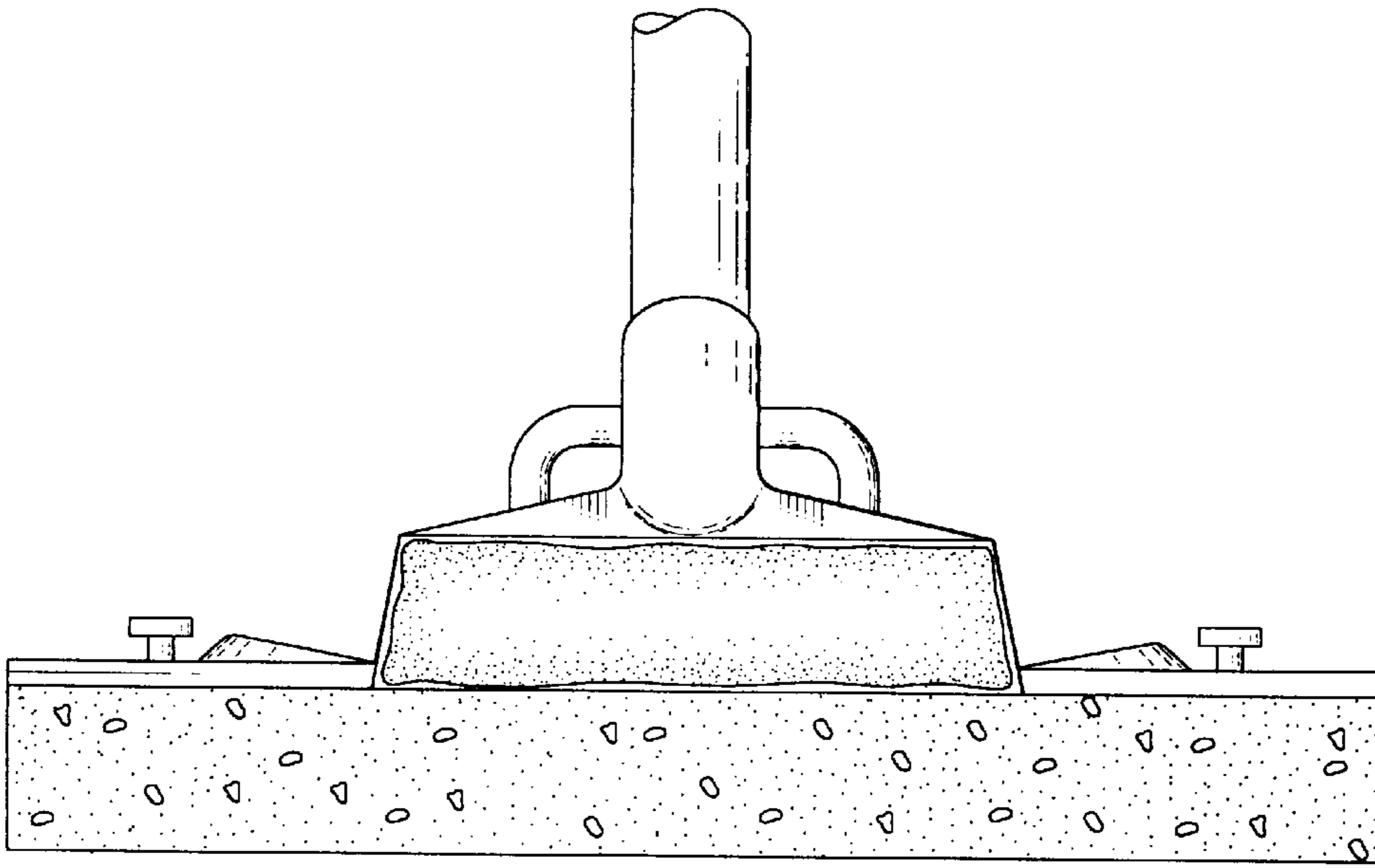


FIG. 4

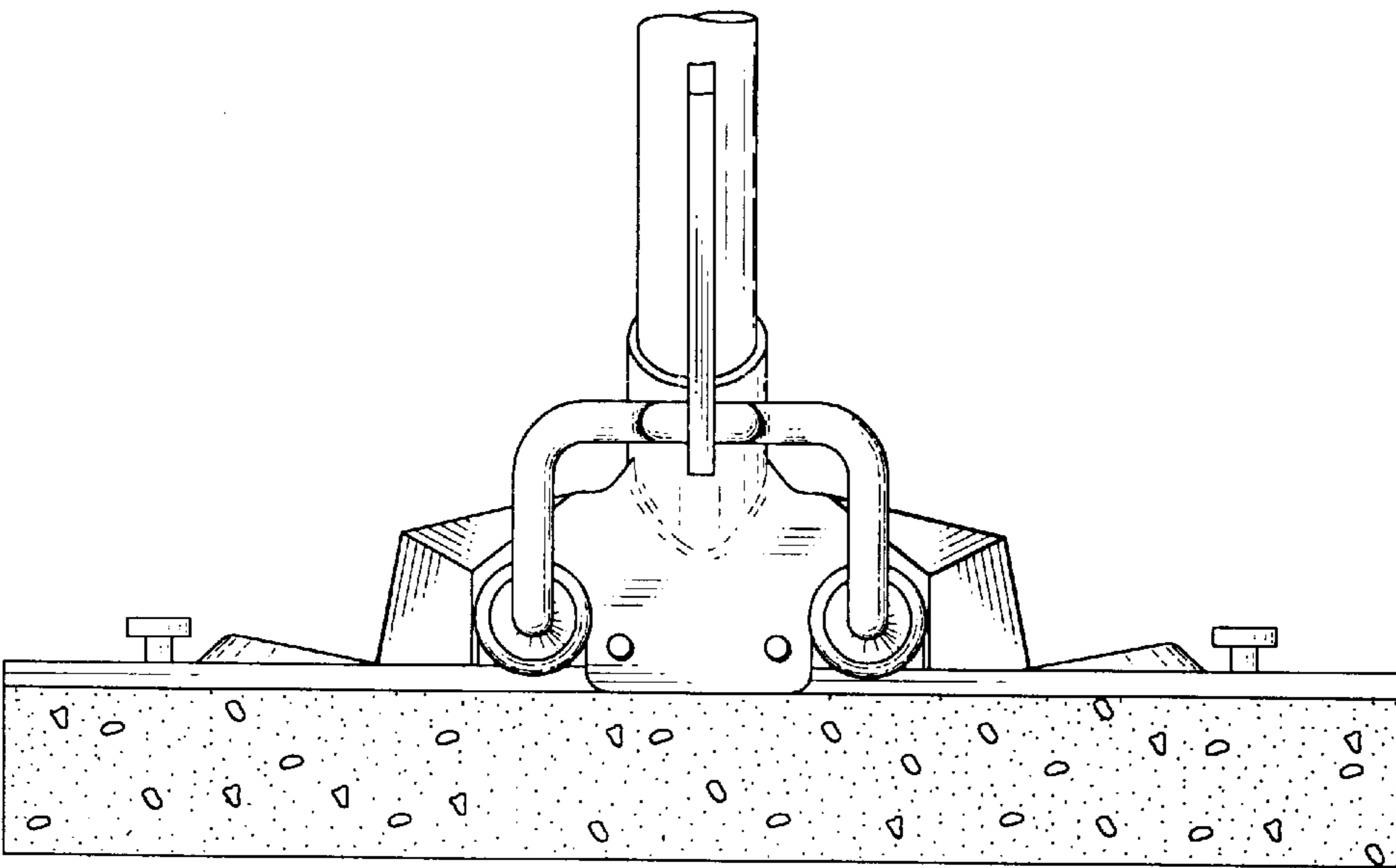


FIG. 5

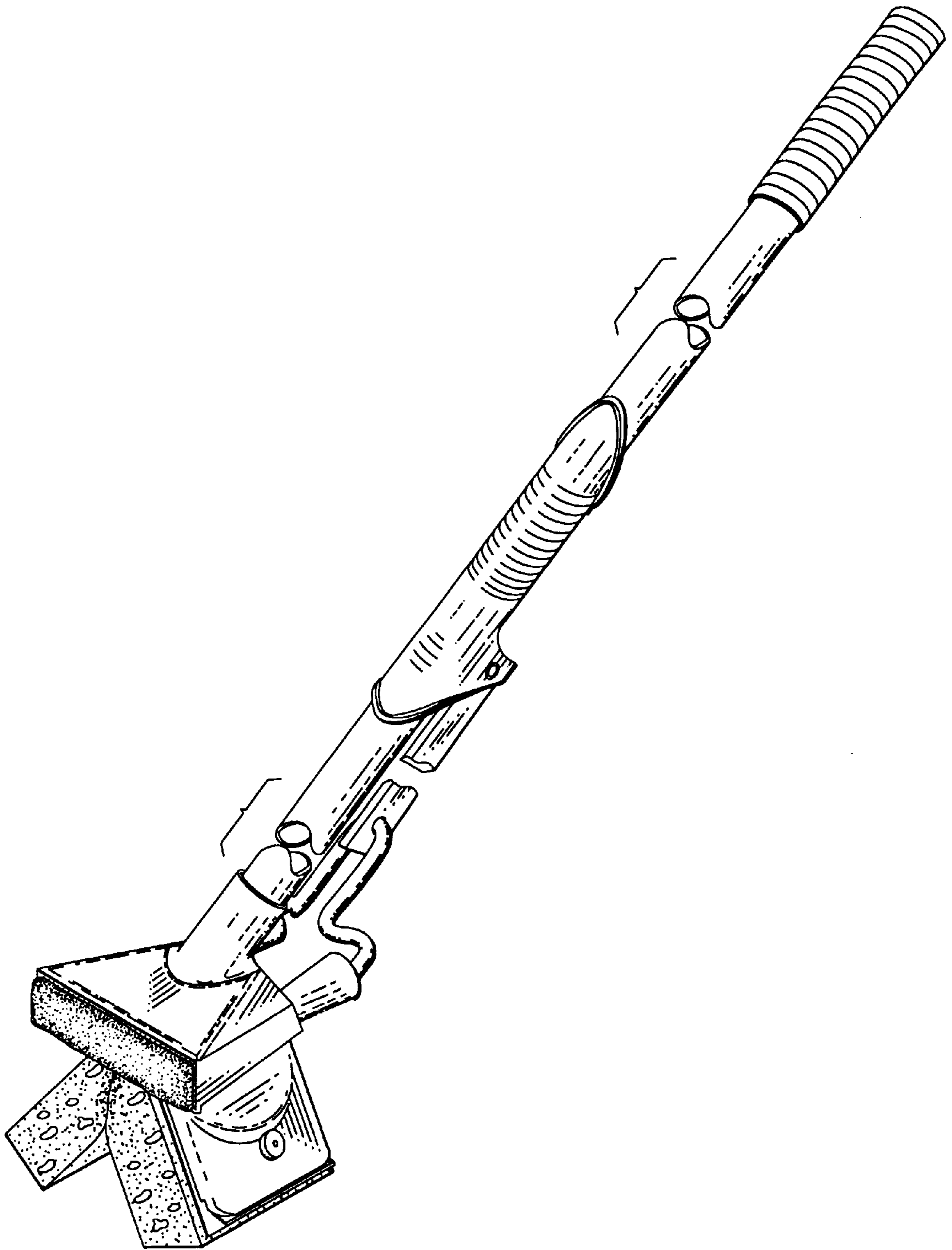


FIG. 6