



US00D420774S

# United States Patent [19] Schupp

[11] **Patent Number: Des. 420,774**

[45] **Date of Patent: \*\* Feb. 15, 2000**

[54] **VACUUM BROOM**

[75] Inventor: **Andreas Schupp**, New Territories, The Hong Kong Special Administrative Region of the People's Republic of China

[73] Assignee: **Techtronic Industries Co., Ltd.**, New Territories, The Hong Kong Special Administrative Region of the People's Republic of China

[\*\*] Term: **14 Years**

[21] Appl. No.: **29/092,365**

[22] Filed: **Aug. 14, 1998**

[51] **LOC (7) Cl.** ..... **15-05**

[52] **U.S. Cl.** ..... **D32/22**

[58] **Field of Search** ..... D32/21, 22, 50, D32/51; D4/100; 15/350, 344, 329, 320-321, 144.4, 398, 410, 246, 400

D. 383,578	9/1997	Ho	.....	D32/51
D. 384,506	10/1997	Ferrari	.....	D4/100
D. 398,099	9/1998	Leung	.....	D32/22
D. 406,420	3/1999	Sin	.....	D32/22
5,722,112	3/1998	Scanni et al.	.....	15/344
5,839,158	11/1998	Schupp et al.	.....	15/350

*Primary Examiner*—Ruth McInroy  
*Attorney, Agent, or Firm*—Leydig, Voit & Mayer, Ltd.

### [57] CLAIM

The ornamental design for a vacuum broom, as shown and described.

### DESCRIPTION

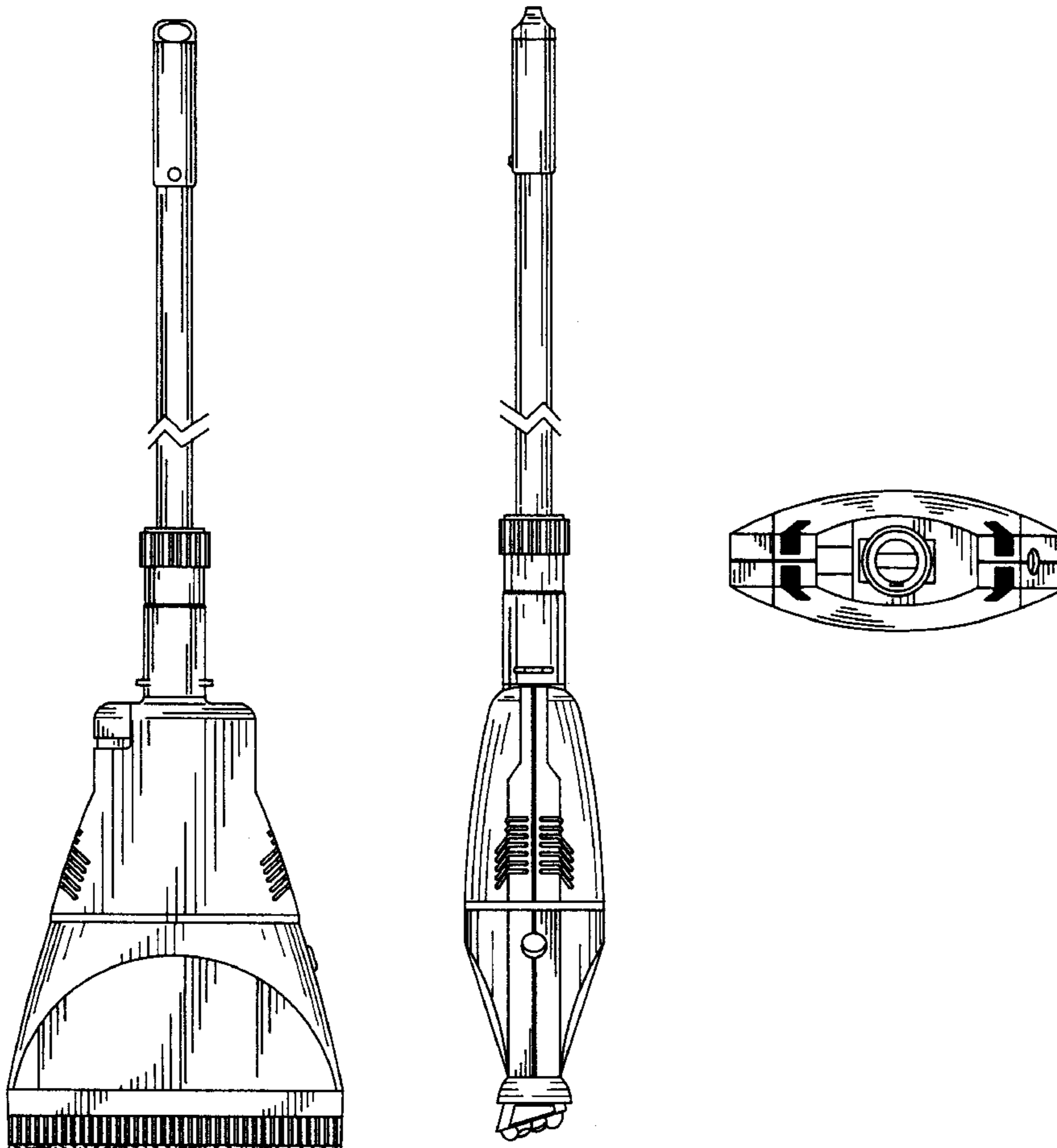
FIG. 1 is a front elevational view of a vacuum broom showing my new design;  
FIG. 2 is a right side elevational view thereof;  
FIG. 3 is a rear elevational view thereof;  
FIG. 4 is a left side elevational view thereof; and,  
FIG. 5 is a plan view thereof.

### [56] References Cited

#### U.S. PATENT DOCUMENTS

D. 370,322 5/1996 Ferrari ..... D32/50

**1 Claim, 2 Drawing Sheets**



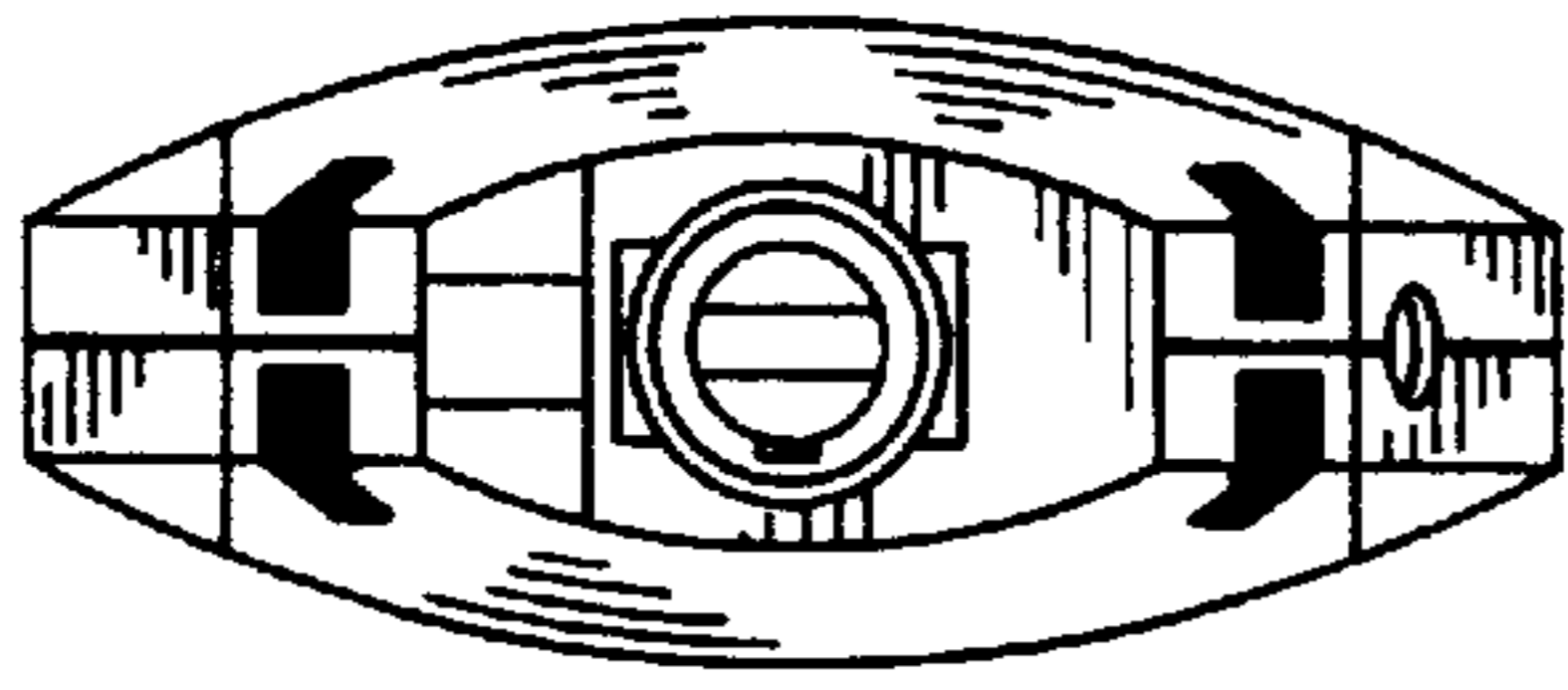


FIG. 5

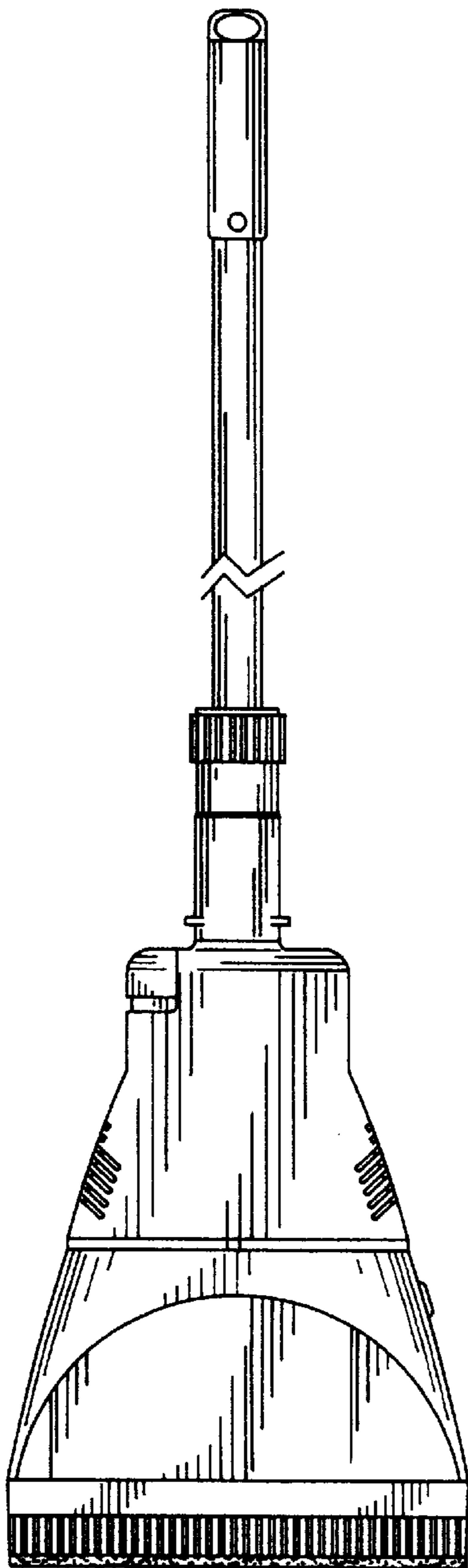


FIG. 1

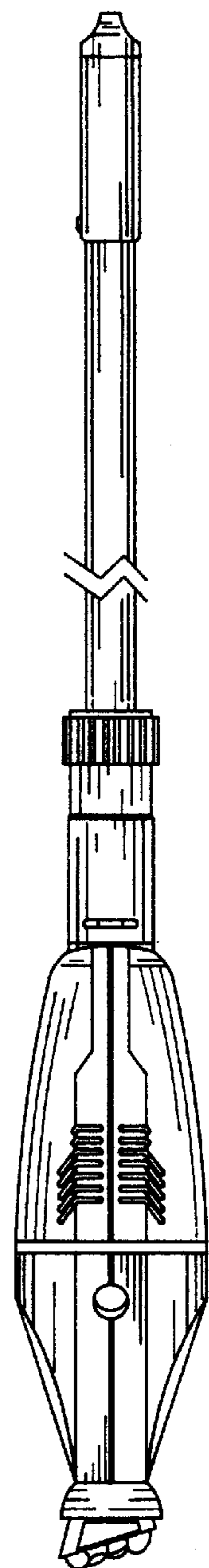


FIG. 2

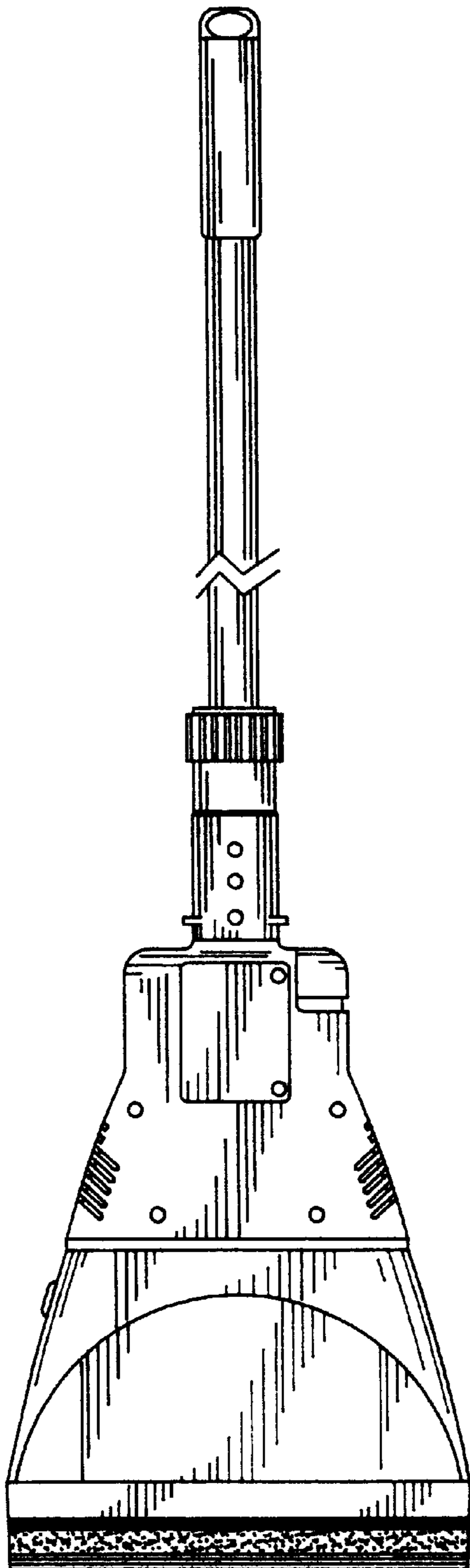


FIG. 3

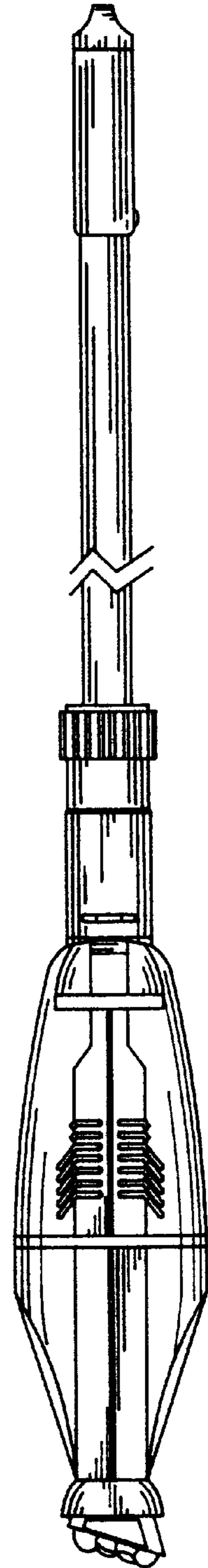


FIG. 4