



US00D420770S

United States Patent [19]

[11] **Patent Number: Des. 420,770**

Burns

[45] **Date of Patent: ** Feb. 15, 2000**

[54] **TOP PORTION OF A PROTECTIVE RESPIRATORY CAP**

[75] Inventor: **James A. Burns**, Lake Elmo, Minn.

[73] Assignee: **3M Innovative Properties Company**, St. Paul, Minn.

[**] Term: **14 Years**

[21] Appl. No.: **29/084,785**

[22] Filed: **Mar. 10, 1998**

[51] **LOC (7) Cl.** **29-02**

[52] **U.S. Cl.** **D29/122; D29/102**

[58] **Field of Search** D29/102-107, D29/110, 122; 2/410, 5, 6.6, 424, 425, 455, 9; 128/202.27, 206.24, 206.17, 201.22, 201.24, 201.25, 206.27

[56] **References Cited**

U.S. PATENT DOCUMENTS

D. 190,220	5/1961	Clohesy	D29/102
D. 192,071	1/1962	Tucker	D29/104
D. 216,765	3/1970	DalPiaz	D29/102
D. 240,310	6/1976	Sinclair	D29/103
D. 277,425	2/1985	Higginson	D29/104
D. 299,765	2/1989	Lewis et al.	D29/104
D. 370,308	5/1996	Nilsson	D29/102
D. 375,826	11/1996	Summers	D2/882

OTHER PUBLICATIONS

Product Information: "Pureflo Powered Respirators," Helmet Integrated Systems Ltd., 13 pages.
Product information: "Cobra Powered Helmet Respirators," MSA.

Product Information: "AH29 Air Supplied Airstream," Airstream Anti Dust Helmet, Racal.

Product Information: "The Dustmaster System," Arco.

Product Information: "Breathe Easy Plus," 1 BE1+Helmet System, Racal.

Product Information: Helmet product literature, Kasco, 7 pages.

Primary Examiner—Ruth McInroy
Attorney, Agent, or Firm—James A. Rogers

[57] **CLAIM**

The ornamental design for a top portion of a protective respiratory cap, as shown and described.

DESCRIPTION

FIG. 1 is a perspective view of a top portion of a protective respiratory cap showing our new design;

FIG. 2 is a front elevational view thereof;

FIG. 3 is a top plan view thereof;

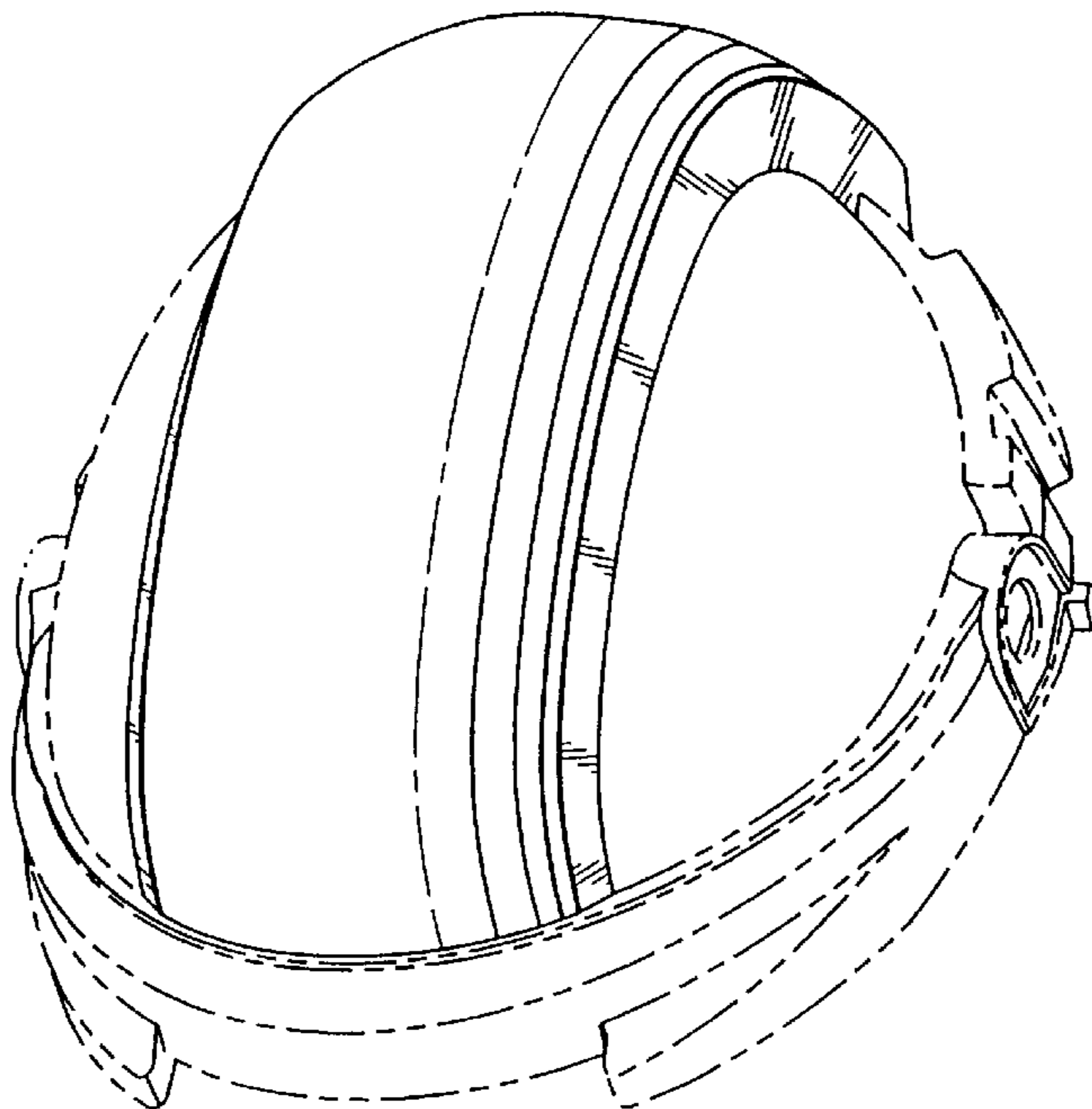
FIG. 4 is a bottom plan view thereof;

FIG. 5 is a rear elevational view thereof; and,

FIG. 6 is a left side elevational view thereof, the right side being a mirror image.

The portion of the drawings shown in phantom is for illustrative purposes only and is not intended to form part of the claimed design.

1 Claim, 4 Drawing Sheets



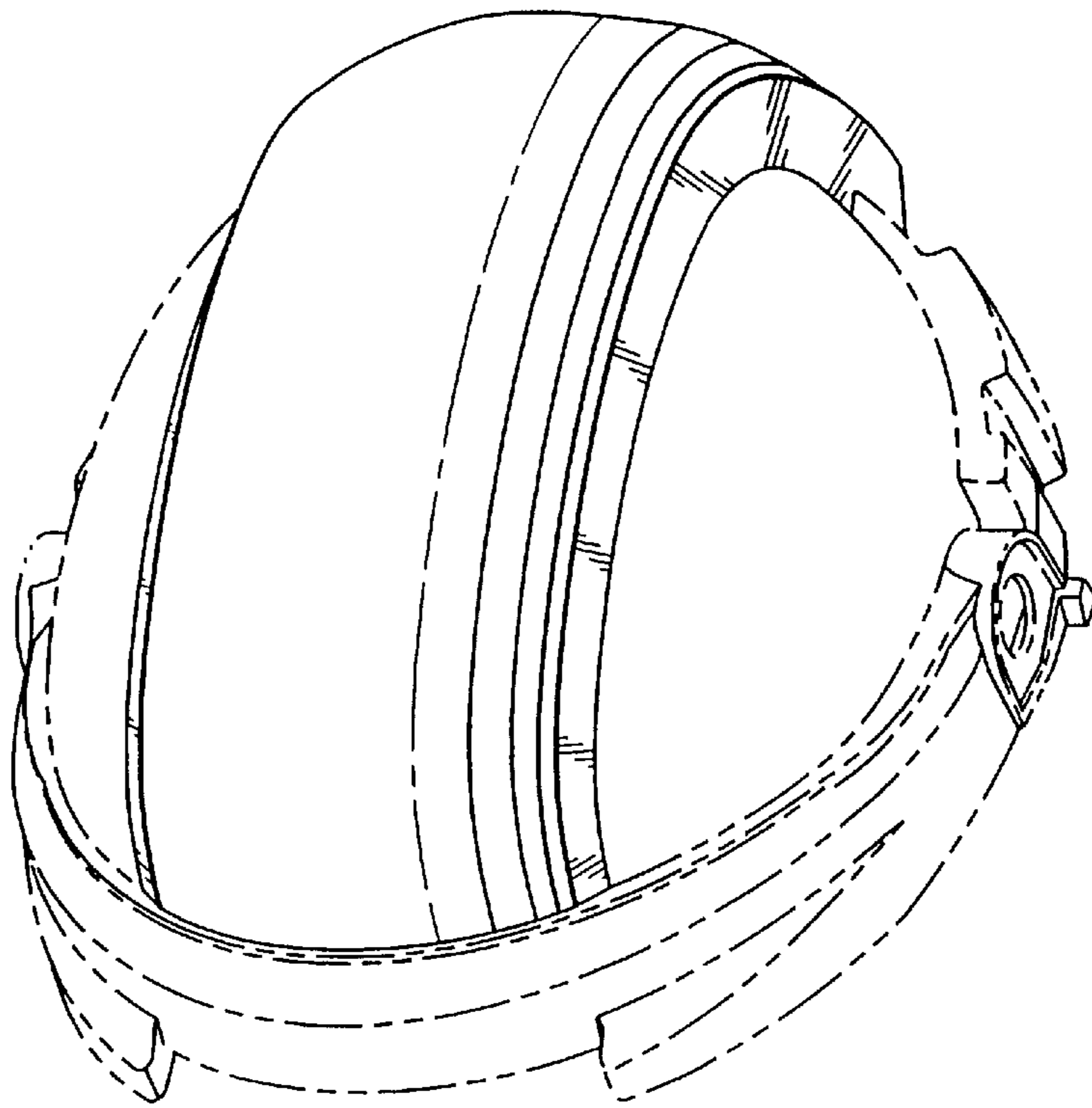


Fig. 1

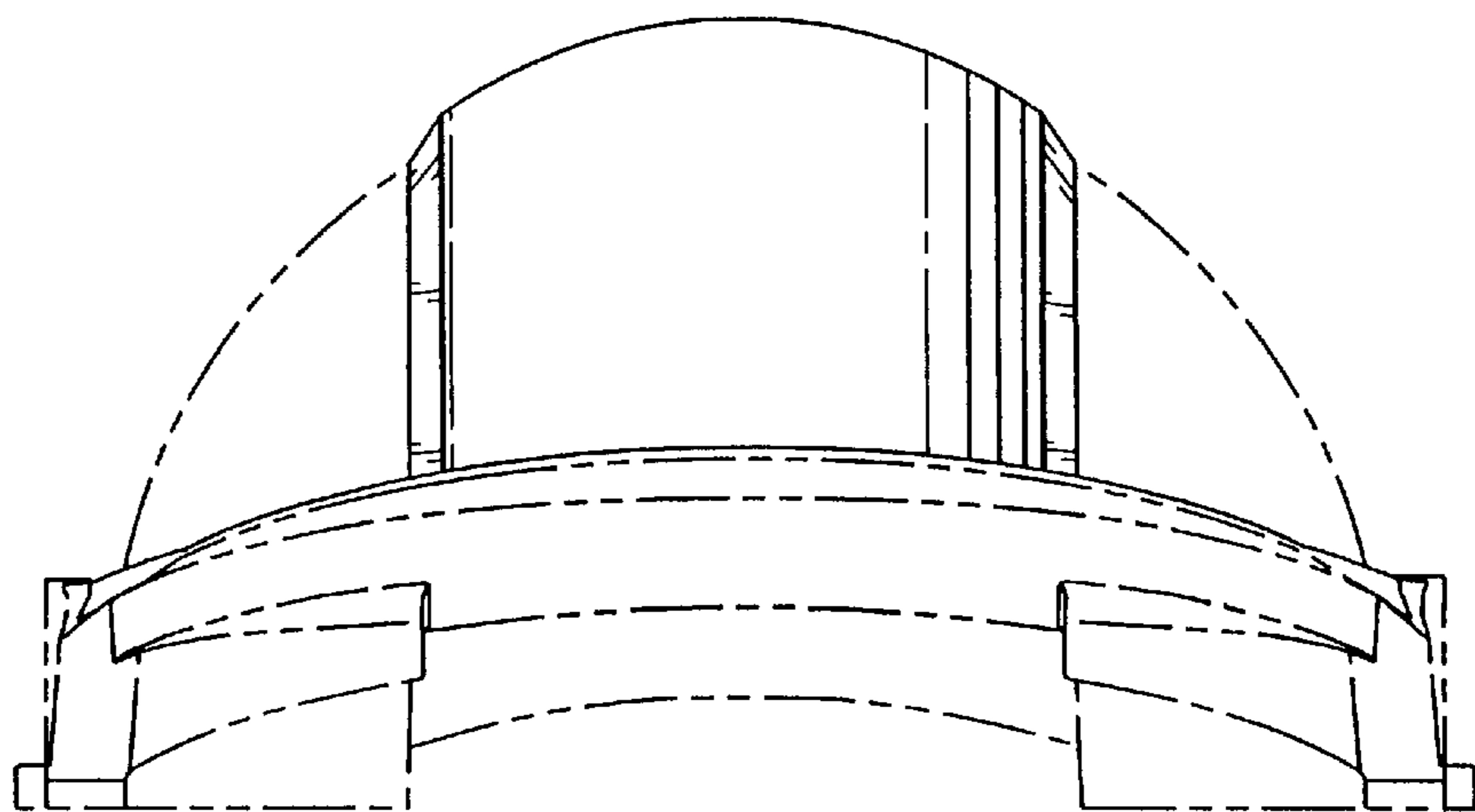


Fig. 2

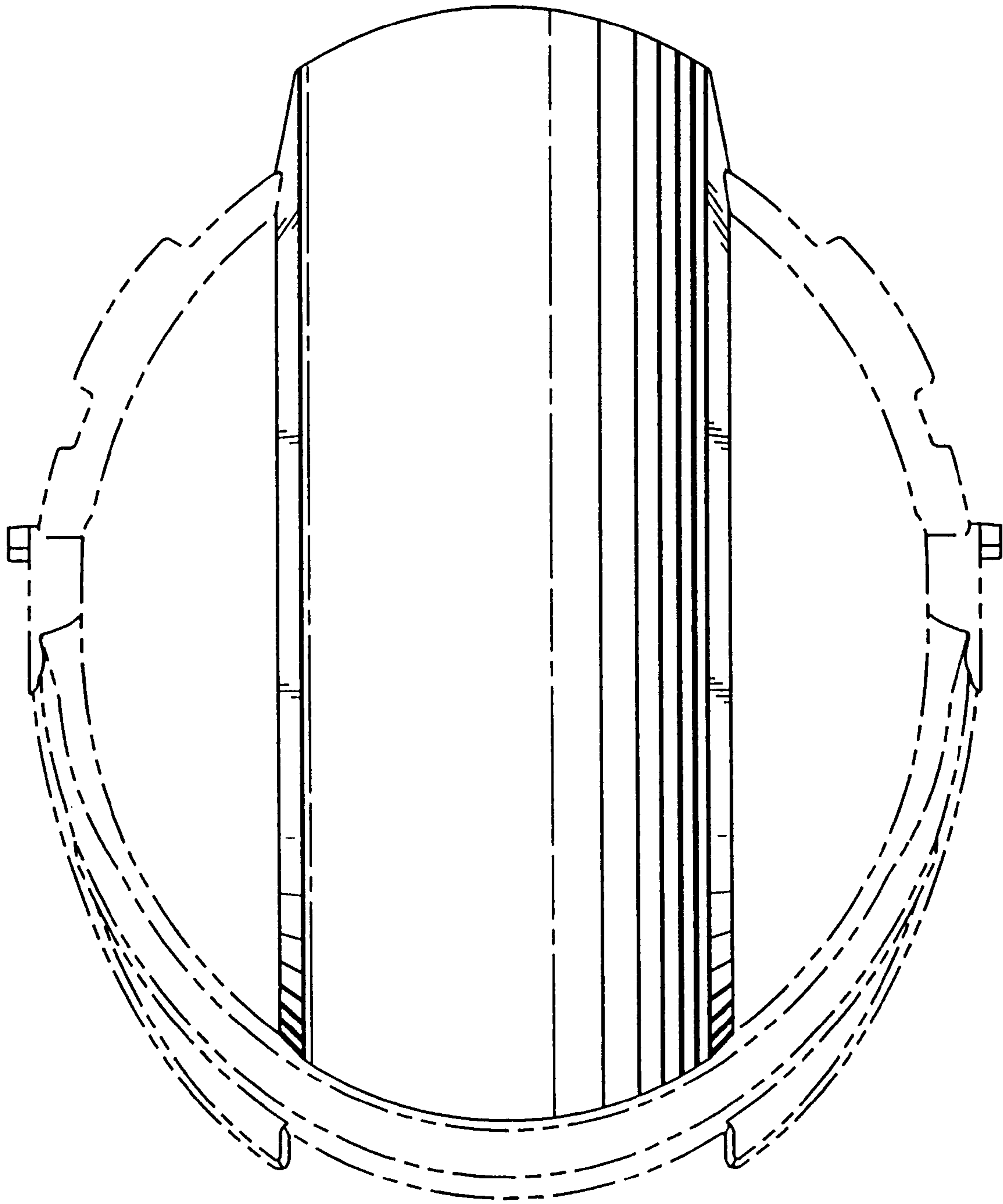


Fig. 3

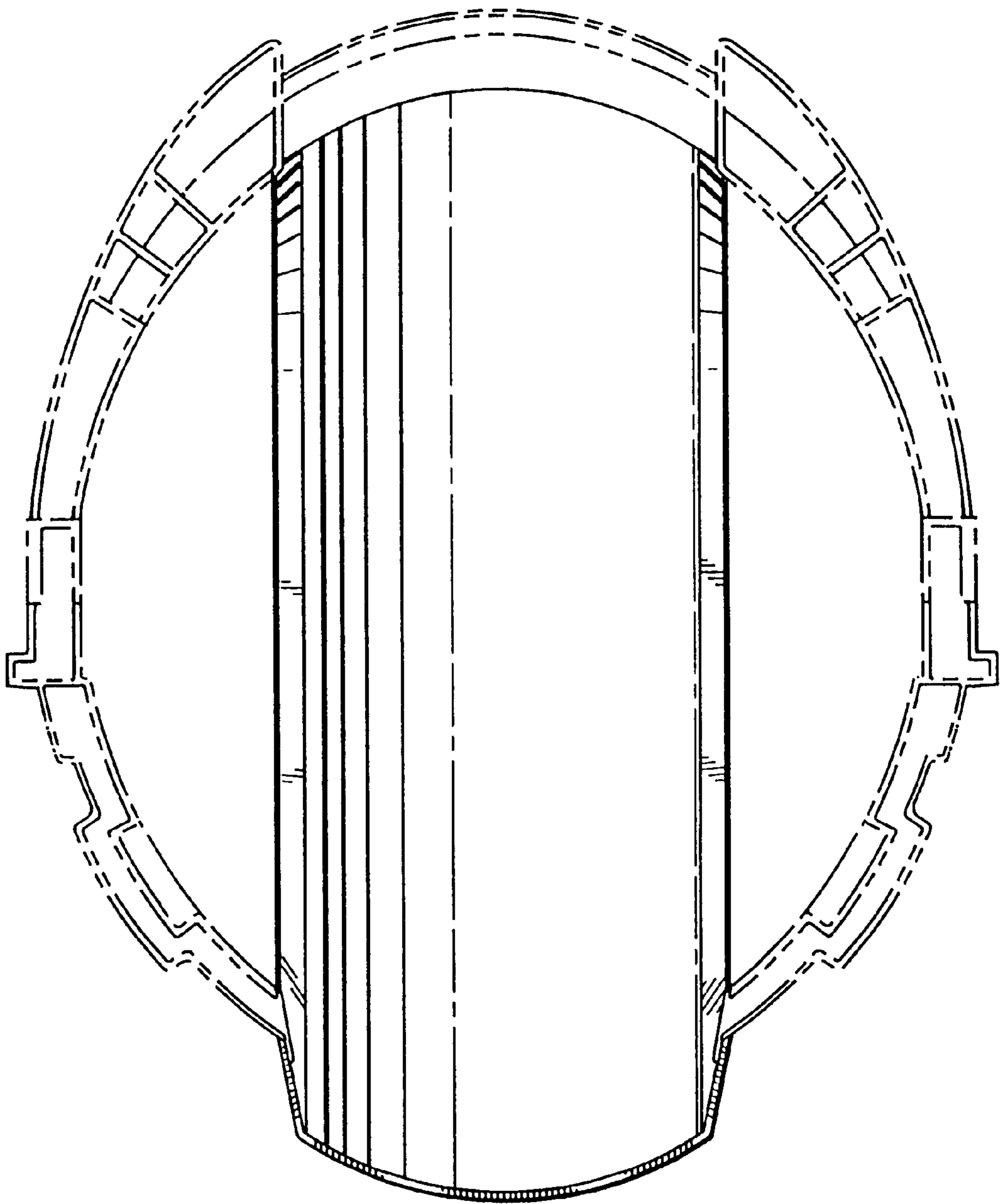


Fig. 4

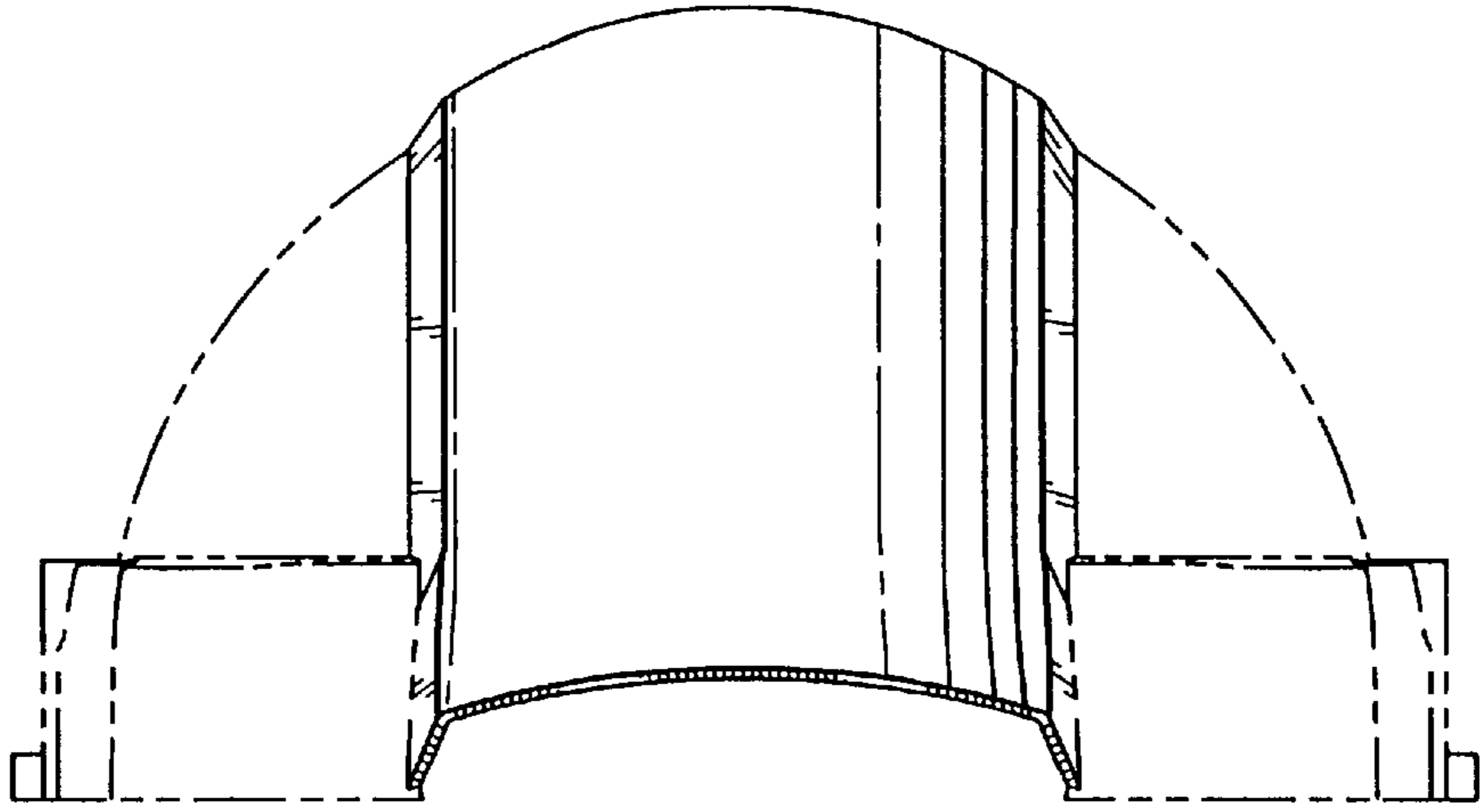


Fig. 5

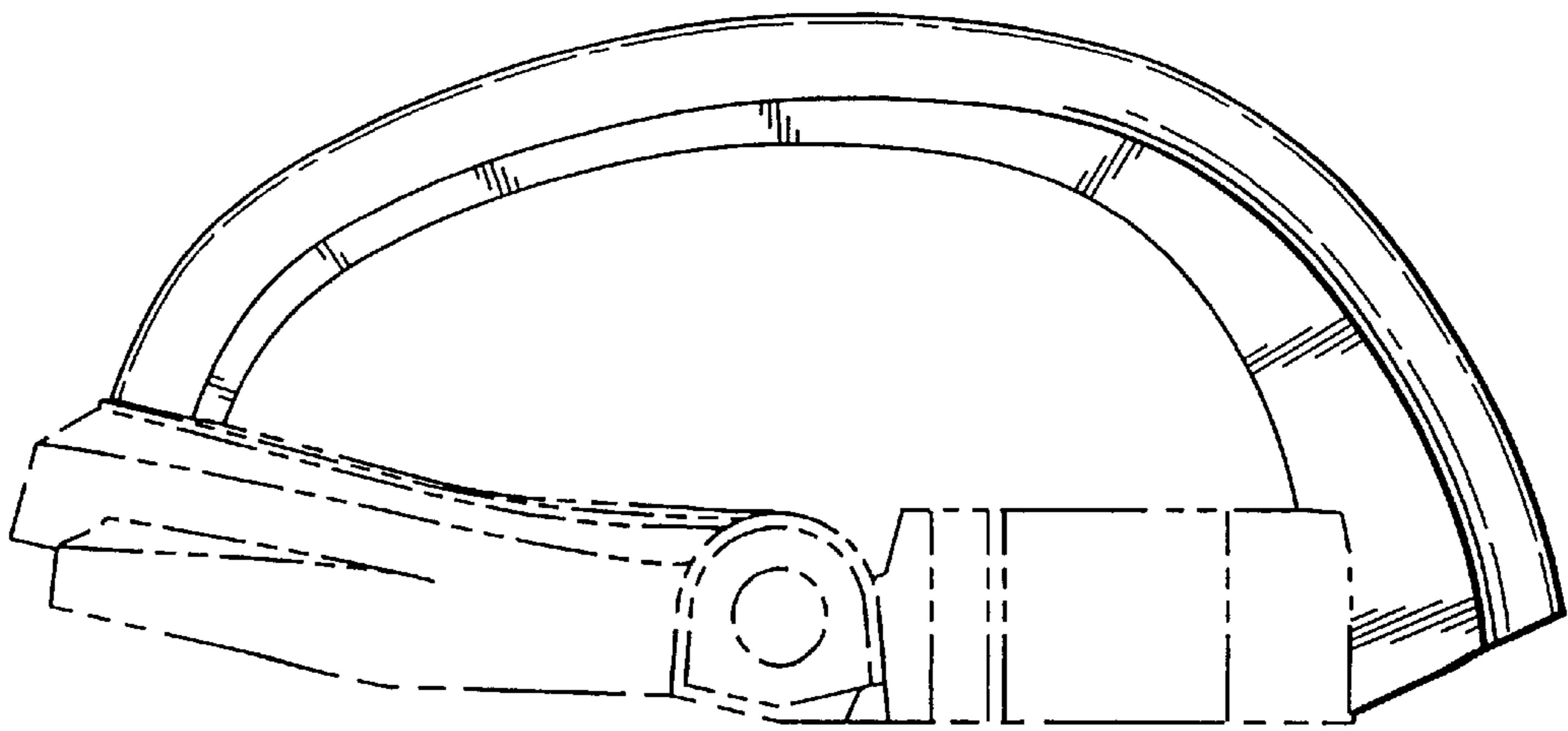


Fig. 6