



US00D420761S

United States Patent [19] Dahl

[11] **Patent Number: Des. 420,761**

[45] **Date of Patent: ** Feb. 15, 2000**

[54] **HEADLIGHT LENS FOR SKID STEER
LOADER CAB**

[75] Inventor: **Jeffrey A. Dahl**, Lisbon, N. Dak.

[73] Assignee: **Clark Equipment Company**, Woodcliff
Lake, N.J.

[**] Term: **14 Years**

[21] Appl. No.: **29/100,253**

[22] Filed: **Feb. 8, 1999**

[51] **LOC (7) Cl.** **27-05**

[52] **U.S. Cl.** **D26/139**

[58] **Field of Search** D26/28-35, 118-124,
D26/139; 362/255, 326, 327, 330-340,
350, 355, 359

[56] **References Cited**

U.S. PATENT DOCUMENTS

D. 284,314	6/1986	Gaulik	D26/139
D. 287,414	12/1986	Giles et al.	D26/139
D. 317,926	7/1991	Lynnes et al.	D15/25
5,546,286	8/1996	Branham	362/61

OTHER PUBLICATIONS

Brochure on Bobcat Buckets for Loaders from Melroe
Company, dated Oct. 1998.

Brochure on the 600 Series Bobcat Loader from Melroe
Company, dated Jan. 1990.

Options and Accessories Catalog for the Bobcat from Mel-
roe Company, dated Oct. 1996.

Primary Examiner—Marcus A. Jackson
Attorney, Agent, or Firm—Westman, Champlin & Kelly,
P.A.

[57] **CLAIM**

The ornamental design for a headlight lens for skid steer
loader cab, as shown and described.

DESCRIPTION

FIG. 1 is a perspective view of the headlight lens for a skid
steer loader cab embodying my new design installed in the
corner of a skid steer loader cab represented, the dotted line
representations forming no part of my design;

FIG. 2 is a front perspective view of a headlight lens for a
skid steer loader cab embodying my new design;

FIG. 3 is a front elevational view thereof;

FIG. 4 is a top plan view thereof;

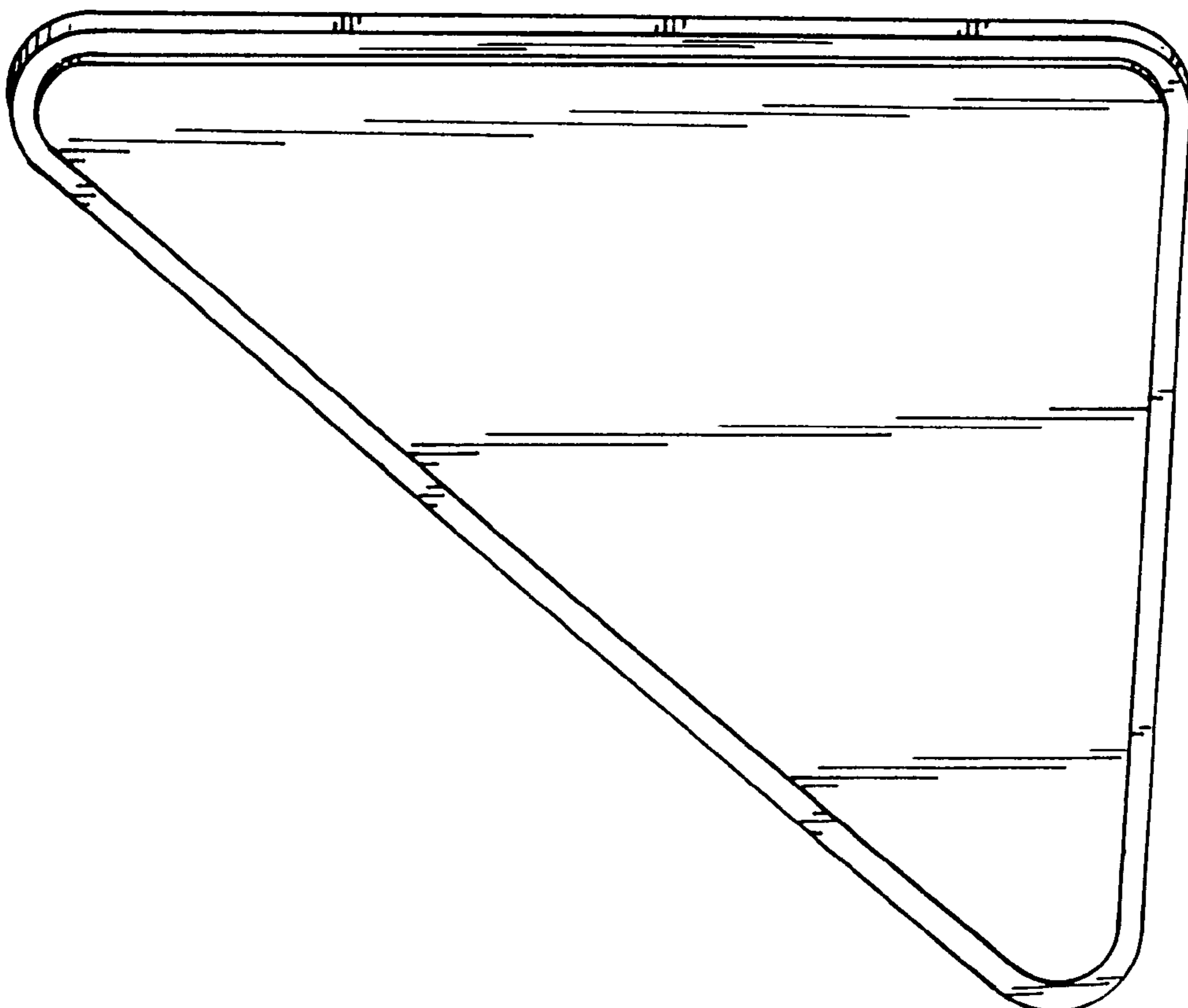
FIG. 5 is a rear elevational view thereof;

FIG. 6 is a bottom plan view thereof;

FIG. 7 is a side elevational view from the left side of FIG.
2; and,

FIG. 8 is a side elevational view thereof from the side
opposite FIG. 7.

1 Claim, 3 Drawing Sheets



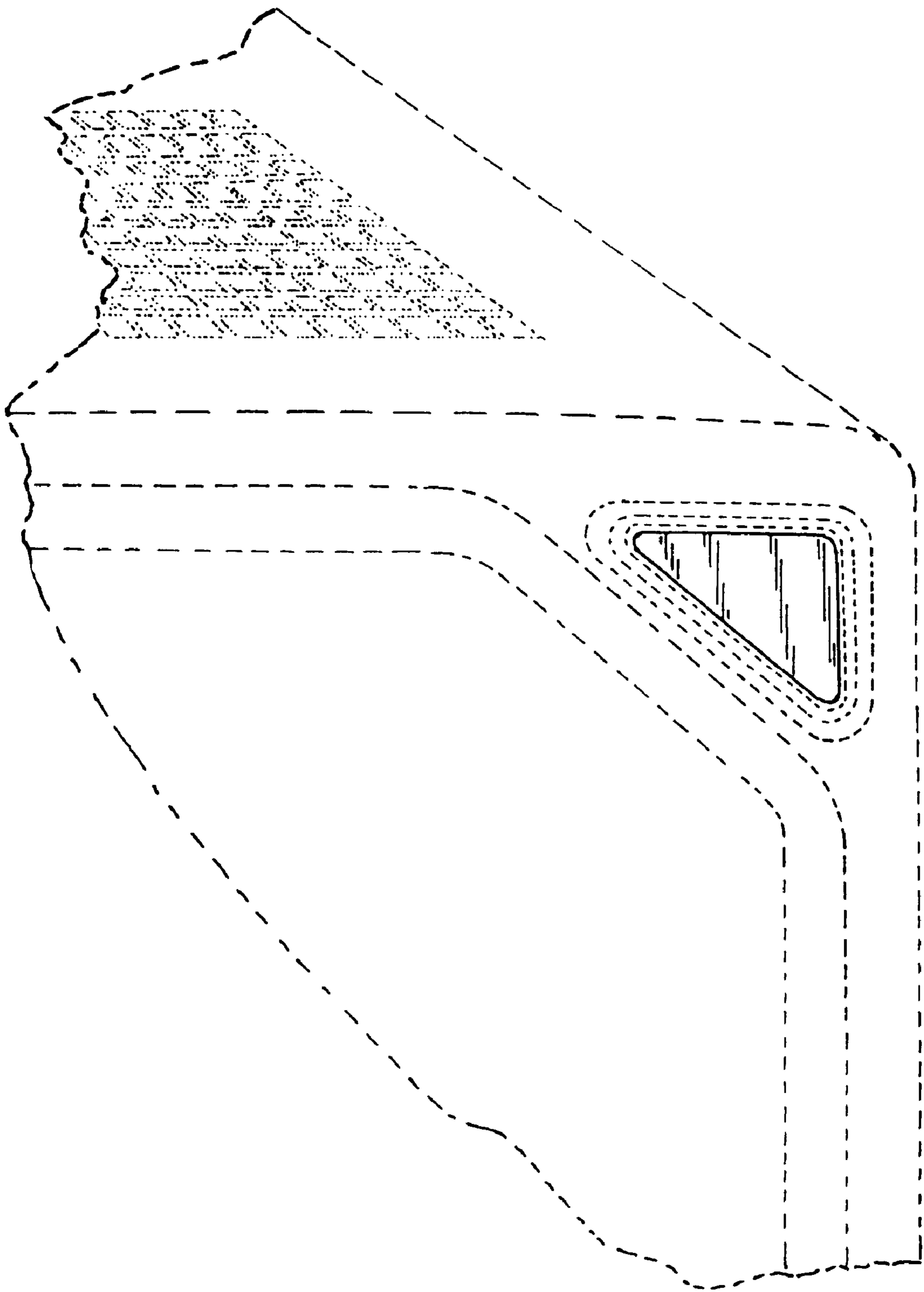


Fig. 1

Fig. 2

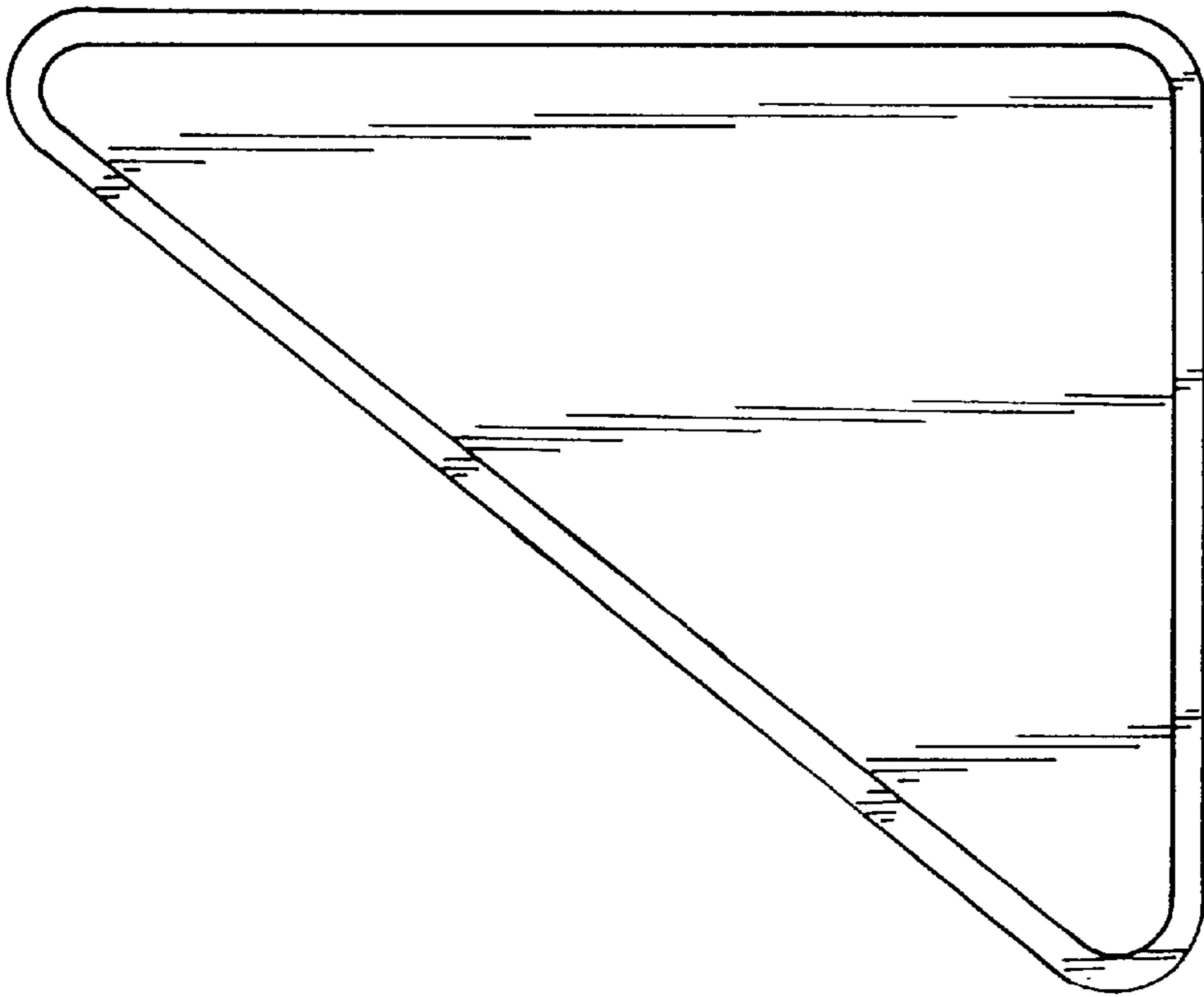
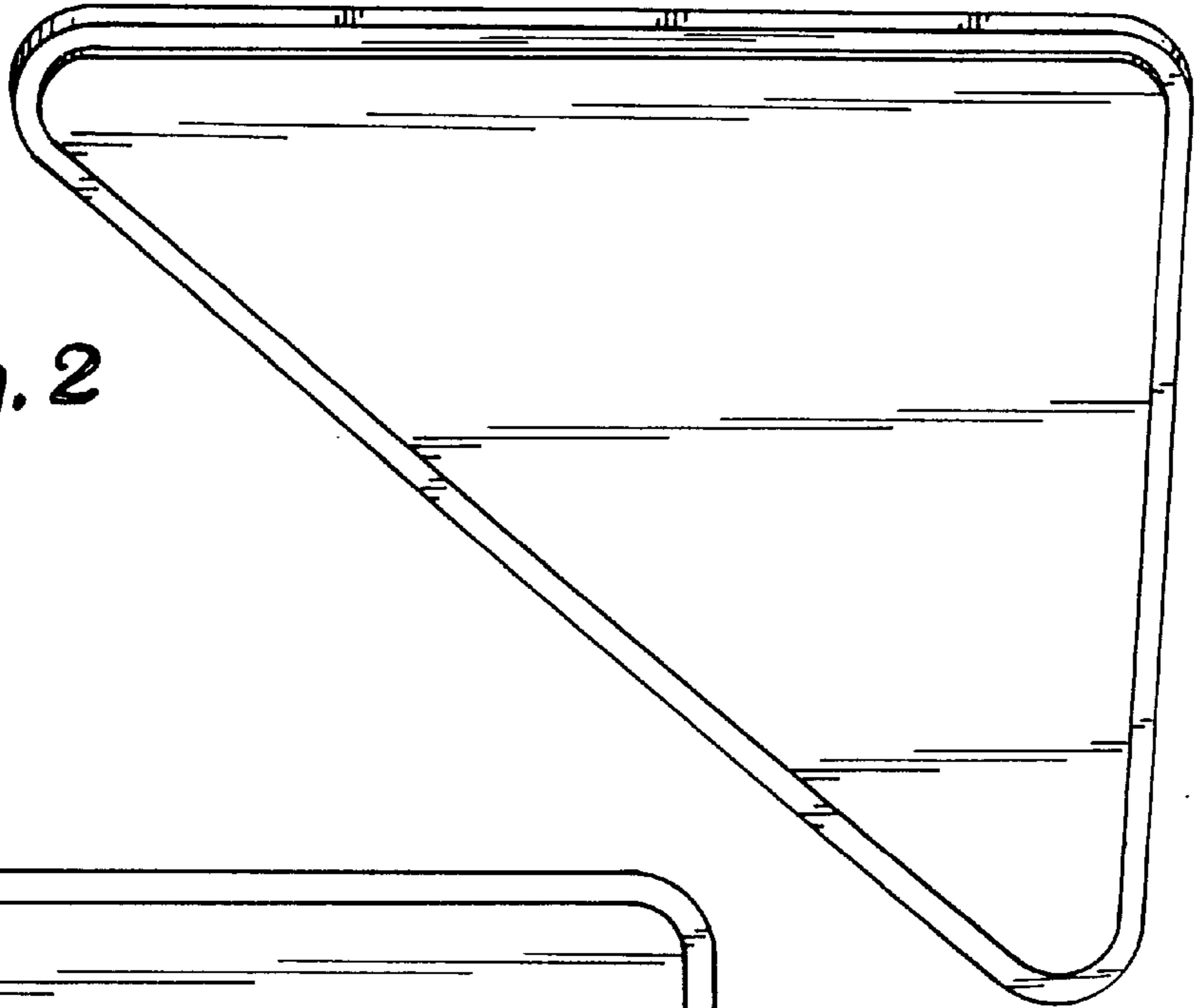


Fig. 3



Fig. 4

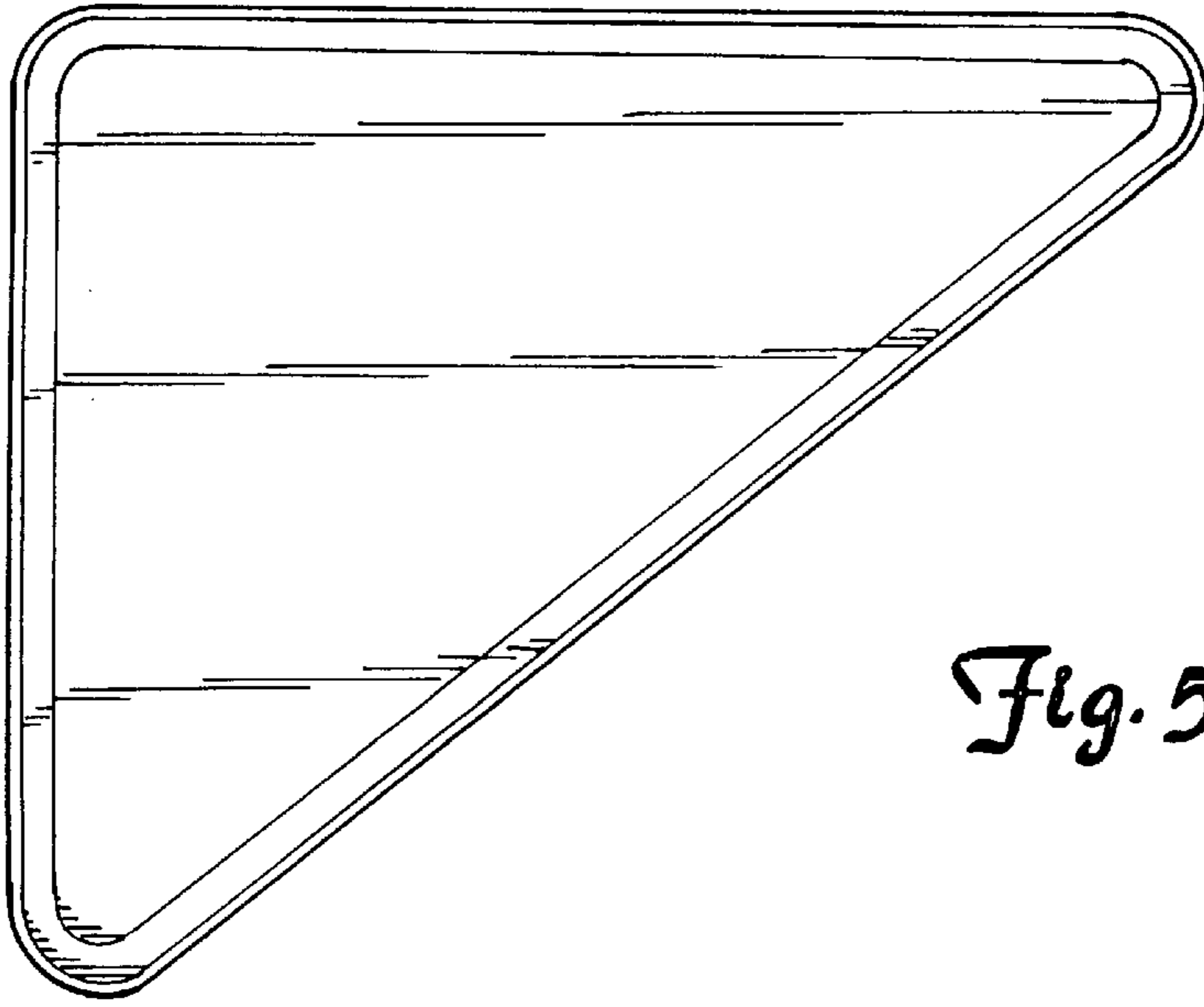


Fig. 5

Fig. 6

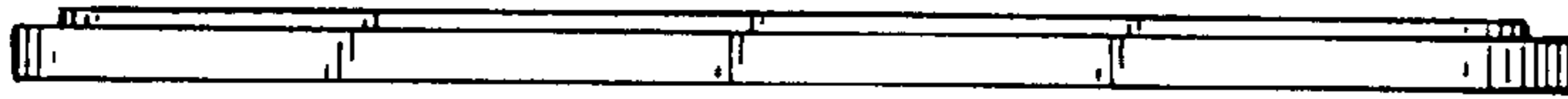


Fig. 7

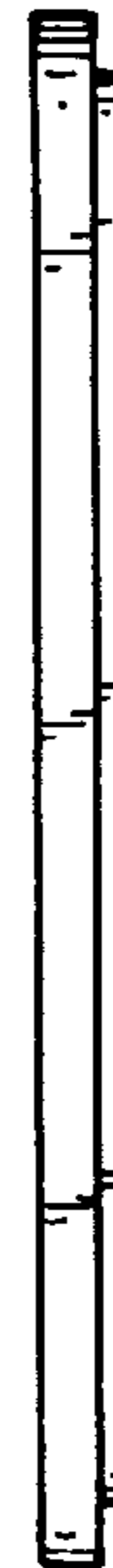


Fig. 8